



US00D447723B1

(12) **United States Design Patent**
Spangler

(10) **Patent No.:** **US D447,723 S**

(45) **Date of Patent:** **** Sep. 11, 2001**

(54) **BICYCLE RACK**

5,098,155 3/1992 Graber 297/217

(75) Inventor: **Bruce A. Spangler**, Madison, WI (US)

OTHER PUBLICATIONS

(73) Assignee: **Madrax, Inc.**, Middleton, WI (US)

“Function First Bike Security” vol. 12, No. 5, *Landscape Architect and Specifier News*, May 1996 issue p. 62.

(**) Term: **14 Years**

“Design News” Nov. 3, 1980, p. 32, *Bicycle Ribbon Rack*.
“The Ribbon® Rack by brandir,” © 1989 Brandir International, Inc., New York, NY.

(21) Appl. No.: **29/057,510**

“Rib Rack™ The Most Functional Bicycle Rack,” c. 1991, Rib Rack, Tucson, AZ.

(22) Filed: **Jul. 26, 1996**

(51) **LOC (7) Cl.** **12-11**

* cited by examiner

(52) **U.S. Cl.** **D12/115**

Primary Examiner—Melody N. Brown

(58) **Field of Search** D12/115; 211/17-22

(74) *Attorney, Agent, or Firm*—Lathrop & Clark

(56) **References Cited**

(57) **CLAIM**

U.S. PATENT DOCUMENTS

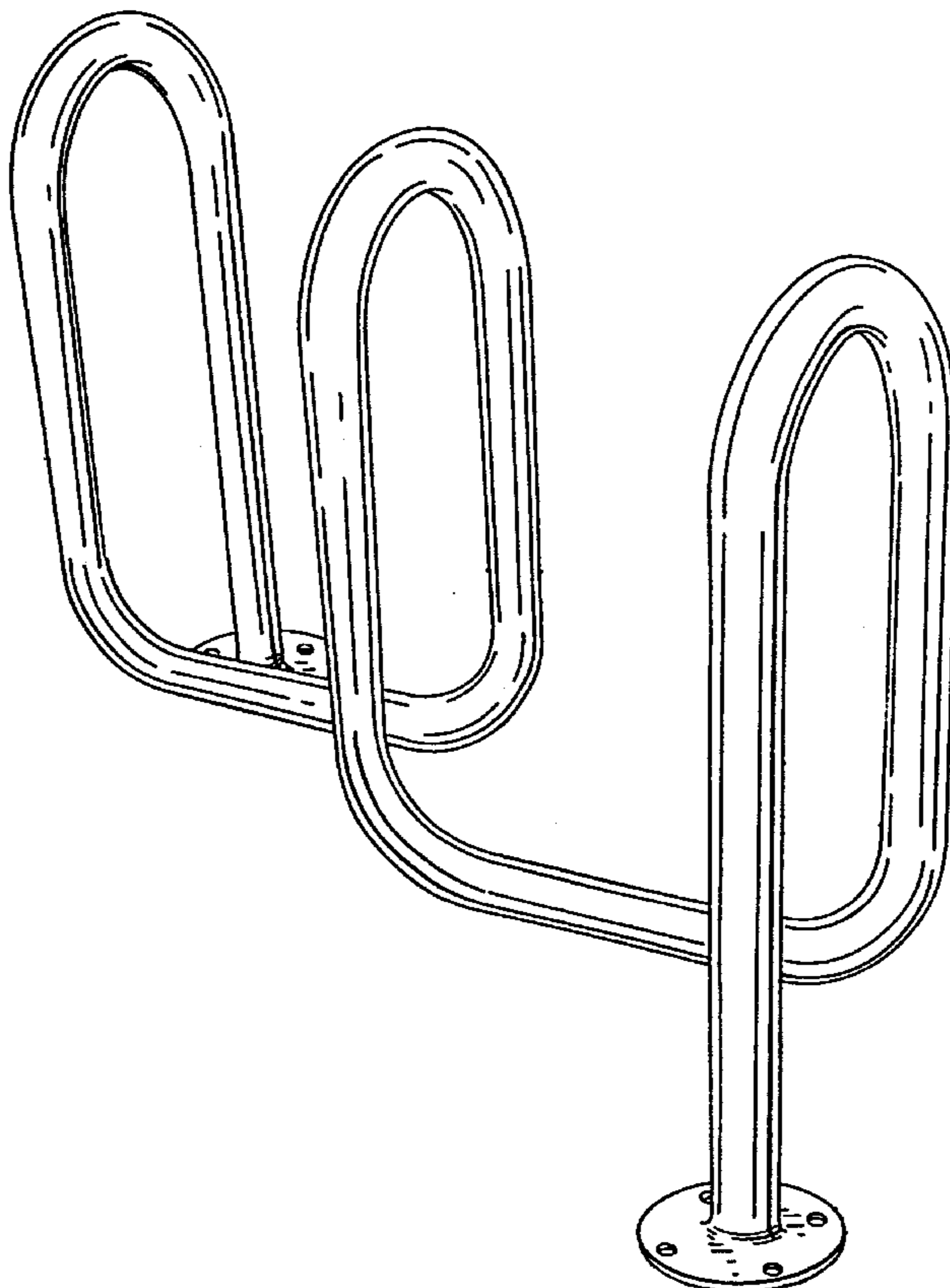
The ornamental design for a bicycle rack, as shown and described.

D. 245,596	8/1977	Cohen et al.	D12/115
D. 262,532	1/1982	Levine	D12/115
D. 269,000	5/1983	Girard	D12/115
D. 302,258	7/1989	Kalisch et al.	D12/115
D. 337,083	7/1993	Rankin	D12/115
D. 341,343	11/1993	Pook	D12/115
D. 367,022	2/1996	Grabner	D12/115
D. 372,889 *	8/1996	Fox	D12/115
2,329,088	9/1943	Schram et al.	211/17
3,202,289	8/1965	Burditt	211/22
3,907,114	9/1975	Ewers	211/20
3,994,400	11/1976	Grabner	211/22
4,306,660	12/1981	Livingston	211/20

DESCRIPTION

FIG. 1 is a top plan view of a bicycle rack showing my new design;
FIG. 2 is a front elevational view thereof, the rear elevational view being identical thereto;
FIG. 3 is a left side elevational view thereof, the right side elevational view thereof being identical thereto; and,
FIG. 4 is a perspective view thereof.

1 Claim, 2 Drawing Sheets



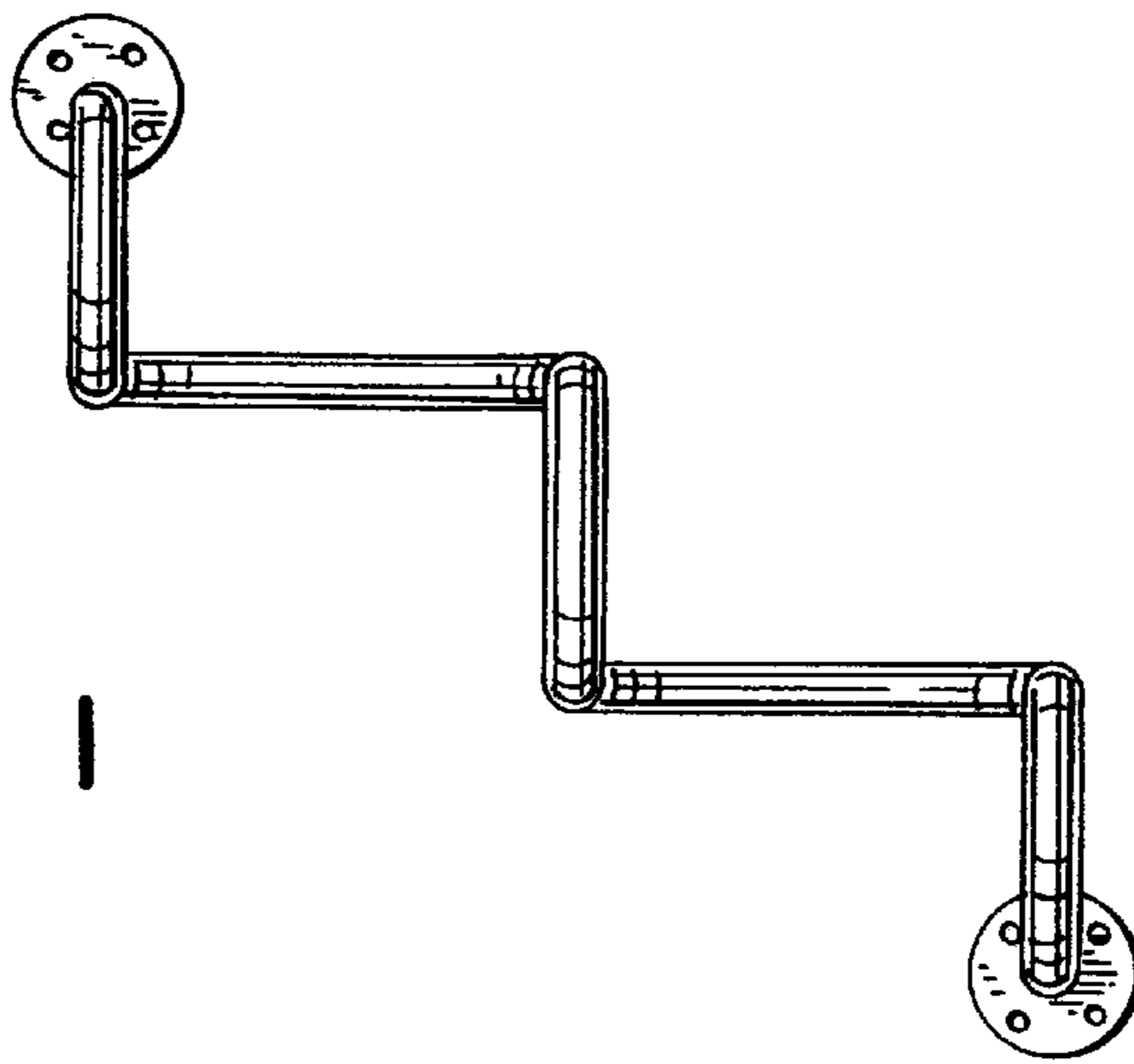


FIG. 1

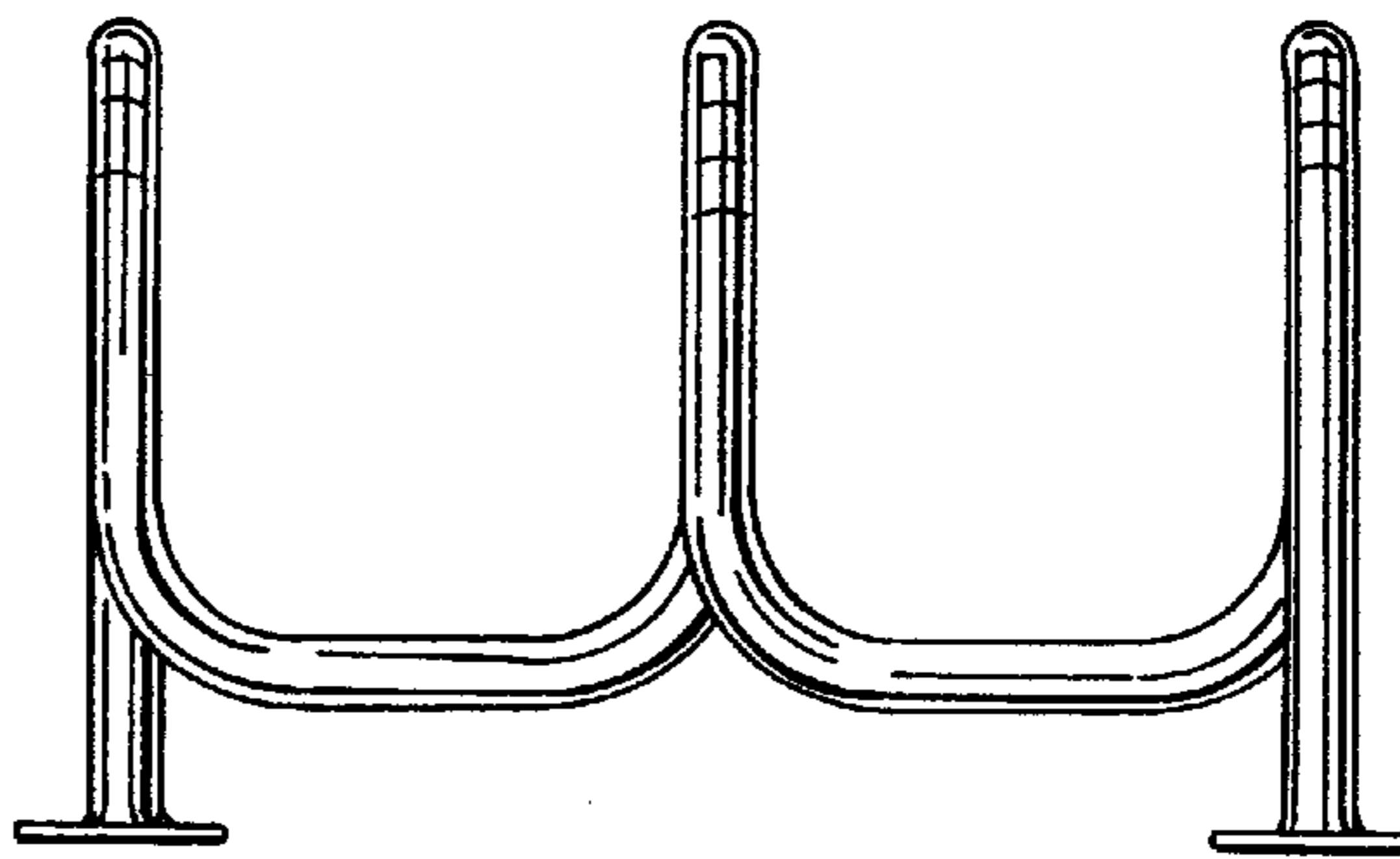


FIG. 2

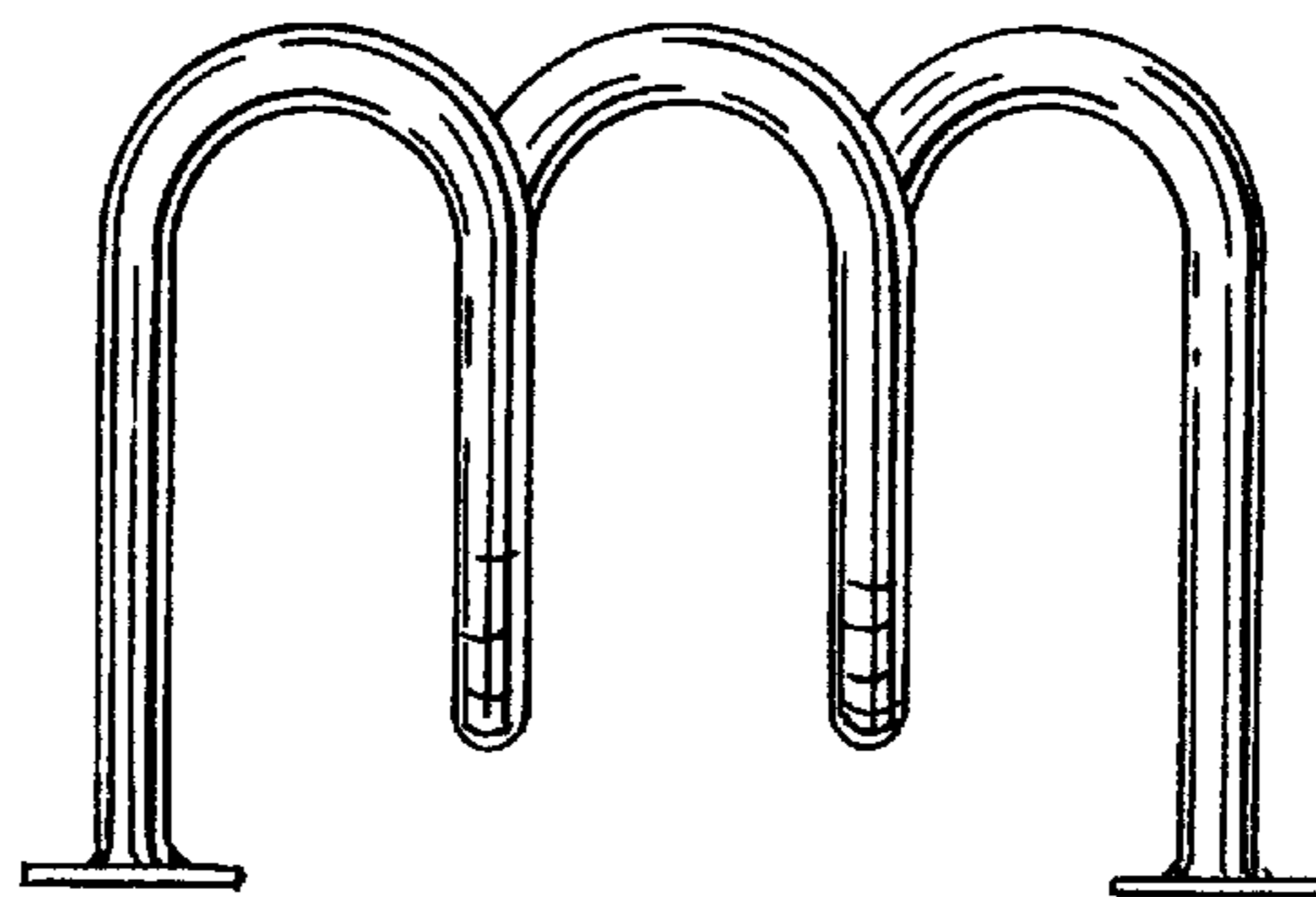


FIG. 3

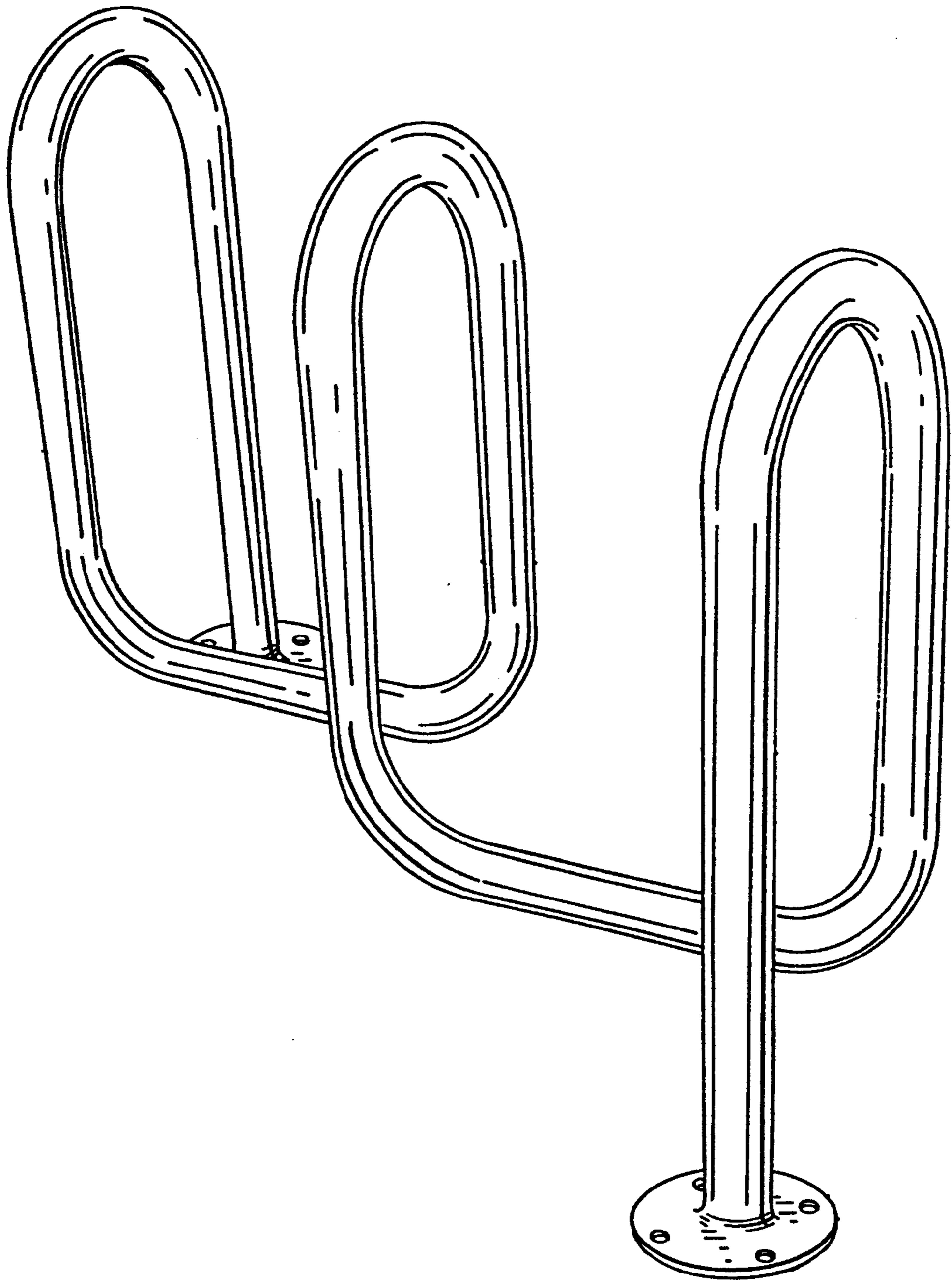


FIG. 4