



US00D447718B1

(12) **United States Design Patent**
Jones et al.

(10) **Patent No.:** **US D447,718 S**

(45) **Date of Patent:** **** Sep. 11, 2001**

(54) **HANGING BASKET**

1,624,504 * 4/1927 Pfarr 47/67
5,018,300 * 5/1991 Chiu et al. 47/67

(75) Inventors: **Dominic H. Jones**, Columbus; **Donald J. Staufenberg**, Dublin, both of OH (US)

* cited by examiner

(73) Assignee: **National Manufacturing Co.**, Sterling, IL (US)

Primary Examiner—Doris V. Coles

Assistant Examiner—Mimosa De

(**) Term: **14 Years**

(74) *Attorney, Agent, or Firm*—Marshall, O’Toole, Gerstein, Murray & Borun

(21) Appl. No.: **29/133,681**

(57) **CLAIM**

(22) Filed: **Dec. 4, 2000**

The ornamental design for a hanging basket, as shown and described.

(51) **LOC (7) Cl.** **11-02**

DESCRIPTION

(52) **U.S. Cl.** **D11/148**

(58) **Field of Search** D11/143, 144, D11/148, 149, 151, 153, 154; D6/403, 405, 513, 556, 557; 47/39, 41.01, 65.5, 65.7, 66.6, 67, 68, 72; 206/423; 211/85.23, 85.31, 106; 248/27.8, 127, 339

FIG. 1 is a perspective view of our new design of hanging basket;

FIG. 2 is a top plan view of the hanging basket of FIG. 1;

FIG. 3 is a front elevation view of the hanging basket of FIG. 1;

FIG. 4 is a top plan view of FIG. 2 in an enlarged size; and,

FIG. 5 is a front elevation view of FIG. 3 in an enlarged size.

(56) **References Cited**

U.S. PATENT DOCUMENTS

D. 405,289 * 2/1999 Rosenberg D6/403

1 Claim, 2 Drawing Sheets

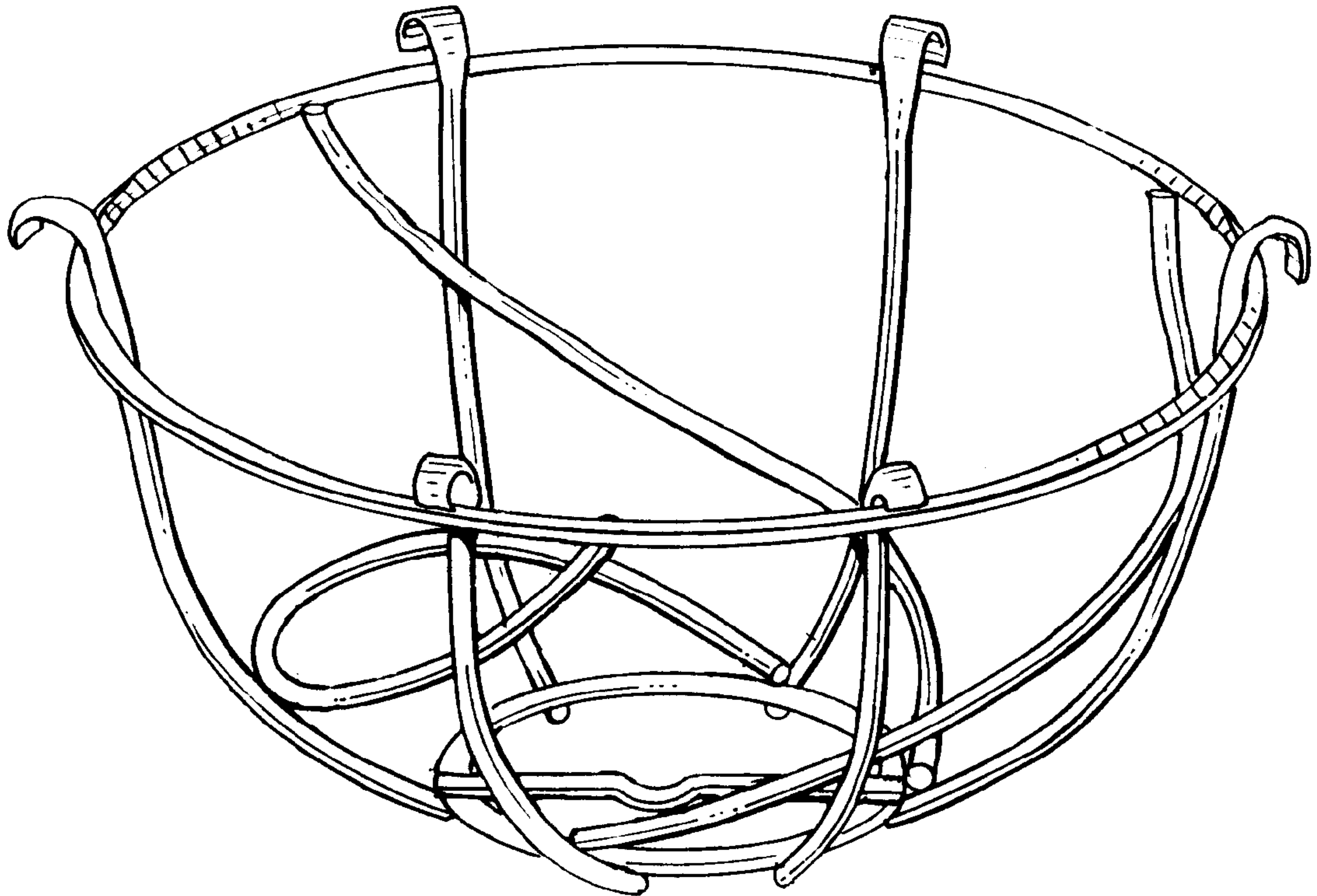


FIG. 1

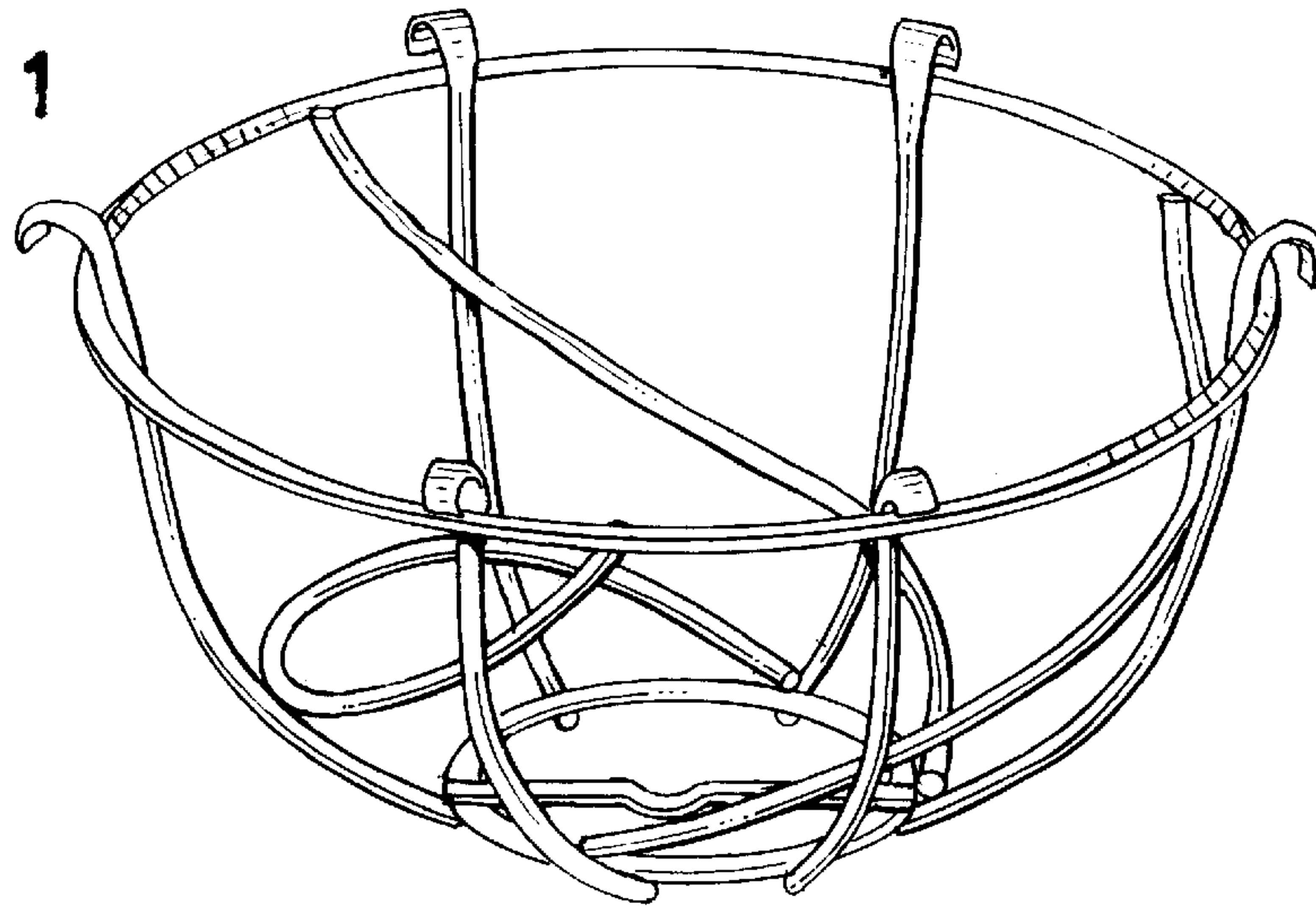


FIG. 2

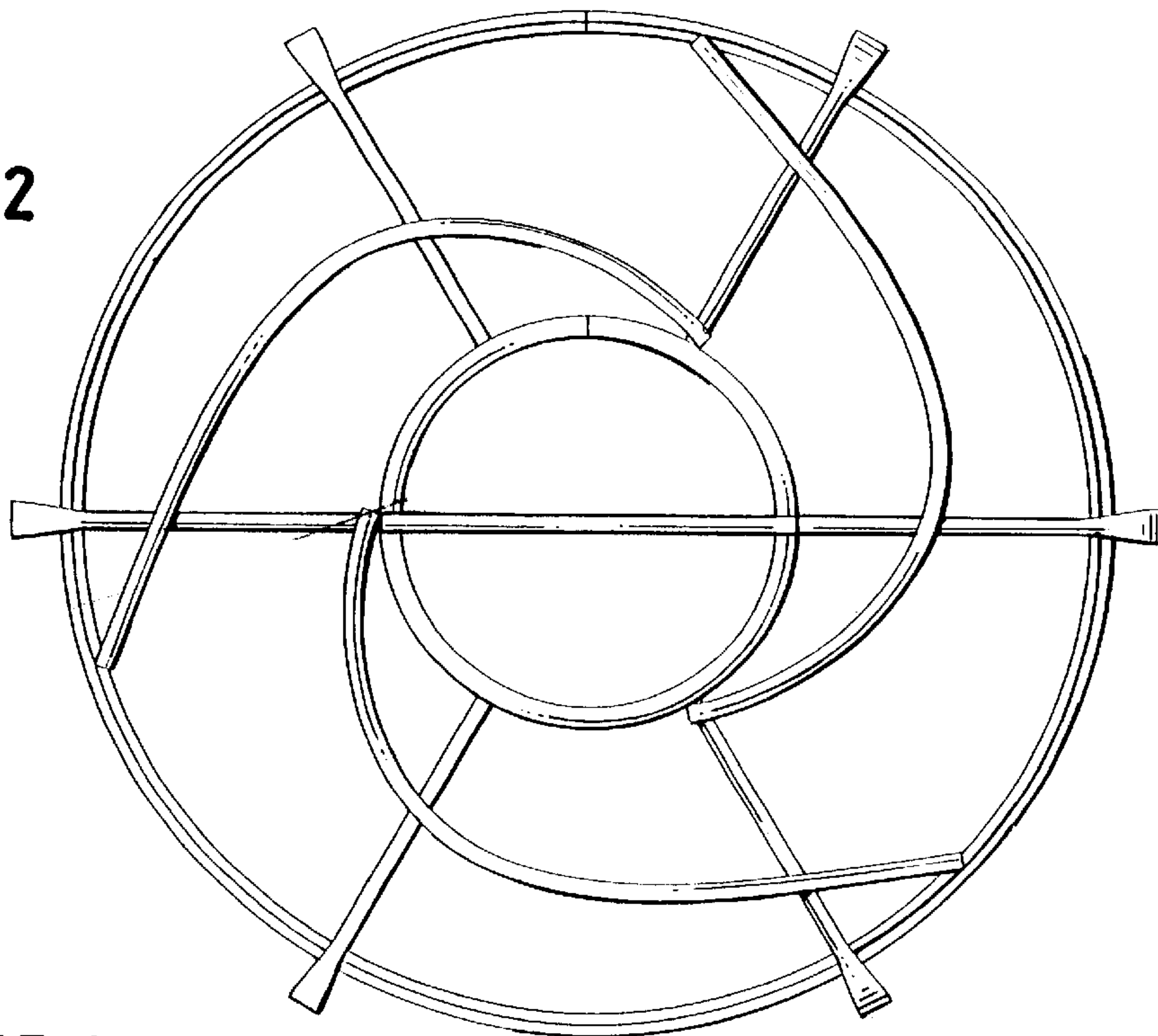


FIG. 3

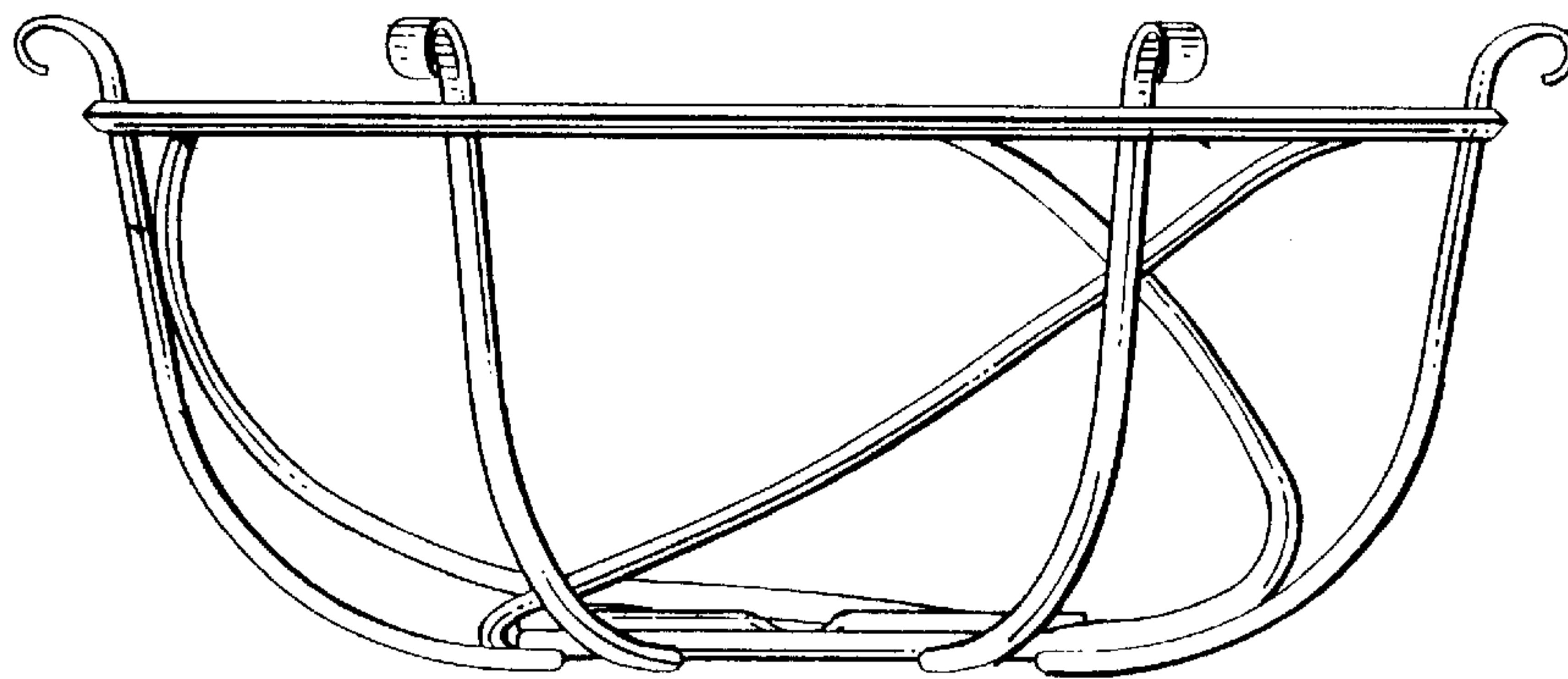


FIG. 4

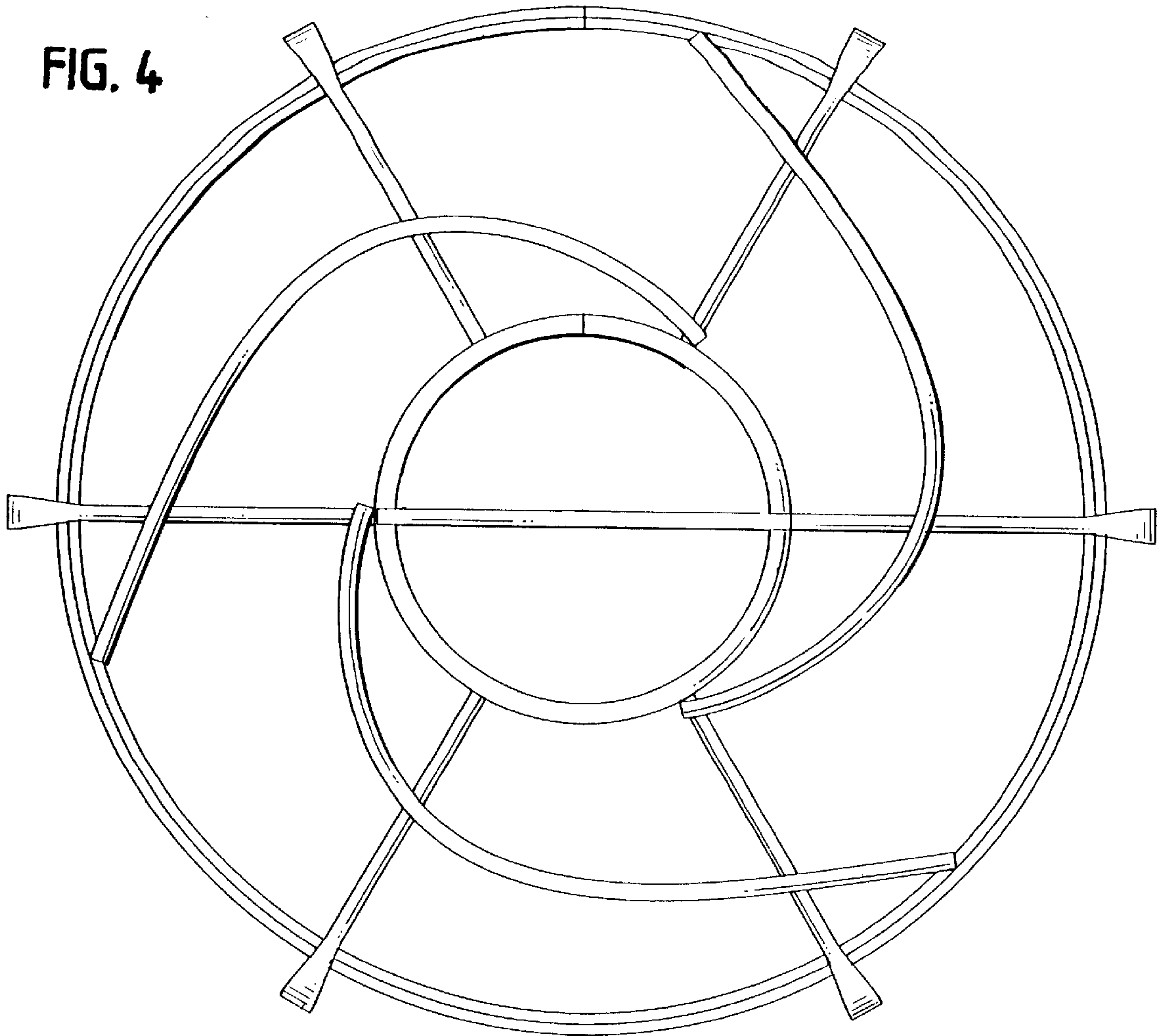


FIG. 5

