



US00D447717B1

(12) **United States Design Patent**
Siebenberg

(10) **Patent No.:** **US D447,717 S**

(45) **Date of Patent:** **** Sep. 11, 2001**

(54) **ARTICLE OF JEWELRY**

D. 431,794 * 10/2000 Reisigl D11/90

(75) Inventor: **Benjamin Siebenberg**, White Plains,
NY (US)

* cited by examiner

Primary Examiner—Ralf Seifert

(73) Assignee: **Am-Gold Corp.**, New York, NY (US)

(74) *Attorney, Agent, or Firm*—Levisohn, Lerner, Berger &
Langsam

(**) Term: **14 Years**

(57) **CLAIM**

(21) Appl. No.: **29/132,627**

The article of jewelry, shown and described in the drawings.

(22) Filed: **Nov. 9, 2000**

DESCRIPTION

Related U.S. Application Data

(63) Continuation of application No. 29/123,374, filed on May
17, 2000.

FIG. 1 is a perspective view of a first embodiment of this
invention;

(51) **LOC (7) Cl.** **11-01**

FIG. 2 is a top plan view of the first embodiment shown in
FIG. 1;

(52) **U.S. Cl.** **D11/90**

FIG. 3 is a front plan view of the first embodiment of FIG.
1. No bottom or side views are presented as these are mirror
images of FIGS. 2 and 3 respectively.

(58) **Field of Search** D11/1, 2, 89-90,
D11/26-28, 35-36, 40, 43; 63/15, 26, 28,
32; 24/30.01

FIG. 4 is a perspective view of a second embodiment of this
invention;

(56) **References Cited**

U.S. PATENT DOCUMENTS

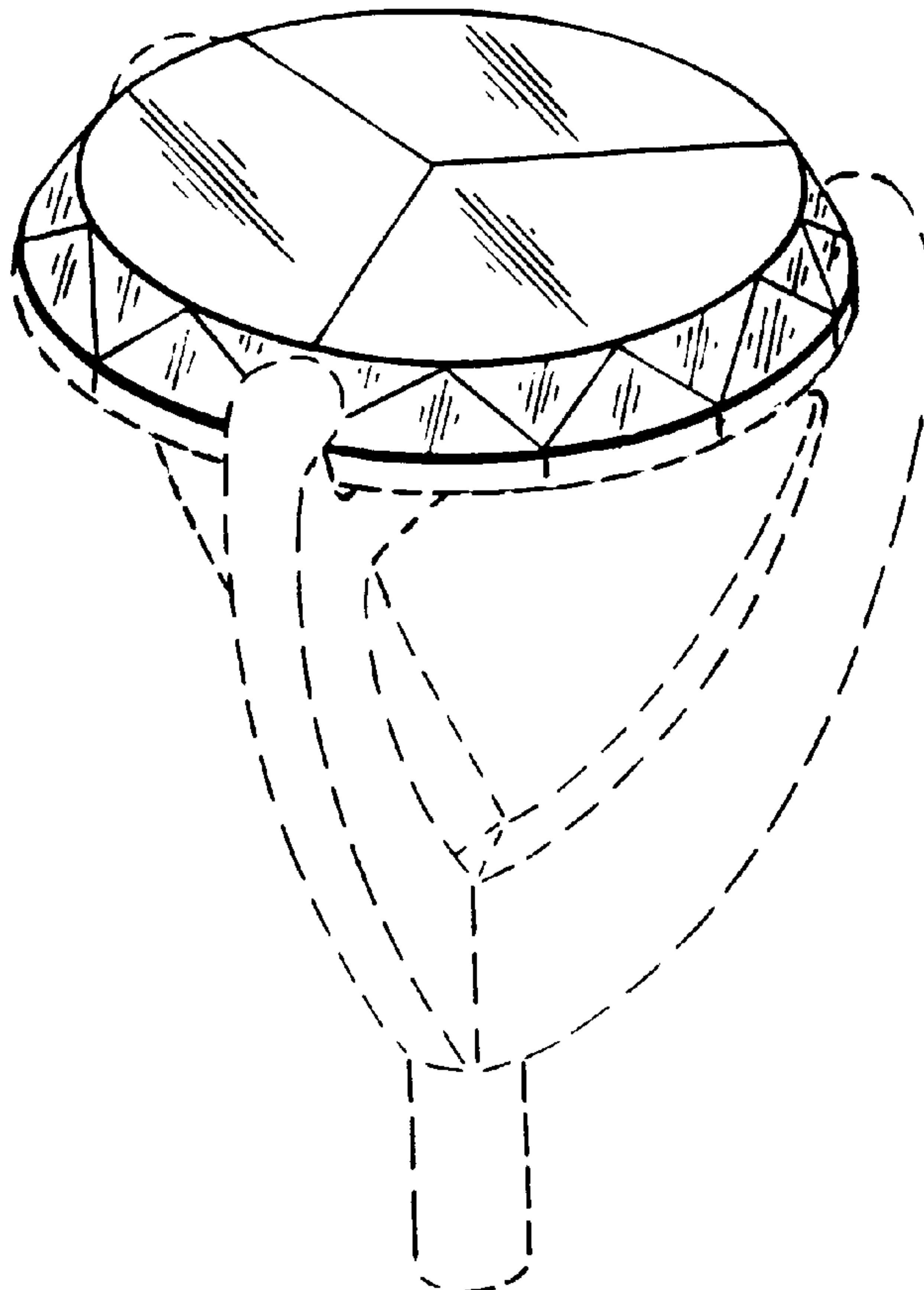
- D. 268,653 * 4/1983 Sun D11/90
- D. 372,883 * 8/1996 Adler D11/89
- D. 379,776 * 6/1997 Spitzer D11/90
- D. 383,998 * 9/1997 Condon D11/40

FIG. 5 is a top plan view of the second embodiment shown
in FIG. 4; and,

FIG. 6 is a front plan view of the second embodiment shown
in FIG. 4; No bottom or side views are presented as these are
mirror images of FIGS. 4 and 5 respectively.

No claim is made to those portions of the drawings shown
in dotted lines.

1 Claim, 2 Drawing Sheets



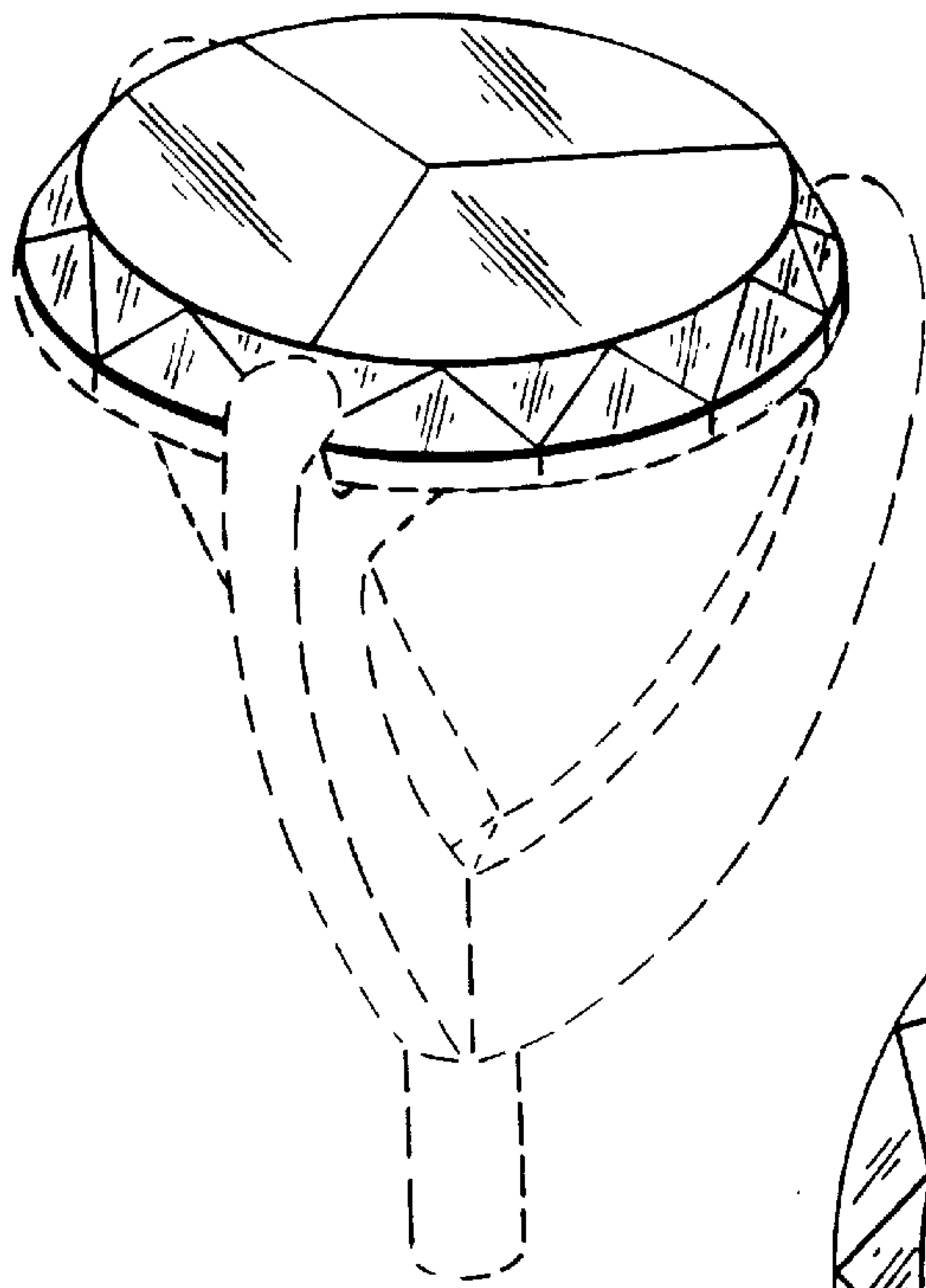


FIG. 1

FIG. 2

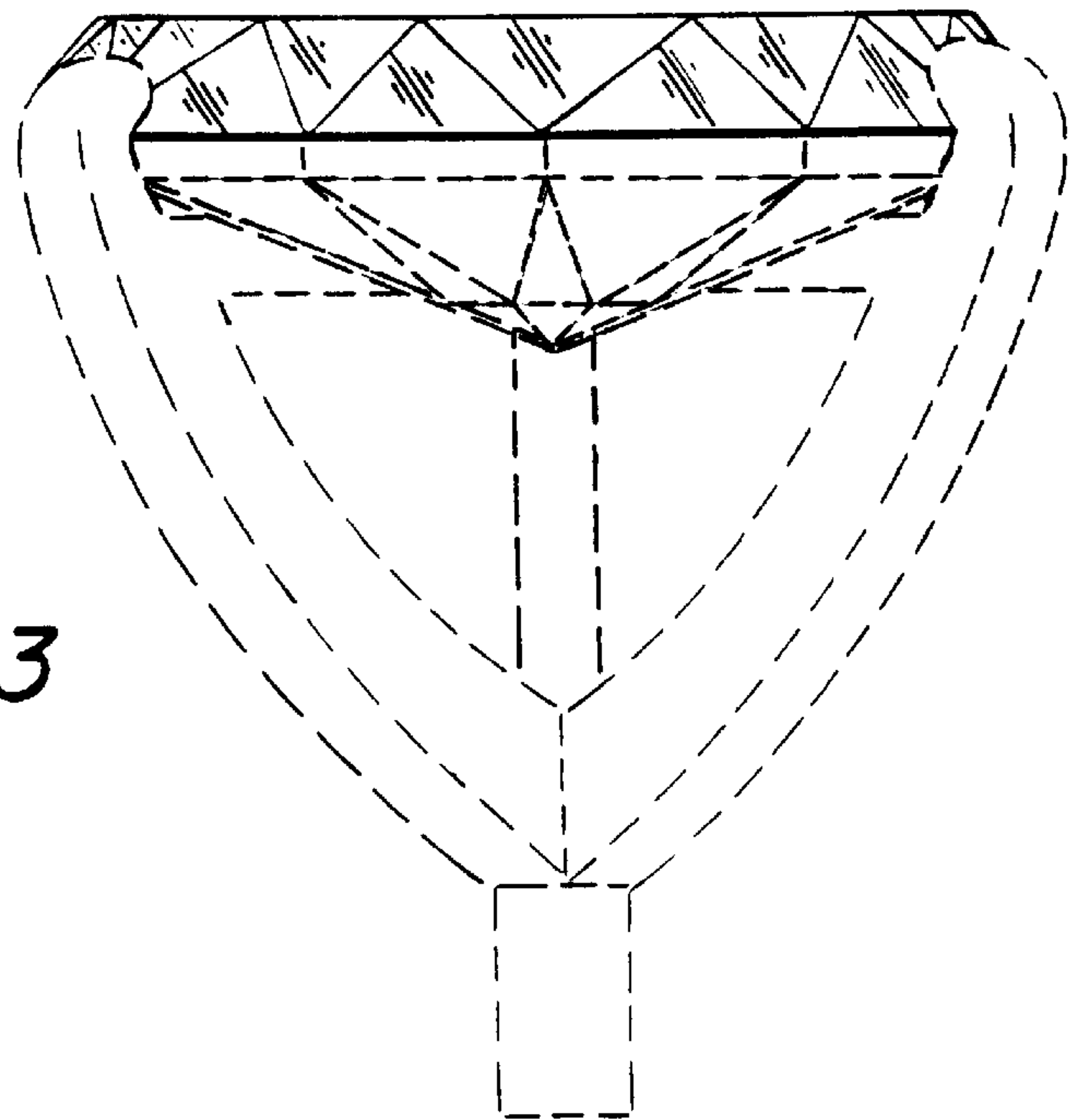
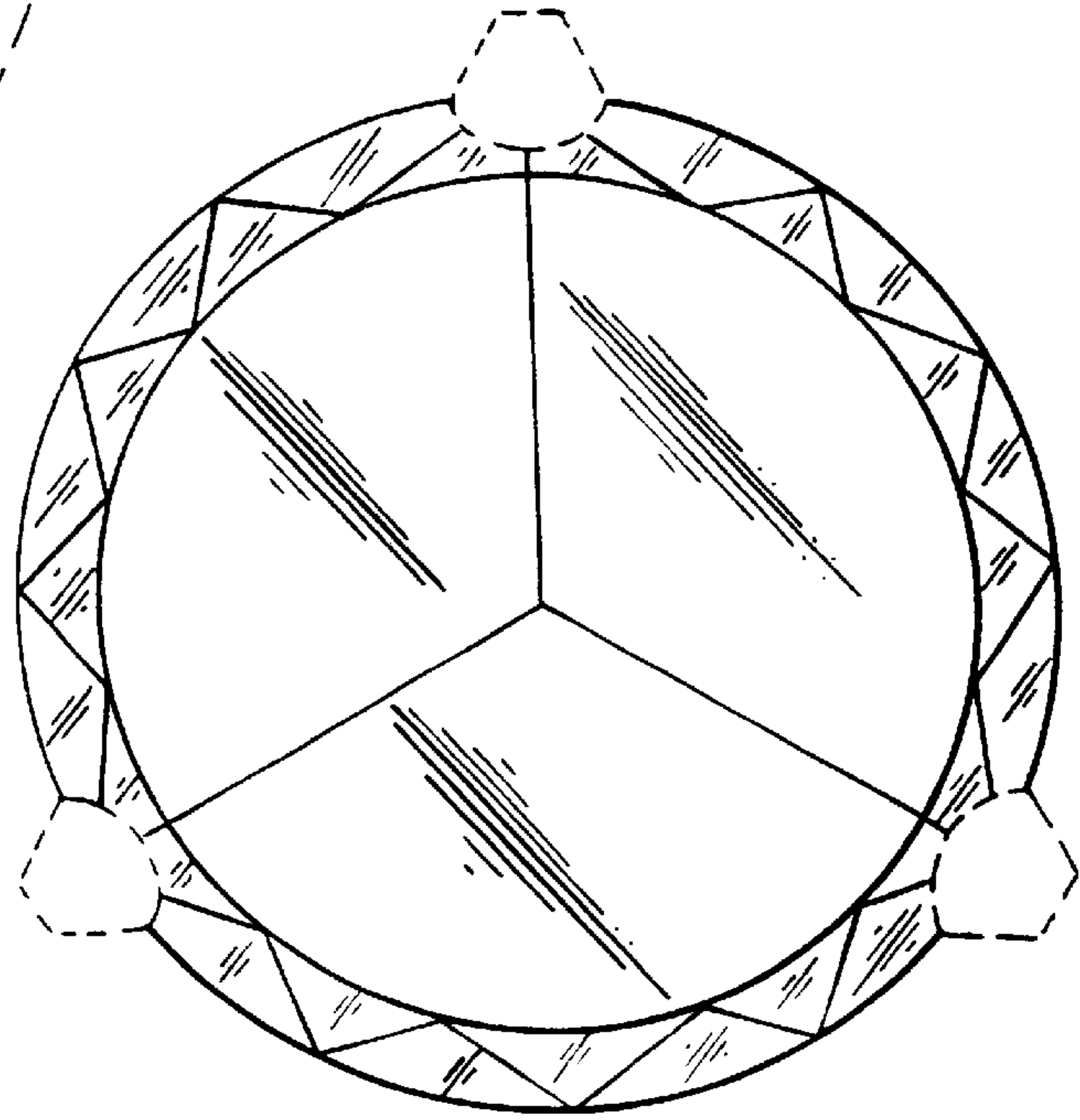


FIG. 3

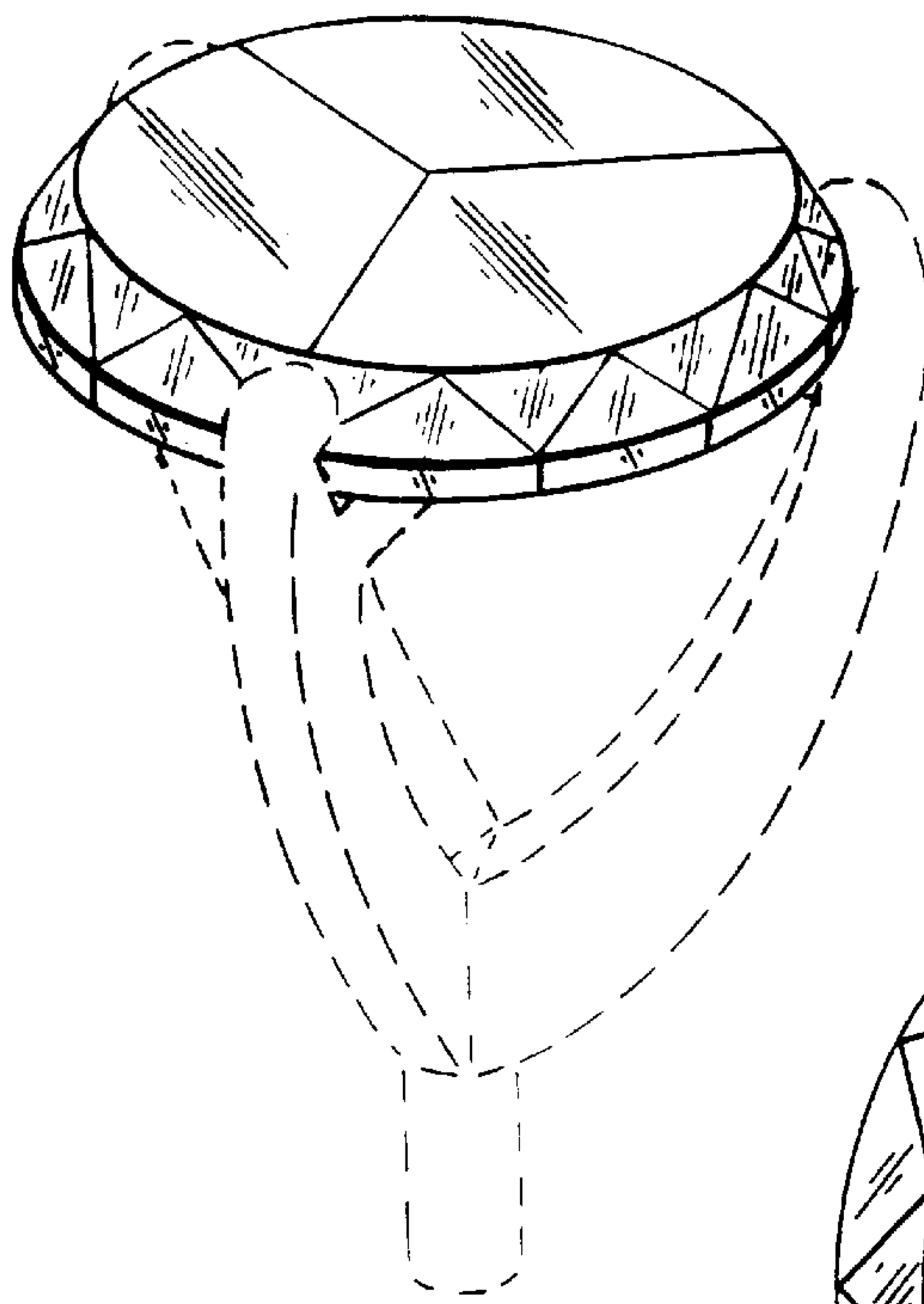


FIG. 4

FIG. 5

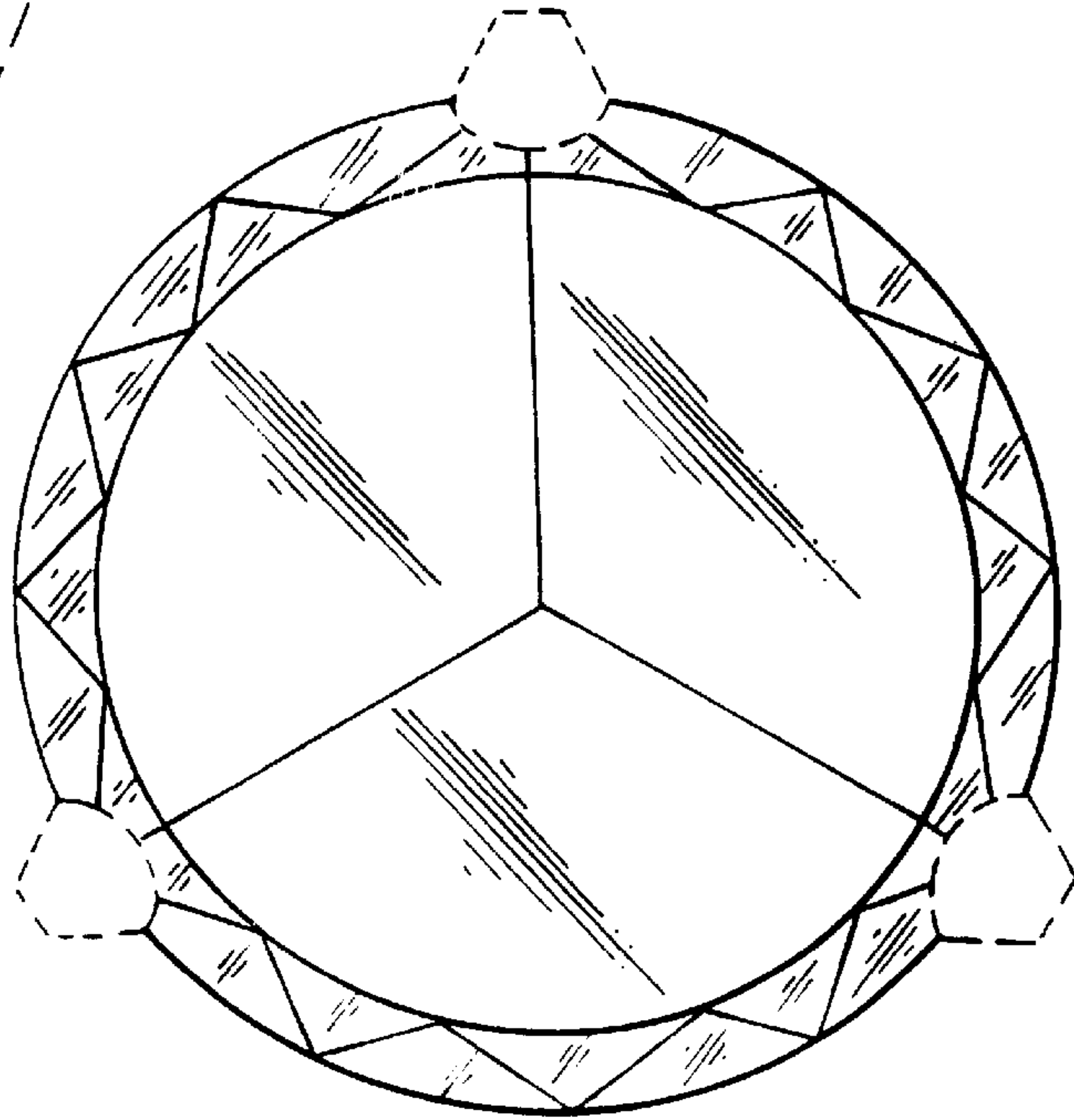


FIG. 6

