



US00D447712B1

(12) **United States Design Patent**  
**Hsu**

(10) **Patent No.:** **US D447,712 S**

(45) **Date of Patent:** **\*\* Sep. 11, 2001**

(54) **TAPE MEASURE**

6,158,138 \* 12/2000 Katz ..... 33/760

(76) Inventor: **Cheng-Hui Hsu**, No. 126-128, Pao  
Chung Rd., Hsin-Tien, Taipei Hsien  
(TW)

\* cited by examiner

*Primary Examiner*—Antoine Duval Davis  
(74) *Attorney, Agent, or Firm*—Bacon & Thomas, PLLC

(\*\*) Term: **14 Years**

(57) **CLAIM**

The ornamental design for a tape measure, as shown.

(21) Appl. No.: **29/132,735**

**DESCRIPTION**

(22) Filed: **Nov. 15, 2000**

(51) **LOC (7) Cl.** ..... **10-04**

(52) **U.S. Cl.** ..... **D10/72**

(58) **Field of Search** ..... D10/72; 33/755-771

FIG. 1 is a front elevational view of a tape measure showing  
my design,

FIG. 2 is a rear elevational view thereof;

FIG. 3 is a right side elevational view thereof;

FIG. 4 is a left side elevational view thereof;

FIG. 5 is a top plan view thereof;

FIG. 6 is a bottom plan view thereof;

FIG. 7 is a perspective view of the left side elevational view  
thereof; and,

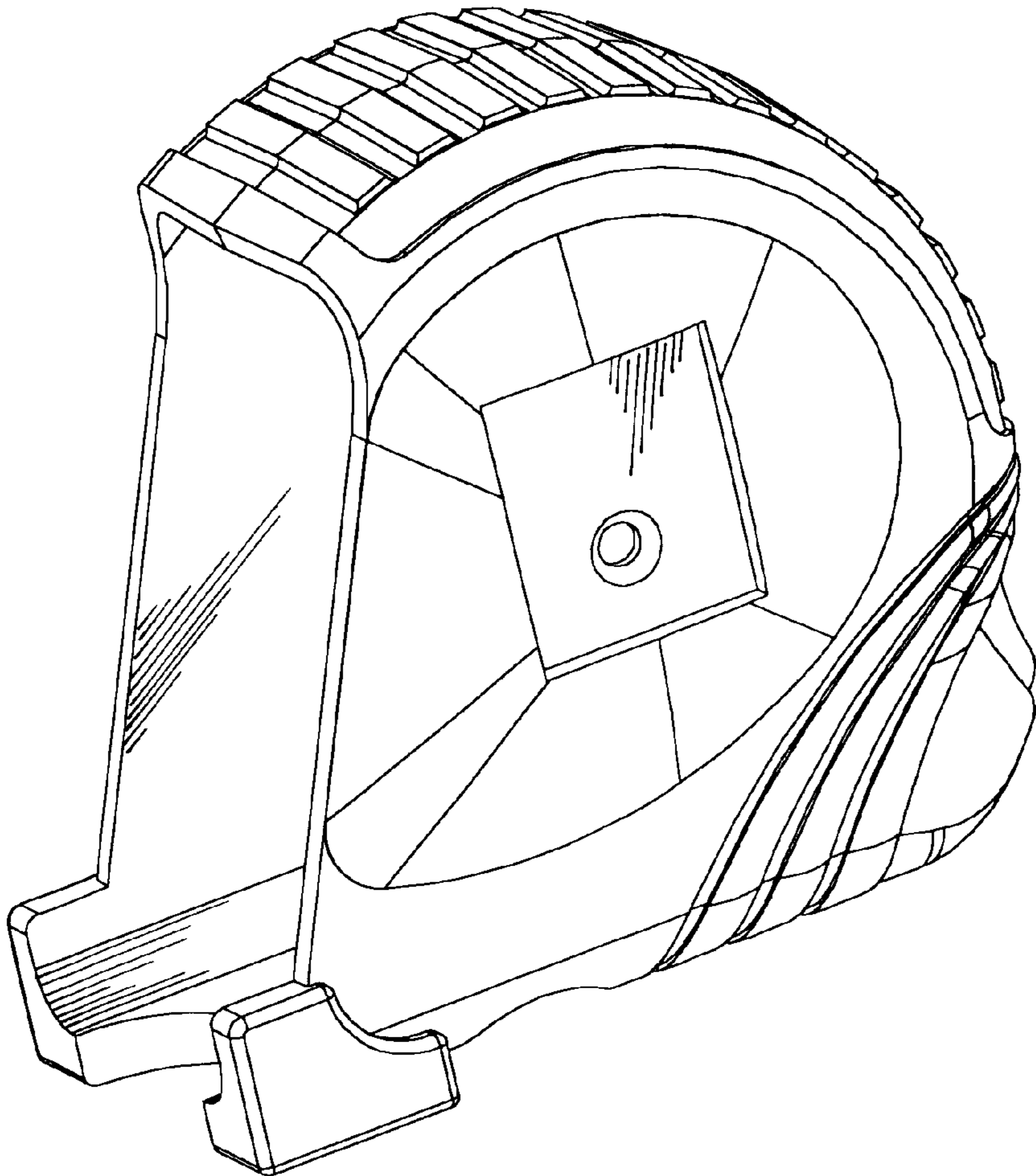
FIG. 8 is a perspective view of the right side elevational  
view thereof.

(56) **References Cited**

**U.S. PATENT DOCUMENTS**

- D. 341,328 \* 11/1993 Wantiez ..... D10/72
- D. 419,081 \* 1/2000 Evans, Jr. et al. .... D10/72
- D. 420,606 \* 2/2000 Hsu ..... D10/72
- D. 433,344 \* 11/2000 Hsu ..... D10/72

**1 Claim, 4 Drawing Sheets**



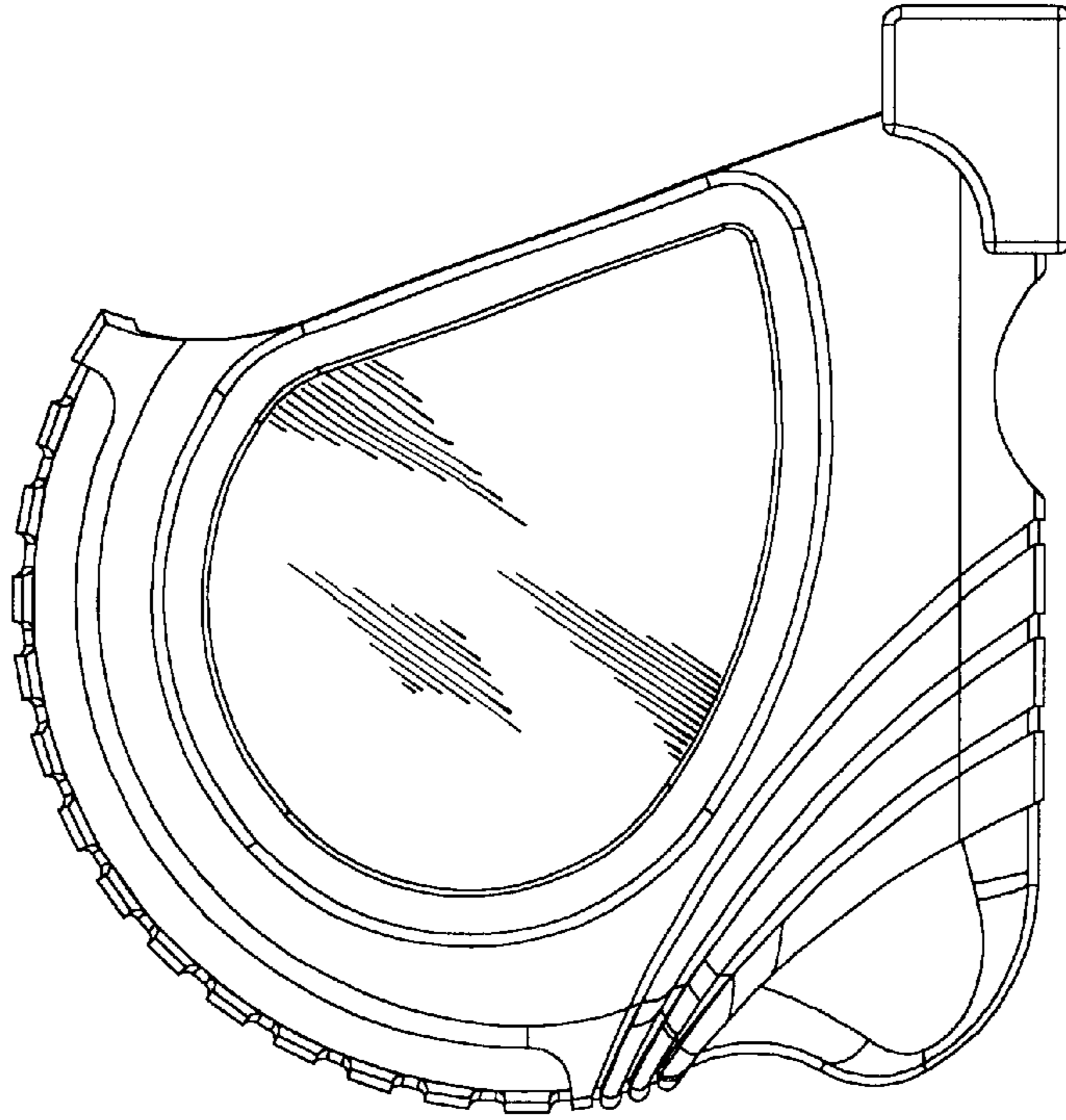


FIG.1

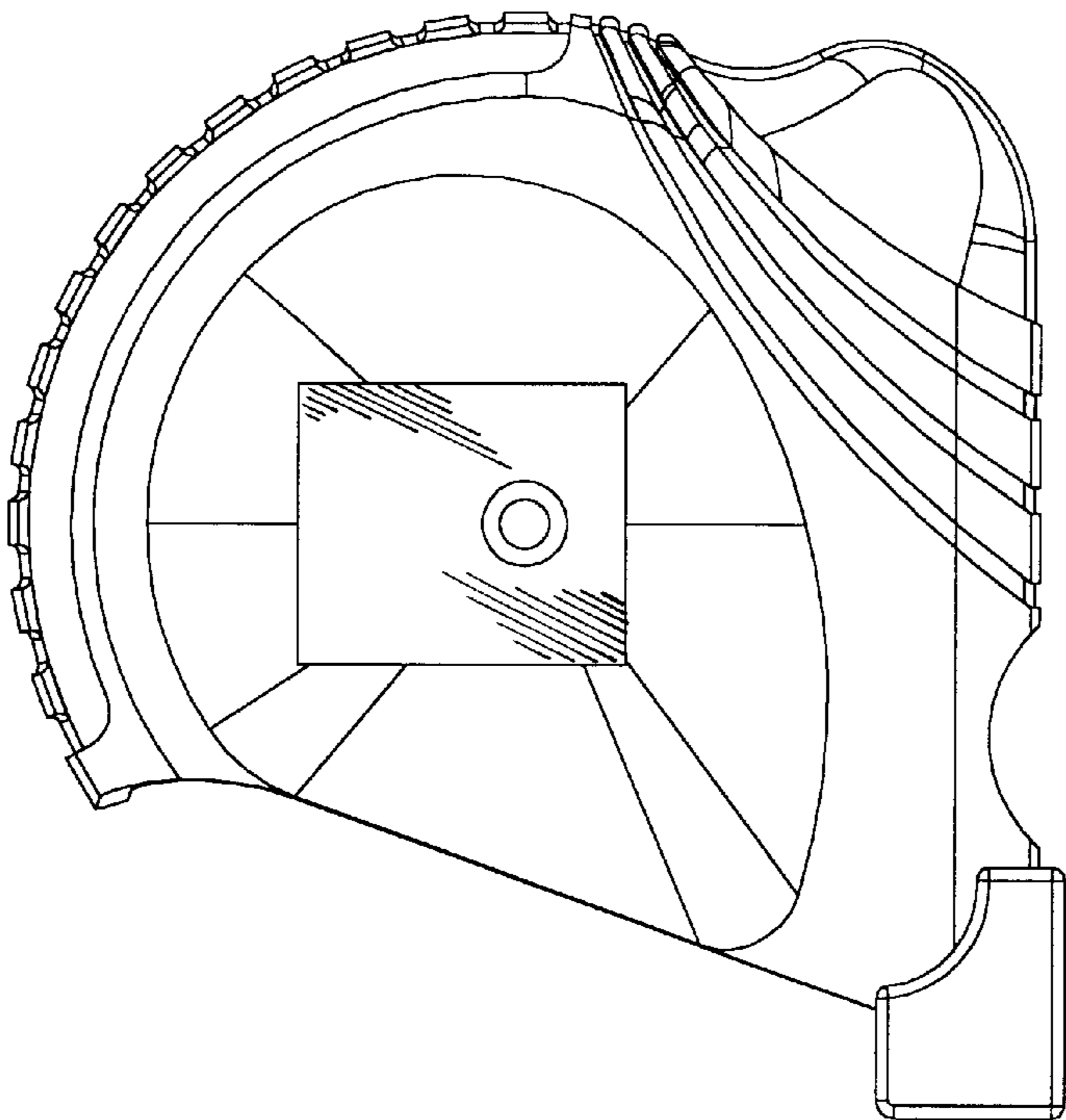


FIG.2

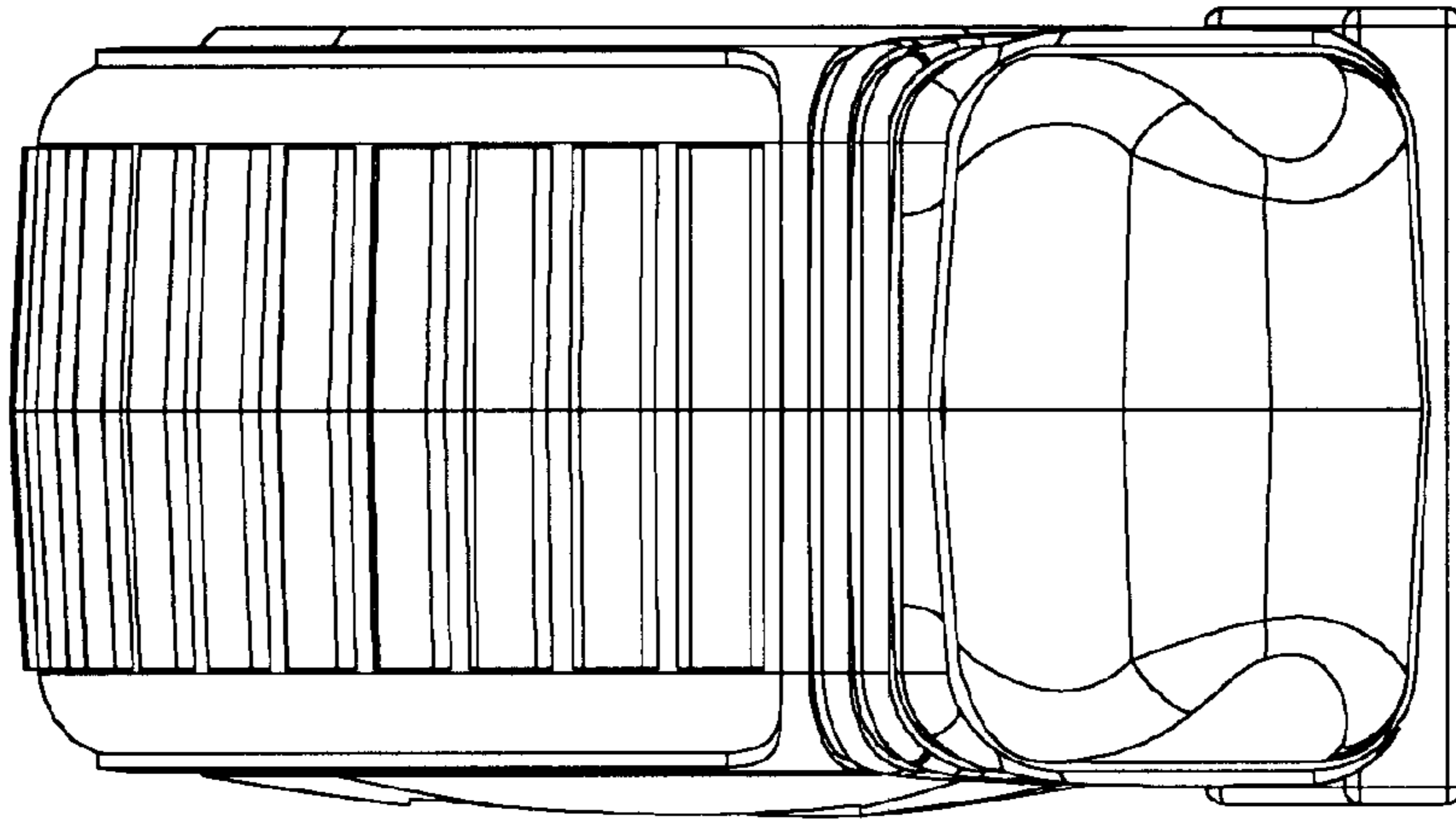


FIG.3

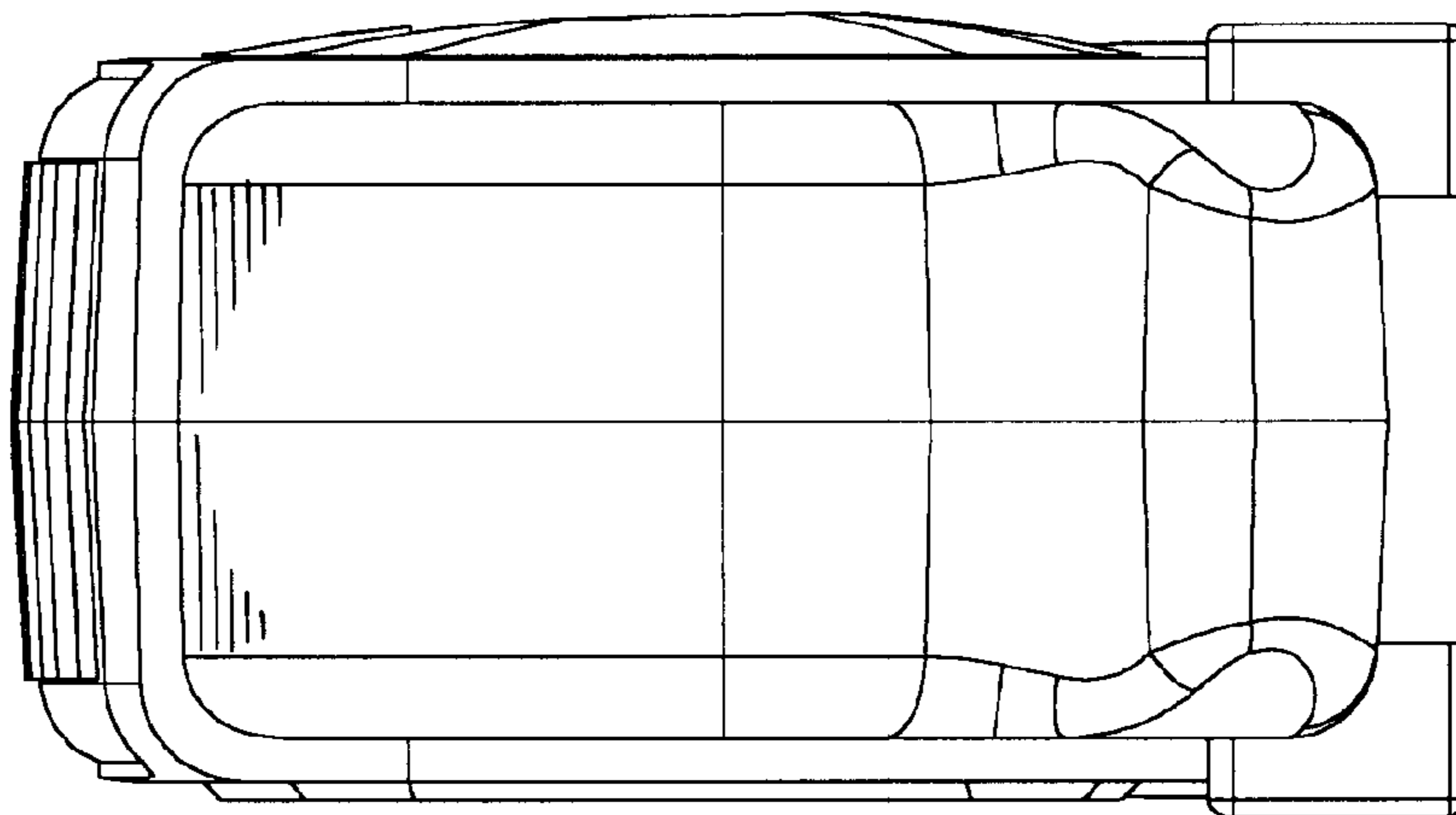


FIG.4

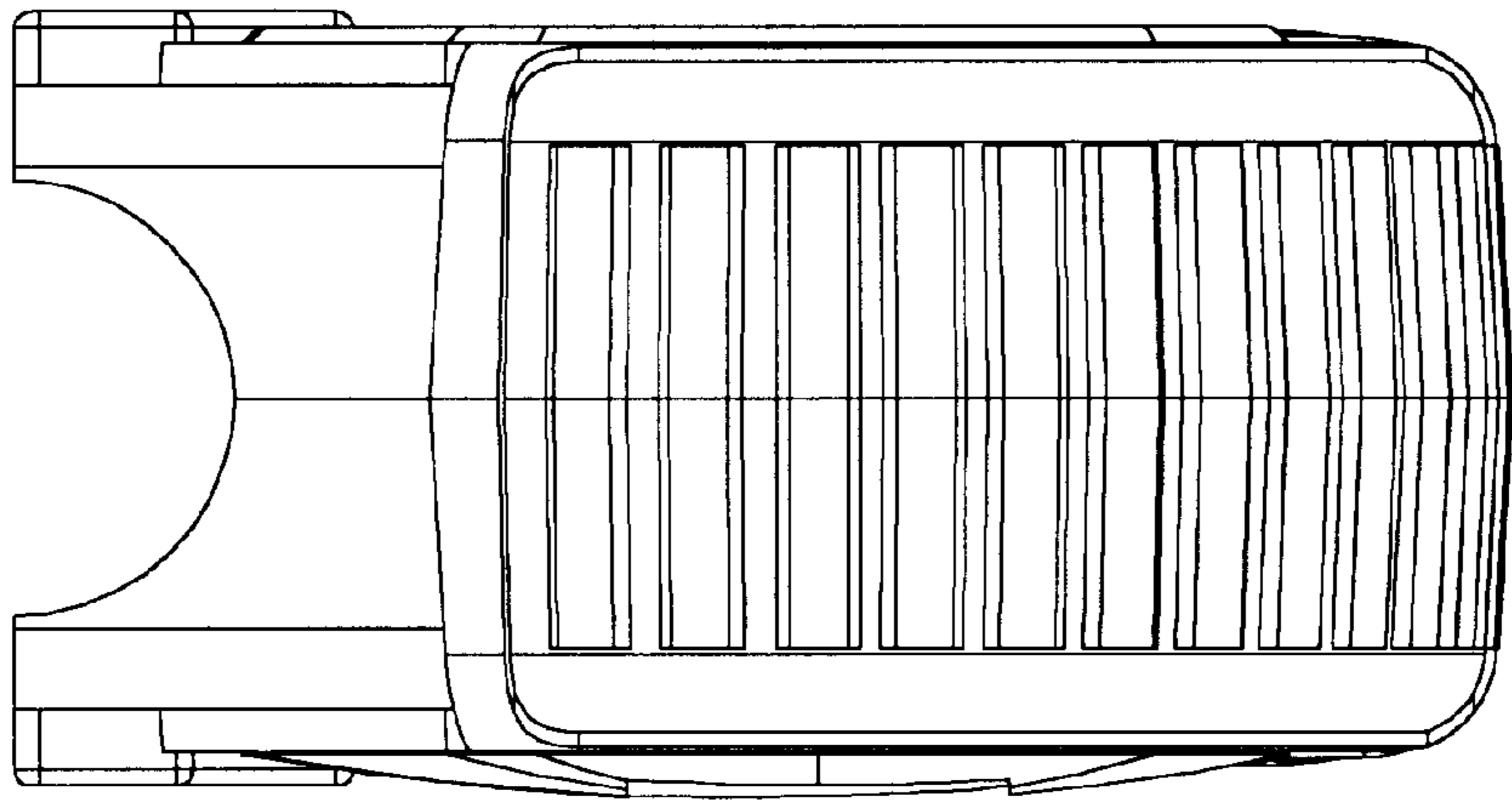


FIG.5

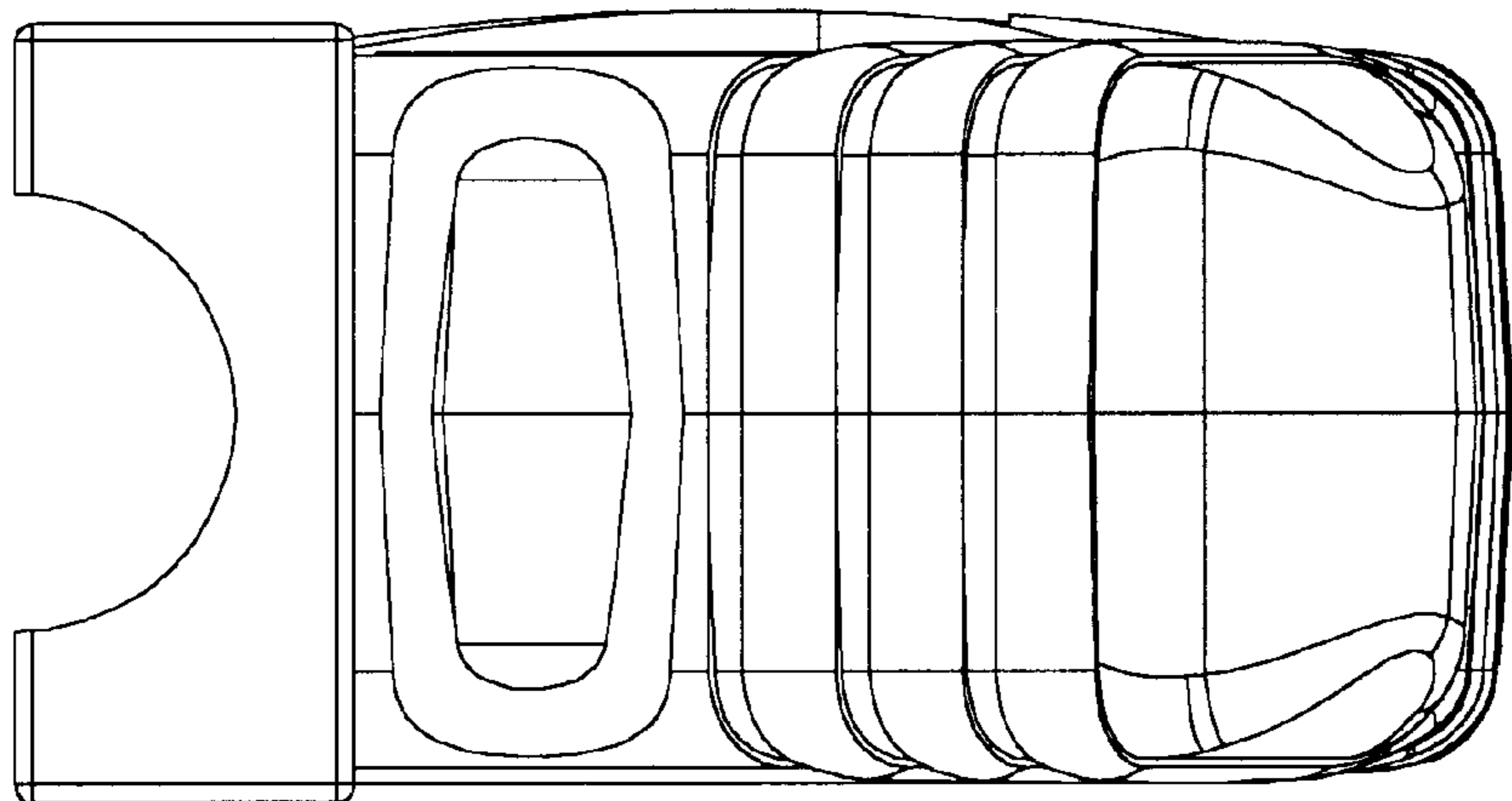


FIG.6

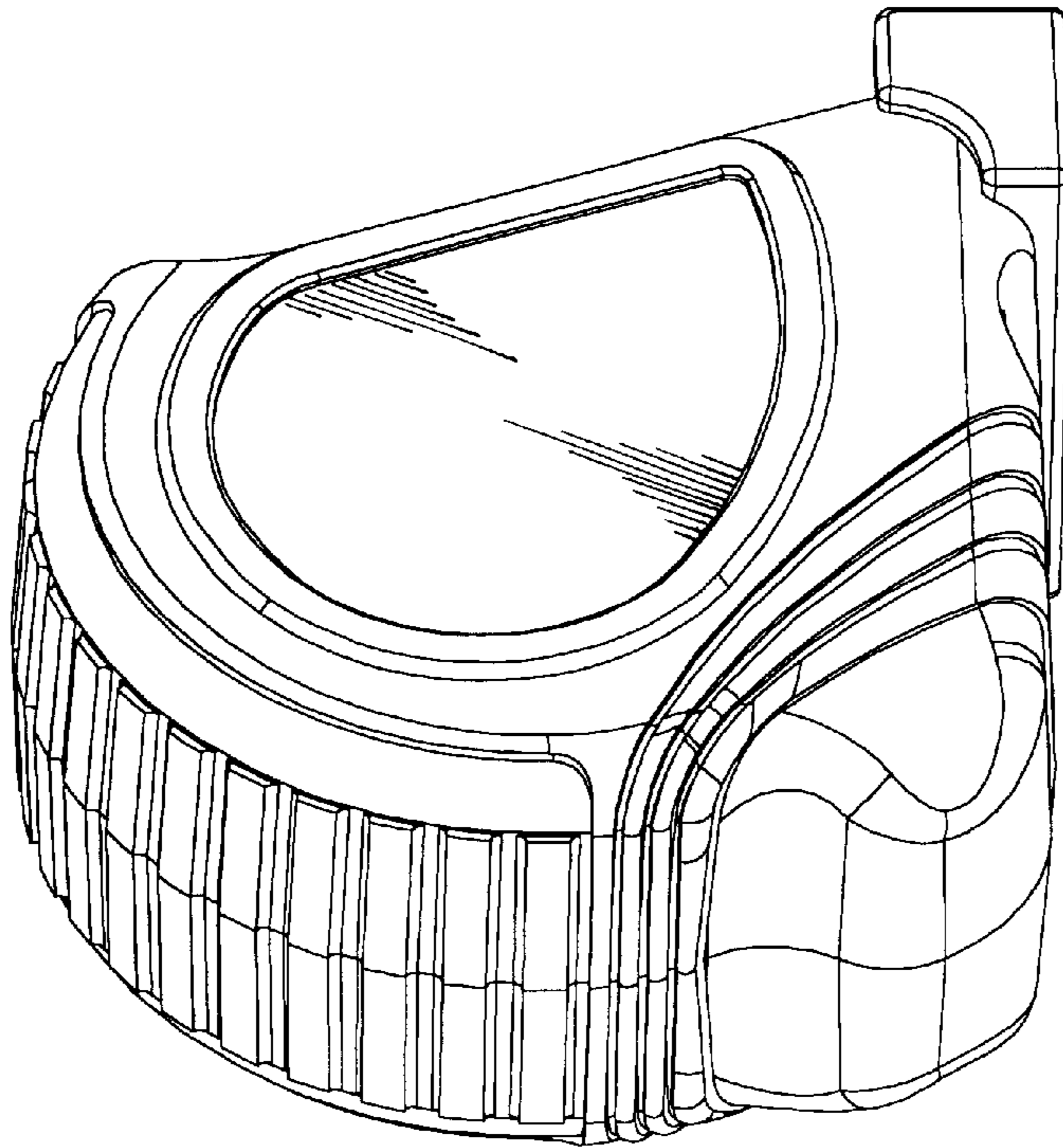


FIG.8

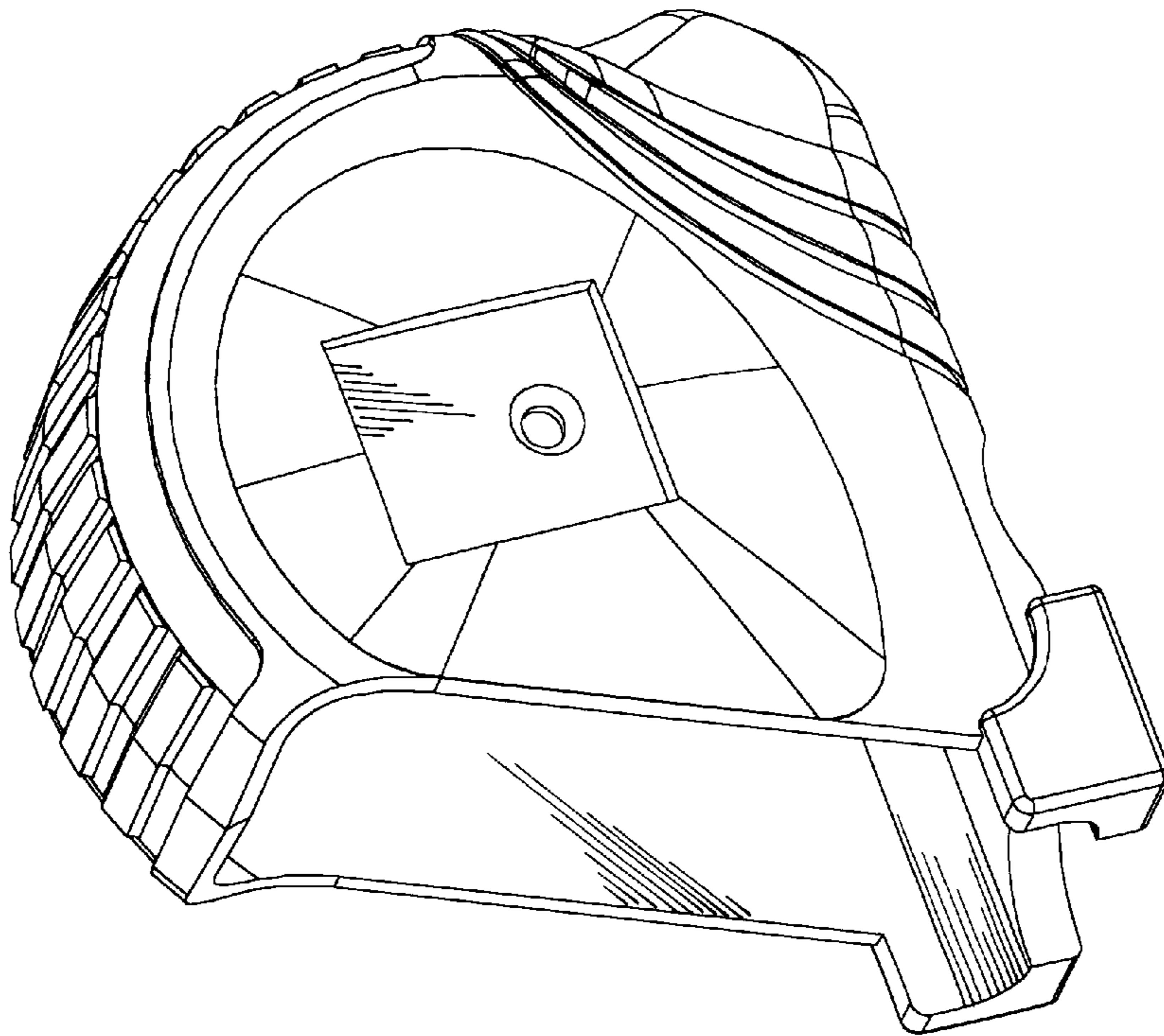


FIG.7