



US00D447710B1

(12) **United States Design Patent**
Legerstee et al.

(10) **Patent No.:** **US D447,710 S**

(45) **Date of Patent:** **** Sep. 11, 2001**

(54) **WOUND DRESSING GUIDE**

(75) Inventors: **Ronald Legerstee**, Aimere Biuten;
Walter Louwerse, Delft; **Jasper Drieshen**, Rotterdam, all of (NL)

(73) Assignee: **Johnson & Johnson Medical BV**,
Amersfoort (NL)

(**) Term: **14 Years**

(21) Appl. No.: **29/131,881**

(22) Filed: **Oct. 30, 2000**

(51) **LOC (7) Cl.** **10-04**

(52) **U.S. Cl.** **D10/71; D10/64**

(58) **Field of Search** **D10/64, 70, 71;**
235/70 A, 69; 434/263

(56) **References Cited**

U.S. PATENT DOCUMENTS

D. 408,748	*	4/1999	Bedol et al.	D1/71
3,570,757		3/1971	Wells .		
3,747,847		7/1973	Cohen .		
3,814,308		6/1974	Kolan .		
4,189,634		2/1980	LaBove et al. .		
5,821,509	*	10/1998	Razo	235/70 A

OTHER PUBLICATIONS

Johnson & Johnson Medical Pty. Ltd, "Wound Logic/Wound Dressing" Guide.

* cited by examiner

Primary Examiner—Antoine Duval Davis

(74) *Attorney, Agent, or Firm*—Theodore Shatynski

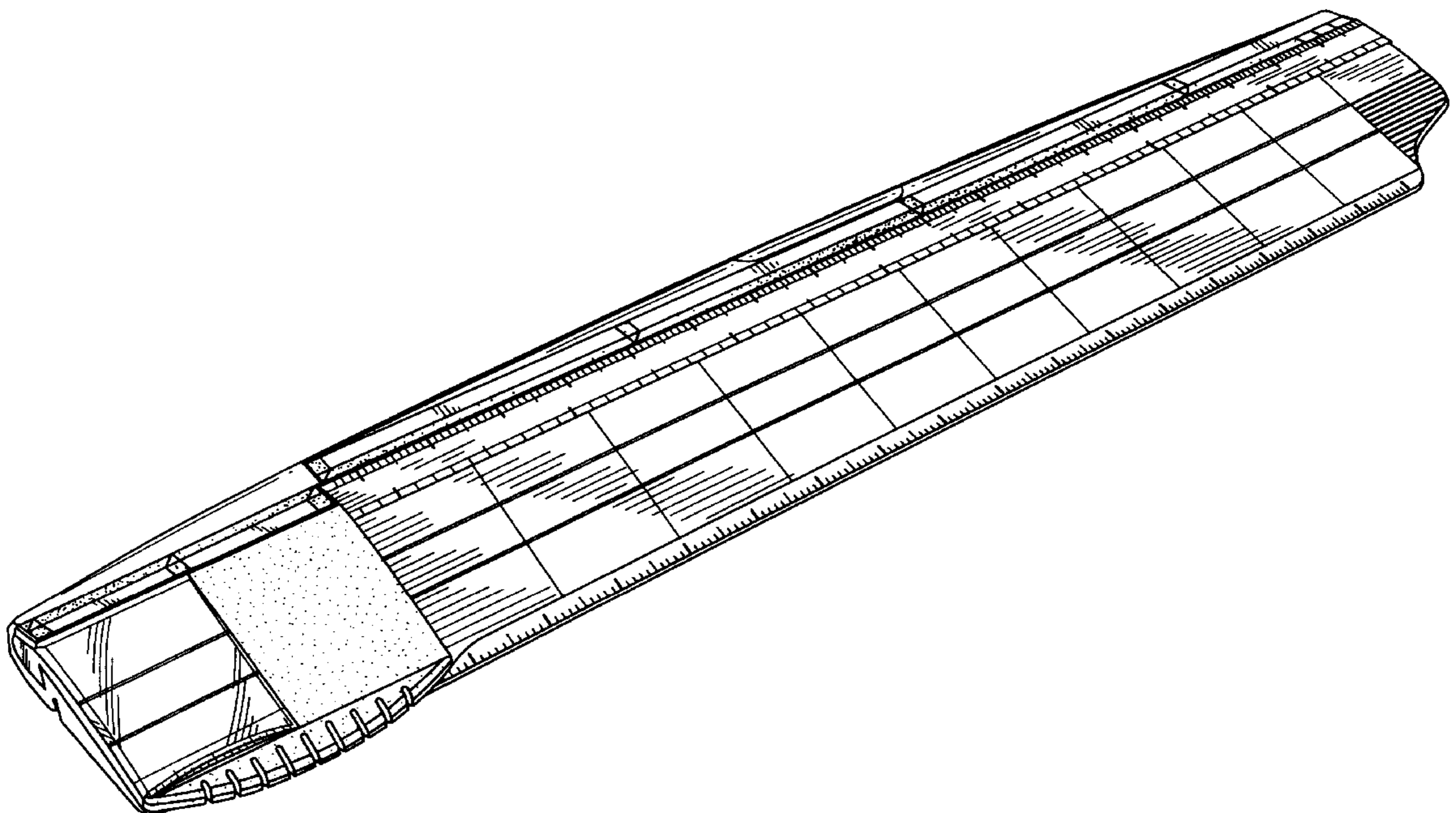
(57) **CLAIM**

The ornamental design for a wound dressing guide, as shown and described.

DESCRIPTION

FIG. 1 shows a perspective view;
 FIG. 2 shows a top plan view;
 FIG. 3 shows a front elevational view;
 FIG. 4 shows bottom plan view;
 FIG. 5 shows rear elevational view;
 FIG. 6 shows show a left-side elevational view;
 FIG. 7 shows a right-side elevational view;
 FIG. 8 shows a first enlarged fragmentary top plan view;
 FIG. 9 shows a second enlarged fragmentary top plan view;
 FIG. 10 shows a third enlarged fragmentary top plan view;
 FIG. 11 shows a forth enlarged fragmentary top plan view;
 FIG. 12 shows a fifth enlarged fragmentary top plan view;
 FIG. 13 shows a sixth enlarged fragmentary top plan view;
 FIG. 14 shows a seventh enlarged fragmentary top plan view; and,
 FIG. 15 shows an eighth enlarged fragmentary top plan view.

1 Claim, 12 Drawing Sheets



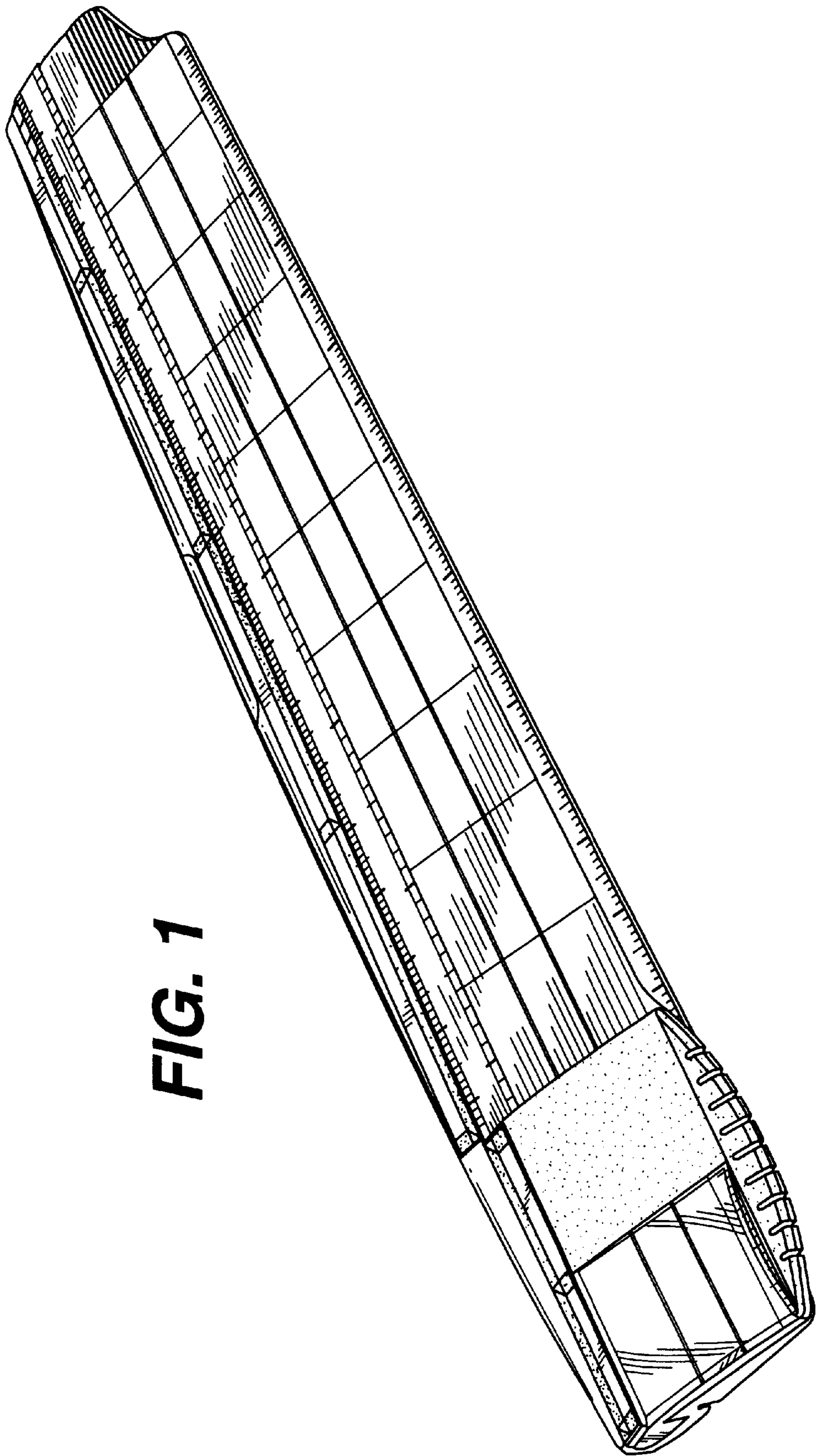


FIG. 1

FIG. 2

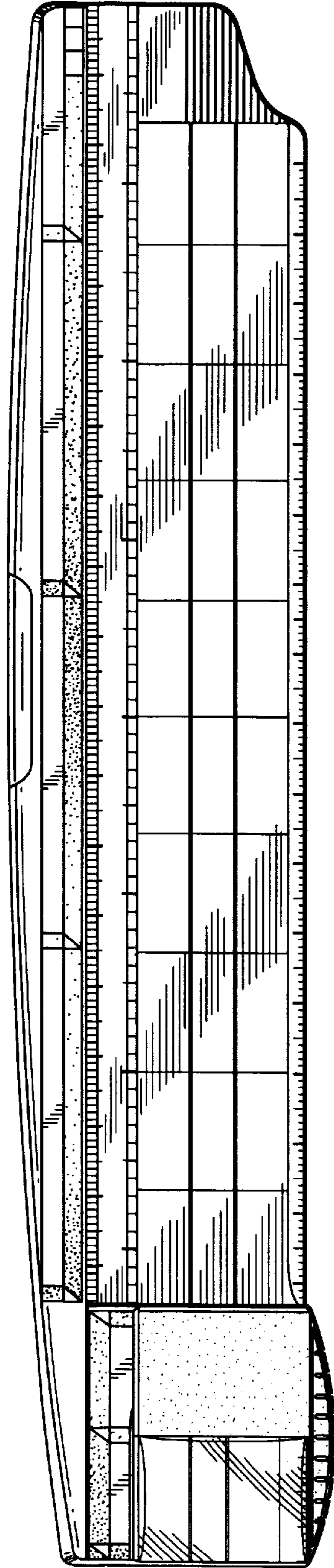


FIG. 3

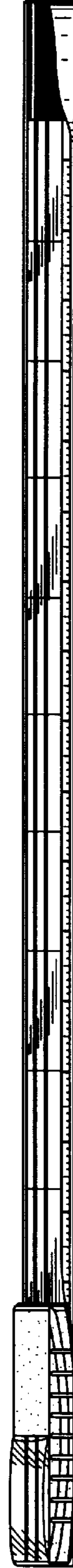


FIG. 4

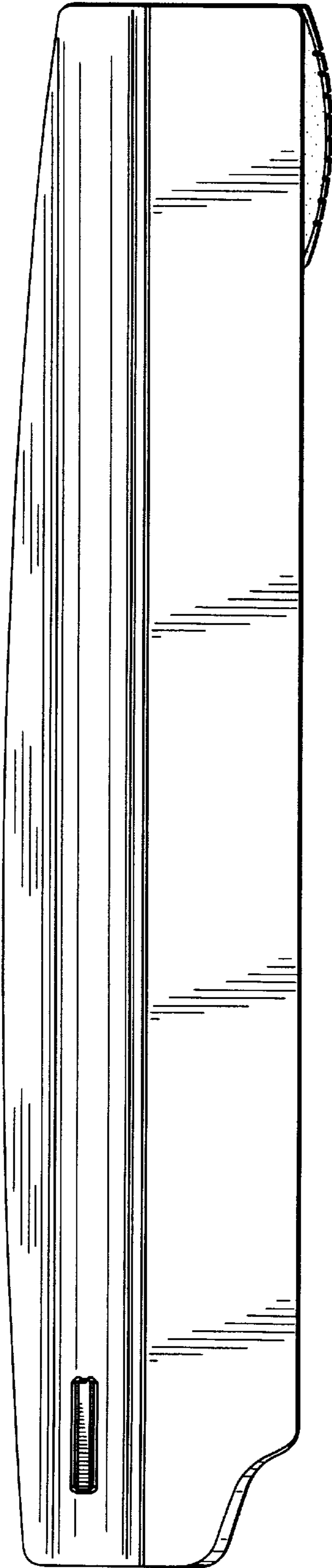


FIG. 5



FIG. 6

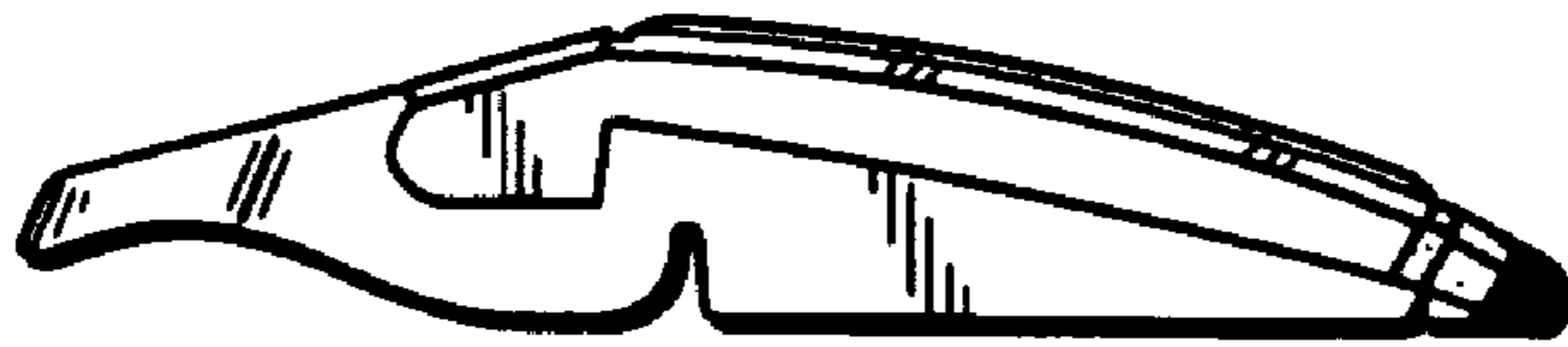


FIG. 7

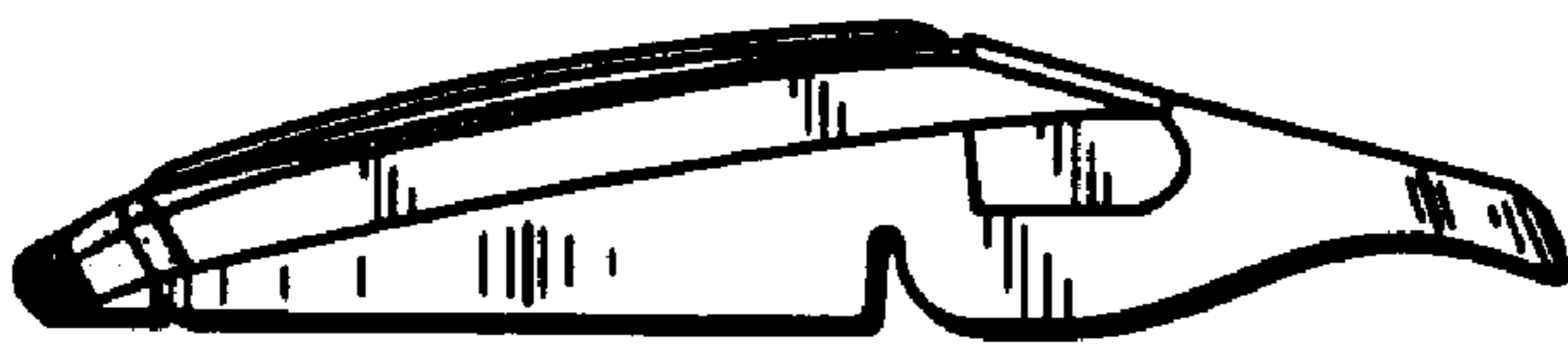


FIG. 8

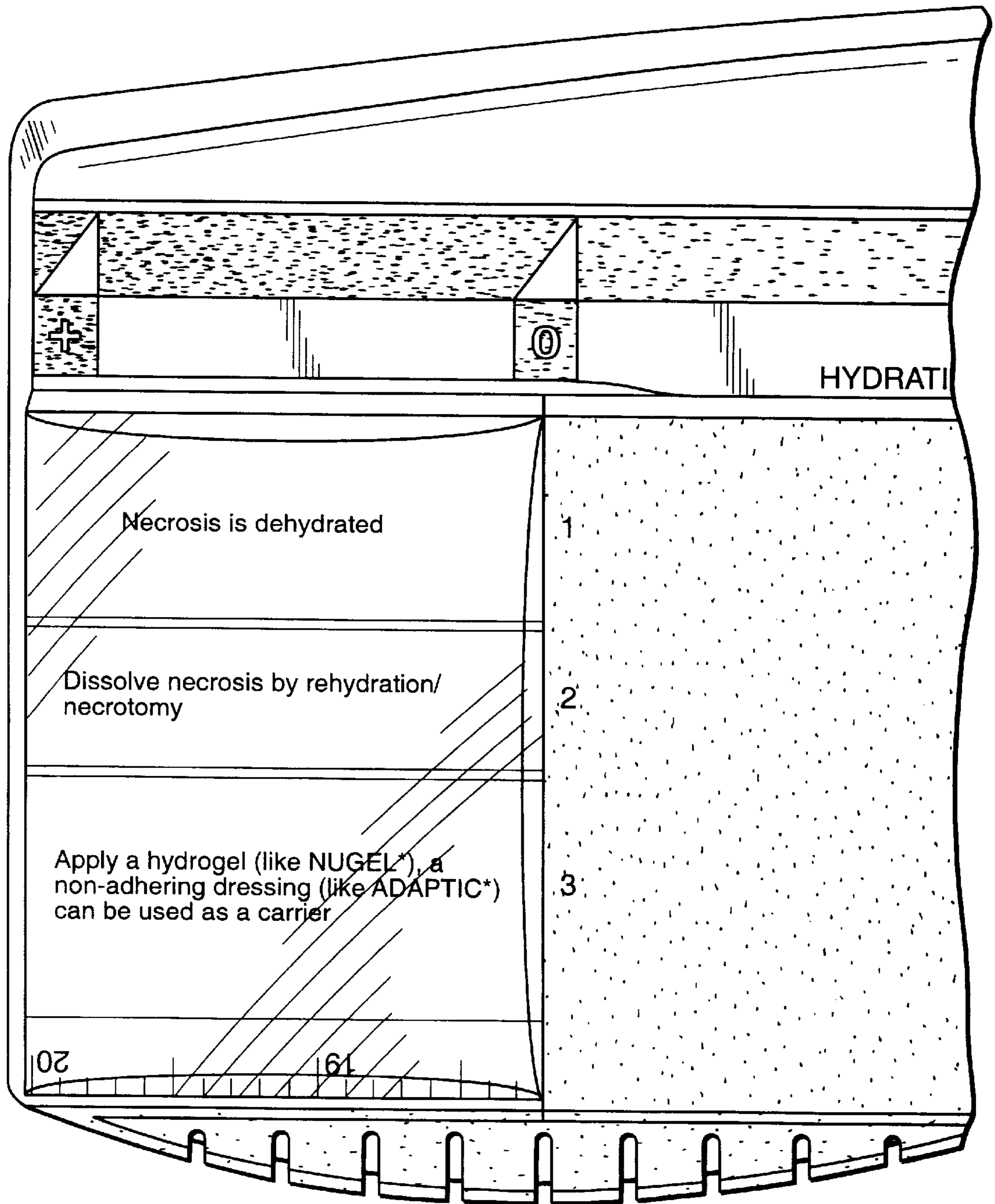


FIG. 9

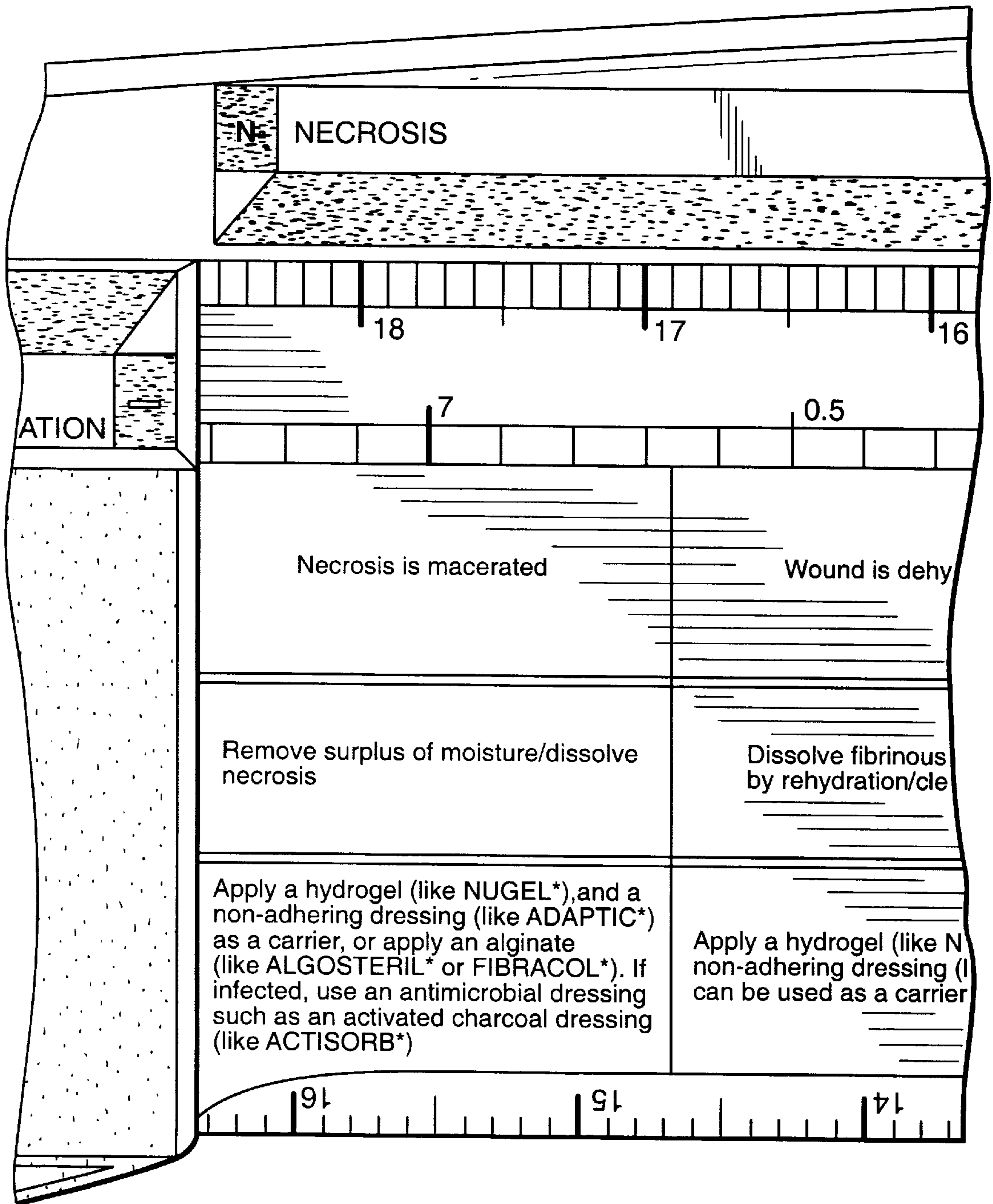


FIG. 10

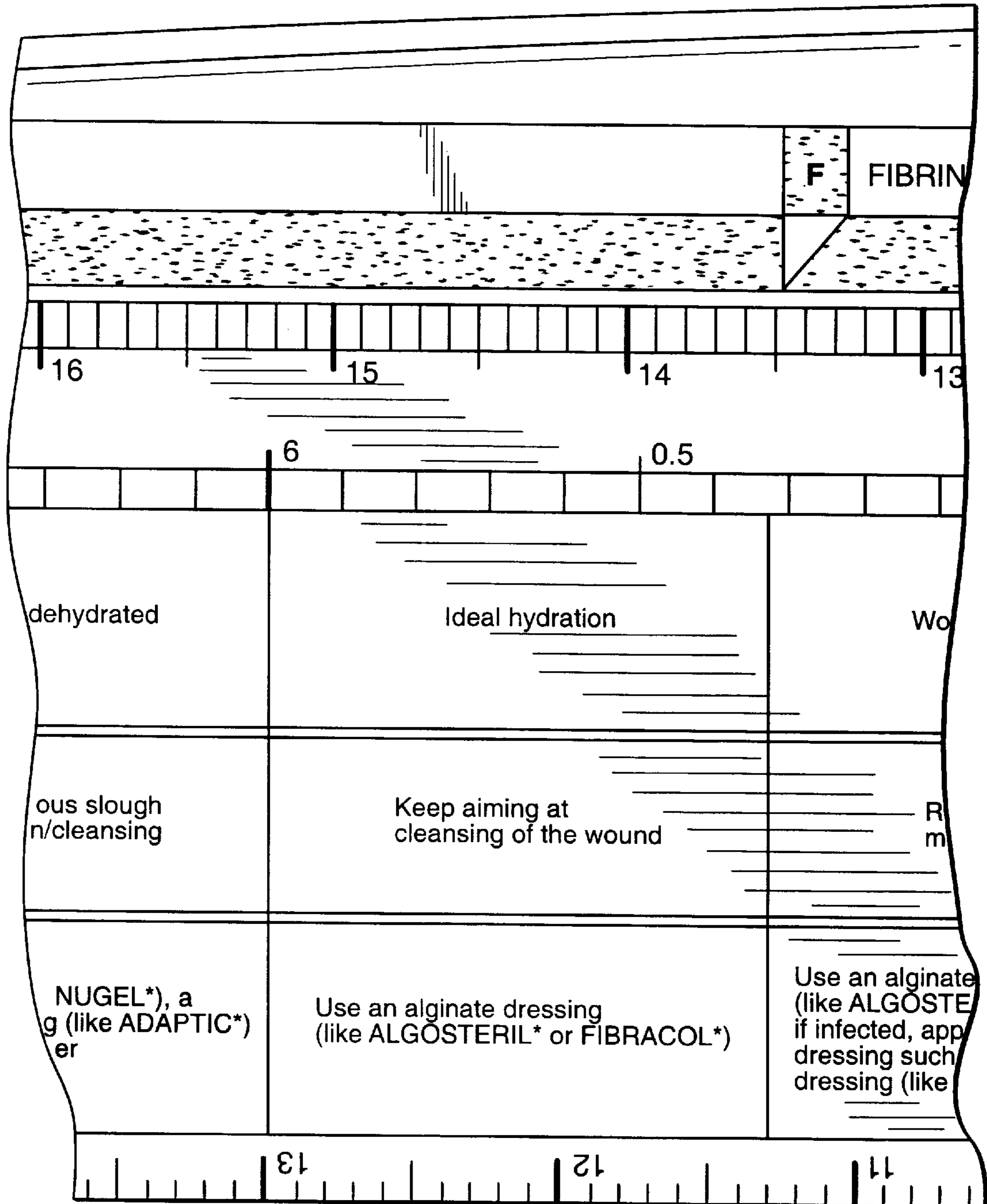


FIG. 11

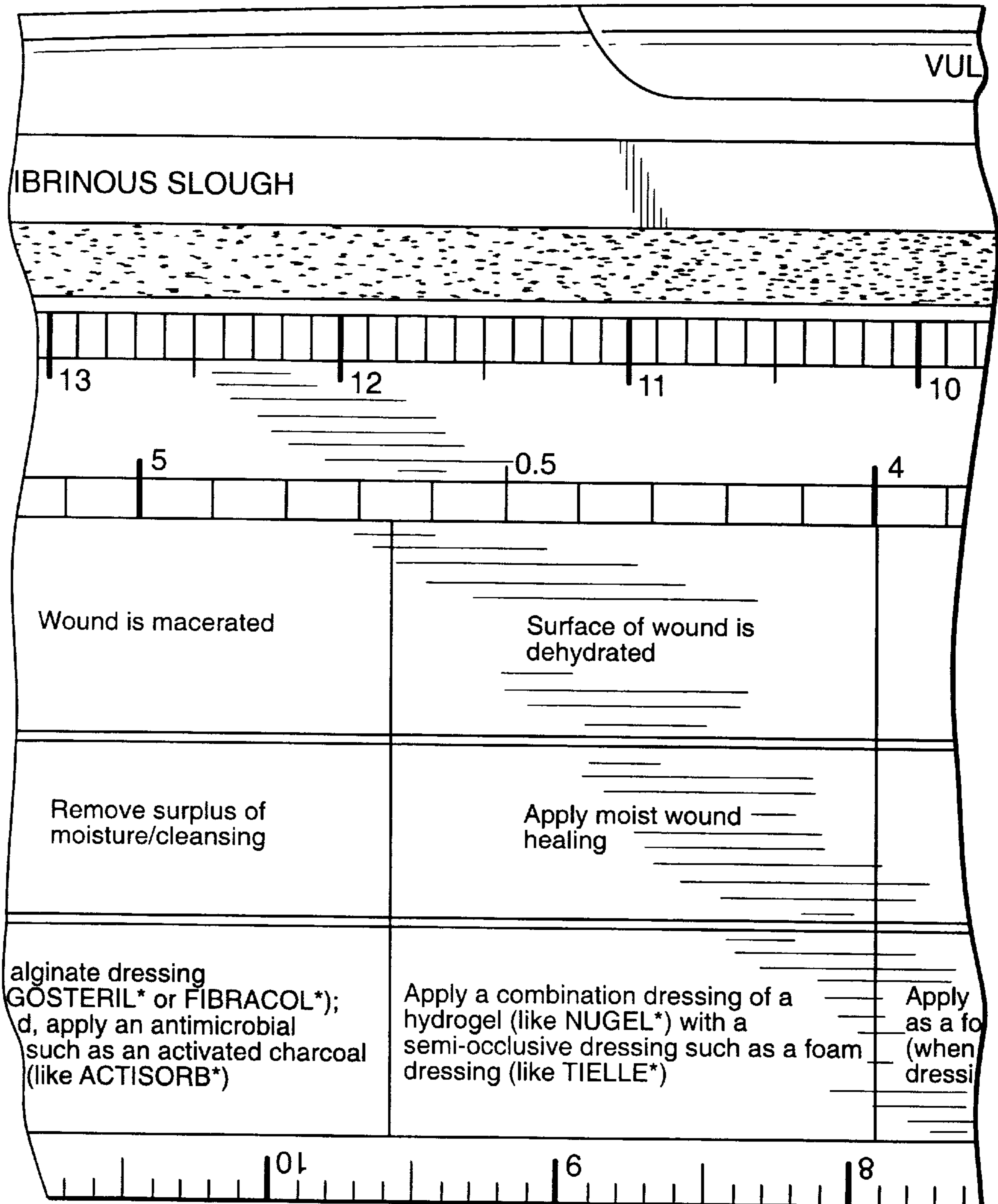


FIG. 12

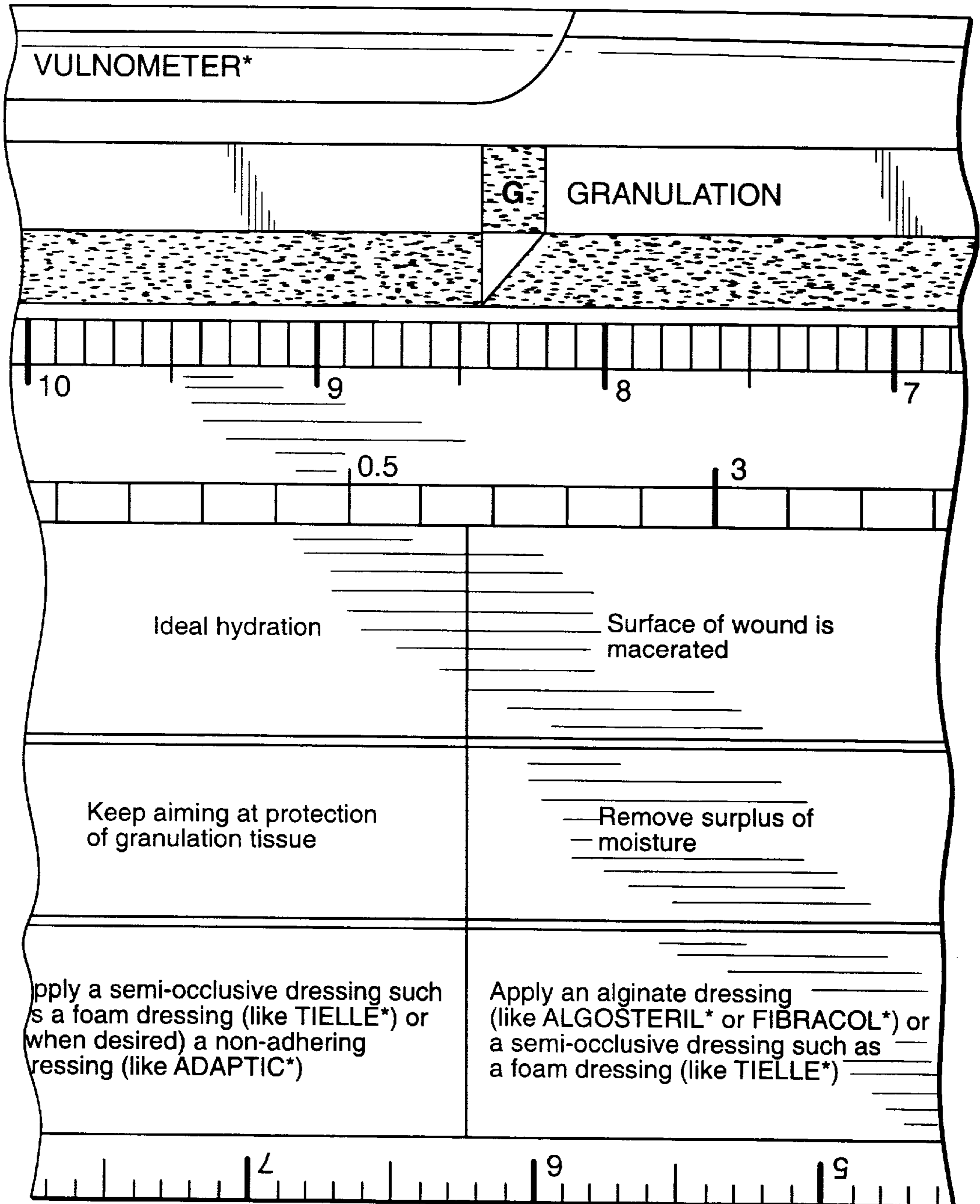


FIG. 13

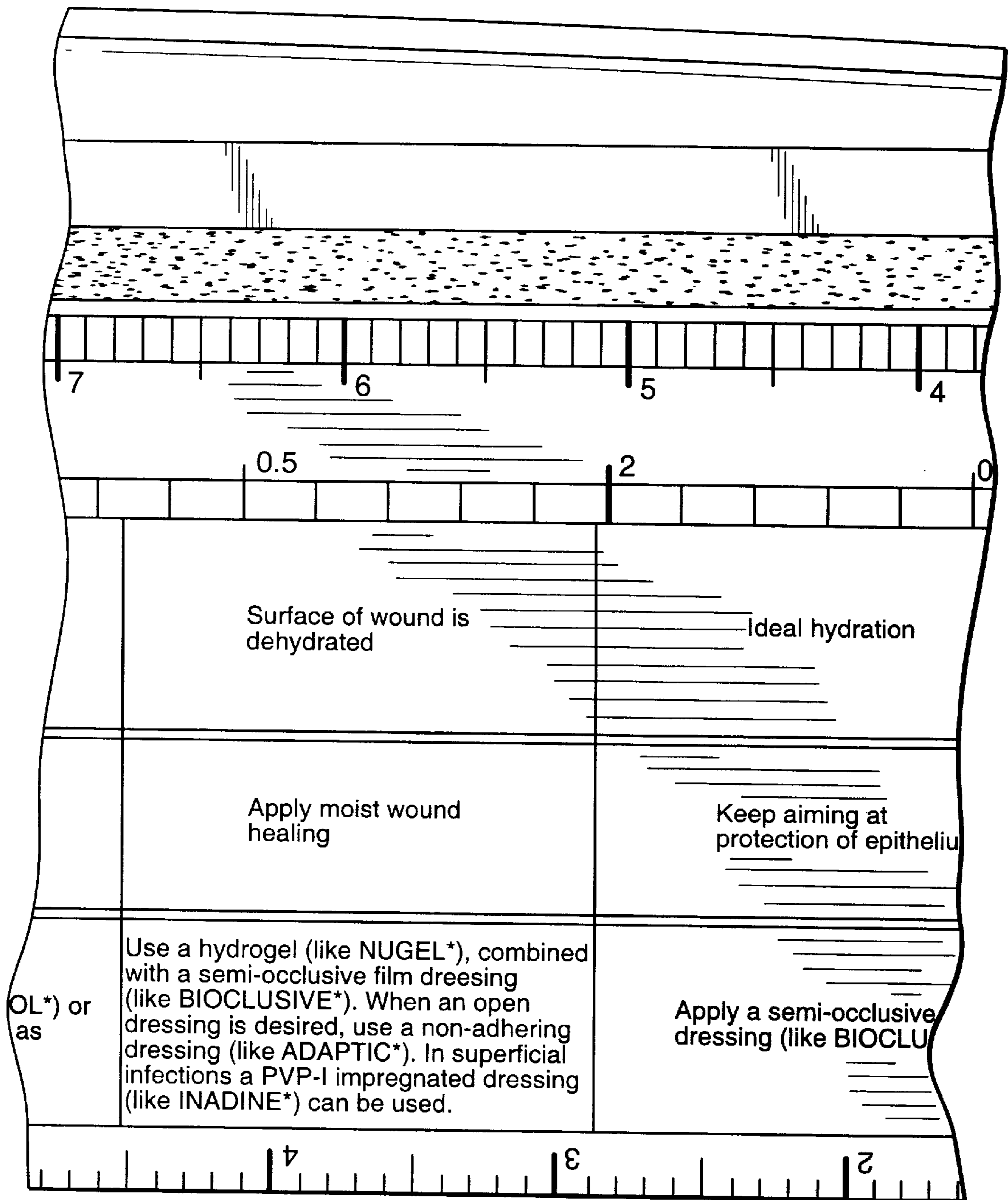


FIG. 14

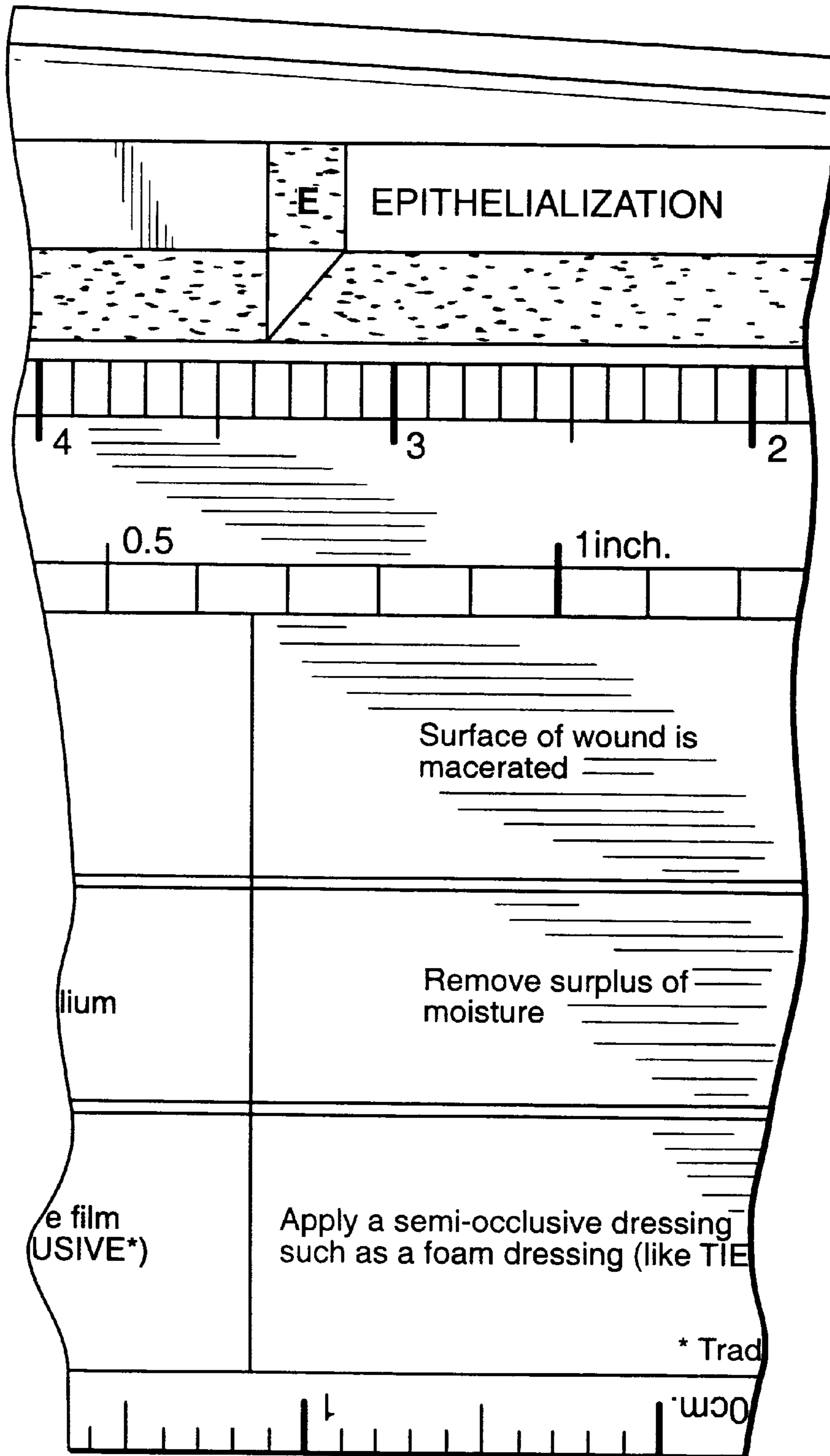


FIG. 15

