



US00D447705B1

(12) **United States Design Patent**  
**Scheufele**

(10) **Patent No.:** **US D447,705 S**

(45) **Date of Patent:** **\*\* Sep. 11, 2001**

(54) **CHRONOGRAPH**

D. 430,043 \* 8/2000 Schopfer ..... D10/39  
3,503,203 \* 3/1970 Mutter et al. .... D10/39 X

(75) Inventor: **Karl-Friedrich Scheufele**, Prangins  
(CH)

**OTHER PUBLICATIONS**

(73) Assignee: **Chopard International S.A.** (CH)

Jeweler's Circular-Keystone—Sep. 1981 p. 25—watch.\*  
Swiss Watch and Jewelry Journal—Feb. 1989—p. 243—  
watch at bottom.\*

(\*\*) Term: **14 Years**

European Jeweler—May 1972—p. 96—watch at bottom.\*

(21) Appl. No.: **29/127,945**

\* cited by examiner

(22) Filed: **Aug. 15, 2000**

*Primary Examiner*—Nelson C. Holtje

(30) **Foreign Application Priority Data**

(74) *Attorney, Agent, or Firm*—McGlew and Tuttle, P.C.

Mar. 22, 2000 (XH) ..... DMA/004 841

(57) **CLAIM**

(51) **LOC (7) Cl.** ..... **10-02**

The ornamental design for a chronograph, as shown and  
described.

(52) **U.S. Cl.** ..... **D10/39**

**DESCRIPTION**

(58) **Field of Search** ..... D10/1-40, 122-132;  
368/280-282, 276-277, 285

FIG. 1 is a top right perspective view of my new chrono-  
graph design;

(56) **References Cited**

**U.S. PATENT DOCUMENTS**

- D. 329,612 \* 9/1992 Hysek ..... D10/39
- D. 336,616 \* 6/1993 Gueit ..... D10/39
- D. 352,469 \* 11/1994 Schlup ..... D10/39
- D. 361,528 \* 8/1995 Hayashi et al. .... D10/39
- D. 378,498 \* 3/1997 Wettstein ..... D10/39
- D. 386,421 \* 11/1997 Kennedy ..... D10/30

FIG. 2 is a top view thereof;

FIG. 3 is a bottom view thereof;

FIG. 4 is a right side view thereof;

FIG. 5 is a left side view thereof;

FIG. 6 is a front end view thereof; and,

FIG. 7 is a rear end view thereof.

**1 Claim, 1 Drawing Sheet**



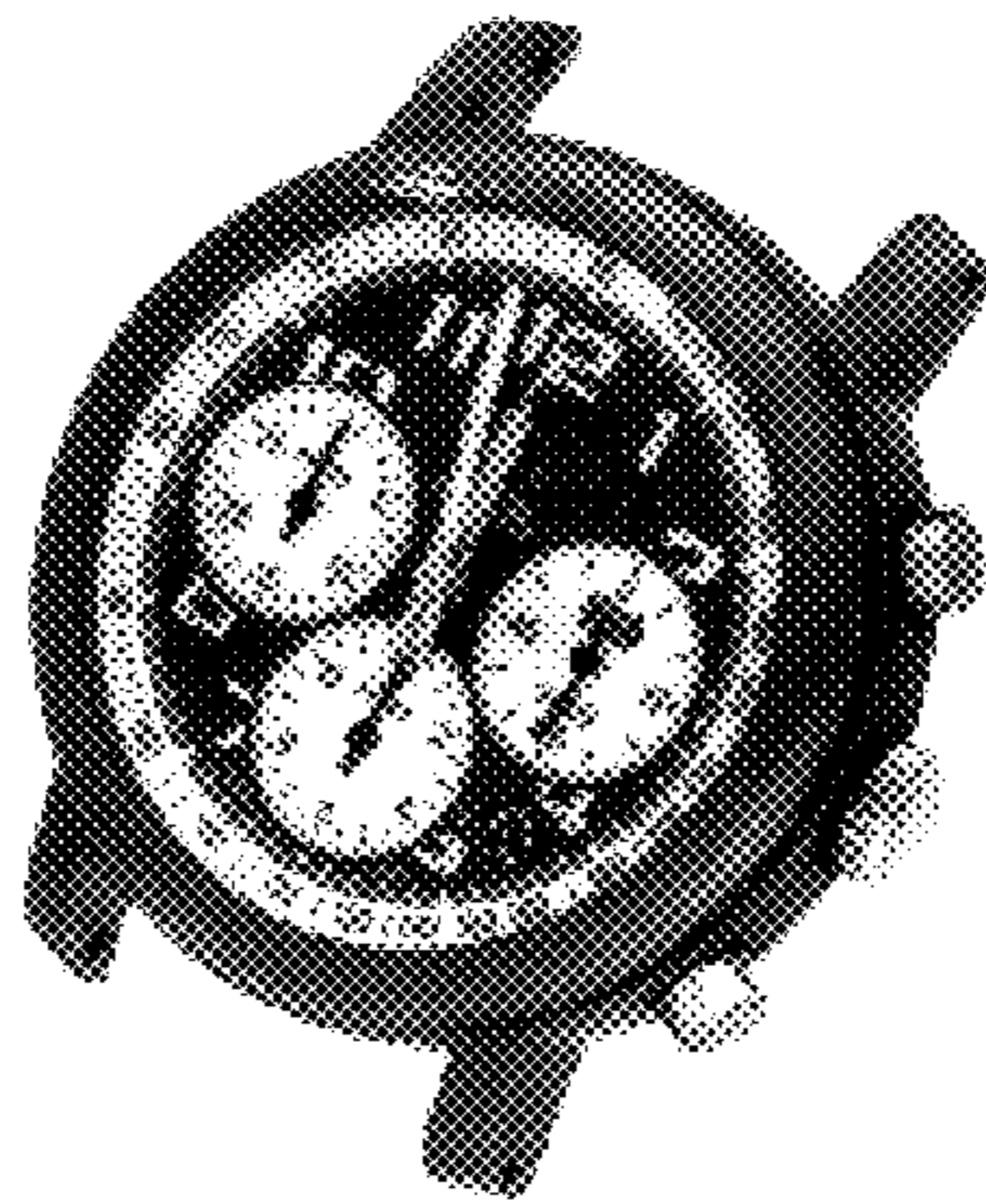


Fig. 1



Fig. 2

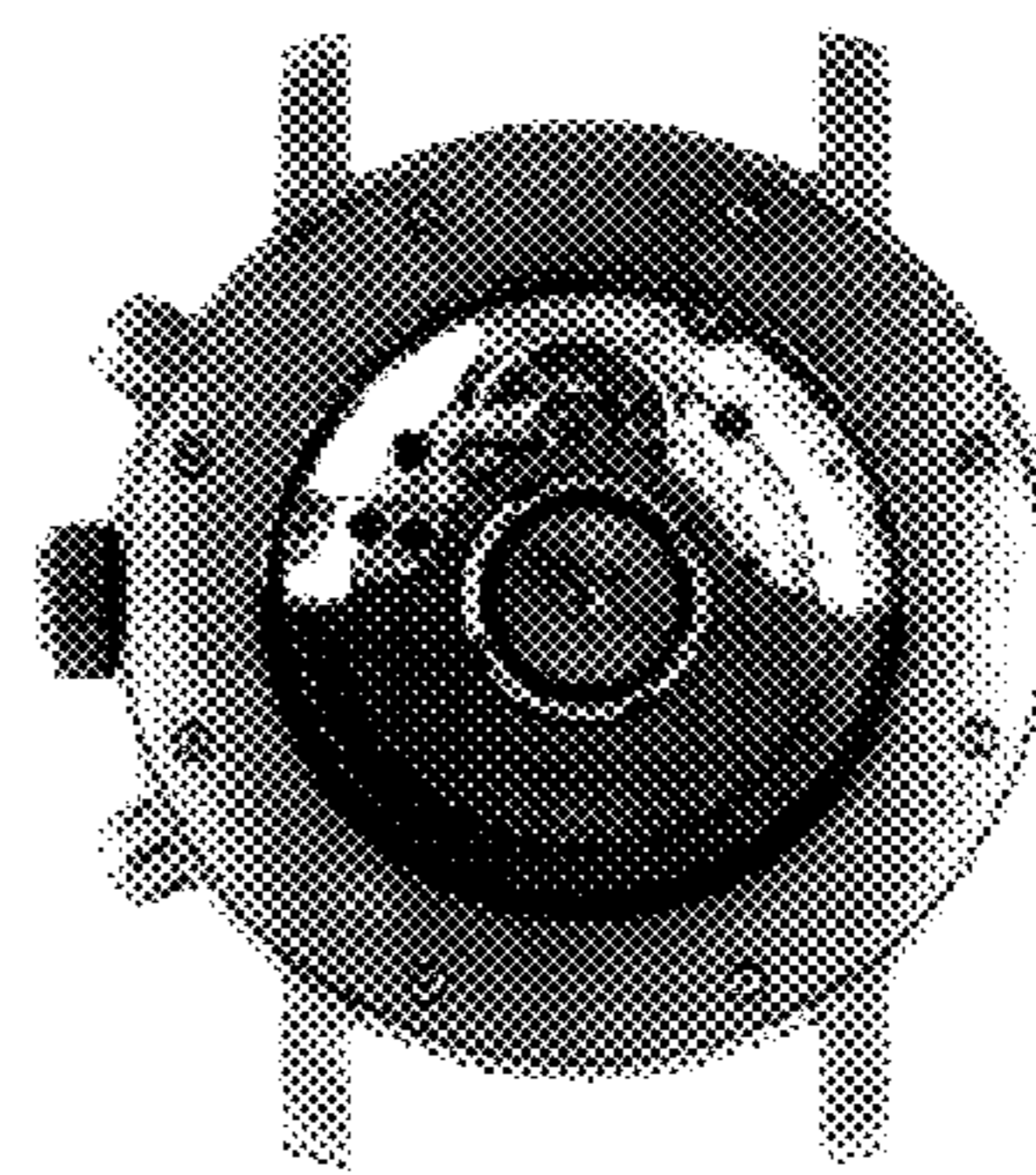


Fig. 3

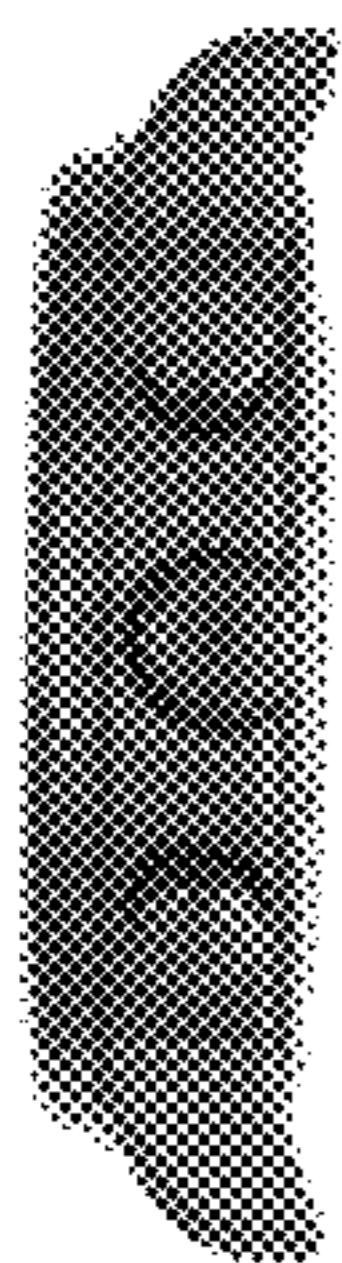


Fig. 4

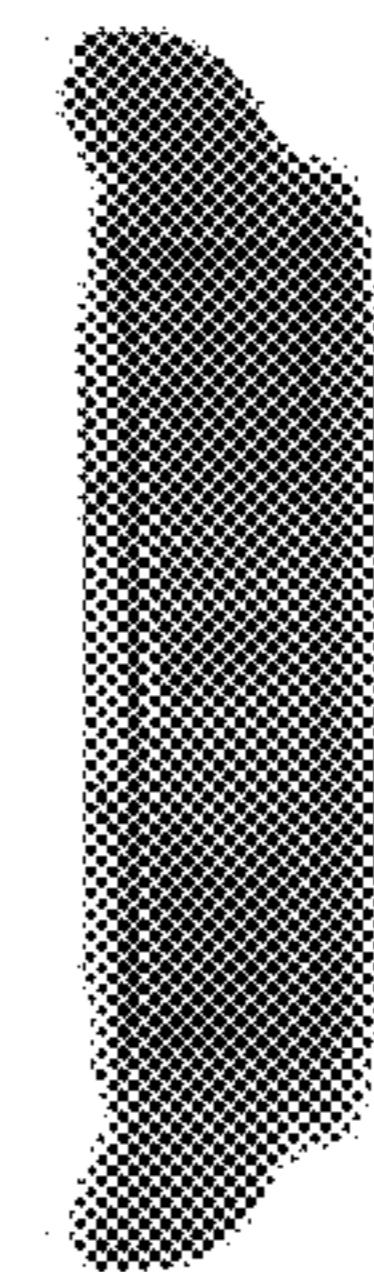


Fig. 5

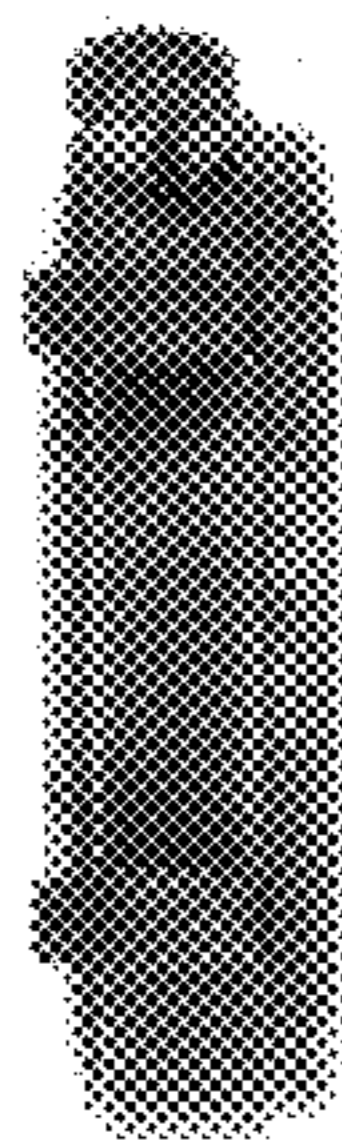


Fig. 6

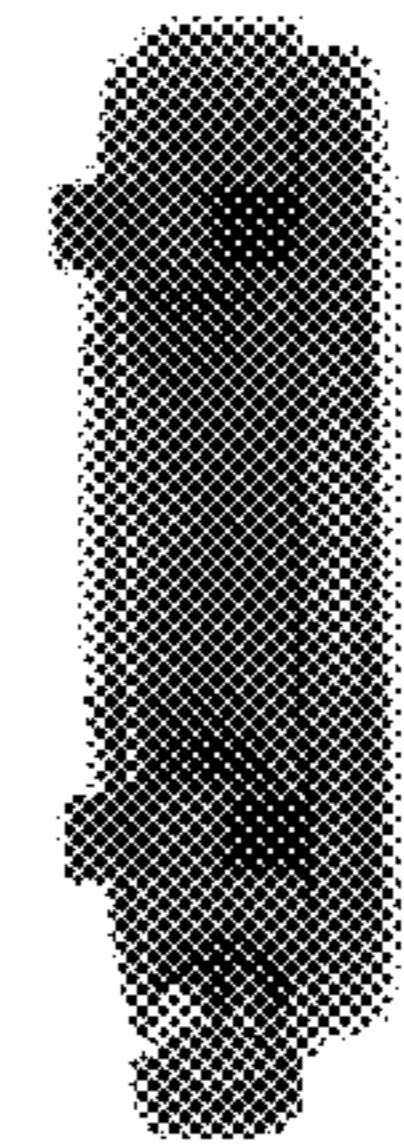


Fig. 7