



US00D447693B1

(12) **United States Design Patent**
Warner et al.

(10) **Patent No.:** **US D447,693 S**

(45) **Date of Patent:** **** Sep. 11, 2001**

(54) **CONTAINER**

(75) Inventors: **Jim F. Warner**, Hoboken; **Robert J. Croft**, Jersey City, both of NJ (US);
Martin Short, New York, NY (US)

(73) Assignee: **Nestec, S.A.**, Vevey (CH)

(**) Term: **14 Years**

(21) Appl. No.: **29/118,389**

(22) Filed: **Feb. 9, 2000**

(51) **LOC (7) Cl.** **09-03**

(52) **U.S. Cl.** **D9/503; D9/450; D9/574**

(58) **Field of Search** D9/438, 445, 450,
D9/416, 500, 502-504, 509, 511, 513, 516,
529-530, 539-542, 549, 558, 569, 574;
215/381-384, 396, 398; 220/906

(56) **References Cited**

U.S. PATENT DOCUMENTS

D. 187,162	*	2/1960	Lerner et al.	D9/502
D. 266,648	*	10/1982	Plewes et al.	D9/503
D. 285,656	*	9/1986	Champion	D9/503
D. 321,649	*	11/1991	Lambe Jr., et al.	D9/503
D. 333,268	*	2/1993	Arlinghaus et al.	D9/538
D. 339,290	*	9/1993	Close	D9/447

D. 405,372	*	2/1999	Yucknut	D9/504
D. 408,689	*	4/1999	Kato	D7/608
D. 411,745	*	6/1999	Mohary et al.	D9/449
D. 418,758	*	1/2000	Yucknut	D9/500
D. 428,813	*	8/2000	Haley	D9/500
D. 436,040	*	1/2001	Warner et al.	D9/449
5,139,163	*	8/1992	Diaz	220/258
5,240,132	*	8/1993	Tucker	220/212

* cited by examiner

Primary Examiner—Philip S. Hyder
Assistant Examiner—Carol Rademaker

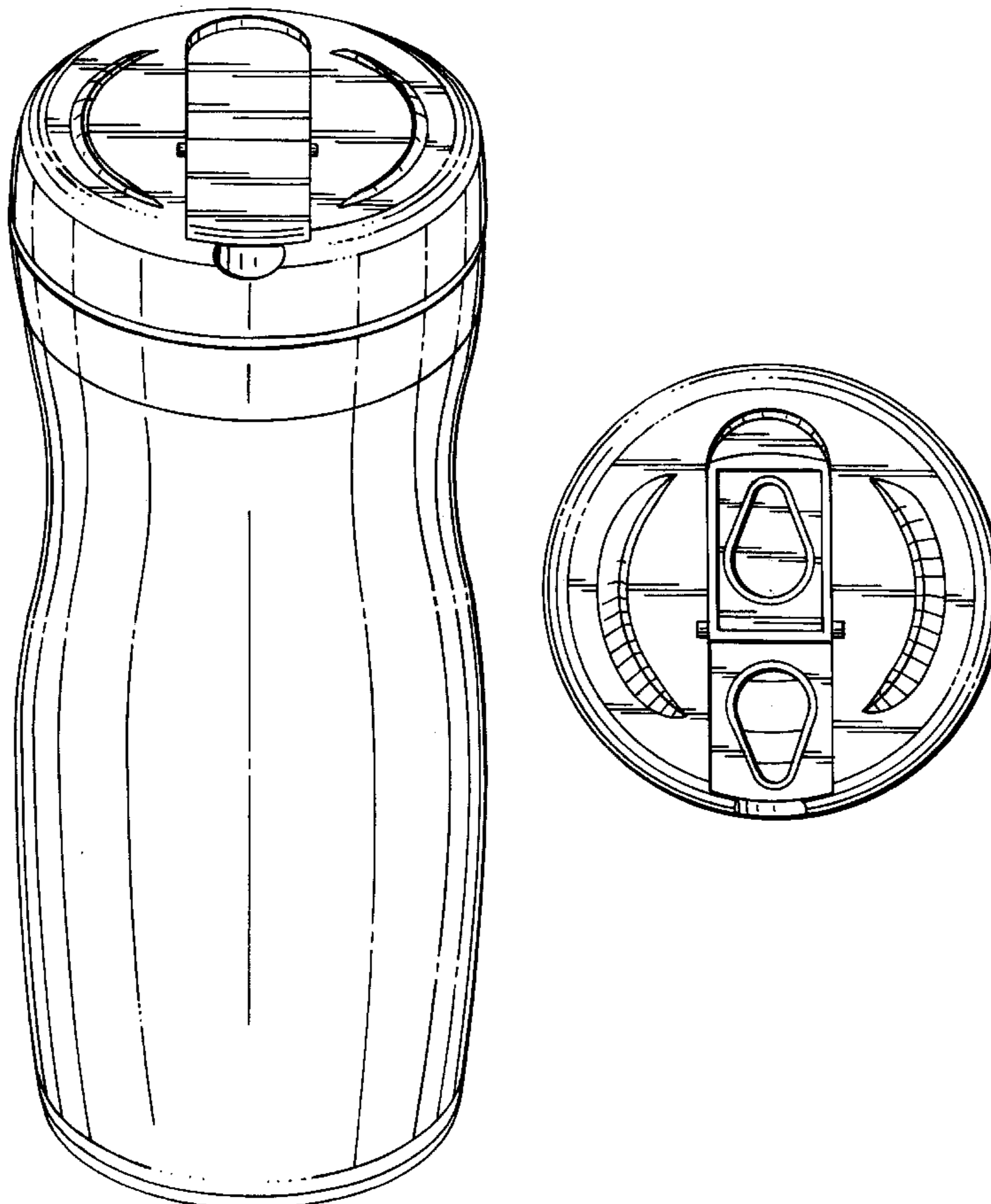
(57) **CLAIM**

The ornamental design for a container, as shown and described.

DESCRIPTION

FIG. 1 is a perspective view of a container showing our new design;
FIG. 2 is an exploded view thereof;
FIG. 3 is a front elevational view thereof;
FIG. 4 is a rear elevational view;
FIG. 5 is a side elevational view;
FIG. 6 is a top plan view with discharge spout closed; and,
FIG. 7 is a top plan view with discharge spout open.

1 Claim, 5 Drawing Sheets



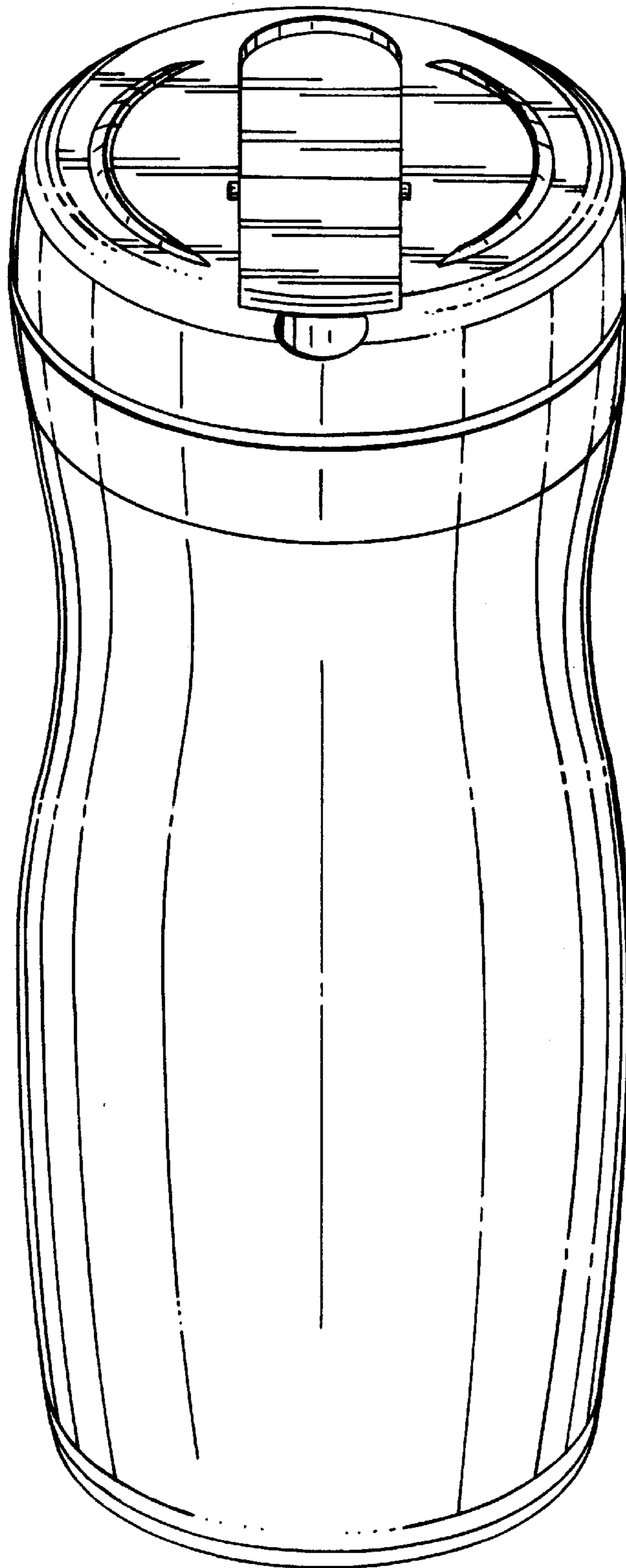
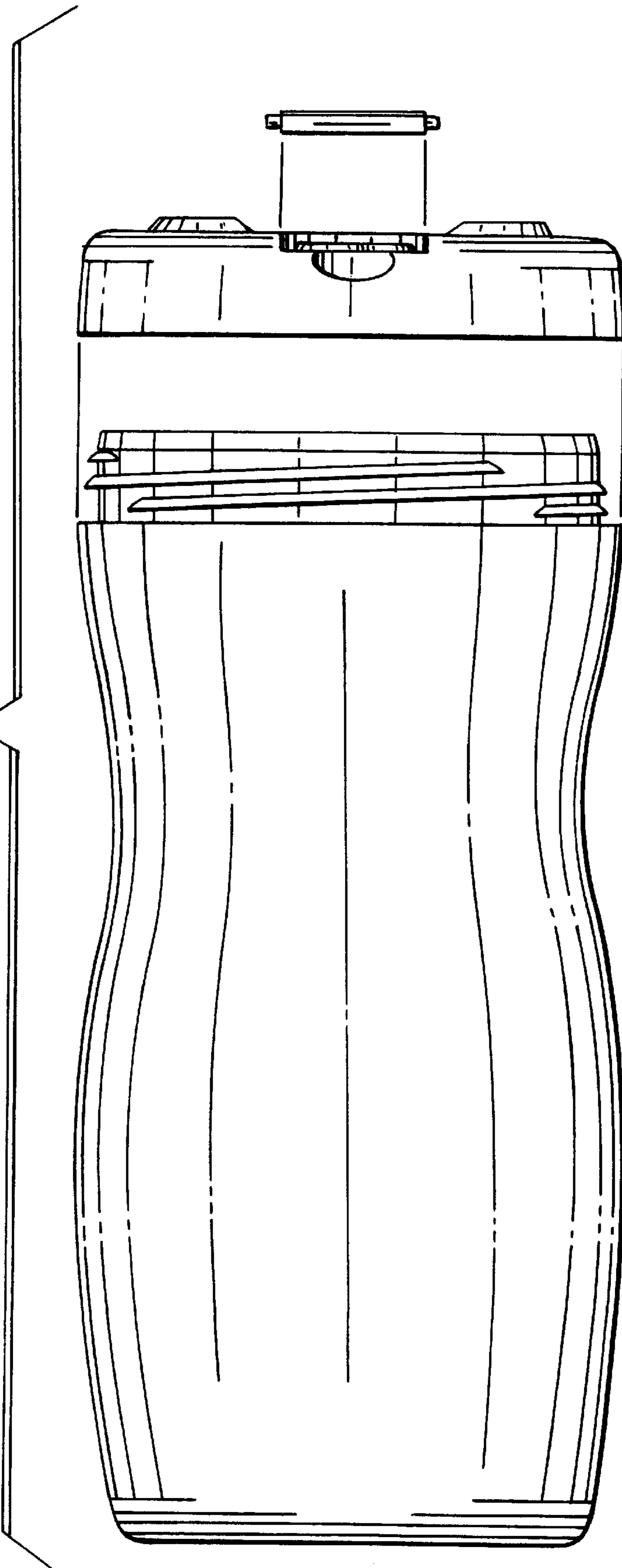


Fig. 1

Fig. 2



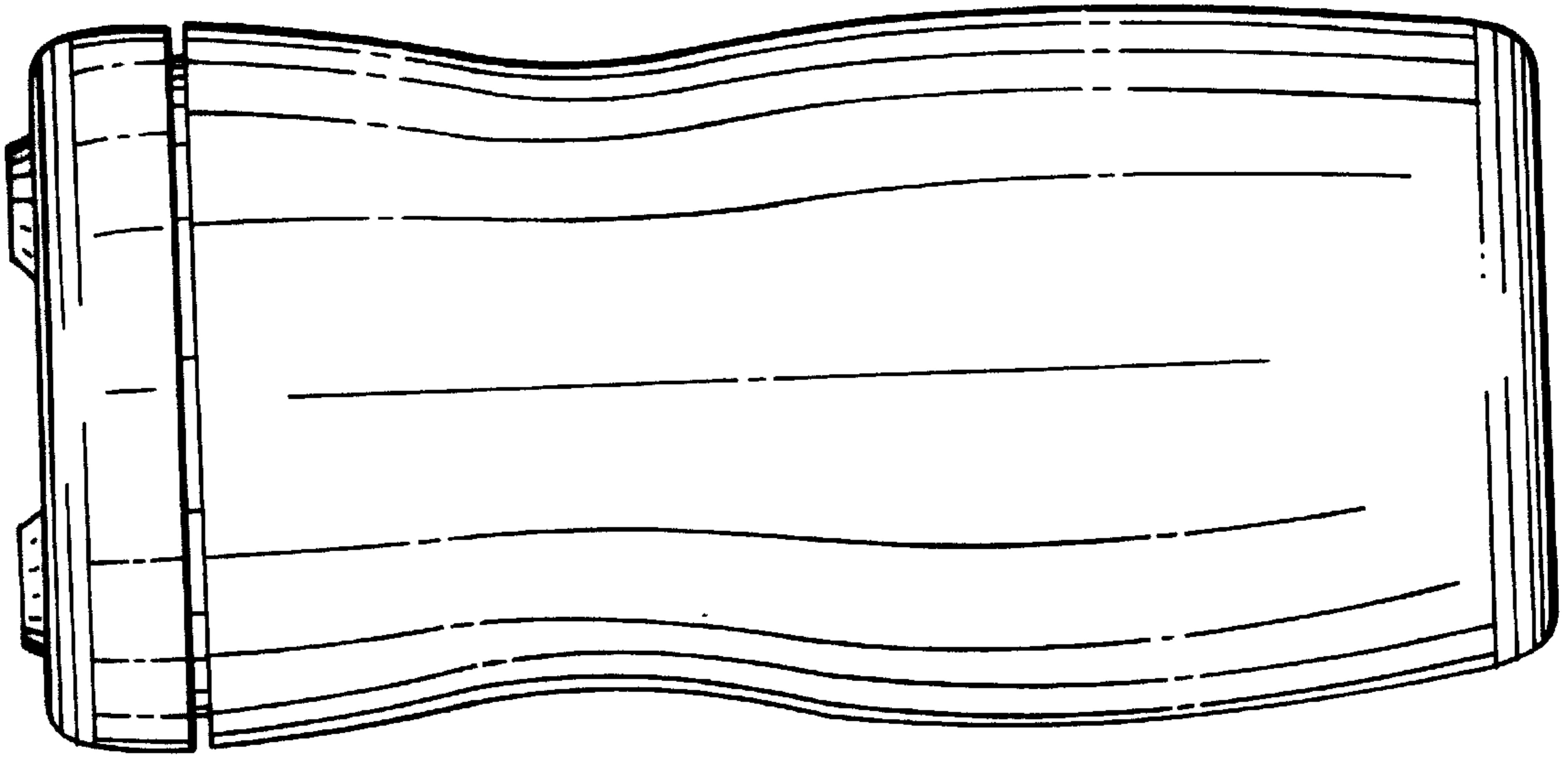


Fig. 4

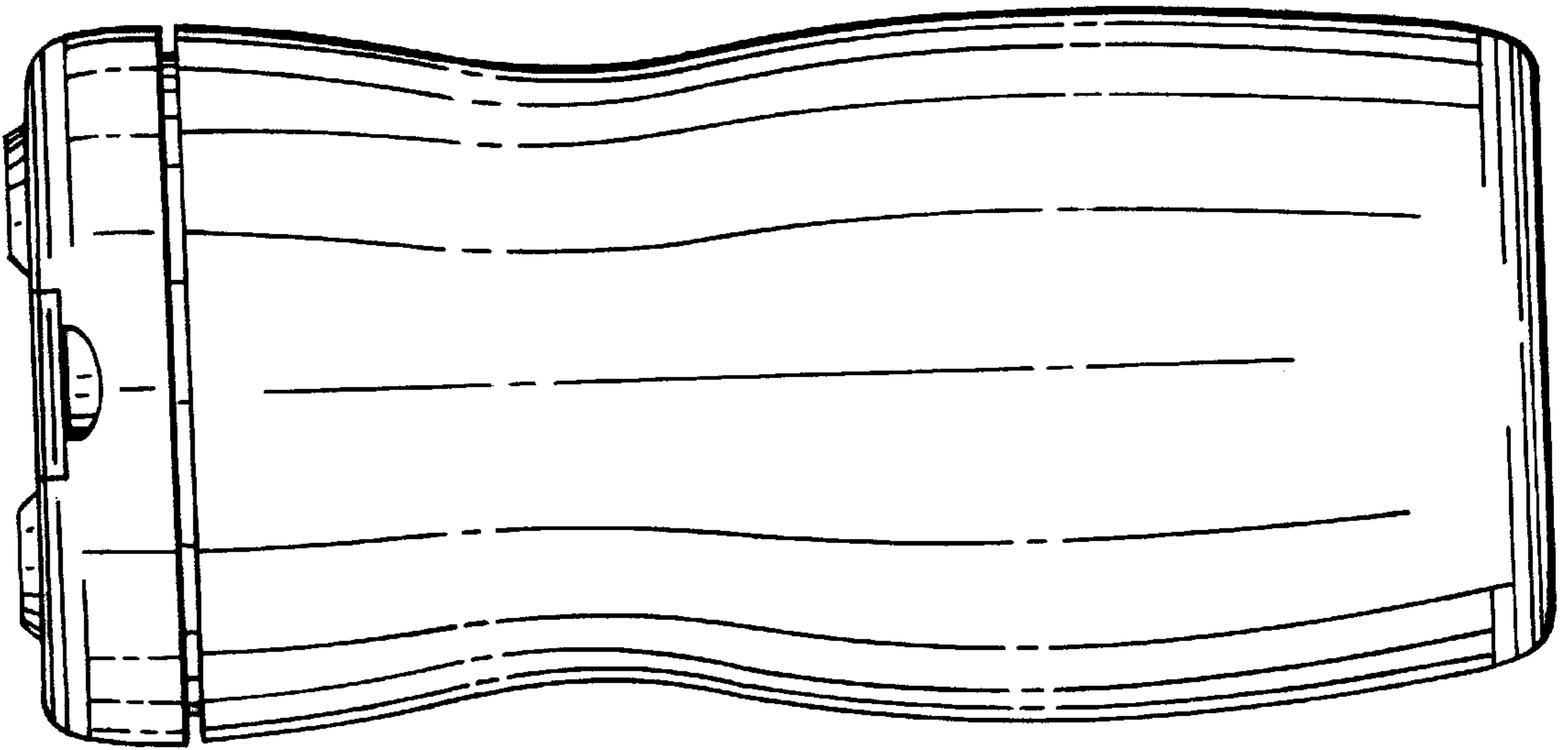


Fig. 3

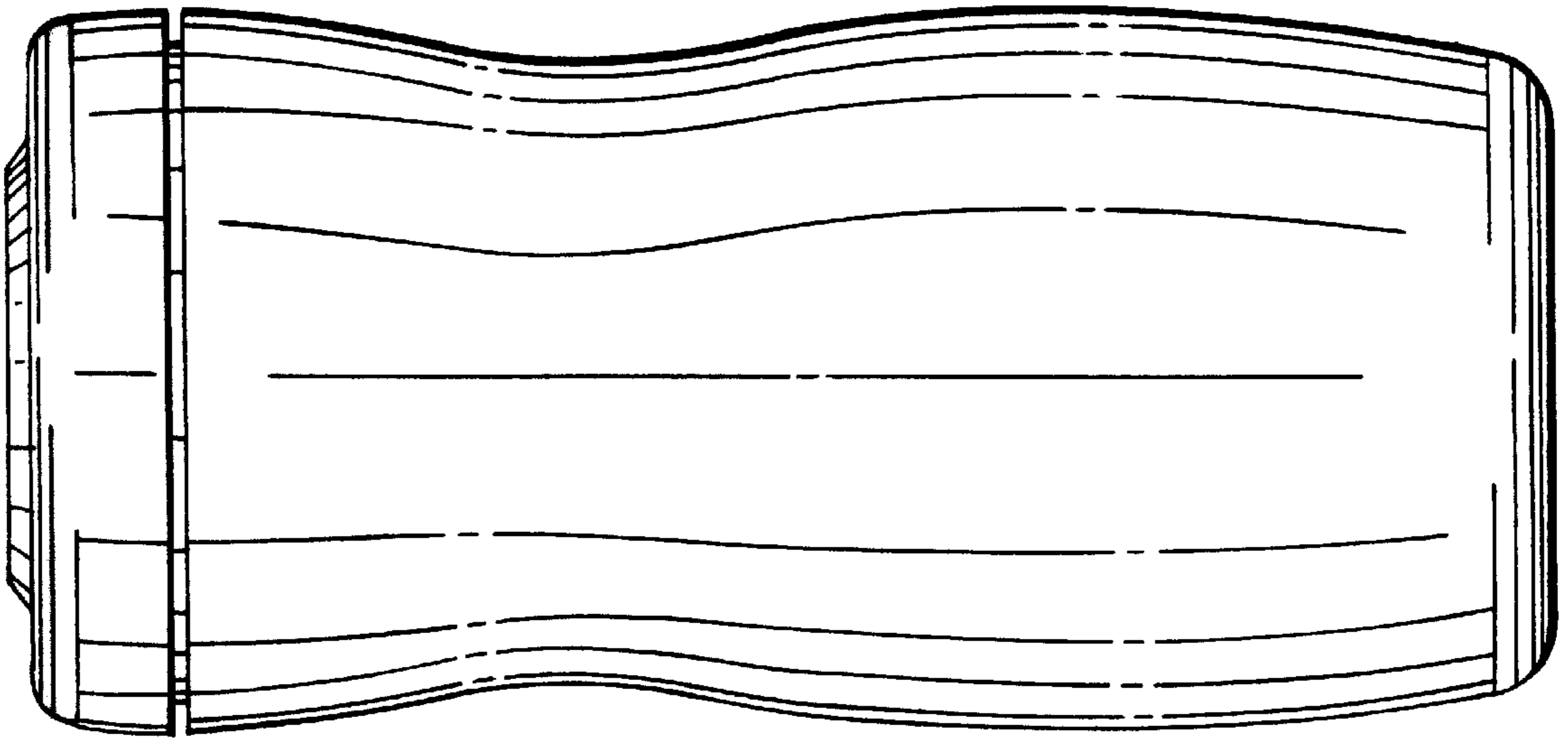


Fig. 5

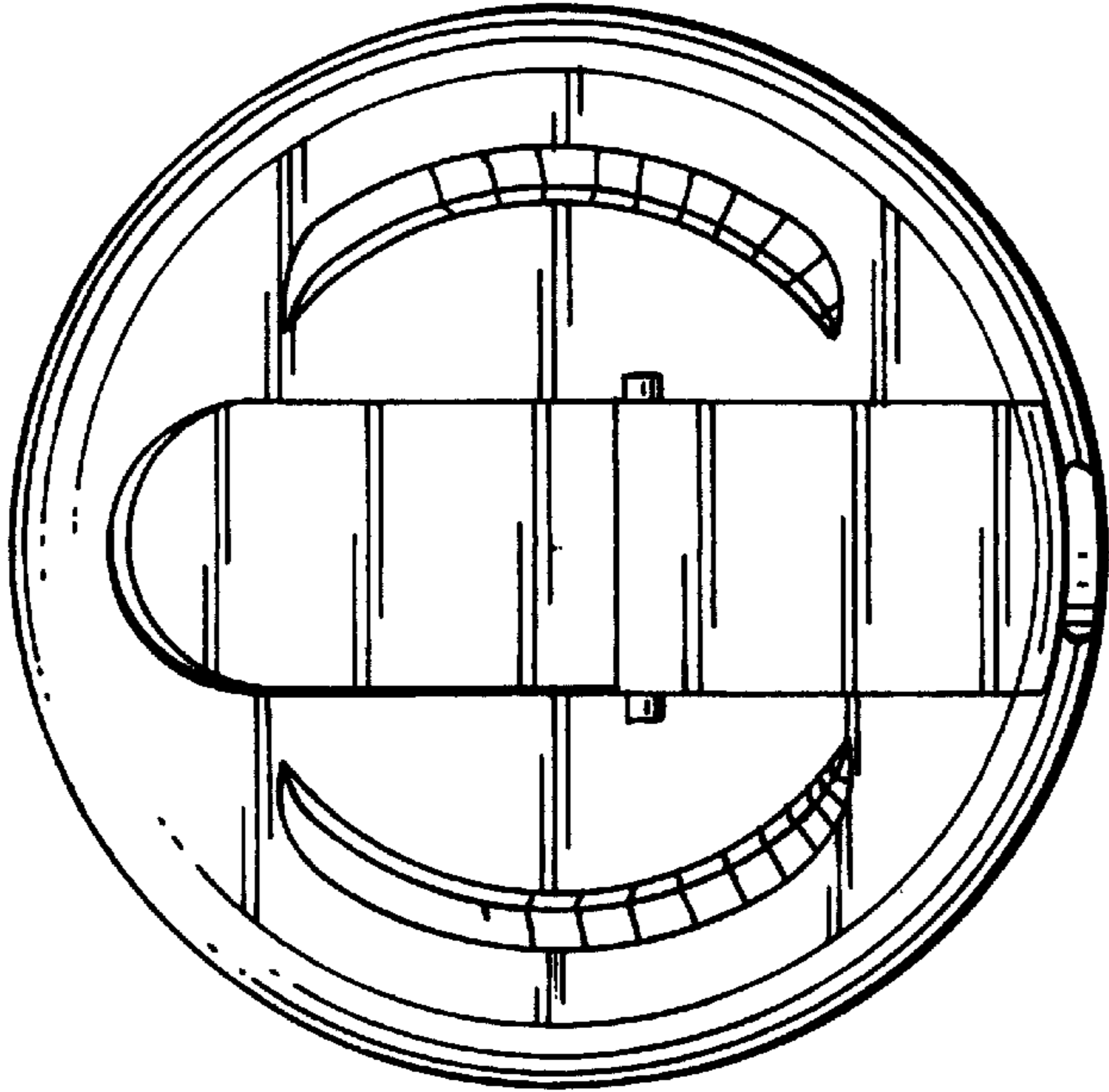


Fig. 6

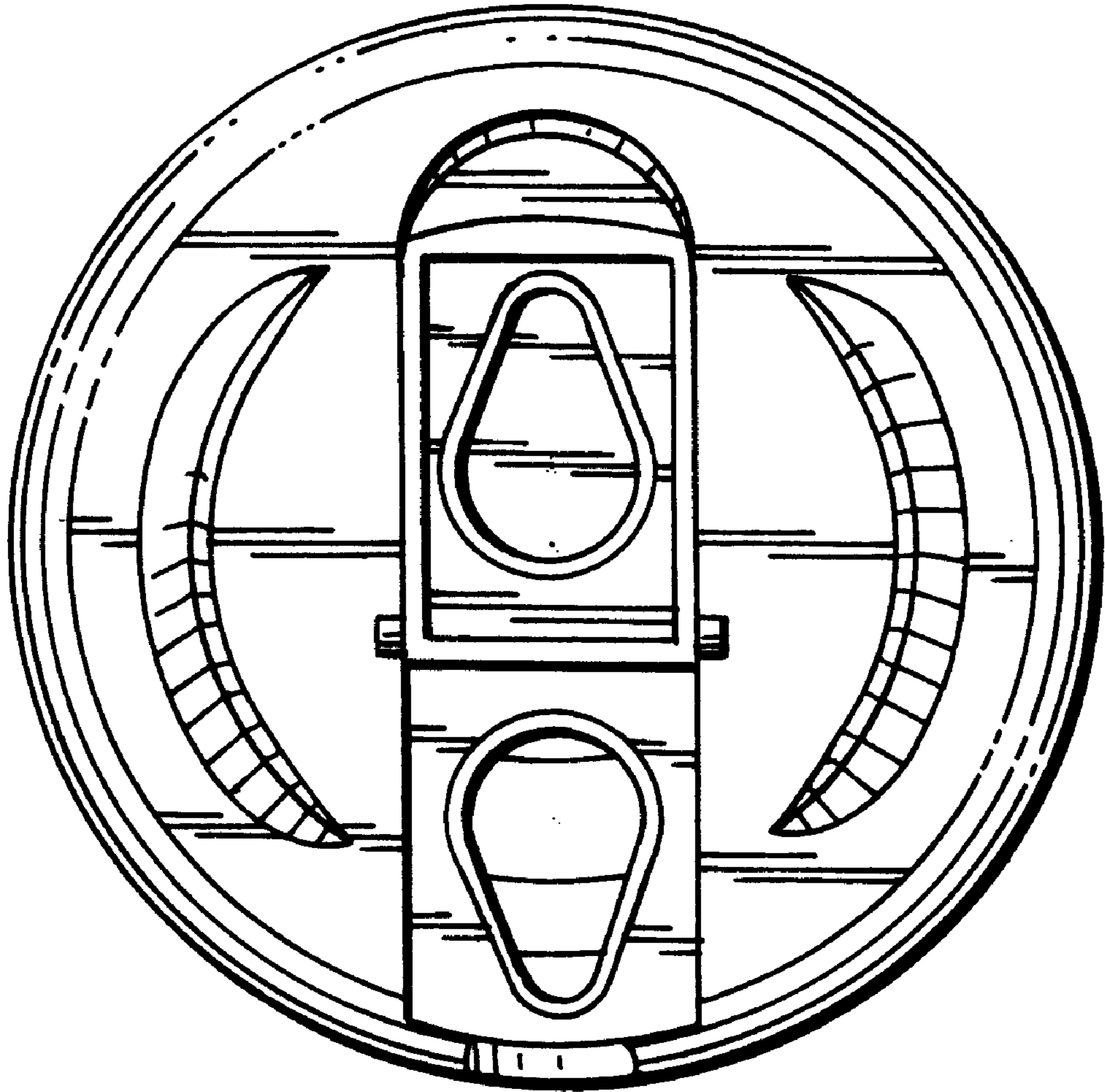


Fig. 7