



US00D447691B1

(12) **United States Design Patent**
Messer

(10) **Patent No.:** **US D447,691 S**

(45) **Date of Patent:** **** Sep. 11, 2001**

(54) **BAG CLIP AND SPOON**

(76) **Inventor:** **Steven Messer**, 570 Abby La. #2,
Branson, MO (US) 65616

(**) **Term:** **14 Years**

(21) **Appl. No.:** **29/134,457**

(22) **Filed:** **Dec. 20, 2000**

(51) **LOC (7) Cl.** **09-07**

(52) **U.S. Cl.** **D9/436; D7/643**

(58) **Field of Search** D9/434, 435, 436;
D4/116; D7/643, 644; 383/13, 29, 30, 31;
24/16 R, 30.5 R, 30.5 P

(56) **References Cited**

U.S. PATENT DOCUMENTS

D. 276,596 * 12/1984 Kisha D9/435

D. 431,004 * 9/2000 Naslund D9/435

* cited by examiner

Primary Examiner—Cathron C. Brooks

(74) *Attorney, Agent, or Firm*—Joseph L. Johnson; William
A. Rudy; James M. Stipek

(57) **CLAIM**

The ornamental design for a bag clip and spoon, as shown
and described.

DESCRIPTION

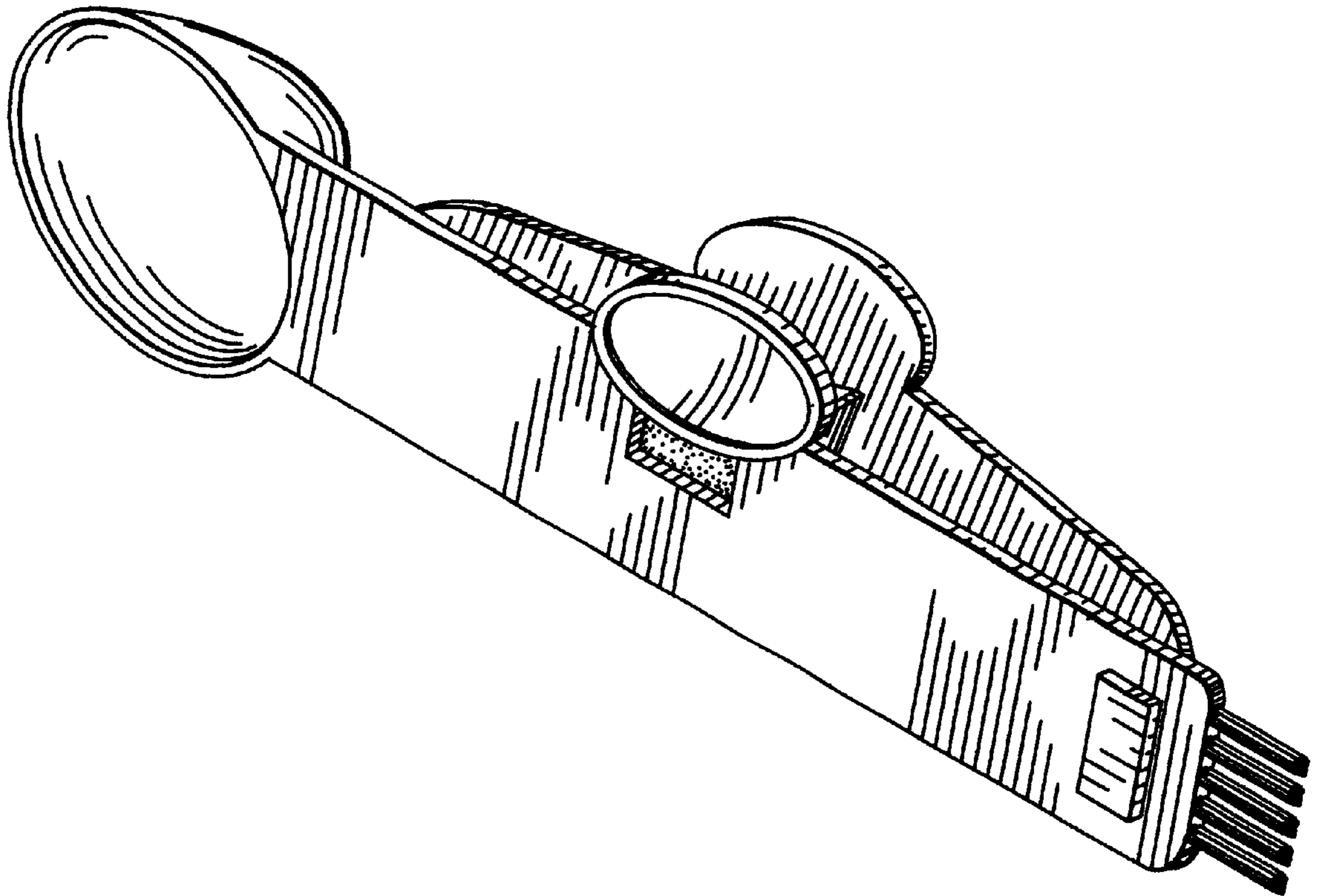
FIG. 1 is a perspective view of a side of the bag clip and
spoon;

FIG. 2 is a front elevation view of the bag clip and spoon;
FIG. 3 is a rear elevation view of the back of the bag clip and
spoon;

FIG. 4 is an elevation view of the spoon end of the bag clip
and spoon; and,

FIG. 5 is an elevation view of the brush end of the bag clip
and spoon.

1 Claim, 3 Drawing Sheets



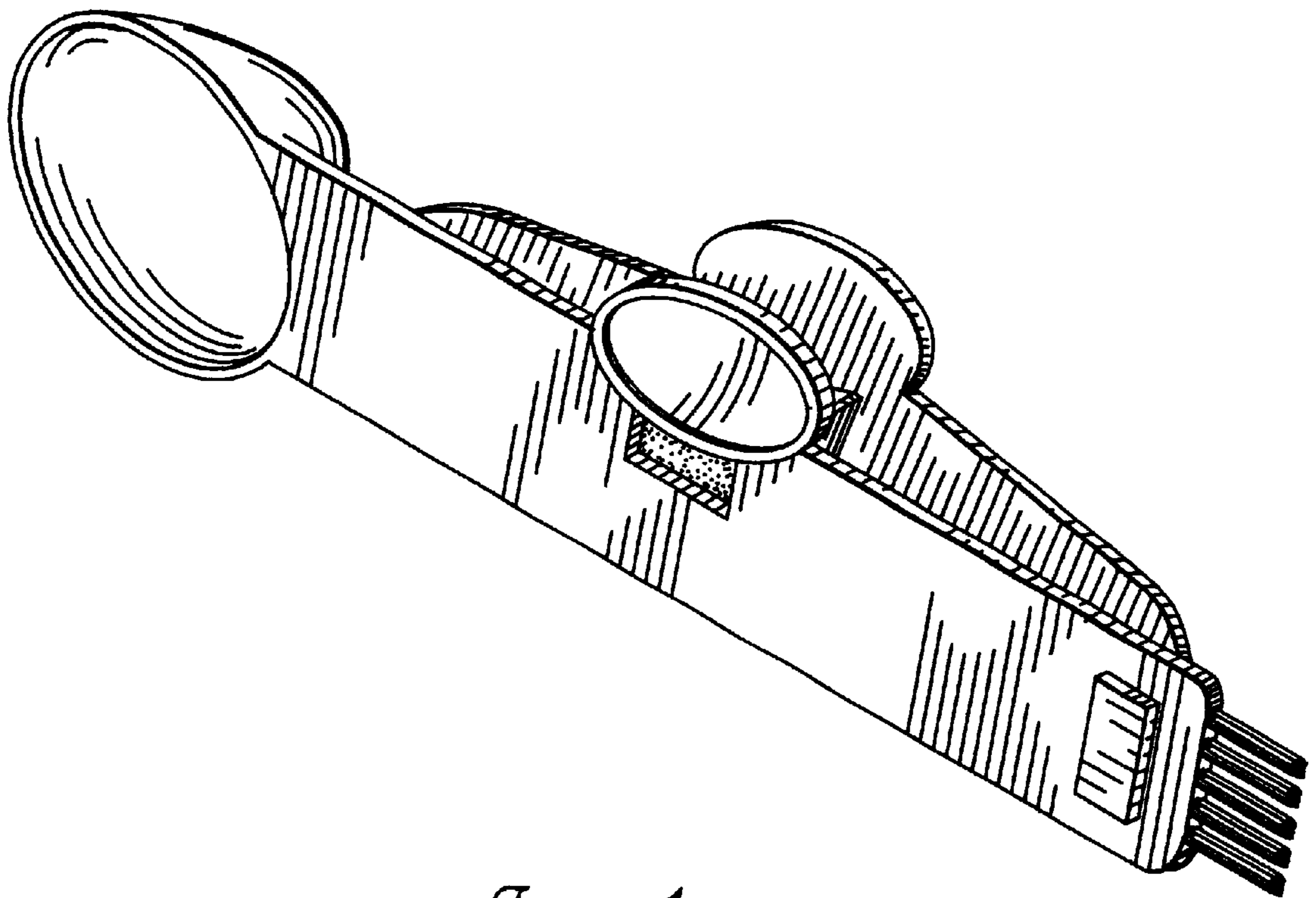


Fig. 1

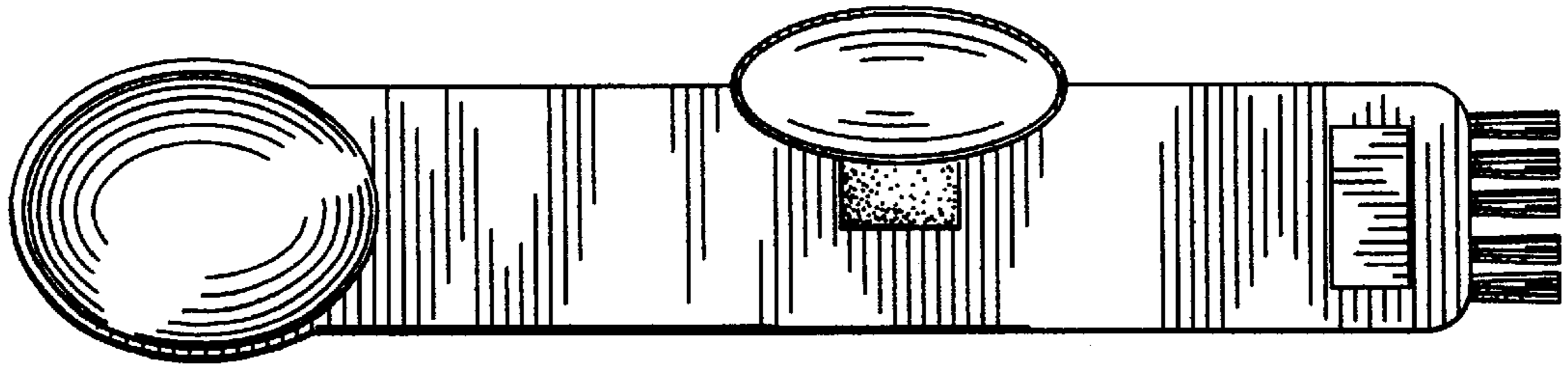


Fig. 2

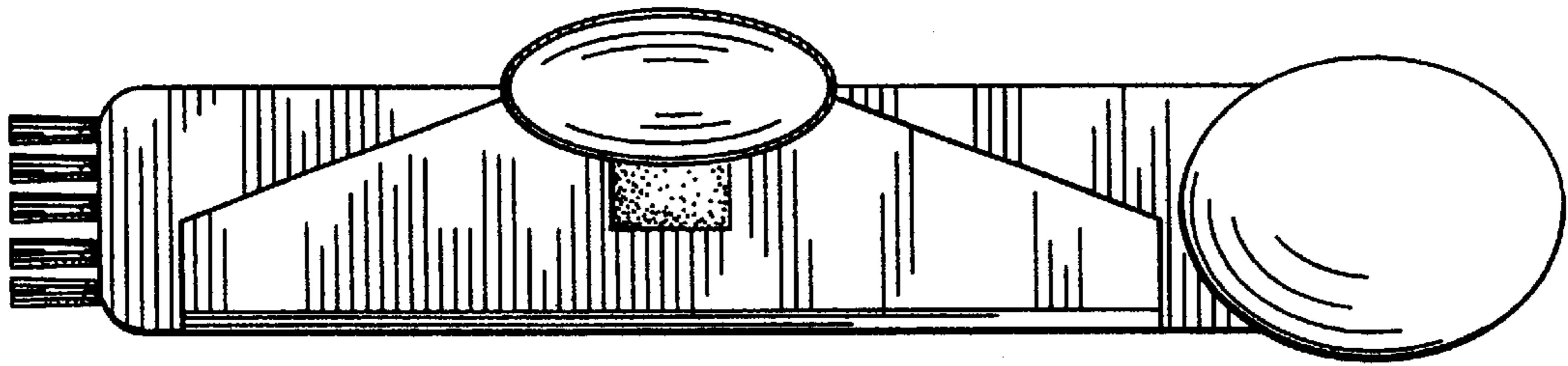


Fig. 3

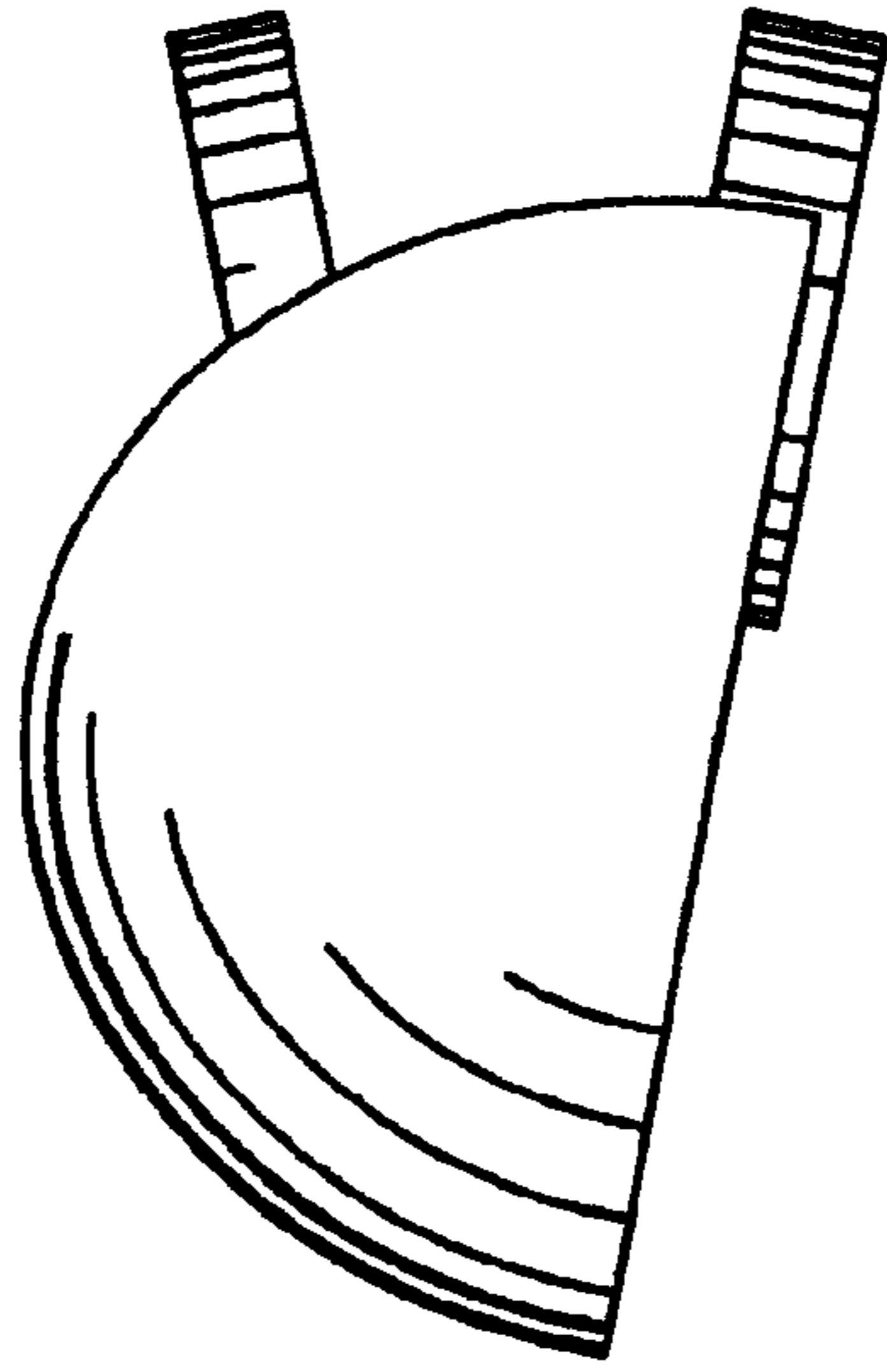


Fig. 4

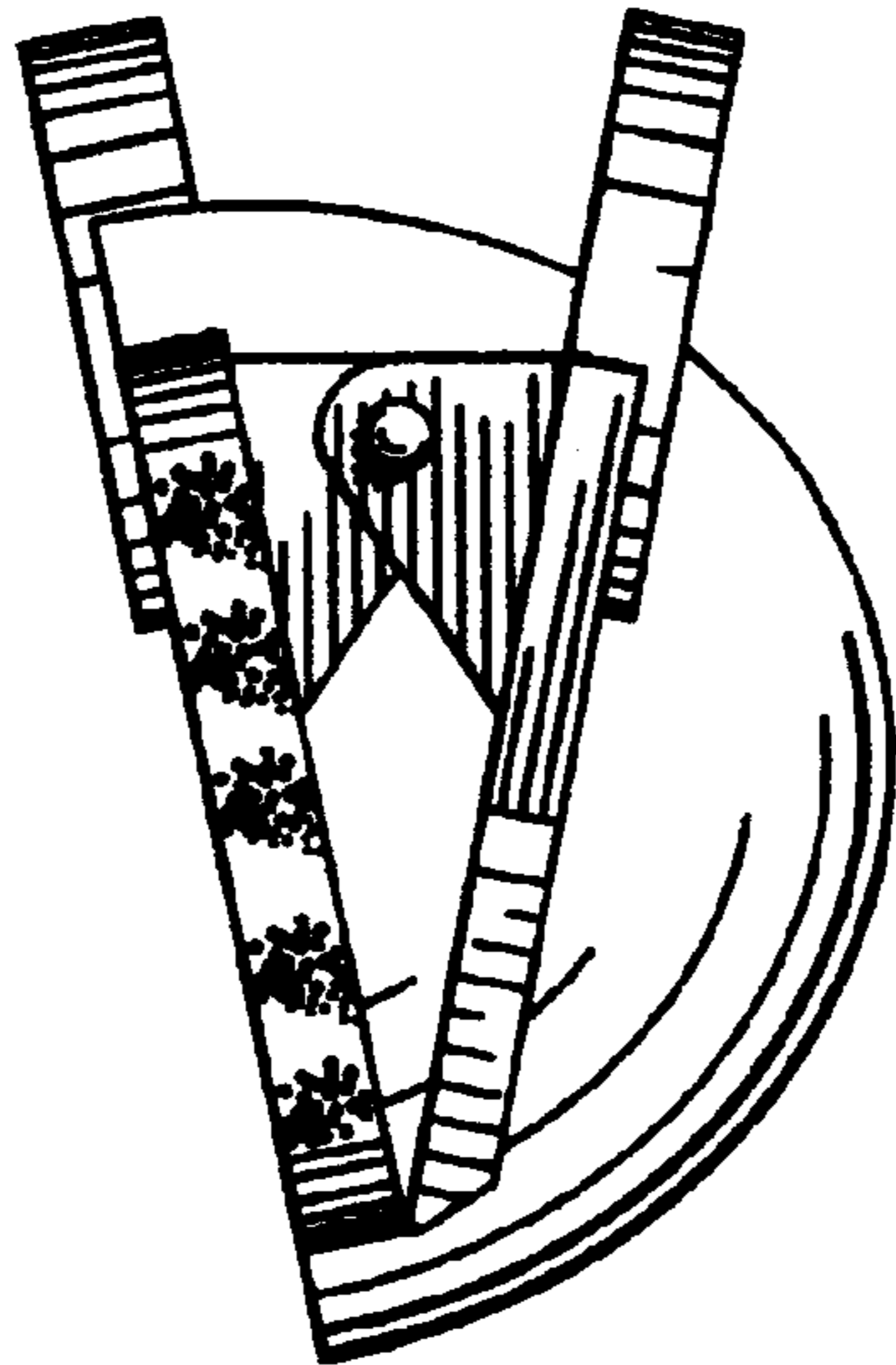


Fig. 5