



US00D447690B1

(12) **United States Design Patent**  
**Lichtman et al.**

(10) **Patent No.:** **US D447,690 S**

(45) **Date of Patent:** **\*\* Sep. 11, 2001**

(54) **BOTTLE PORTION**

(75) Inventors: **Jeff Lichtman**, Chicago; **Susan L. Colten**, Wilmette; **John Bretz**, Crystal Lake, all of IL (US); **David P. Piccioli**, Auburn, NH (US); **Suppayan M. Krishnakumar**, Nashua, NH (US); **Wayne N. Collette**, Merrimack, NH (US)

(73) Assignee: **Stokely-Van Camp, Inc.**, Chicago, IL (US)

(\*\*) Term: **14 Years**

(21) Appl. No.: **29/134,347**

(22) Filed: **Dec. 19, 2000**

**Related U.S. Application Data**

(62) Division of application No. 29/102,678, filed on Mar. 26, 1999, now Pat. No. Des. 439,167.

(51) **LOC (7) Cl.** ..... **09-01**

(52) **U.S. Cl.** ..... **D9/434; D9/539; D9/551**

(58) **Field of Search** ..... D9/539, 551, 564, D9/537, 538, 540, 434, 557; 215/381, 382, 383, 384, 370, 371, 372, 373

(56) **References Cited**

**U.S. PATENT DOCUMENTS**

D. 182,540 \* 4/1958 Soubier ..... D9/551  
D. 224,511 \* 8/1972 Koenigsberg ..... D9/551

D. 231,083 \* 4/1974 Campbell ..... D9/551  
D. 361,269 \* 8/1995 Fenton et al. .... D9/537  
D. 372,194 \* 7/1996 Dallaire ..... D9/539  
D. 390,471 \* 2/1998 Ito ..... D9/539  
D. 414,112 \* 9/1999 Waggaman et al. .... D9/557  
D. 436,043 \* 1/2001 Krishnakumar et al. .... D9/537  
4,818,575 \* 4/1989 Hirata et al. .... 215/382  
5,971,184 \* 10/1999 Krishnakumar ..... 215/384  
6,044,997 \* 4/2000 Ogg ..... 215/381

\* cited by examiner

*Primary Examiner*—Lucy Lieberman

(74) *Attorney, Agent, or Firm*—Lars S. Johnson

(57) **CLAIM**

The ornamental design for a bottle portion, as shown and described.

**DESCRIPTION**

FIG. 1 is a perspective view of a bottle portion showing a new design;

FIG. 2 is front elevational view of the bottle portion depicted in FIG. 1, the opposite rear elevational view being identical; FIG. 3 is a side elevational view of the bottle portion depicted in FIG. 2, representing a partial rotation of the bottle portion about its vertical center axis from the front elevational view depicted in FIG. 2, the opposite side elevational view being identical; and,

FIG. 4 is a top plan view of the bottle portion depicted in FIG. 2.

The broken line environmental showing is for illustrative purposes only and does not form part of the claimed design.

**1 Claim, 2 Drawing Sheets**

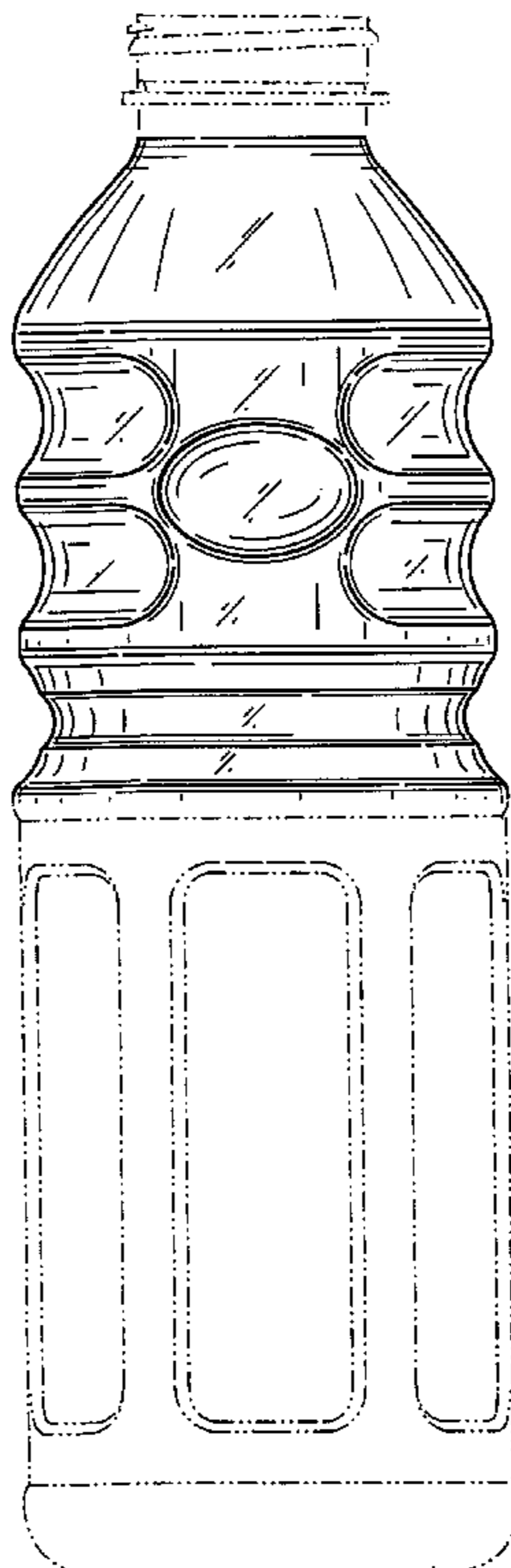


FIG. 1

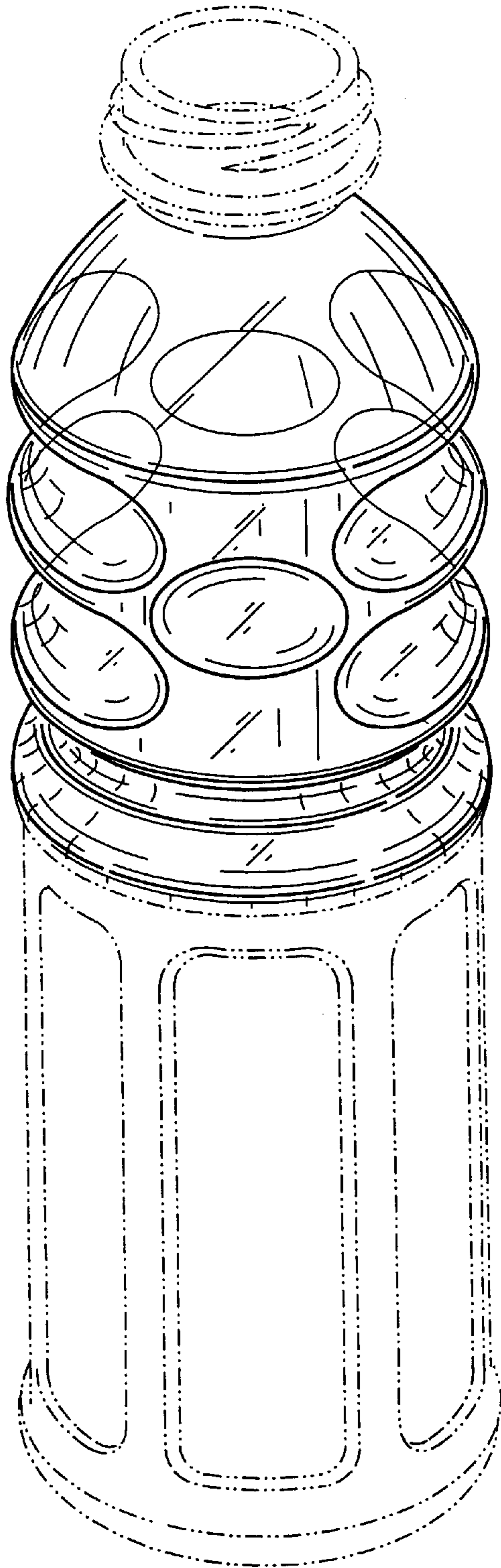


FIG. 4

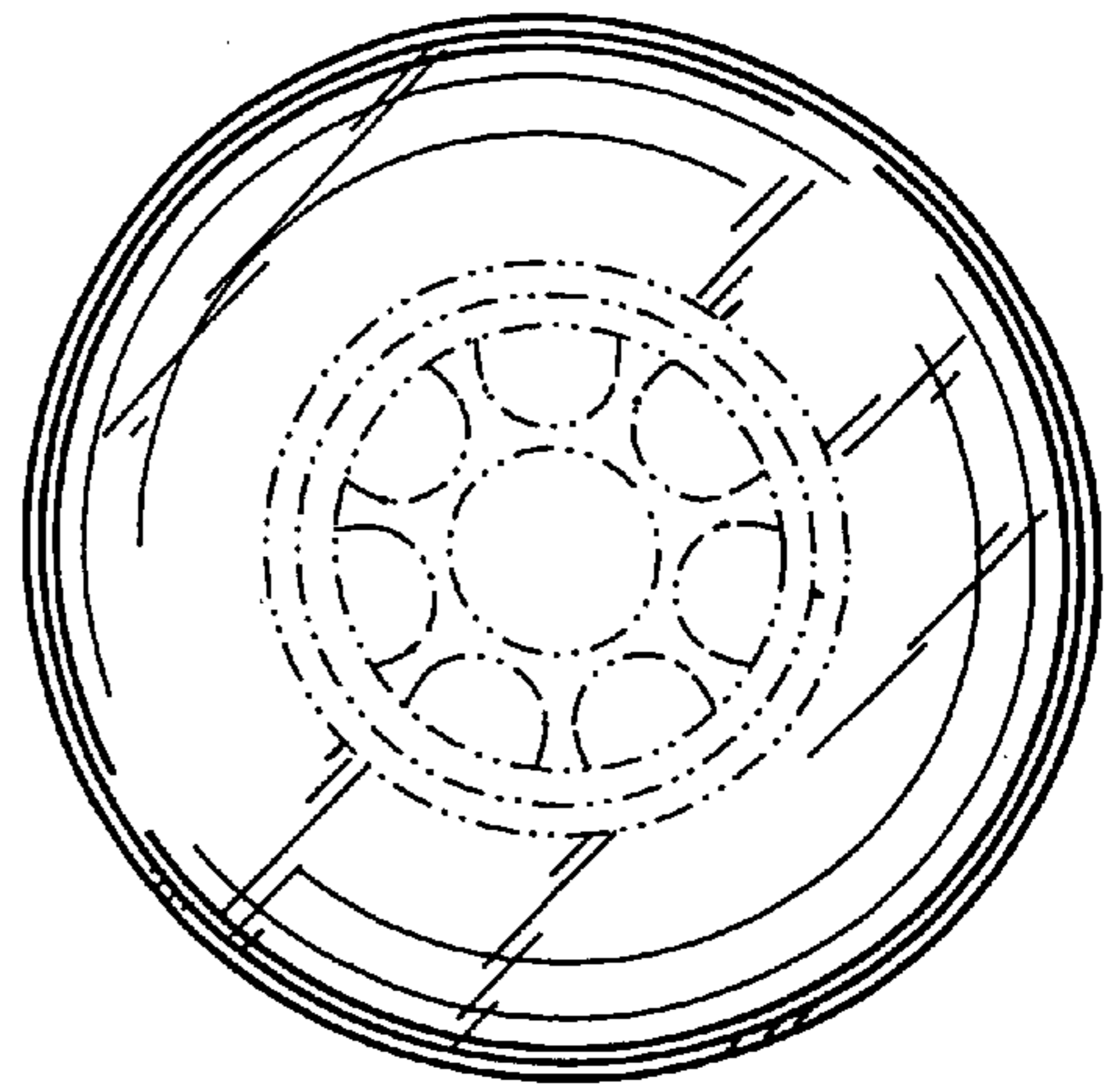


FIG. 2

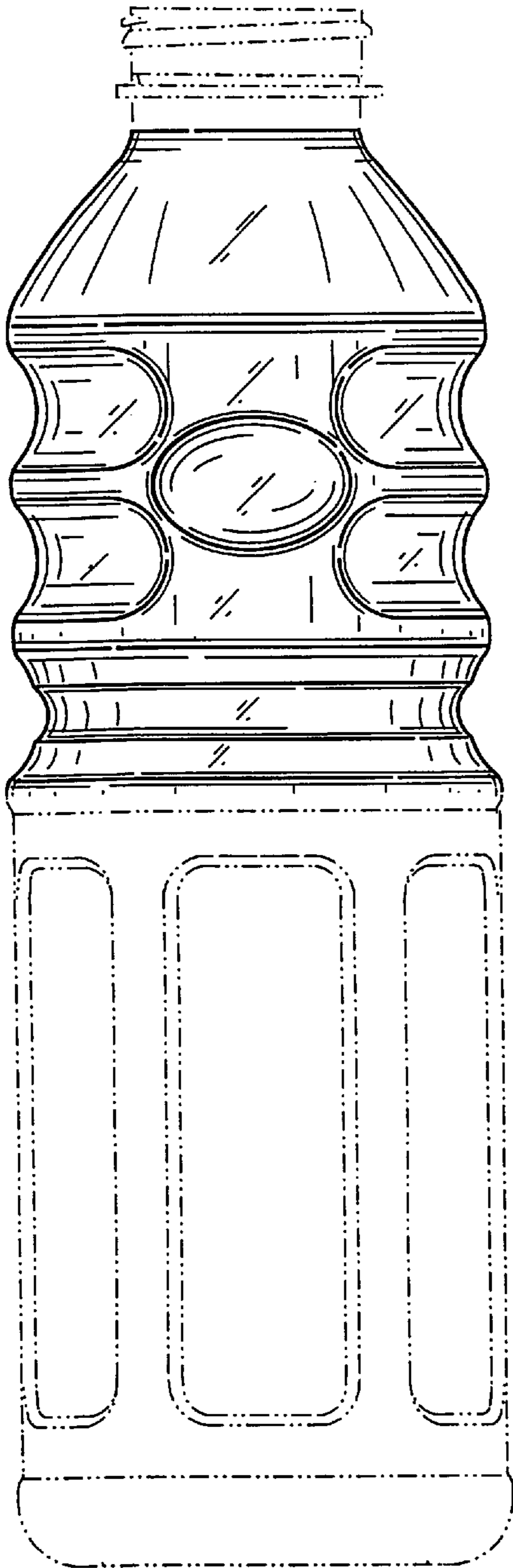


FIG. 3

