



US00D447689B1

(12) **United States Design Patent**
Navet et al.

(10) **Patent No.:** **US D447,689 S**

(45) **Date of Patent:** **** Sep. 11, 2001**

(54) **CARTON**

(75) Inventors: **Frederique Navet; Jean Luc Raynaud; Xavier Taillefer**, all of Rochechouart (FR)

(73) Assignee: **Unilever Home and Personal Care USA, division of Conopco, Inc.**, Greenwich, CT (US)

(**) Term: **14 Years**

(21) Appl. No.: **29/128,437**

(22) Filed: **Aug. 24, 2000**

(30) **Foreign Application Priority Data**

Feb. 25, 2000 (GB) 2090758

(51) **LOC (7) Cl.** **09-03**

(52) **U.S. Cl.** **D9/430**

(58) **Field of Search** D9/414, 424, 430, D9/431, 432, 416; 206/730, 457, 822; 299/106, 201, 107, 202, 108, 116.1, 406, 800, 922, 117.05; 220/376, 890; 428/542.2, 542.8

(56) **References Cited**

U.S. PATENT DOCUMENTS

D. 290,345 * 6/1987 Abe D9/431

D. 337,270 * 7/1993 Brockman D9/430
D. 411,104 * 6/1999 Simile-Gravina et al. D9/418
D. 433,942 * 11/2000 Persson et al. D9/416
2,067,998 * 1/1937 Williamson 29/106
3,078,989 * 2/1963 Curran et al. 206/822
3,125,258 * 3/1964 Watts 206/822
3,845,897 * 11/1974 Buttery et al. 229/104

* cited by examiner

Primary Examiner—Prabhakar Deshmukh
(74) *Attorney, Agent, or Firm*—Alan A. Bornstein

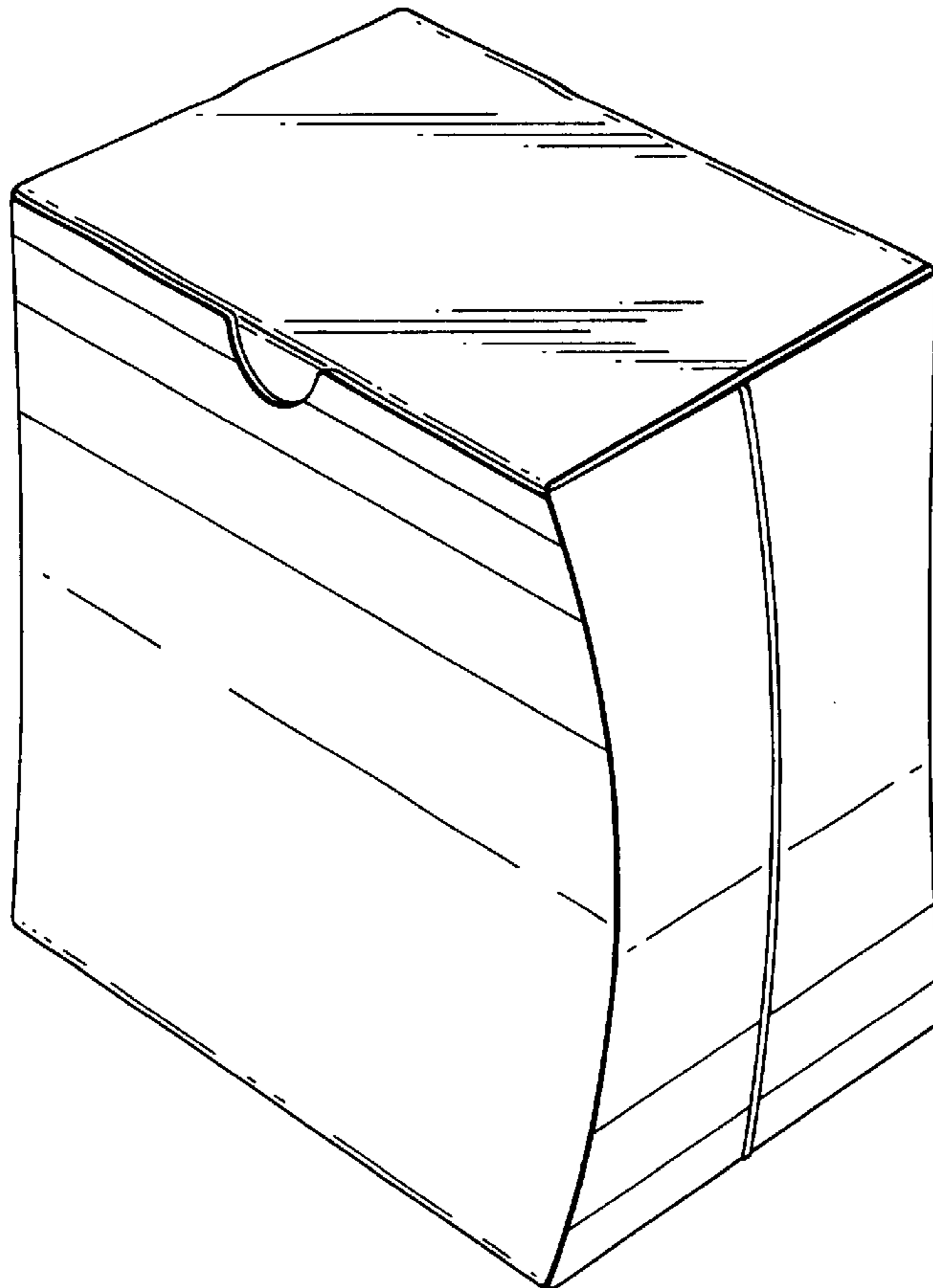
(57) **CLAIM**

The ornamental design for a carton, as shown and described.

DESCRIPTION

FIG. 1 is a perspective view of our new design;
FIG. 2 is a bottom plan view thereof;
FIG. 3 is a rear view thereof; and,
FIG. 4 is a side elevational view, the undisclosed opposite side being a mirror image thereof.

1 Claim, 2 Drawing Sheets



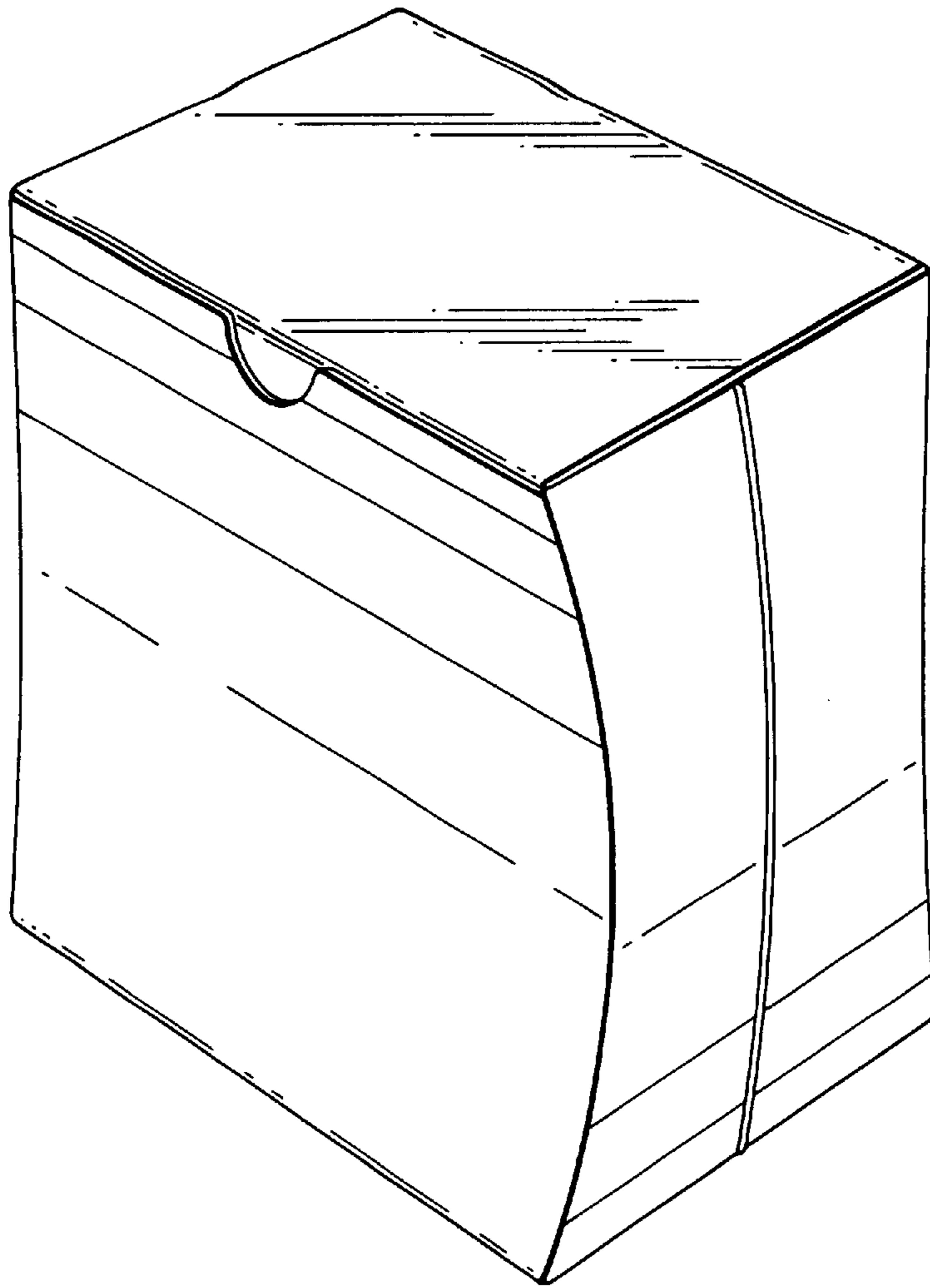


Fig. 1.

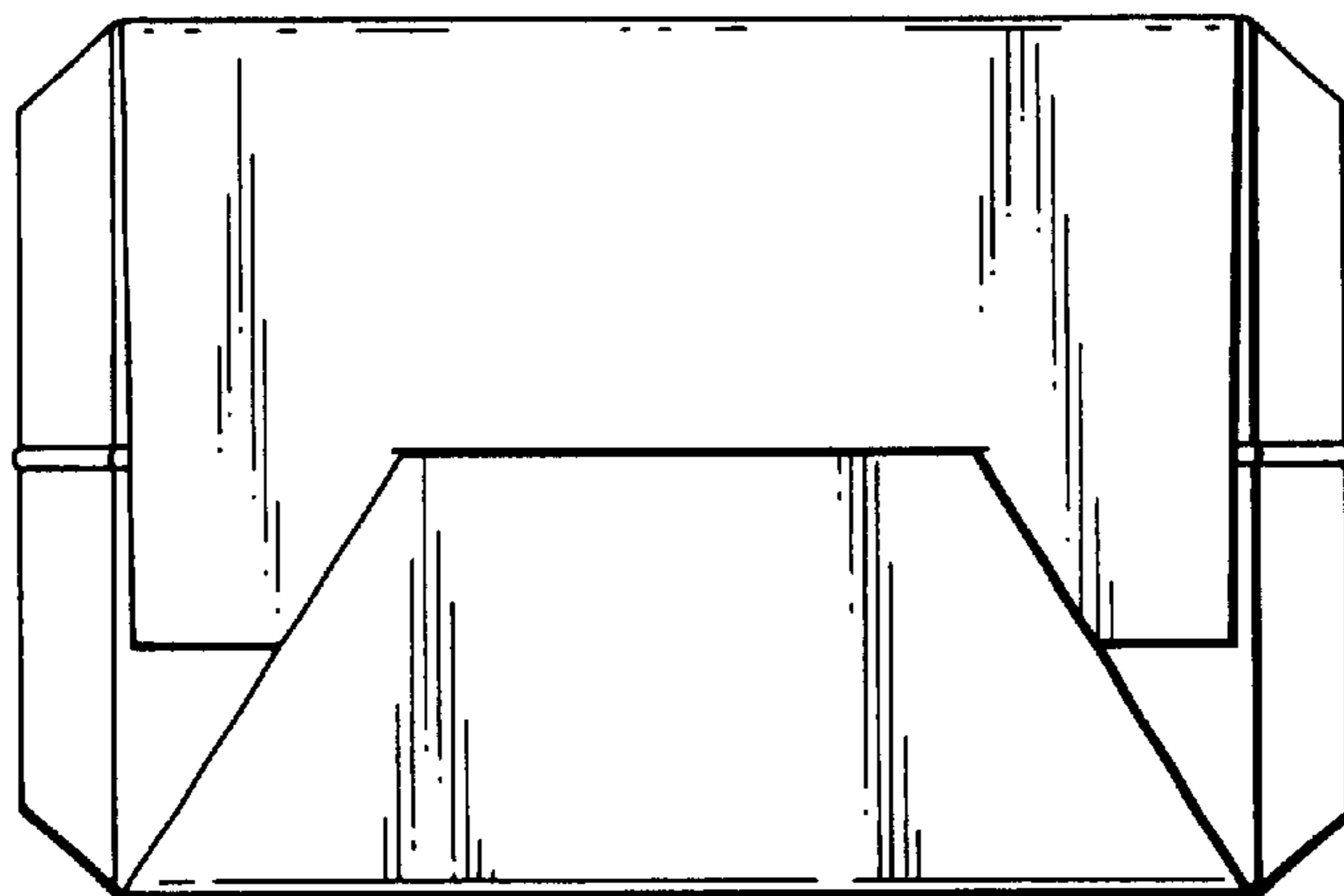


Fig. 2.

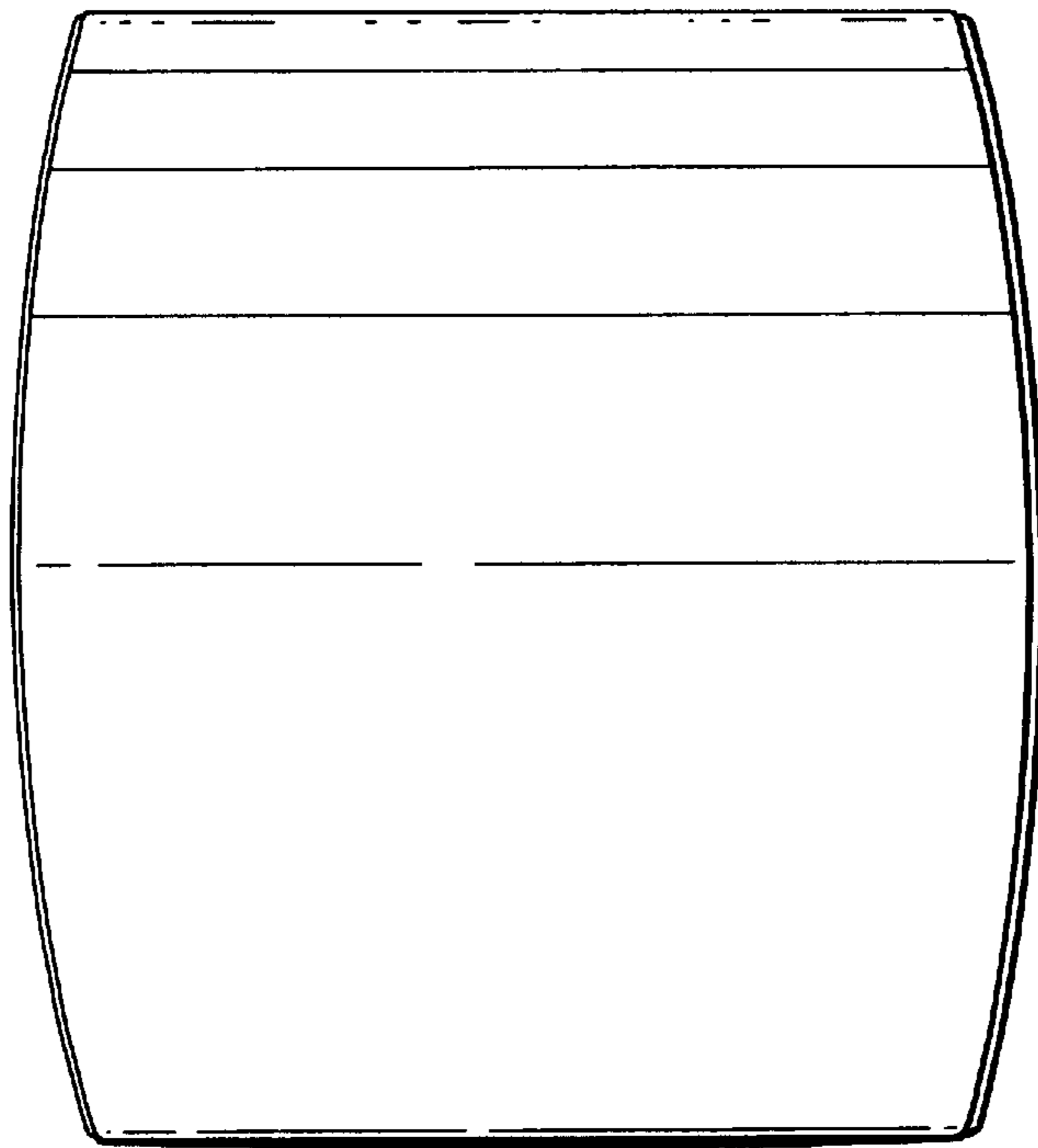


Fig.3.

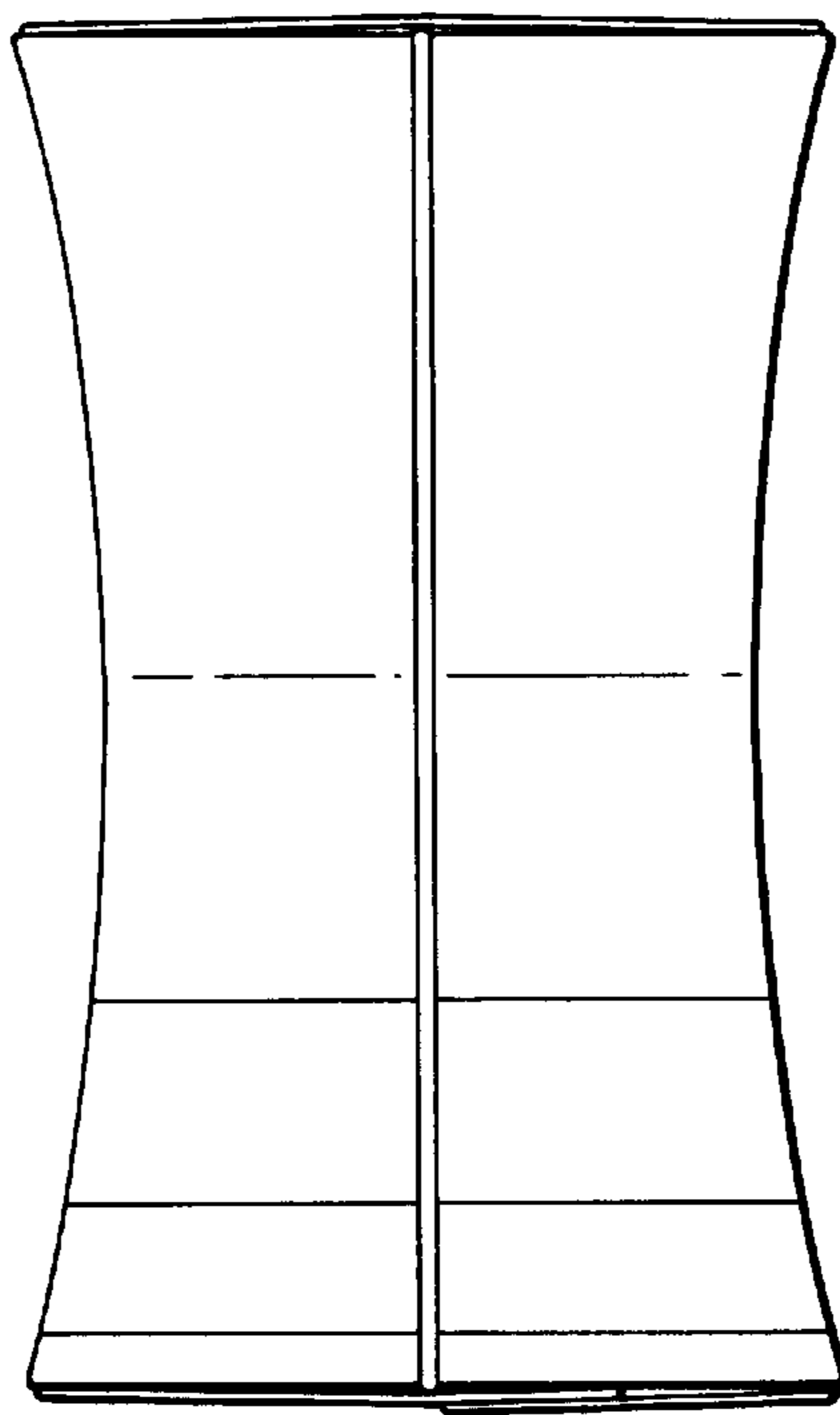


Fig.4.