



US00D447688B1

(12) **United States Design Patent**
Jalet et al.

(10) **Patent No.:** **US D447,688 S**

(45) **Date of Patent:** **** Sep. 11, 2001**

(54) **FOOD STORAGE CONTAINER**

(75) Inventors: **Vincent Jalet**, Brussels; **Victor J. J. Cautereels**, Ranst, both of (BE)

(73) Assignee: **Dart Industries Inc.**, Orlando, FL (US)

(**) Term: **14 Years**

(21) Appl. No.: **29/130,671**

(22) Filed: **Oct. 6, 2000**

(51) **LOC (7) Cl.** **09-03**

(52) **U.S. Cl.** **D9/425; D9/428; D7/629**

(58) **Field of Search** D9/424, 425, 430, D9/431, 414, 337, 422, 426; 206/508, 457, 822; 220/573.4, 575, 4.26, 8, 351, 796, 376, 380; D7/629, 538, 610; 229/406, 407, 4.5, 938, 904

(56) **References Cited**

U.S. PATENT DOCUMENTS

D. 209,239	*	11/1967	Bernstein	D9/425
D. 254,166	*	2/1980	Christian	D7/629
D. 270,322		8/1983	Daenen et al.	.	
D. 278,539	*	4/1985	Josephson et al.	D9/425
D. 295,961	*	5/1988	Holly	D9/424
D. 330,148		10/1992	Pinkston	D7/629

D. 346,720	*	5/1994	Onneweer	D7/629
D. 372,641	*	8/1996	Betend-Bon	D7/629
D. 380,349		7/1997	Indekeu	D7/543
D. 381,560		7/1997	Indekeu	D7/538
D. 415,392		10/1999	Wallays et al.	D7/601
D. 443,508	*	6/2001	Braaten et al.	D9/424
2,880,859	*	4/1959	Tupper	206/459.5
3,384,263		5/1968	Bernstein	.	
3,511,288	*	5/1970	Swett et al.	220/783

* cited by examiner

Primary Examiner—Prabhakar Deshmukh

(74) *Attorney, Agent, or Firm*—Taylor J. Ross

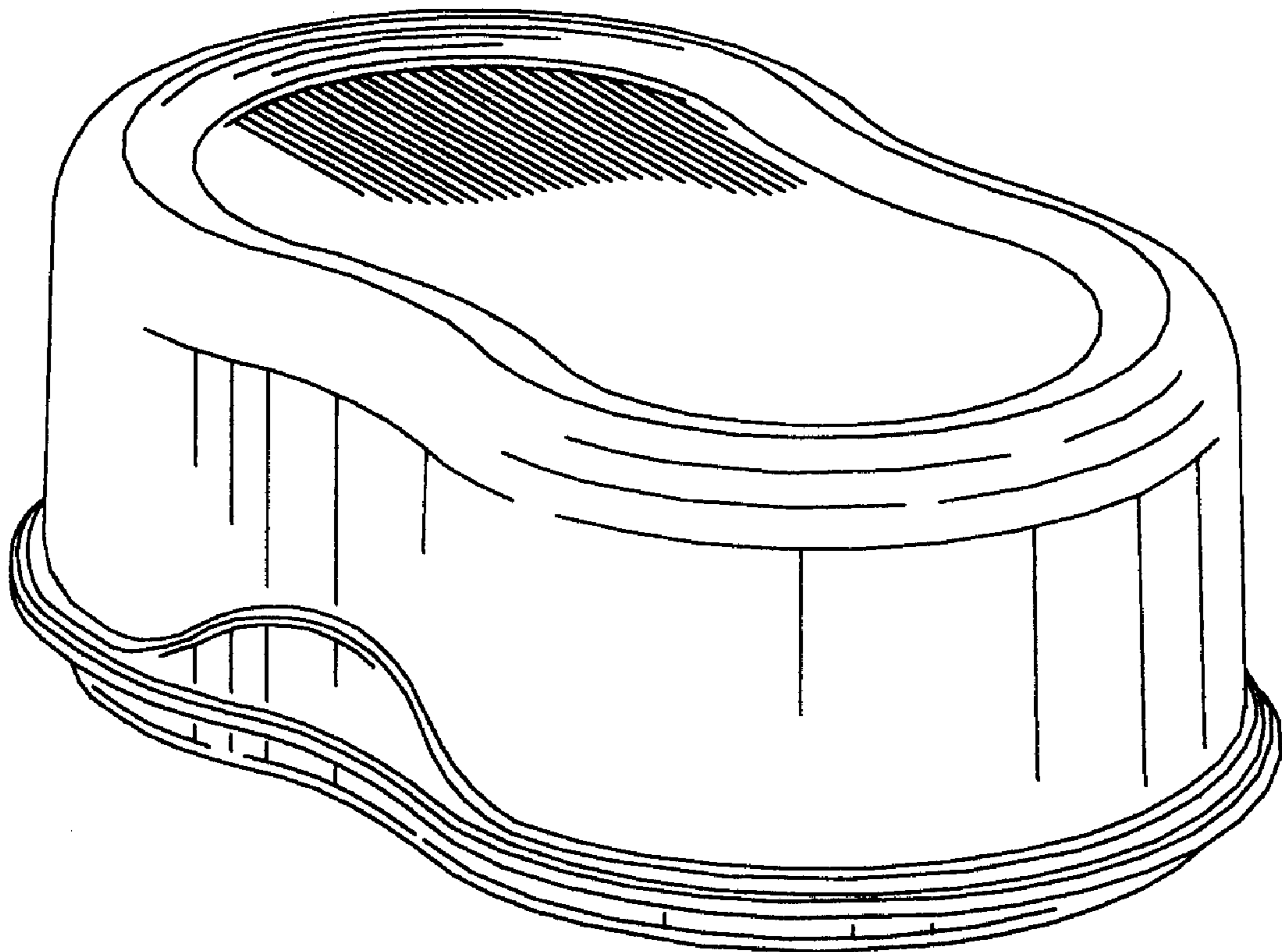
(57) **CLAIM**

The ornamental design for a food storage container, as shown and described.

DESCRIPTION

FIG. 1 is a top, side and front perspective view of a food storage container showing the new design; FIG. 2 is a front elevation view thereof; FIG. 3 is a rear elevation view thereof; FIG. 4 is a right side elevation view thereof; FIG. 5 is a left side elevation view thereof; FIG. 6 is a top plan view thereof; and, FIG. 7 is a bottom plan view thereof.

1 Claim, 3 Drawing Sheets



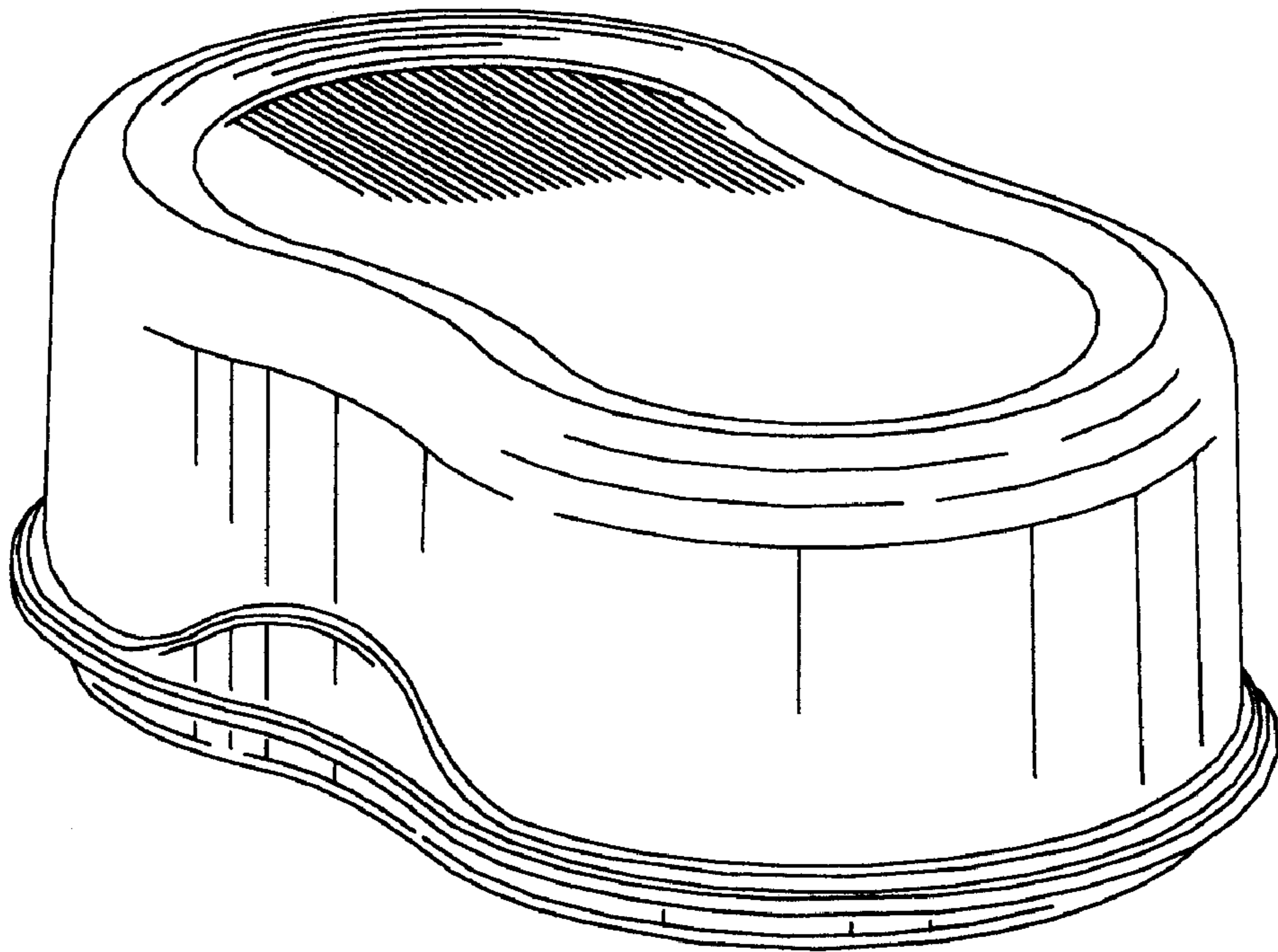


FIG. 1

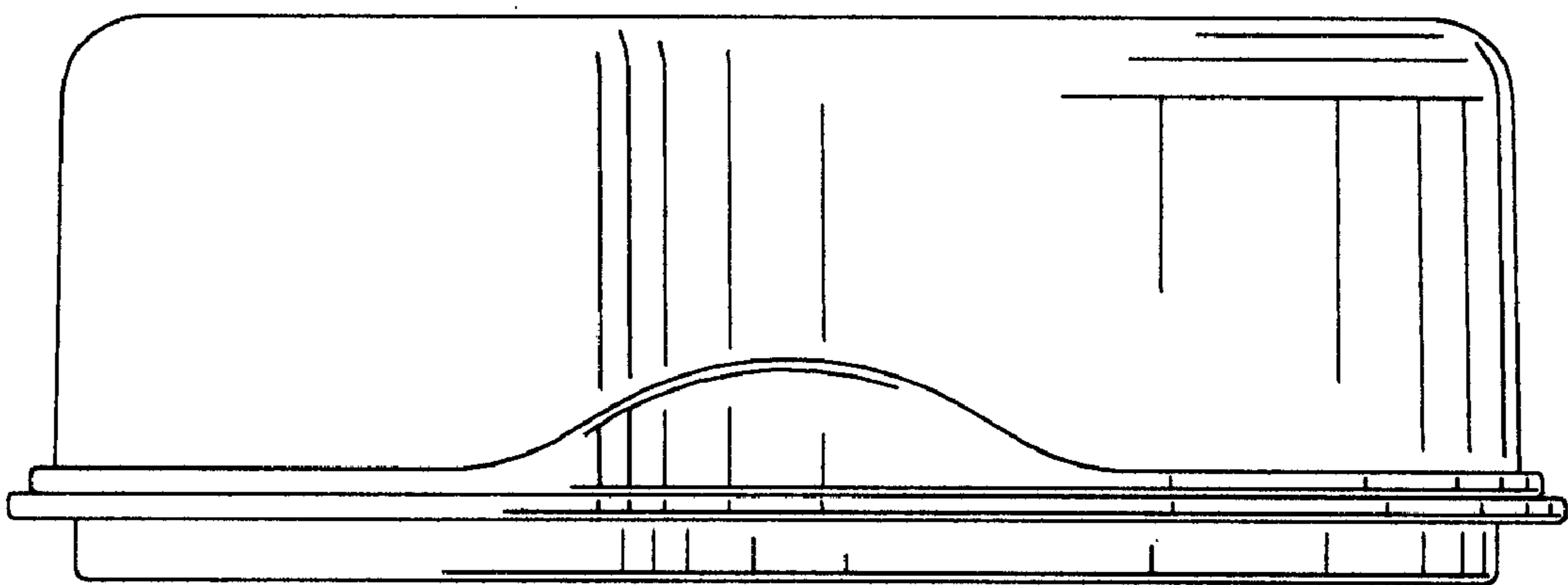


FIG. 2

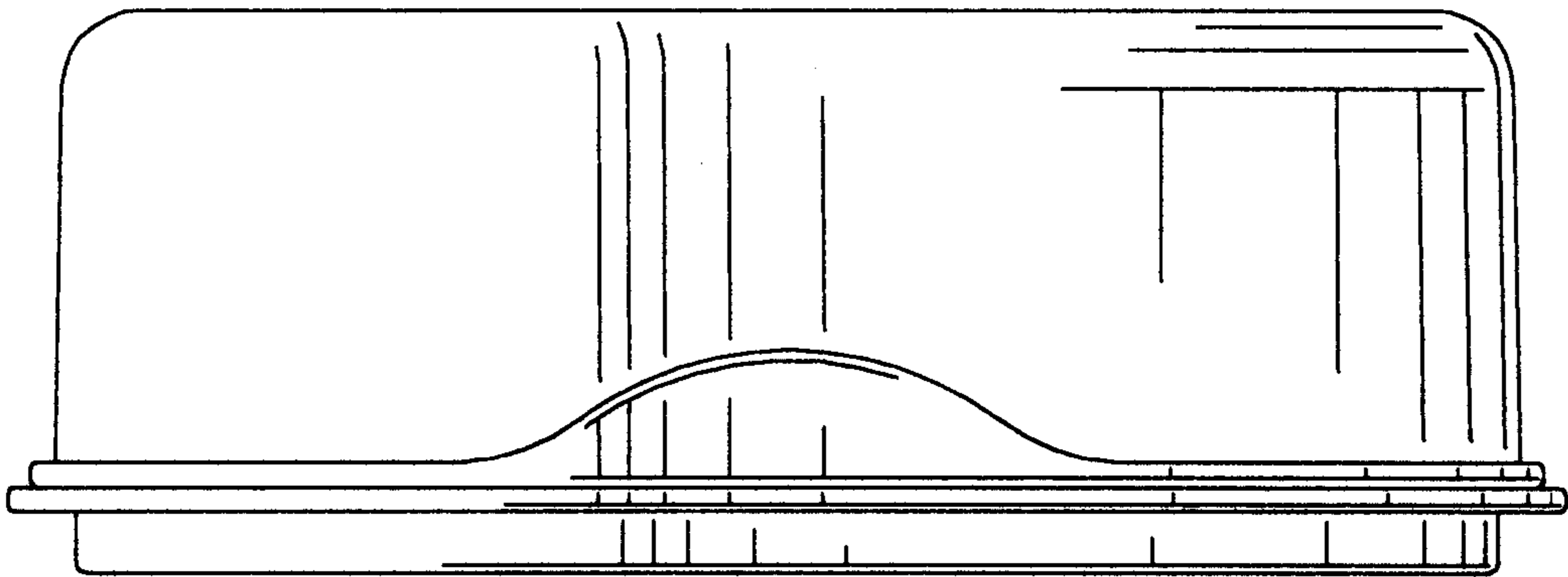


FIG. 3

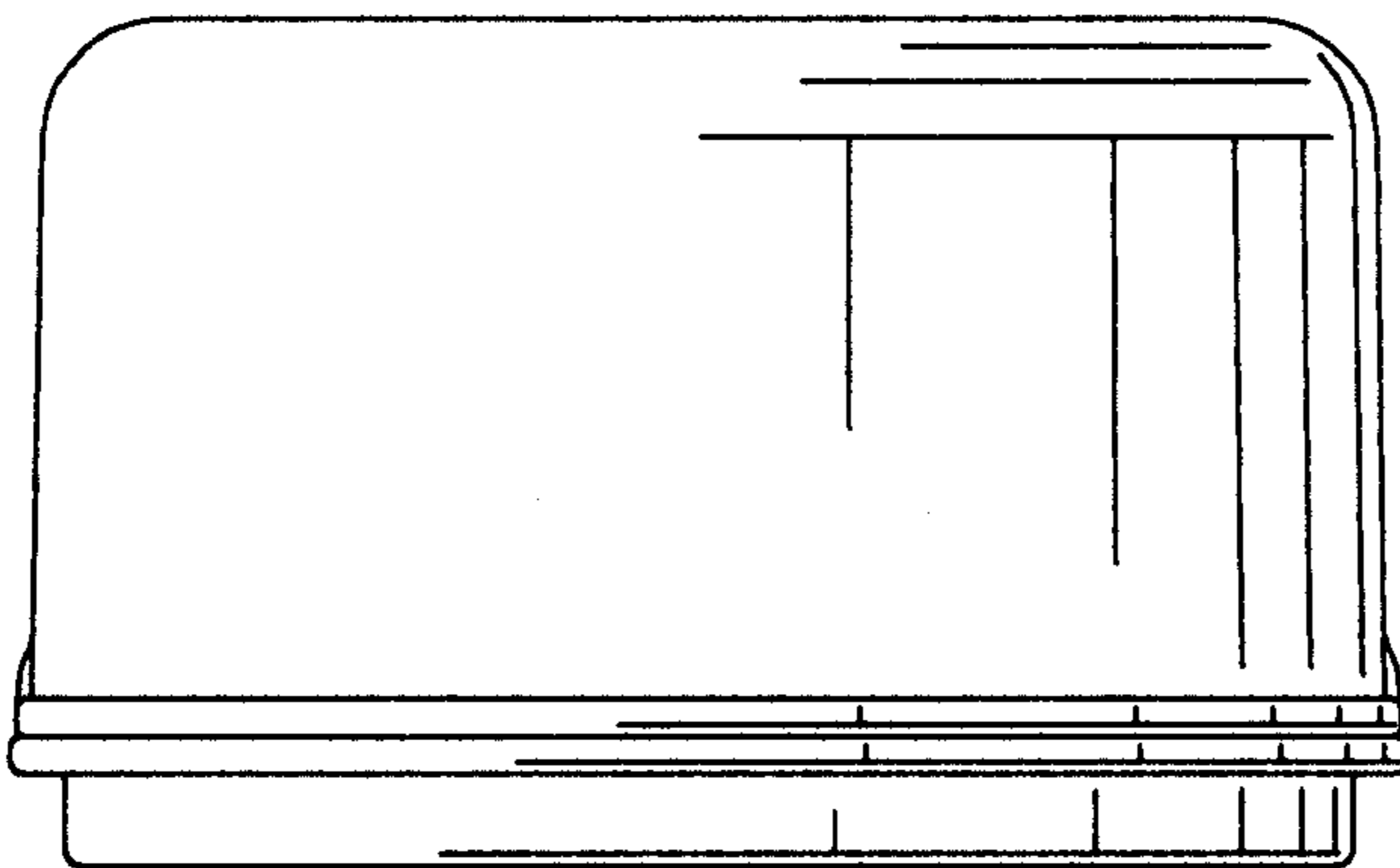


FIG. 4

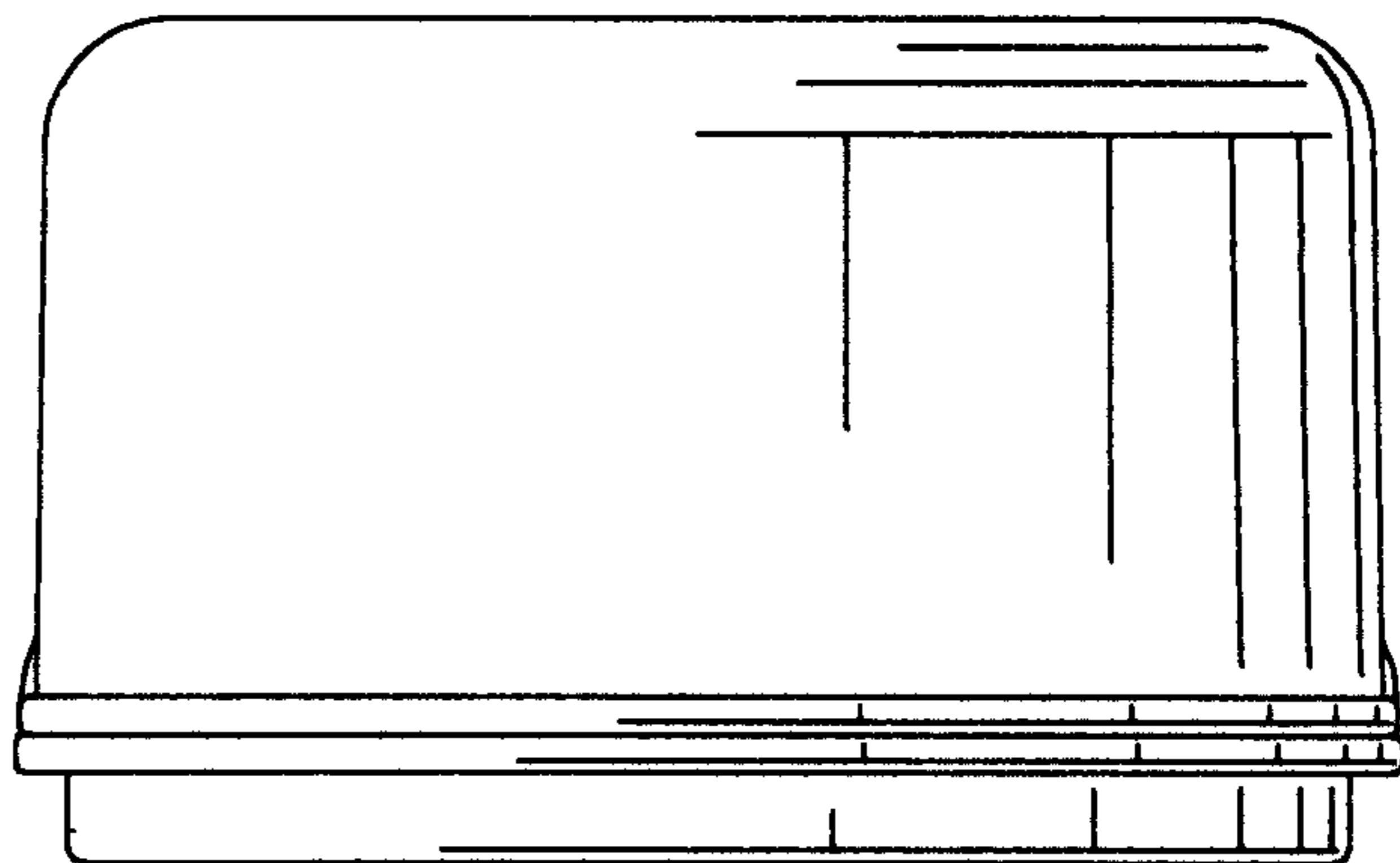


FIG. 5

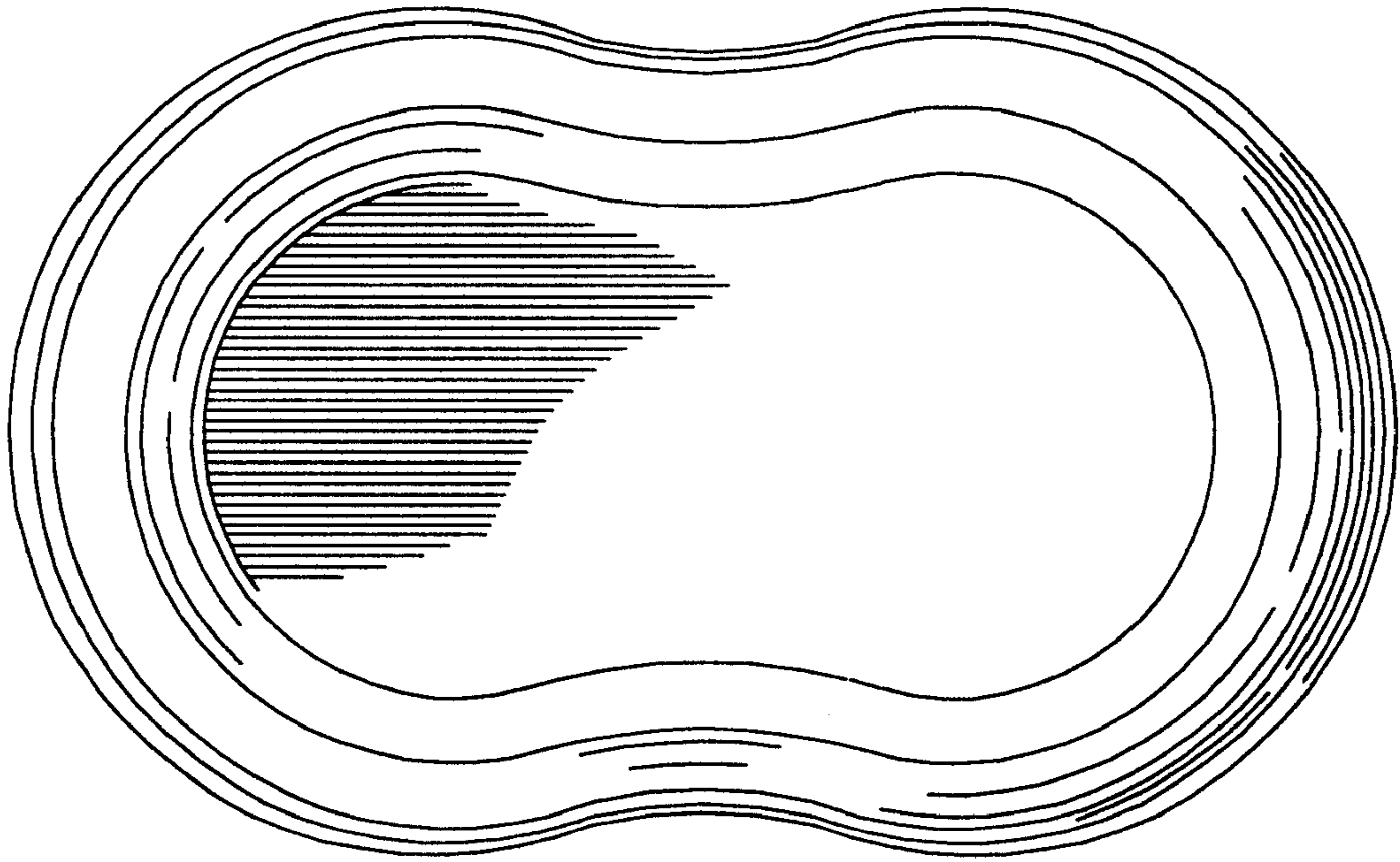


FIG. 6

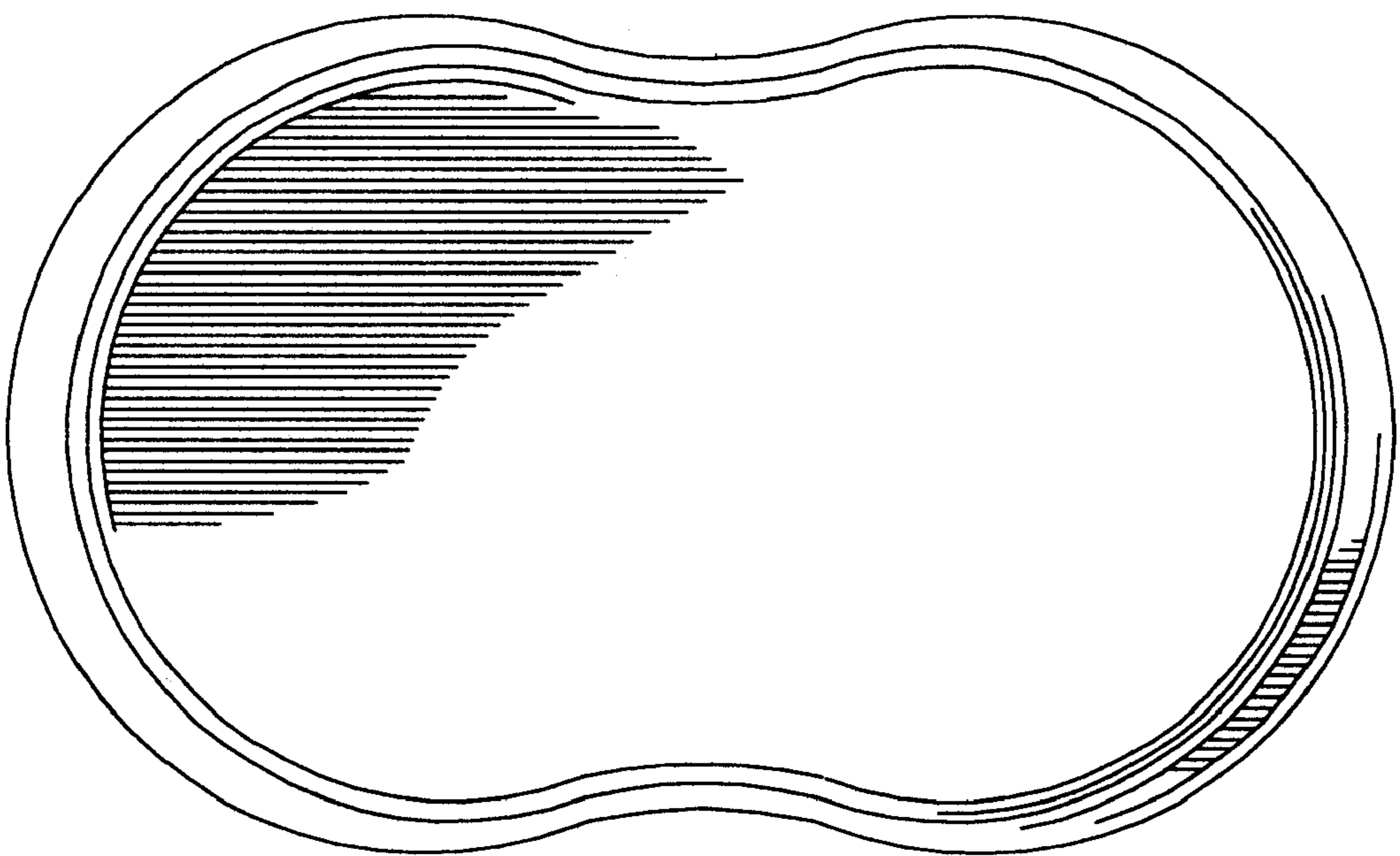


FIG. 7