



US00D447687B1

(12) **United States Design Patent**
Roby

(10) **Patent No.:** **US D447,687 S**

(45) **Date of Patent:** **** Sep. 11, 2001**

(54) **VIDEO CASSETTE BOX**

(76) **Inventor:** **Wayne Roby**, 26970 State Rte. 23,
Sycamore, IL (US) 60178

(**) **Term:** **14 Years**

(21) **Appl. No.:** **29/106,297**

(22) **Filed:** **Jun. 14, 1999**

(51) **LOC (7) Cl.** **09-03**

(52) **U.S. Cl.** **D9/422; D9/432**

(58) **Field of Search** D9/346, 414, 418,
D9/422-423, 430-433; 206/308.1, 486,
783; 229/4.5, 167, 938

(56) **References Cited**

U.S. PATENT DOCUMENTS

D. 268,098	*	3/1983	Brown	D9/418
D. 372,670	*	8/1996	Healey	D9/346
2,283,950	*	5/1942	Ringler	229/170
2,430,609	*	11/1947	Guyer	229/167
3,368,735	*	2/1968	Levi	229/167
3,516,593	*	6/1970	Larsen	229/167
4,341,339	*	7/1982	Zore	229/167

5,078,268	*	1/1992	Olson et al.	206/232
5,096,058	*	3/1992	Juravin et al.	206/232
5,222,657	*	6/1993	Holland, Jr.	229/116.1
5,791,468	*	8/1998	House	206/308.1

* cited by examiner

Primary Examiner—Ted Shooman

Assistant Examiner—Carol Radmaker

(74) *Attorney, Agent, or Firm*—R. L. Mikesell, Esq.

(57) **CLAIM**

The ornamental design for a video cassette box, as shown and described.

DESCRIPTION

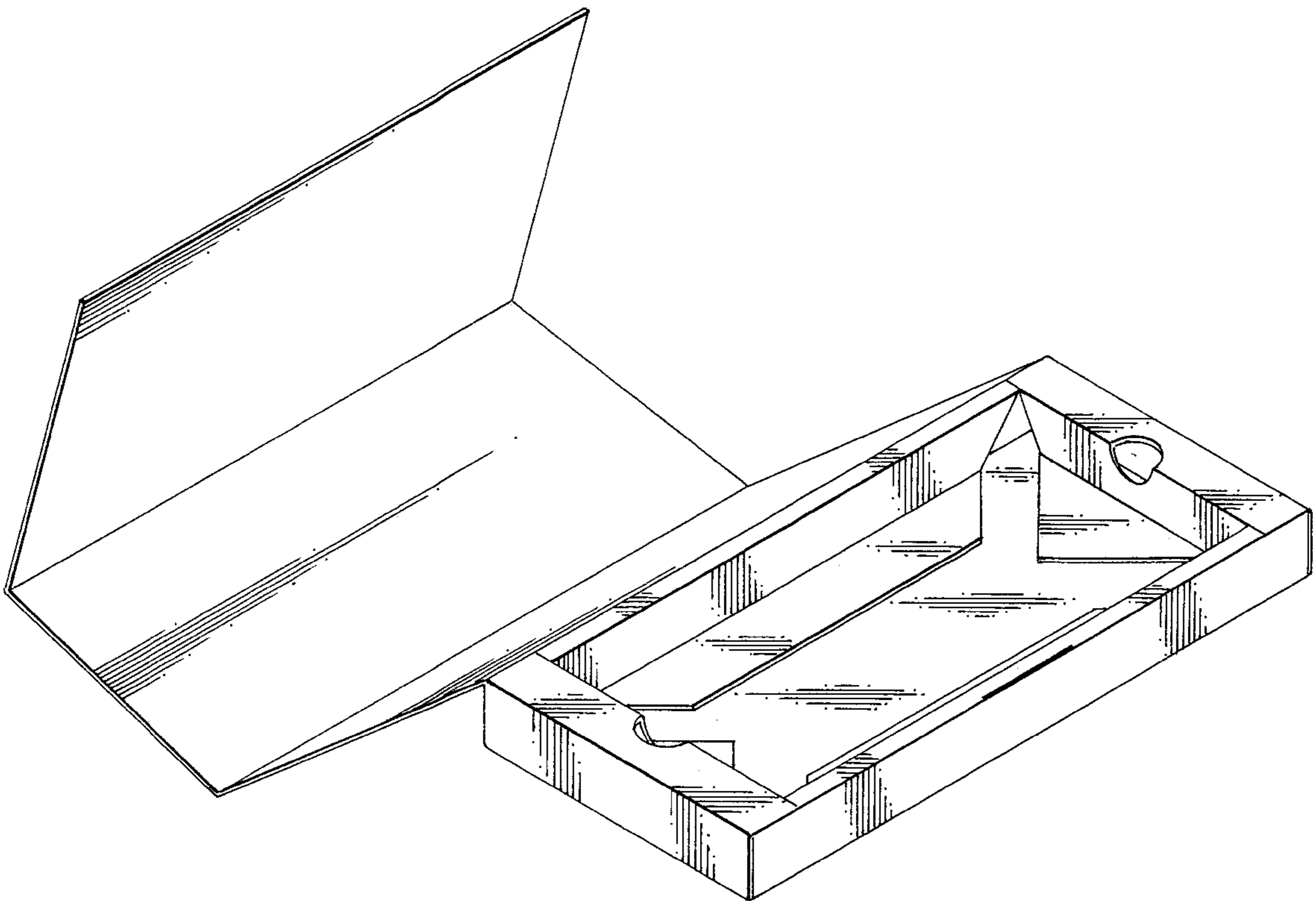
FIG. 1 is a top left front perspective view shown in open condition, the top, right front perspective view being a mirror image;

FIG. 2 is a top left front perspective view shown in closed condition, the top, right front perspective view being a mirror image;

FIG. 3 is a bottom plan view; and,

FIG. 4 is a rear elevational view.

1 Claim, 2 Drawing Sheets



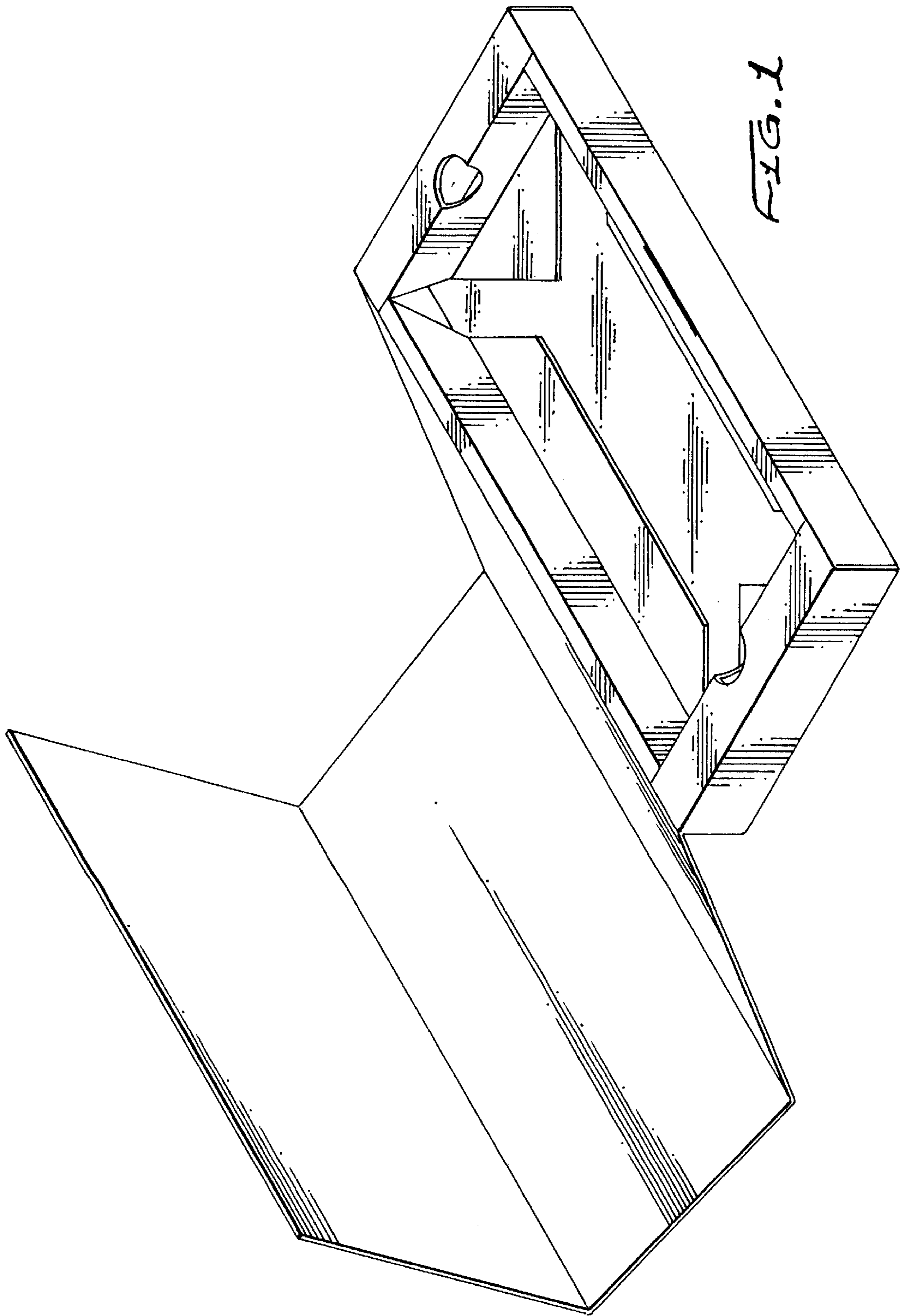


FIG. 2

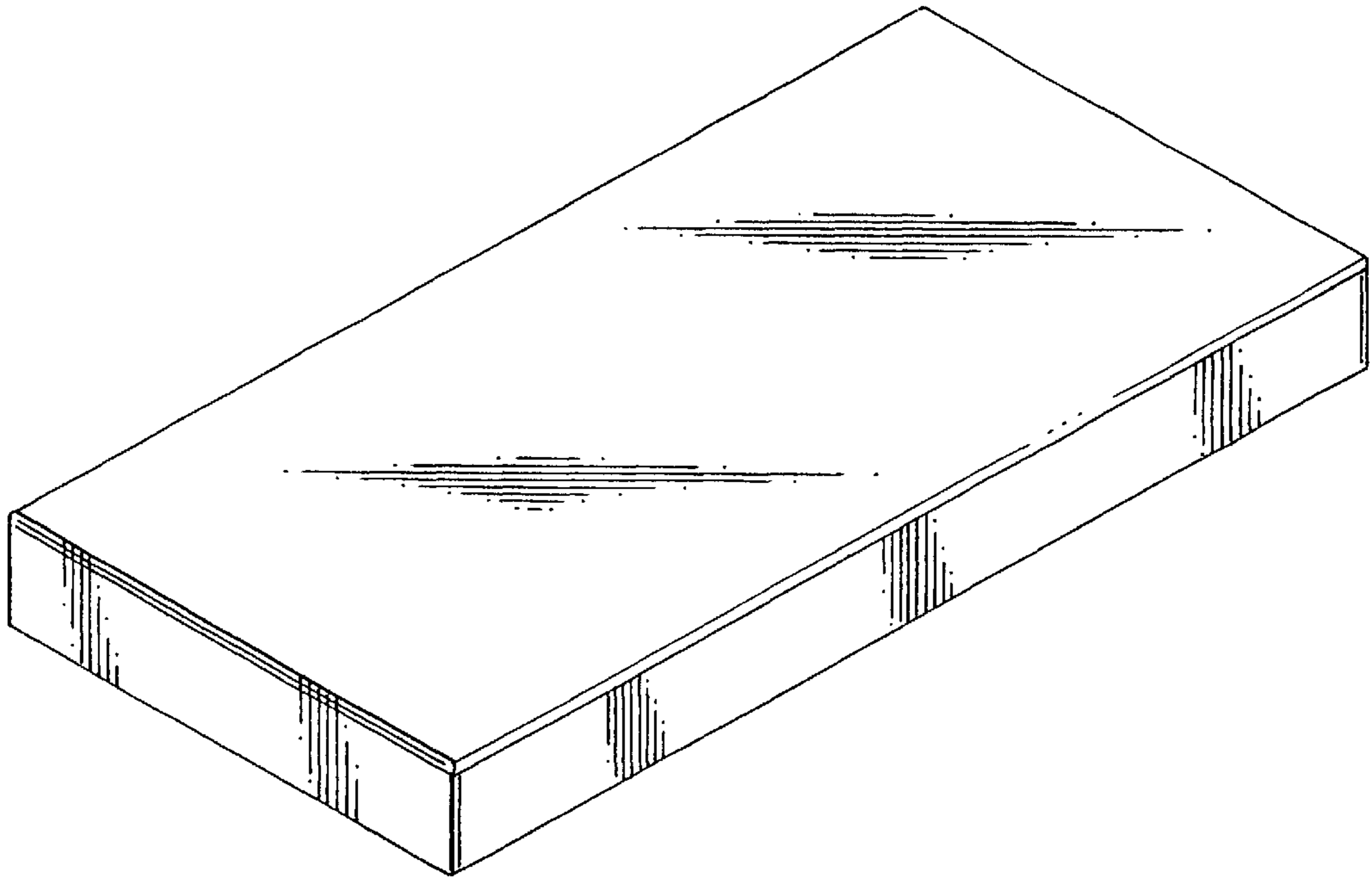


FIG. 4



FIG. 3

