



US00D447685B1

(12) **United States Design Patent**
Chagnon et al.

(10) **Patent No.:** **US D447,685 S**

(45) **Date of Patent:** **** Sep. 11, 2001**

(54) **PACKAGE**

(75) Inventors: **Nichole M. Chagnon**, Whitefish Bay, WI (US); **Karl A. Kohler**, Bartlett, IL (US); **Ian P. Hunter**, County of Milwaukee, WI (US)

(73) Assignee: **S. C. Johnson Home Storage, Inc.**, Racine, WI (US)

(**) Term: **14 Years**

(21) Appl. No.: **29/126,379**

(22) Filed: **Jul. 12, 2000**

(51) **LOC (7) Cl.** **09-03**

(52) **U.S. Cl.** **D9/416; D9/418; D9/432**

(58) **Field of Search** D9/416, 418, 432, D9/337, 414; 206/769, 770, 775-778, 233; 229/162, 242, 240, 125.39, 122, 229

(56) **References Cited**

U.S. PATENT DOCUMENTS

D. 360,131	*	7/1995	Tudor	D9/418
1,539,523	*	5/1925	Spraggins	229/162
3,207,411	*	9/1965	Farquhar	229/162
3,237,842		3/1966	Esse	229/51
3,325,003	*	6/1967	Bilezerian	29/125.39
3,647,114		3/1972	Bleuer	221/59
3,814,236	*	6/1974	Keilman	229/242
4,419,373	*	12/1983	Oppermann	229/903
4,447,004		5/1984	House et al.	229/52 B
4,997,105	*	3/1991	Fischer	221/45
5,540,354	*	7/1996	Annand	206/449

OTHER PUBLICATIONS

Example of packaging from "Kleenex", manufactured by Kimberly-Clark Corporation, Neenah, WI, copyright notice 1938, 1986, 1996.

Example of packaging from "Barilla Oven Ready Lasagna", distributed by Barilla America, Inc., Lincolnshire, IL, no date.

Example of packaging from "America's Choice Heavy Duty Forks", distributed by Compass Foods, Montvale, NJ, Apr. 1999.

Example of packaging from "Hostess Powdered Donettes", distributed by Interstate Brands Companies, Kansas City, MO, copyright notice 1997.

Example of packaging from "Creamette Brand Elbow Macaroni", Creamette Borden, Inc., Columbus, OH no date.

Example of packaging from "American Beauty Spaghetti", manufactured by Hershey Pasta Group, Hershey, PA, Jun. 1999.

Example of packaging of "Ziploc Slide Loc Bags", manufactured by S.C. Johnson & son, Inc., Racine, WI, copyright notice 1998.

Example of packaging of "Smucker's Snacker's Lunchbox", manufactured by The J.M. Smucker Co., Orrville, OH, no date.

Example of packaging of "Entenmann's Donuts", Entenmanns, Inc., Totowa, NJ, copyright notice 2000.

* cited by examiner

Primary Examiner—Prabhakar Deshmukh

(57) **CLAIM**

The ornamental design of the package, as shown and described.

DESCRIPTION

FIG. 1 is an perspective view of a first embodiment of the package of our invention;

FIG. 2 is a front elevational view of the package of FIG. 1 showing the front panel and non-opaque window of the package;

FIG. 3 is a plan view showing the perforation for opening of the package of FIG. 1;

FIG. 4 is an elevational view of one end of the package of FIG. 1;

FIG. 5 is an elevational view of another end of the package of FIG. 1;

FIG. 6 is a rear elevational view of the package of FIG. 1;

FIG. 7 is a bottom elevational view of the package of FIG. 1; and,

FIG. 8 is an perspective view of a second embodiment of the present invention, the sole difference as compared to the first embodiment being the length of the package.

1 Claim, 3 Drawing Sheets

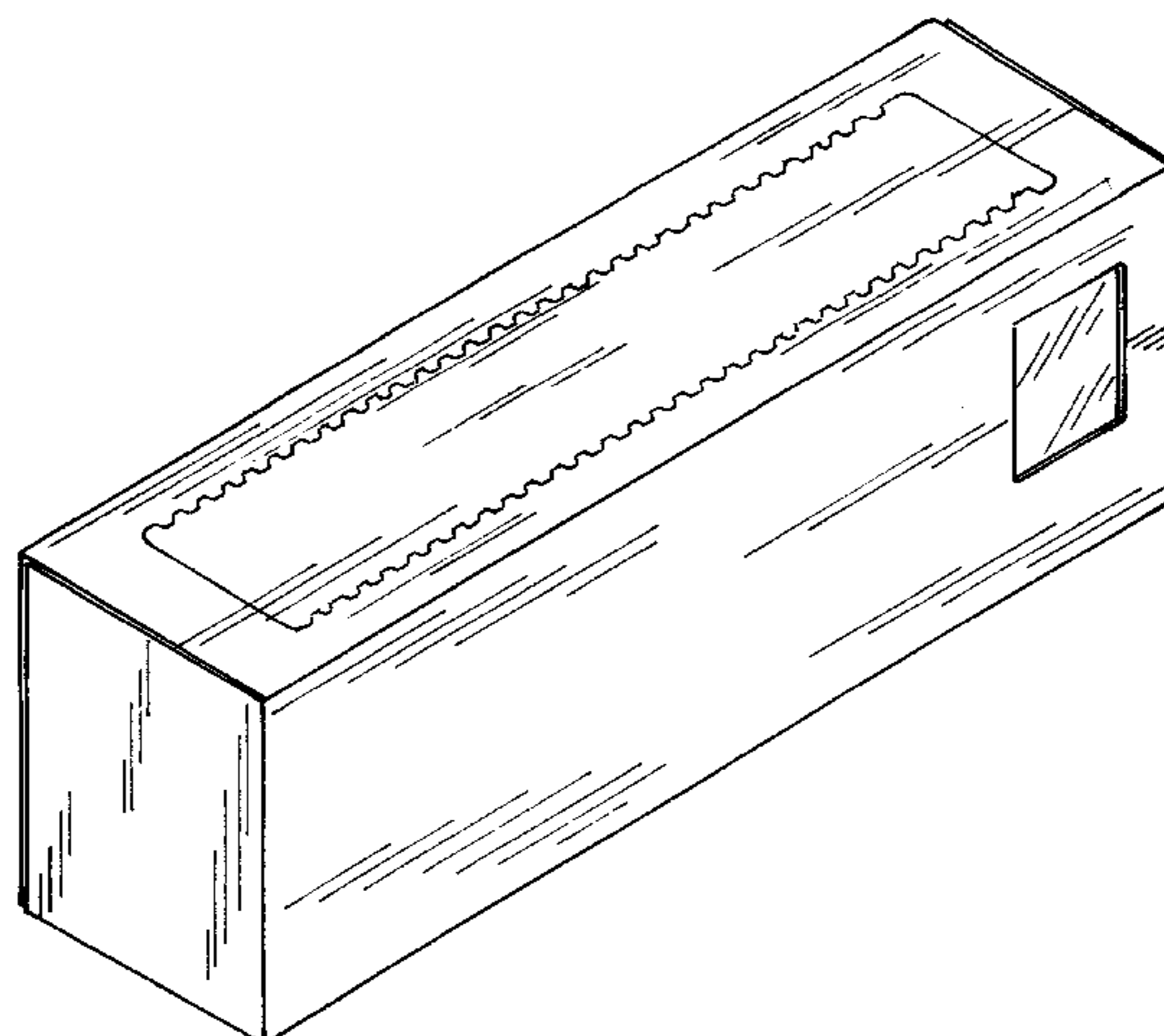


FIG. 1

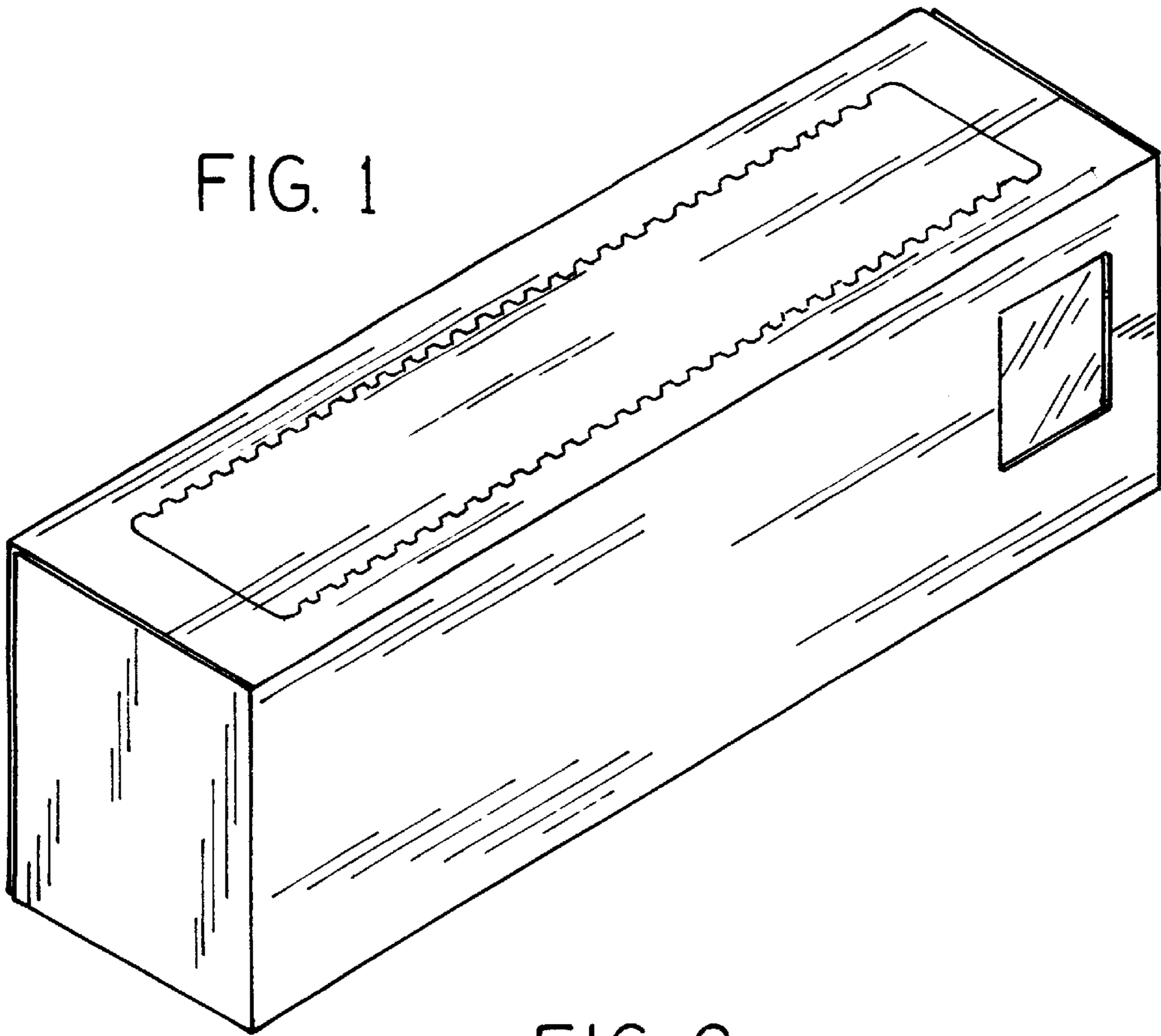


FIG. 2

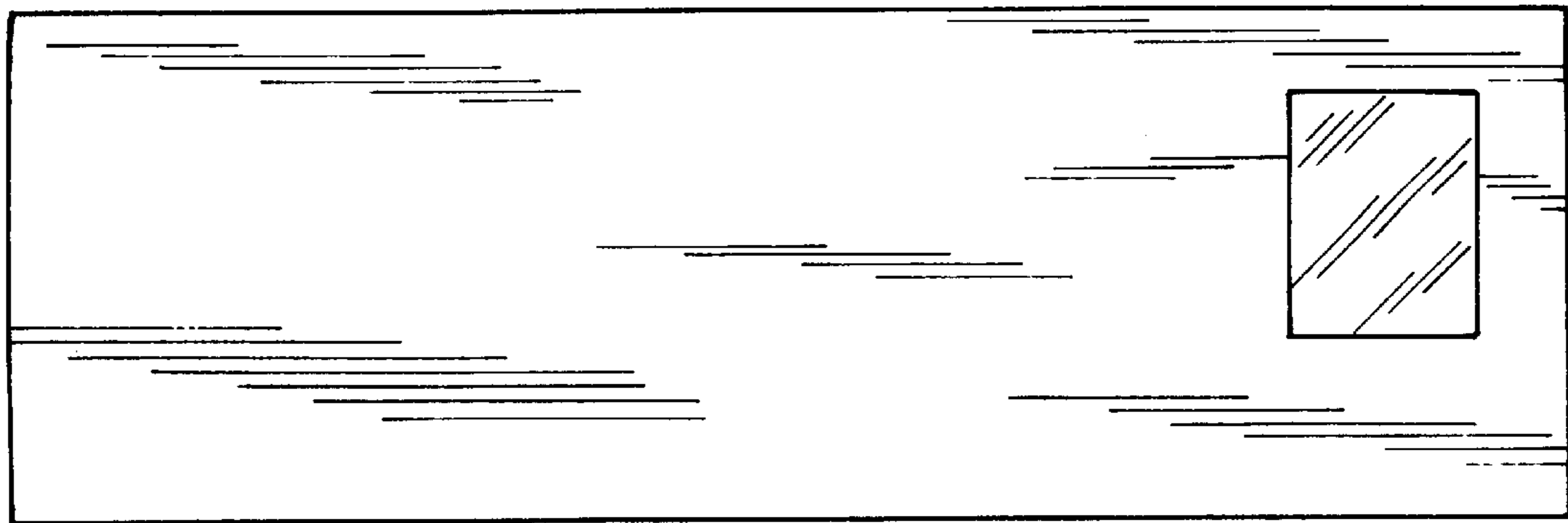


FIG. 3

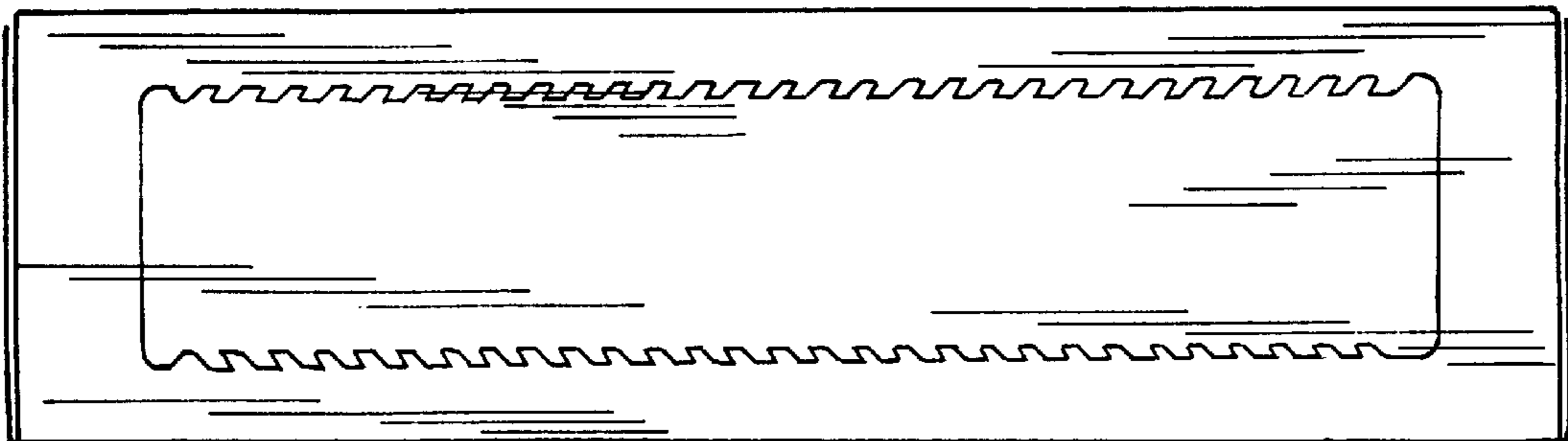


FIG. 4

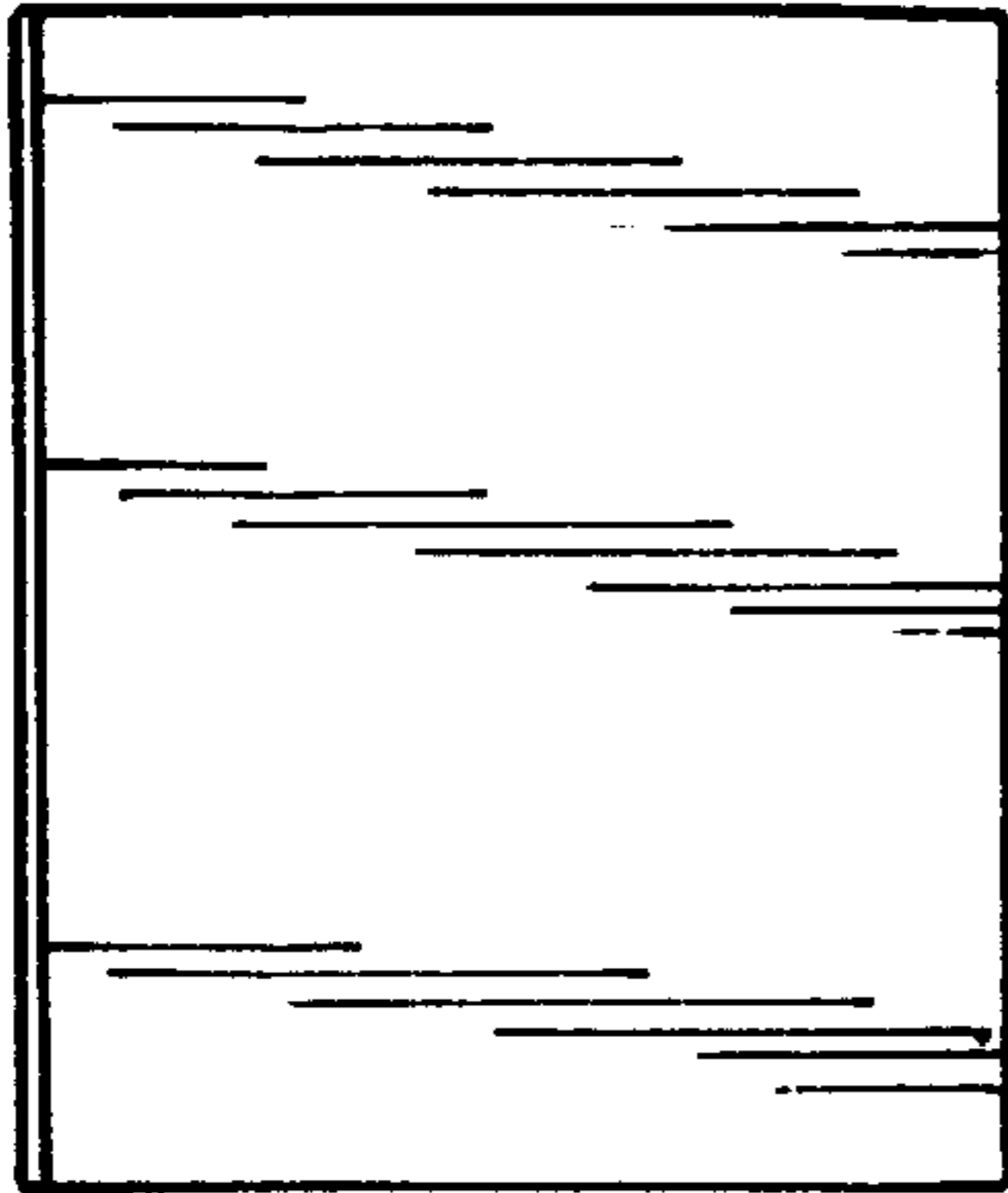


FIG. 5

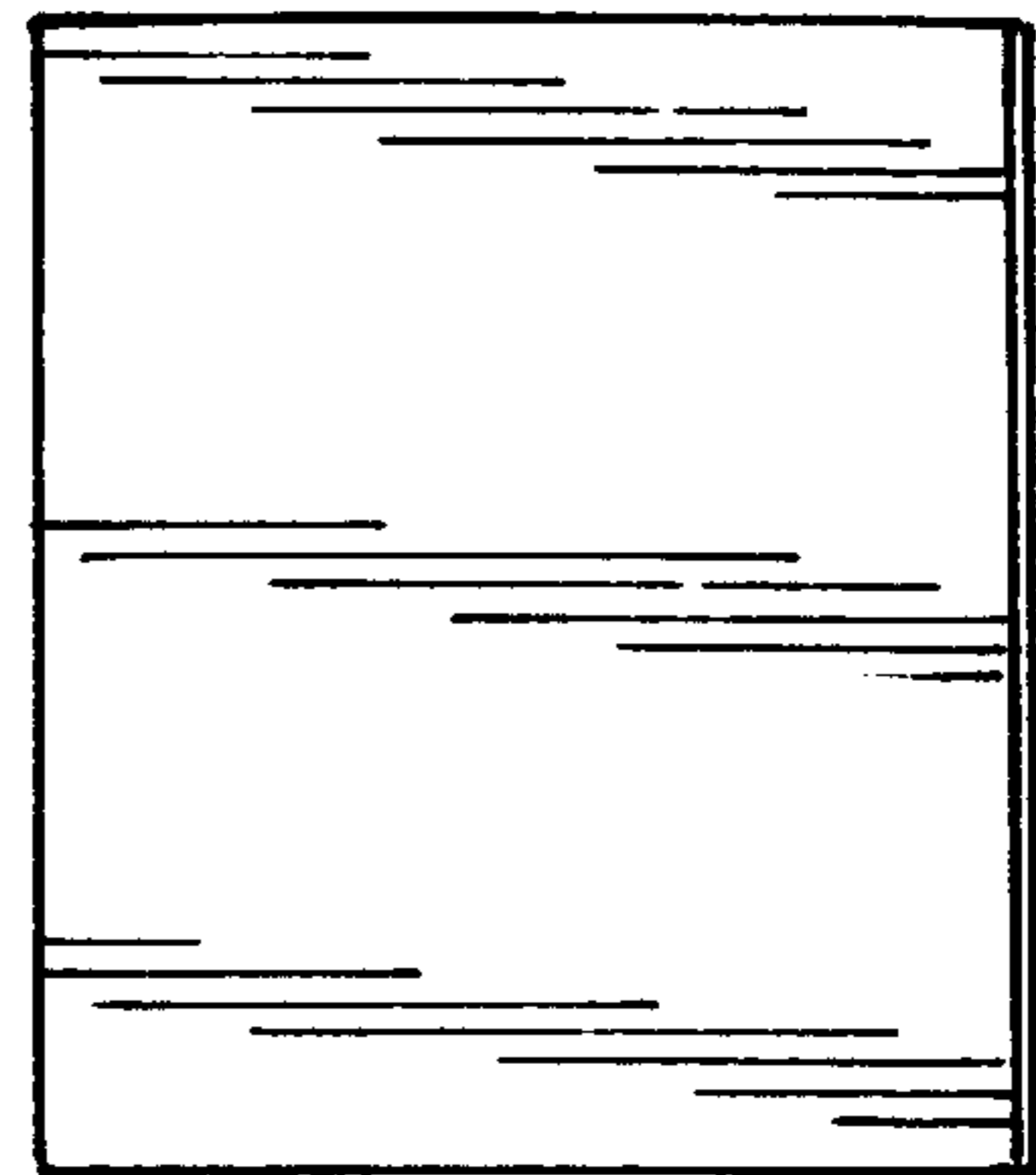


FIG. 6

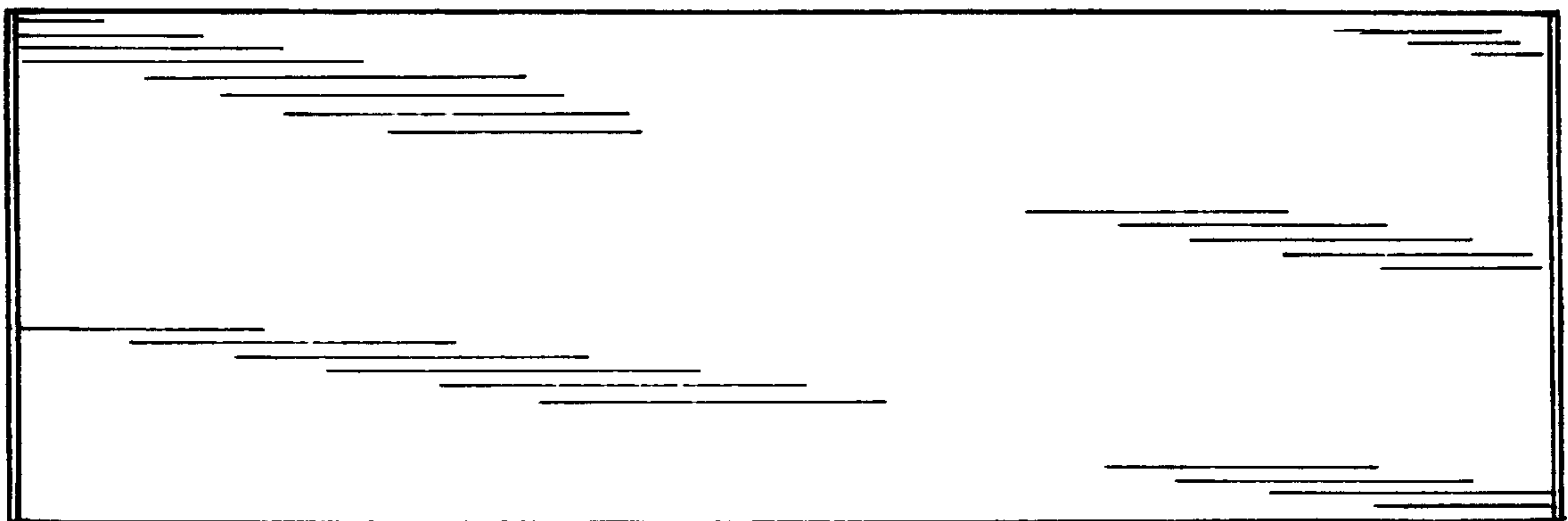
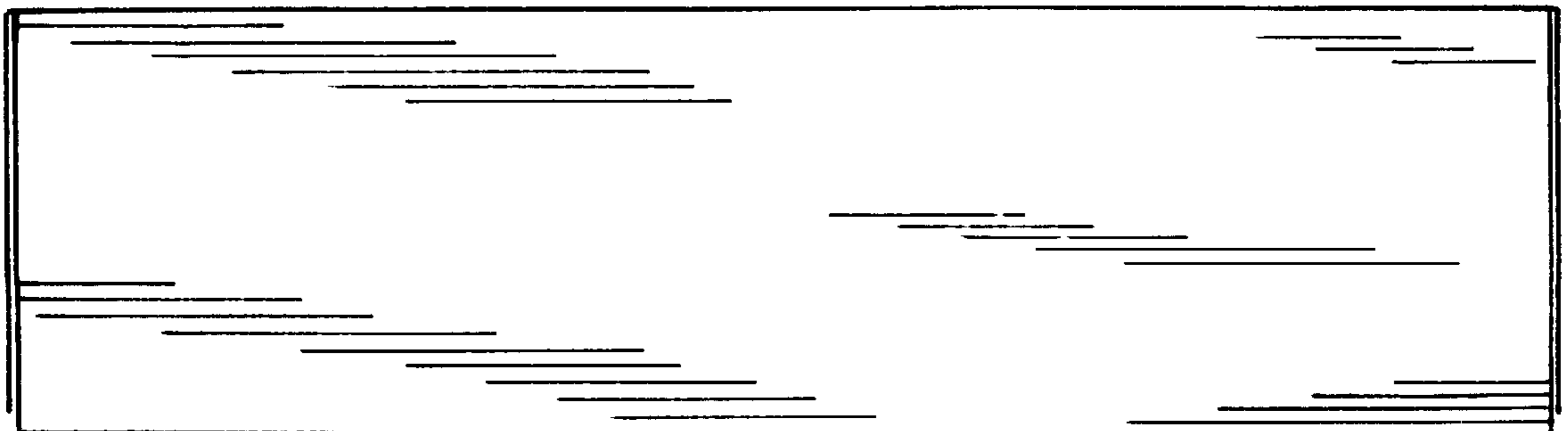


FIG. 7



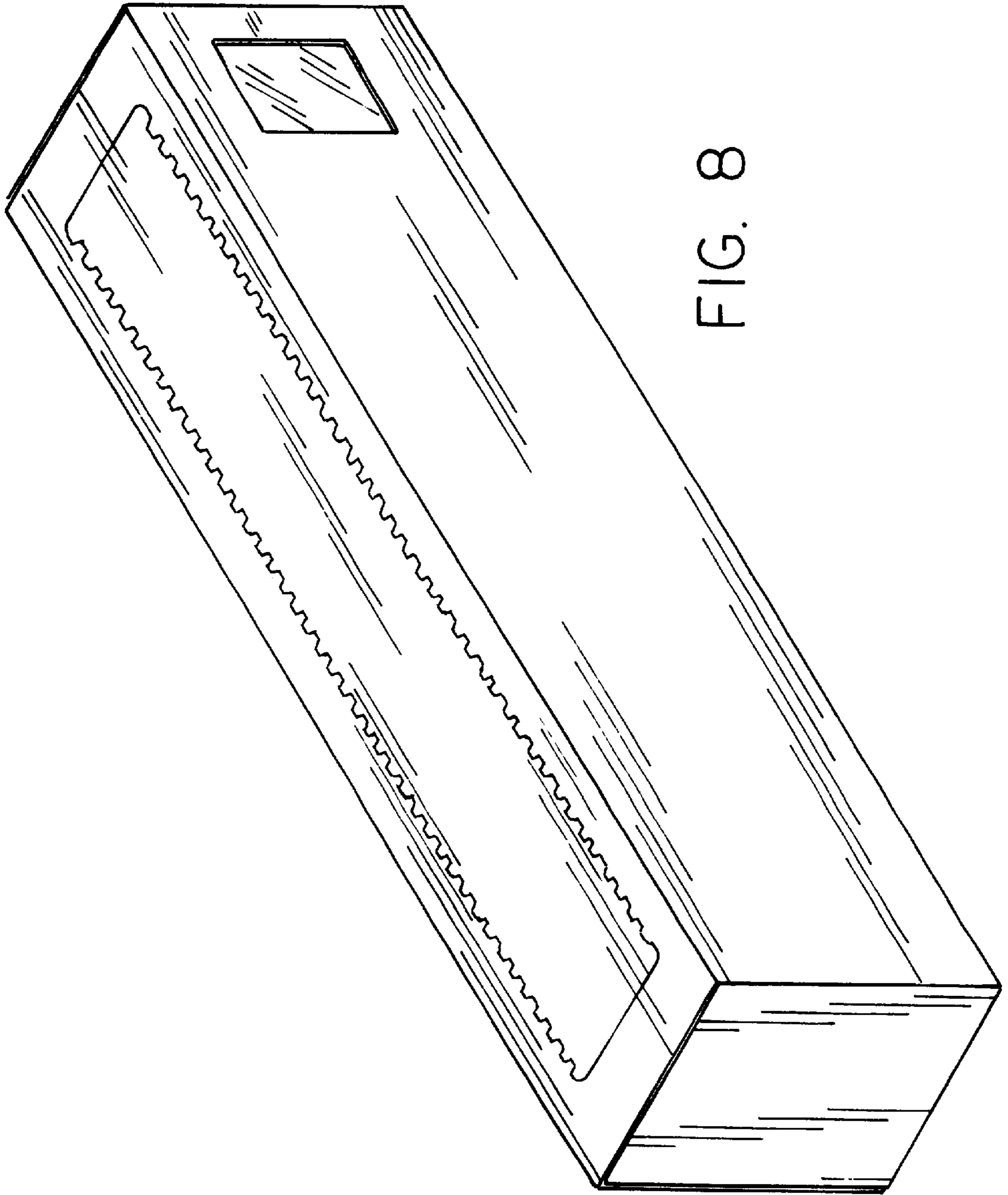


FIG. 8

UNITED STATES PATENT AND TRADEMARK OFFICE
CERTIFICATE OF CORRECTION

PATENT NO. : Des. 447, 685 S
DATED : September 11, 2001
INVENTOR(S) : Nichole M. Chagnon, Karl A. Kohler and Ian P. Hunter

Page 1 of 1

It is certified that error appears in the above-identified patent and that said Letters Patent is hereby corrected as shown below:

Drawings

Figure 2, change "non-opague" to -- non-opague --.
Figure 7, change "and," to -- and --.

Signed and Sealed this

Fourth Day of June, 2002

Attest:

A handwritten signature in black ink, appearing to read "James E. Rogan", written over a horizontal line.

Attesting Officer

JAMES E. ROGAN
Director of the United States Patent and Trademark Office