



US00D447683B1

(12) **United States Design Patent**
Grosfillex

(10) **Patent No.:** **US D447,683 S**

(45) **Date of Patent:** **** Sep. 11, 2001**

(54) **AJUSTABLE SHELVING BRACKET**

(75) **Inventor:** **Raymond Grosfillex, Oyonnax (FR)**

(73) **Assignee:** **Grosfillex Sarl, Oyonnax (FR)**

(**) **Term:** **14 Years**

(21) **Appl. No.:** **29/124,757**

(22) **Filed:** **Jun. 12, 2000**

(30) **Foreign Application Priority Data**

Dec. 20, 1999 (XH) DMA/004 730

(51) **LOC (7) Cl.** **08-05**

(52) **U.S. Cl.** **D8/381**

(58) **Field of Search** D8/381, 363, 380;
248/250, 200, 255, 237, 243, 245, 246-247,
108, 249, 235

(56) **References Cited**

U.S. PATENT DOCUMENTS

D. 345,499 * 3/1994 Padilla D8/381

D. 367,001 * 2/1996 Bright D8/381

D. 400,781 * 11/1998 Wilkening et al. D8/381
4,299,367 * 11/1981 Harlan 238/235
5,452,875 * 9/1995 Kern 248/242

* cited by examiner

Primary Examiner—Pamela Burgess

(74) *Attorney, Agent, or Firm*—Dowell & Dowell, P.C.

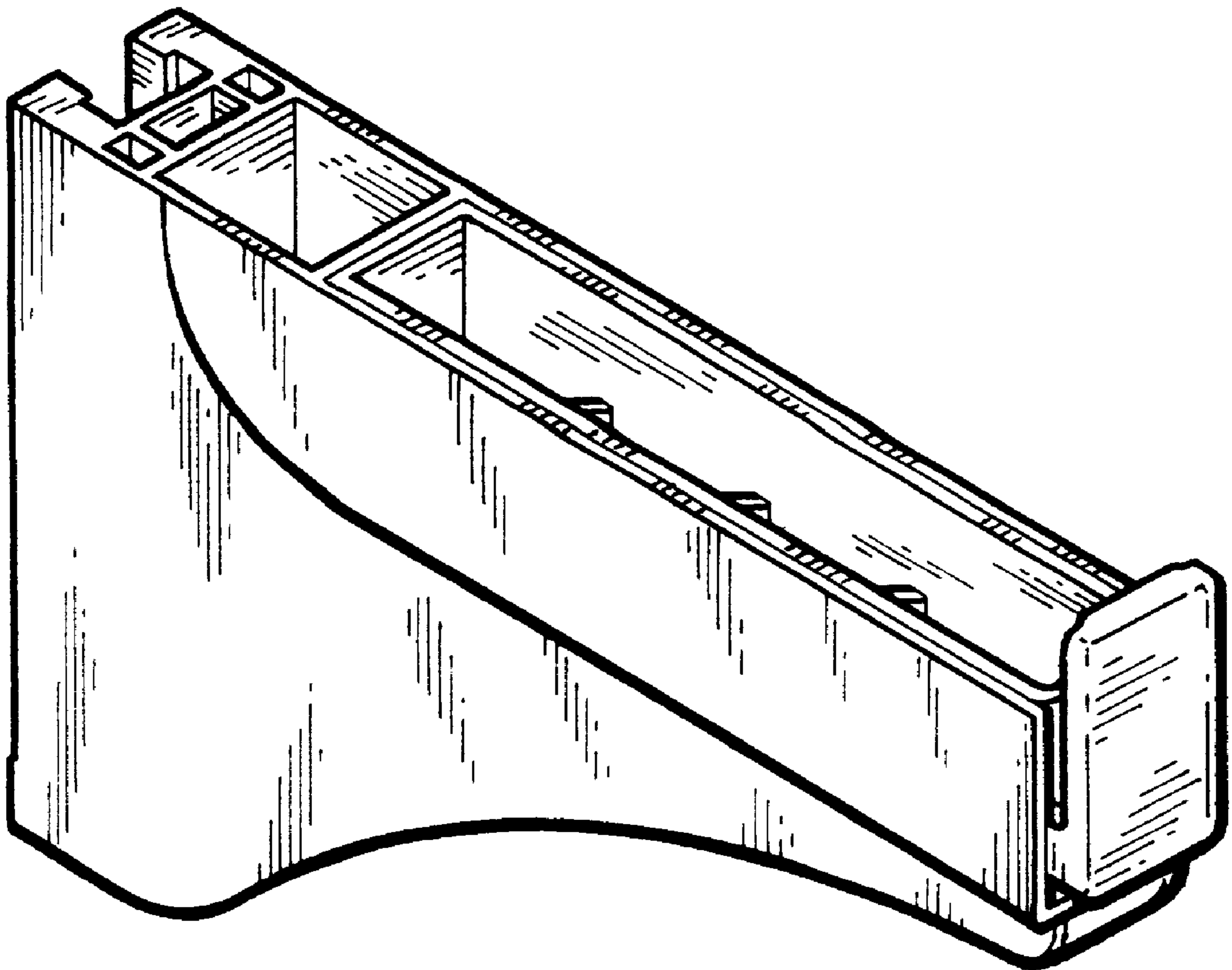
(57) **CLAIM**

The ornamental design for an adjustable shelving bracket, as shown and described.

DESCRIPTION

FIG. 1 is a front perspective view of an adjustable shelving bracket showing my new design; FIG. 2 is a view similar to FIG. 1 showing a portion of the bracket extended to an adjustable position; FIG. 3 is front elevational view; FIG. 4 is a rear elevational view; FIG. 5 is a right side view; FIG. 6 is a left side view; FIG. 7 is a top plan view; and, FIG. 8 is a bottom plan view.

1 Claim, 2 Drawing Sheets



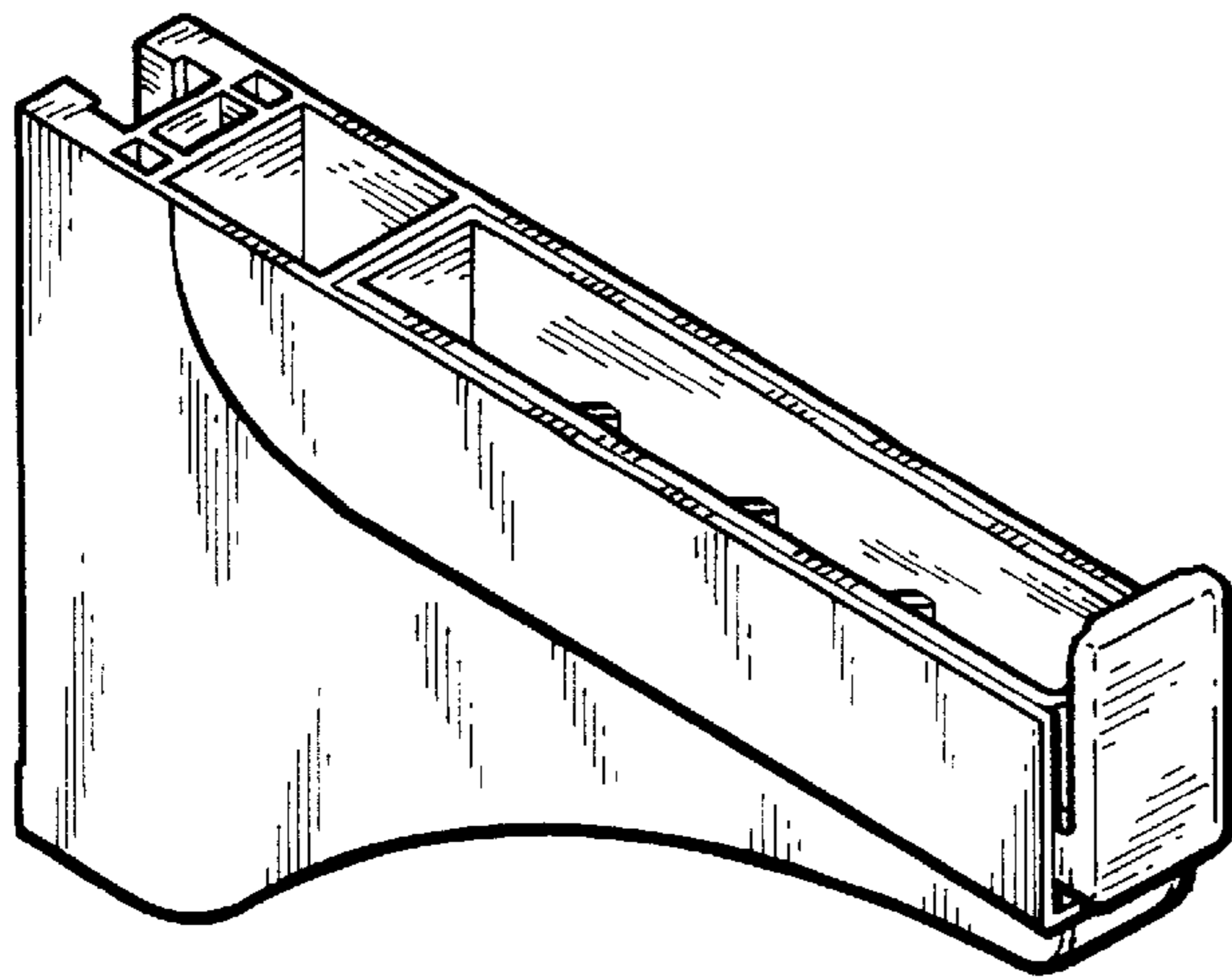


FIG. 1

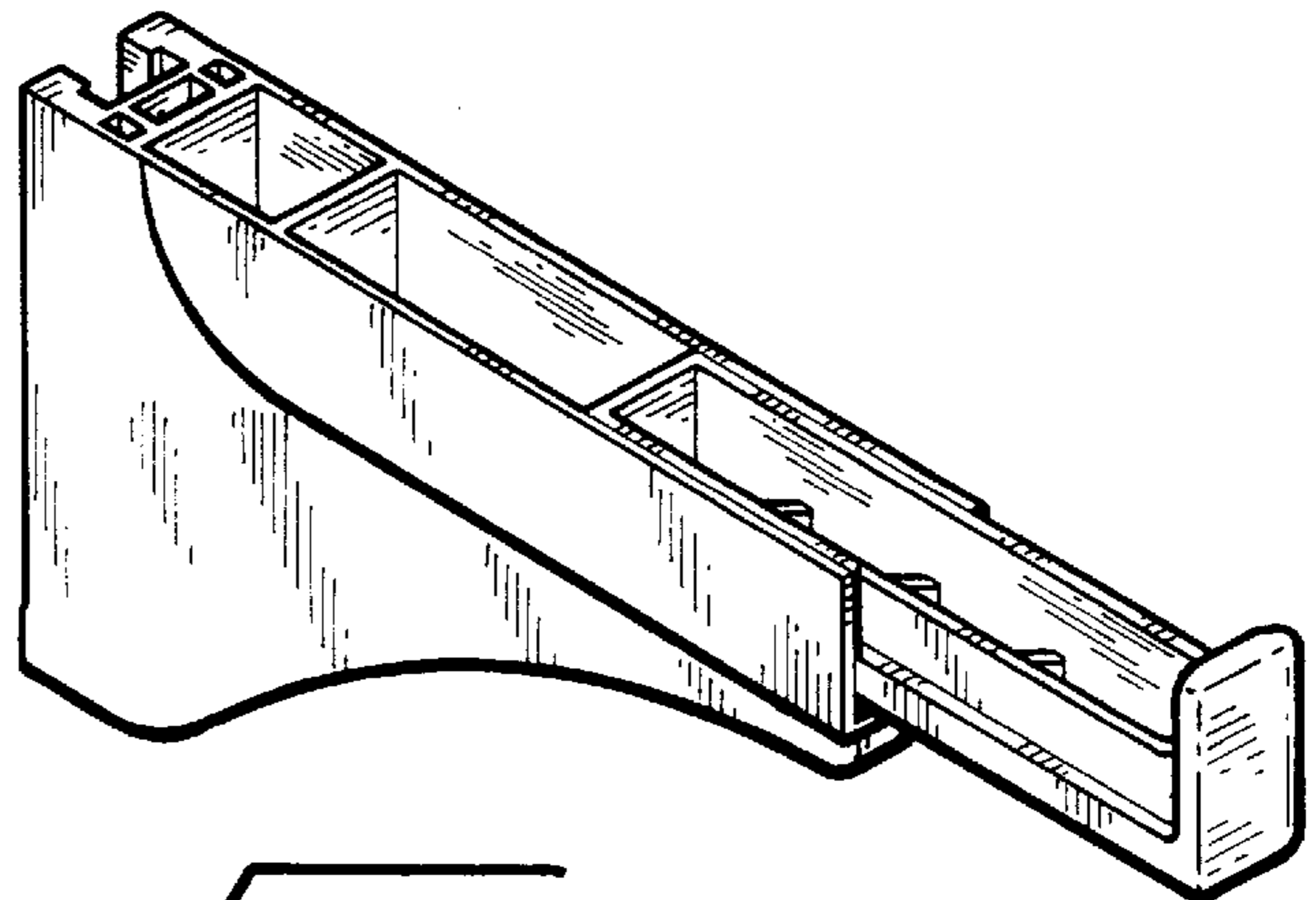


FIG. 2

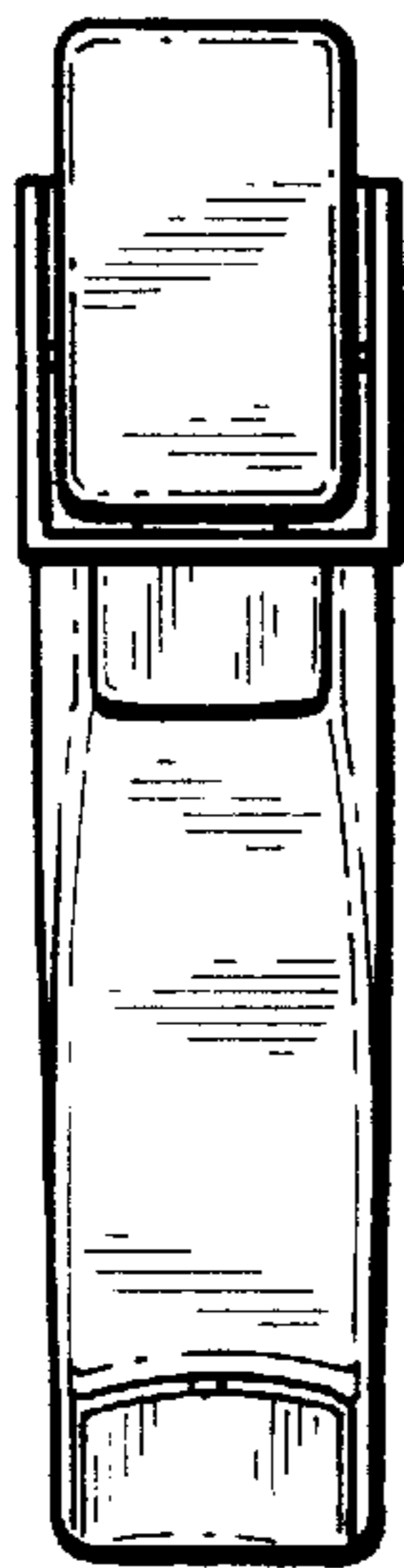


FIG. 3

FIG. 4



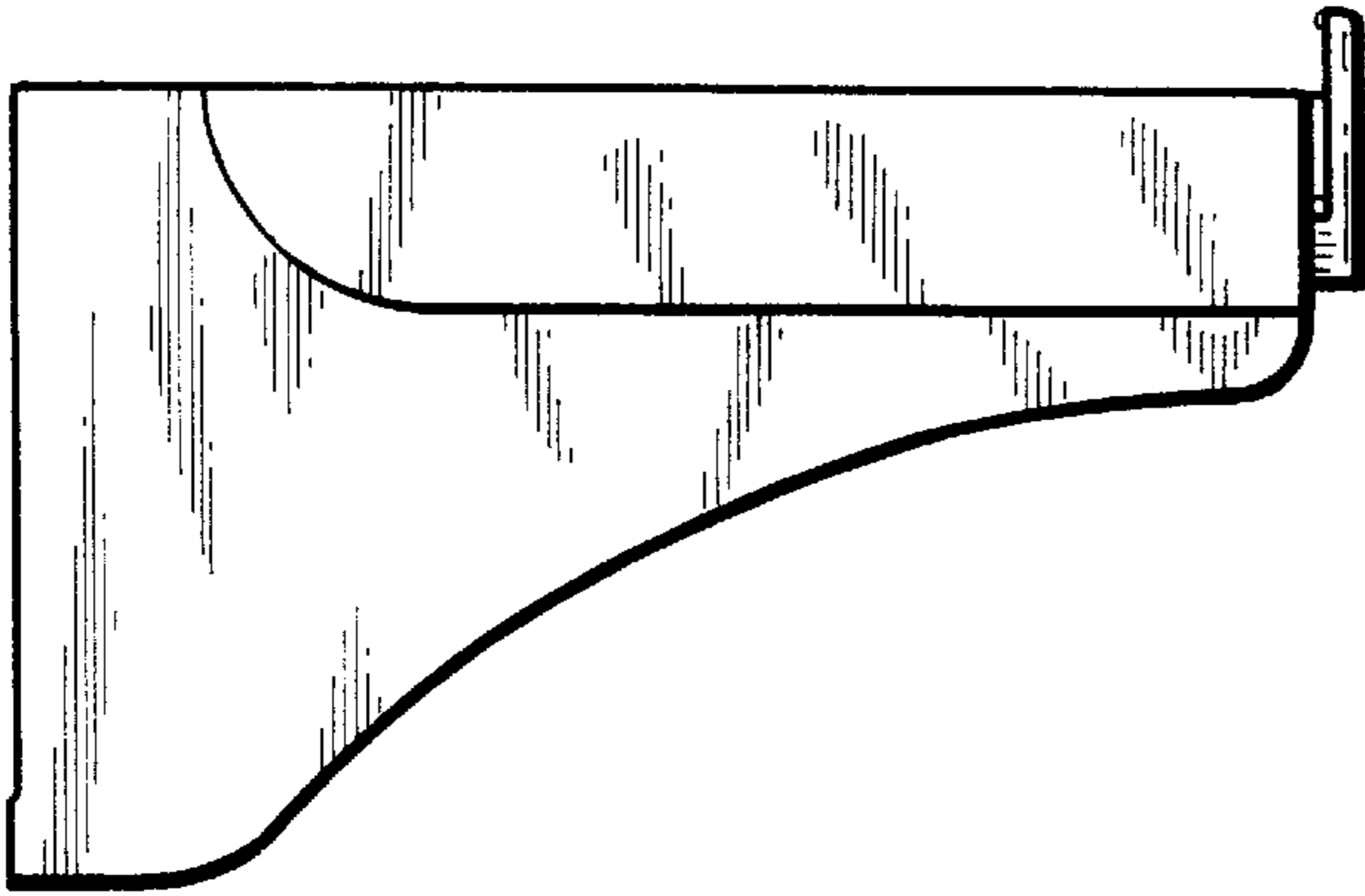


FIG. 5

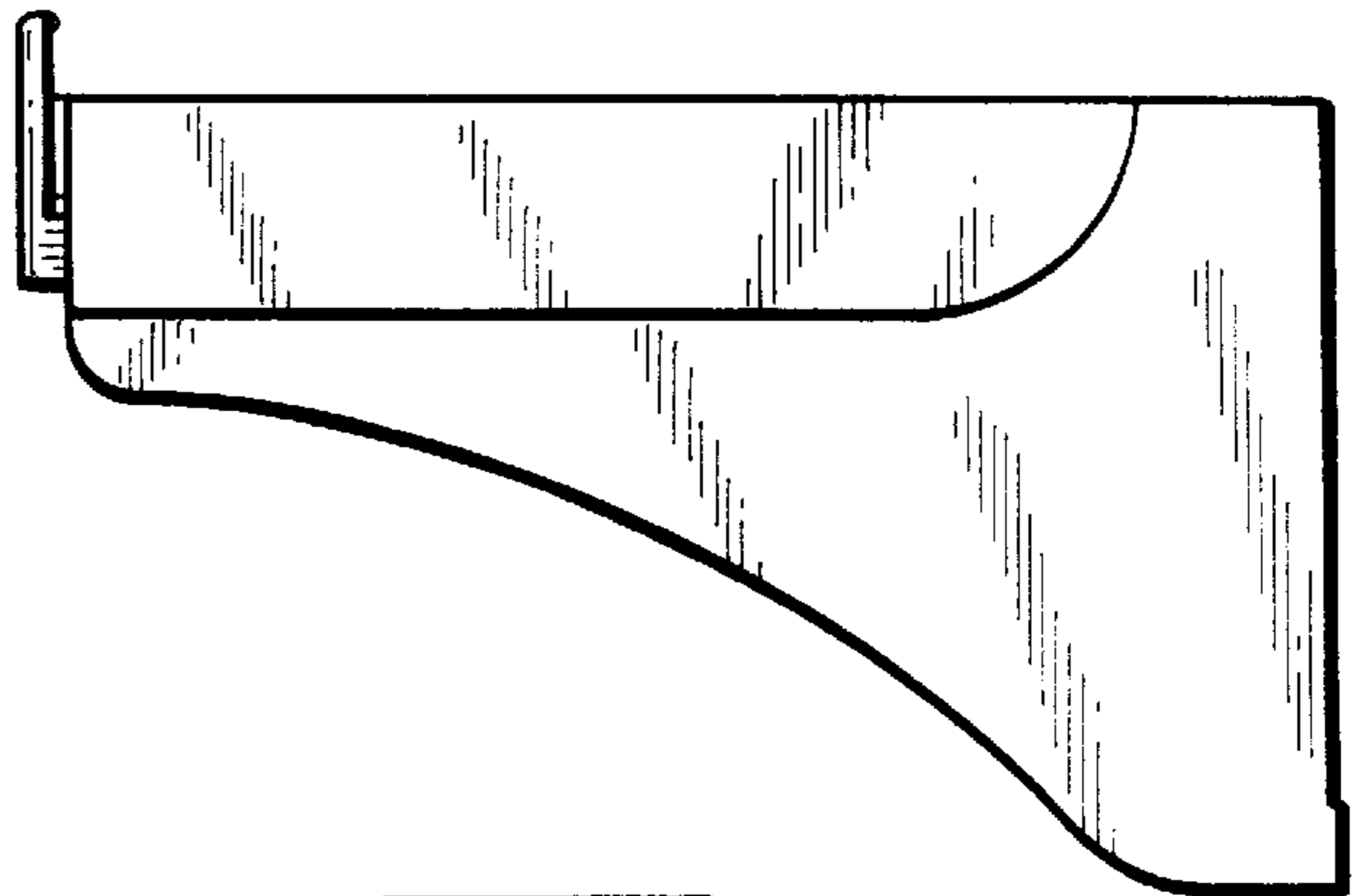


FIG. 6

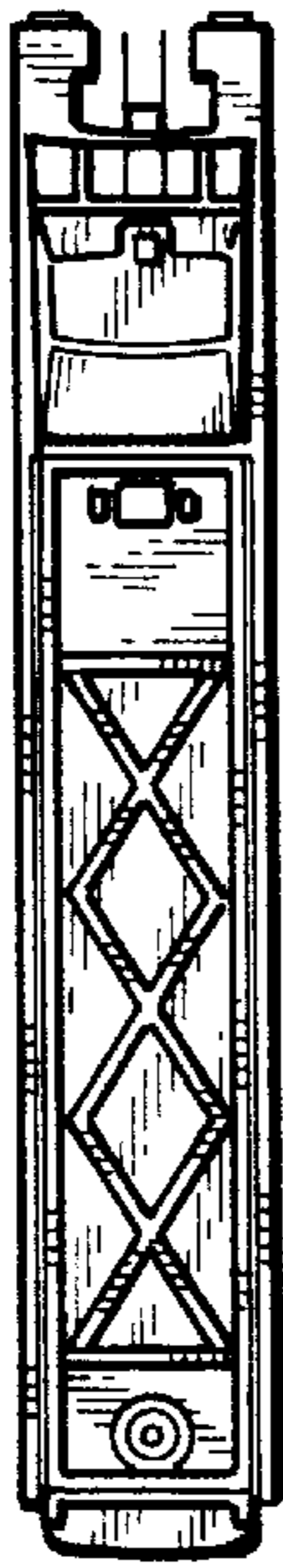


FIG. 7

FIG. 8

