



US00D447682B1

(12) **United States Design Patent**
Grabowski et al.

(10) **Patent No.: US D447,682 S**

(45) **Date of Patent: ** Sep. 11, 2001**

(54) **CASTOR**

(75) Inventors: **Daniel Grabowski; David M. Gresham; John R. Hamilton**, all of Grand Rapids; **James L. Rozema**, Kentwood, all of MI (US)

(73) Assignee: **Steelcase Development Corporation**, Caledonia, MI (US)

(**) Term: **14 Years**

(21) Appl. No.: **29/133,309**

(22) Filed: **Nov. 28, 2000**

(51) **LOC (7) Cl. 08-05**

(52) **U.S. Cl. D8/375**

(58) **Field of Search D8/375, 374; D12/133; 16/34, 18 R, 18 CG, 39, 29, 45, 27; 190/18 A**

(56) **References Cited**

U.S. PATENT DOCUMENTS

D. 274,215	6/1984	Caldwell .	
D. 282,439	2/1986	Kotzin .	
D. 319,384	8/1991	Lange .	
D. 339,736	9/1993	Harada .	
D. 378,657	4/1997	Screen .	
D. 380,373	7/1997	Screen .	
D. 409,900	5/1999	Simons et al. .	
D. 430,001	8/2000	Simons et al. .	
2,430,737 *	11/1947	Roe	16/39

* cited by examiner

Primary Examiner—Pamela Burgess

(74) *Attorney, Agent, or Firm*—Price Heneveld Cooper DeWitt & Litton

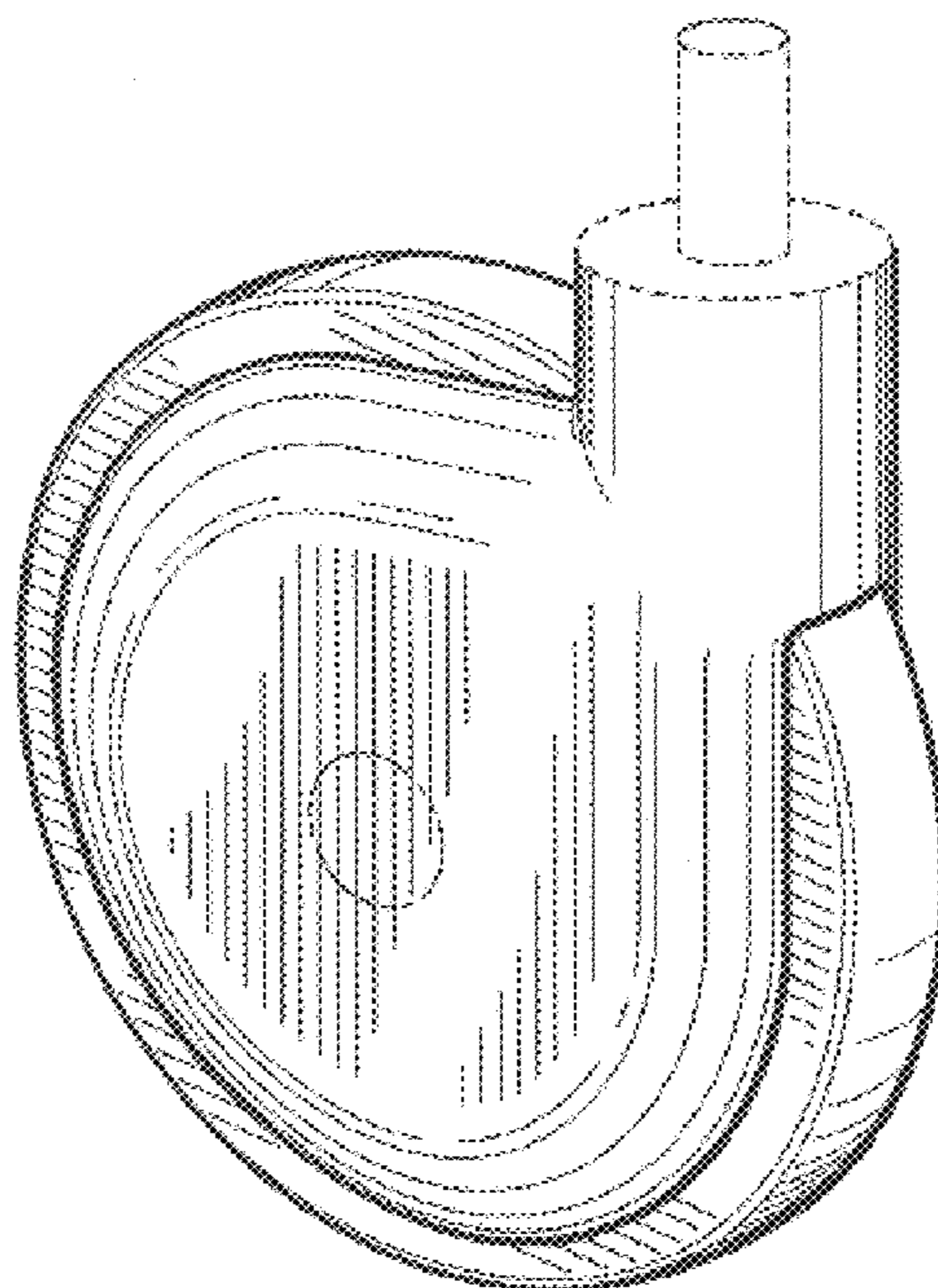
(57) **CLAIM**

We claim the ornamental design for a castor, as shown and described.

DESCRIPTION

FIG. 1 is a perspective view of a castor embodying our design;
 FIG. 2 is a right side view of FIG. 1, the left side view being a mirror image of the right side;
 FIG. 3 is a front view of FIG. 1;
 FIG. 4 is a is a rear view of FIG. 1;
 FIG. 5 is a top view of FIG. 1; and
 FIG. 6 is a bottom view of FIG. 1.
 FIG. 7 is a perspective view of another castor embodying our design;
 FIG. 8 is a right side view of FIG. 7, the left side view being a mirror image of the right side;
 FIG. 9 is a front view of FIG. 7,
 FIG. 10 is a is a rear view of FIG. 7;
 FIG. 11 is a top view of FIG. 7; and
 FIG. 12 is a bottom view of FIG. 7.
 FIG. 13 is a perspective view of yet another castor embodying our design;
 FIG. 14 is a right side view of FIG. 13, the left side view being a mirror image of the right side;
 FIG. 15 is a front view of FIG. 13;
 FIG. 16 is a is a rear view of FIG. 13;
 FIG. 17 is a top view of FIG. 13; and,
 FIG. 18 is a bottom view of FIG. 13.
 The dashed and phantom lines in the FIGS. 1–18 are to show the environment and do not form a part of the present invention.

1 Claim, 6 Drawing Sheets



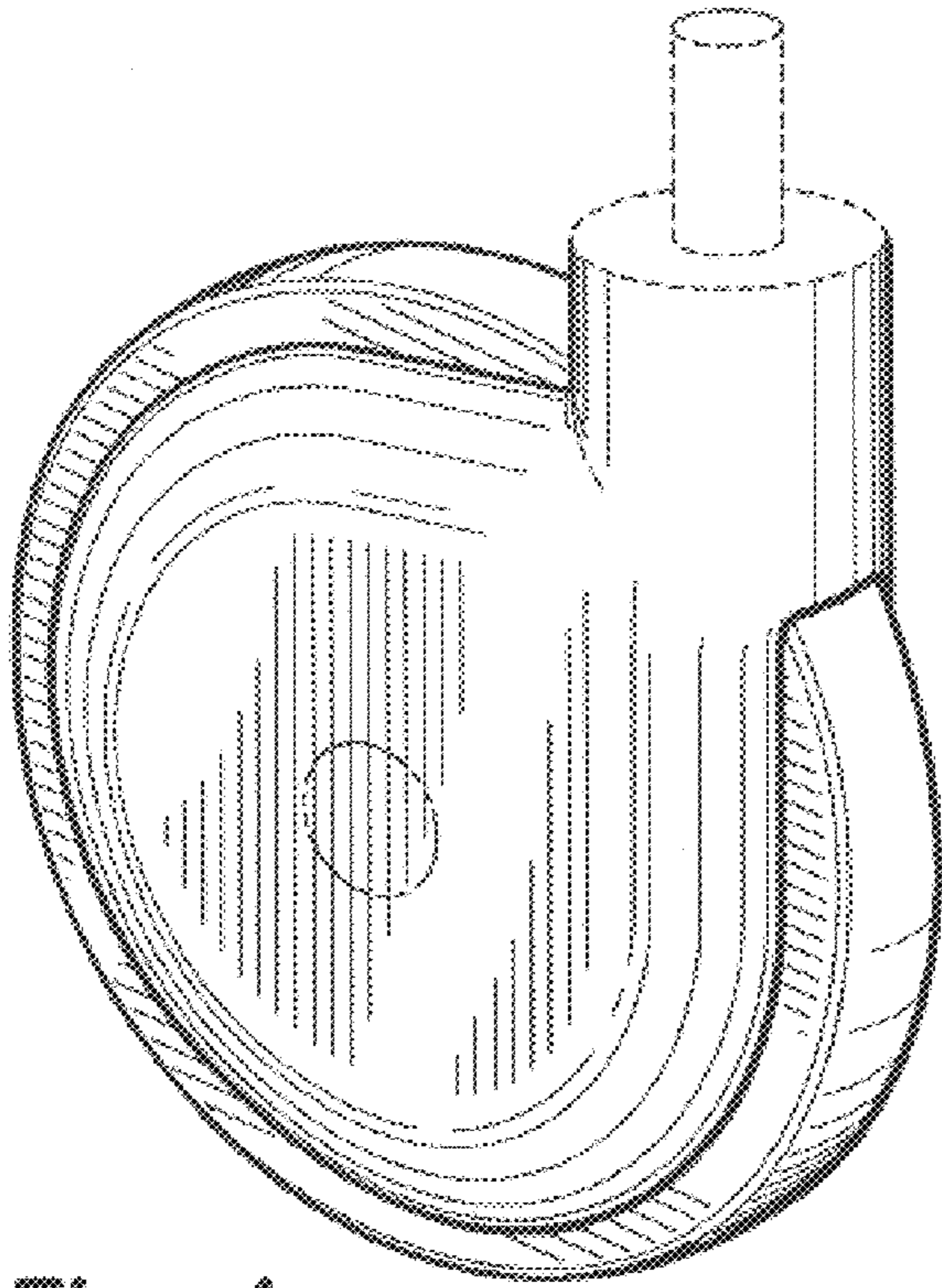


Fig. 1

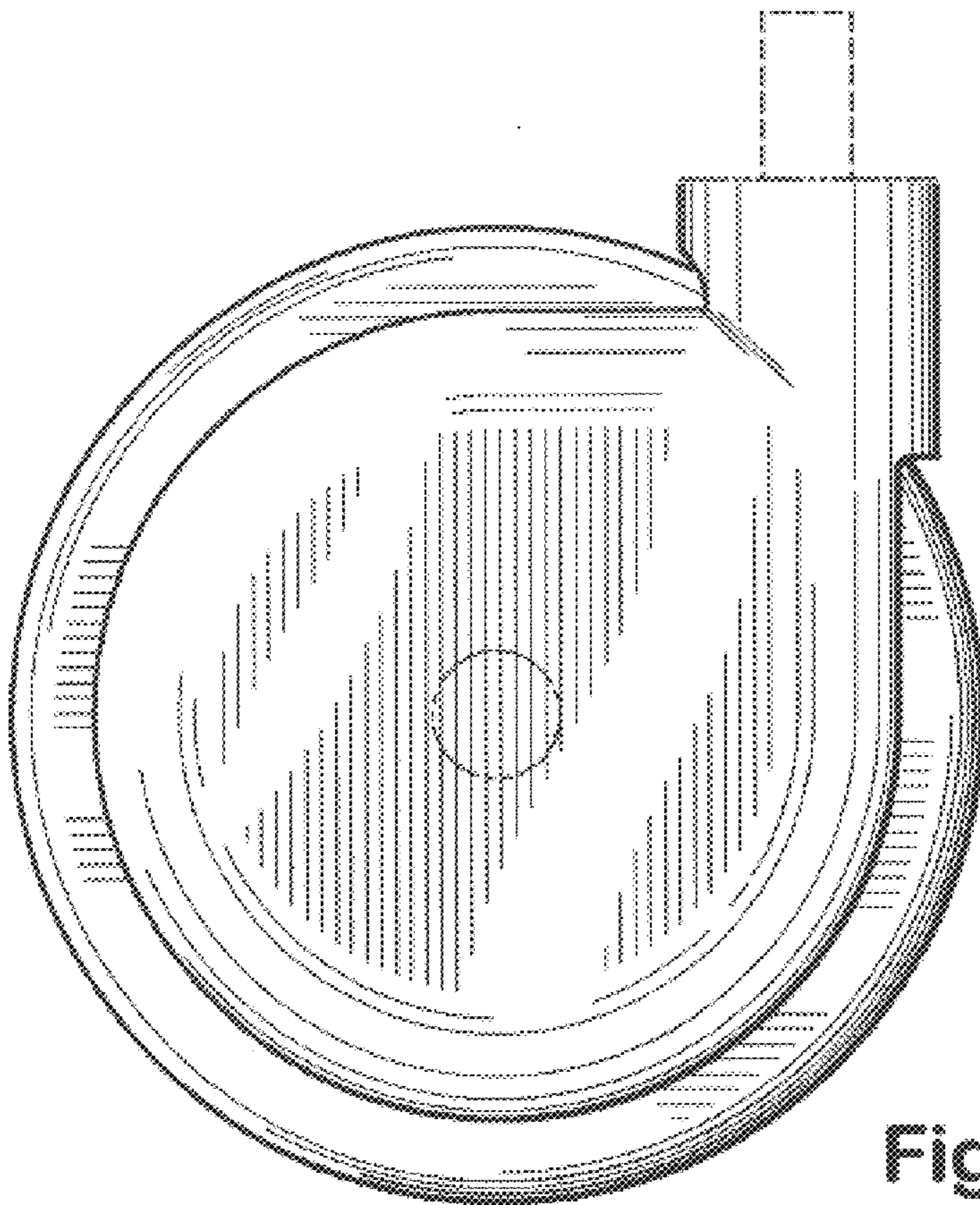


Fig. 2

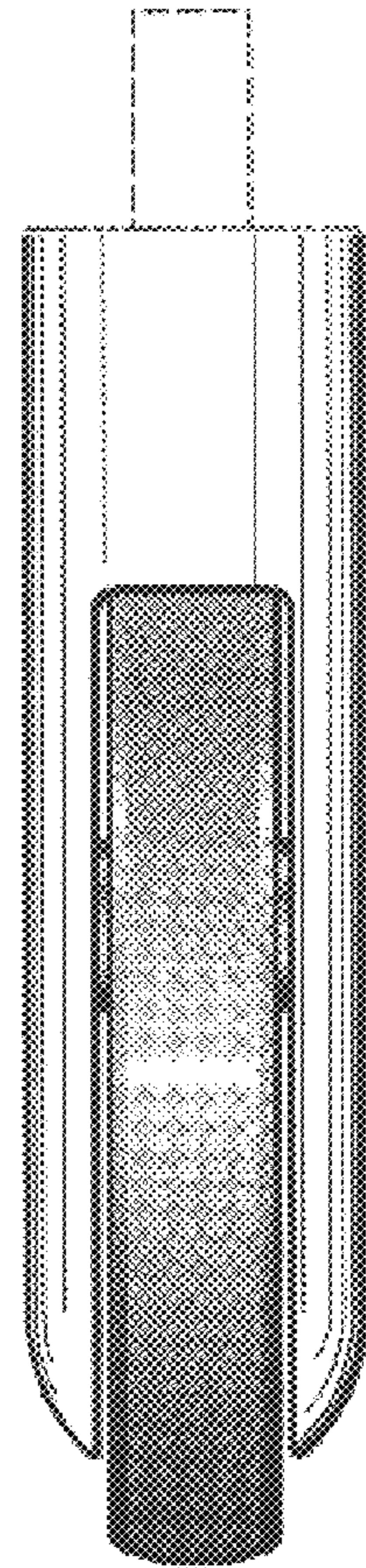


Fig. 3

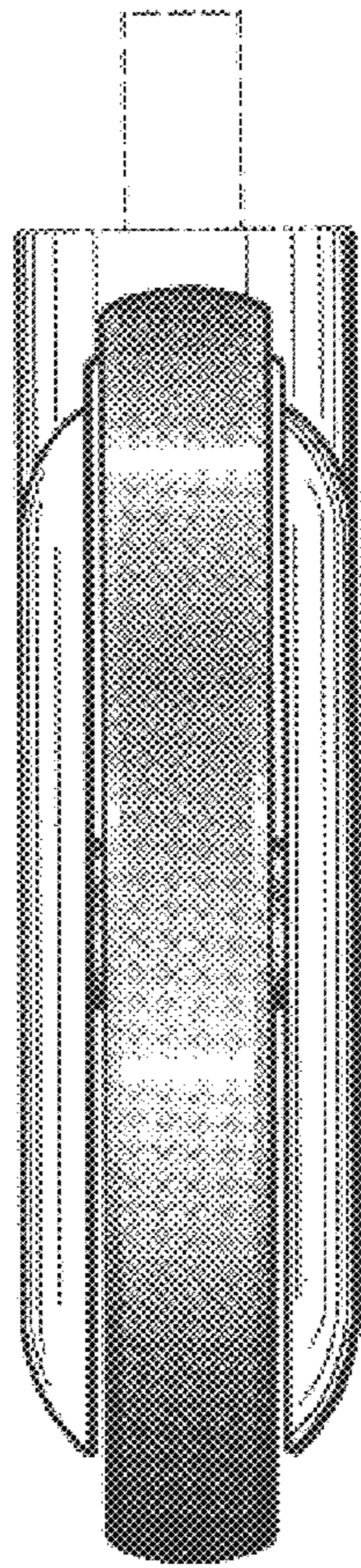


Fig. 4

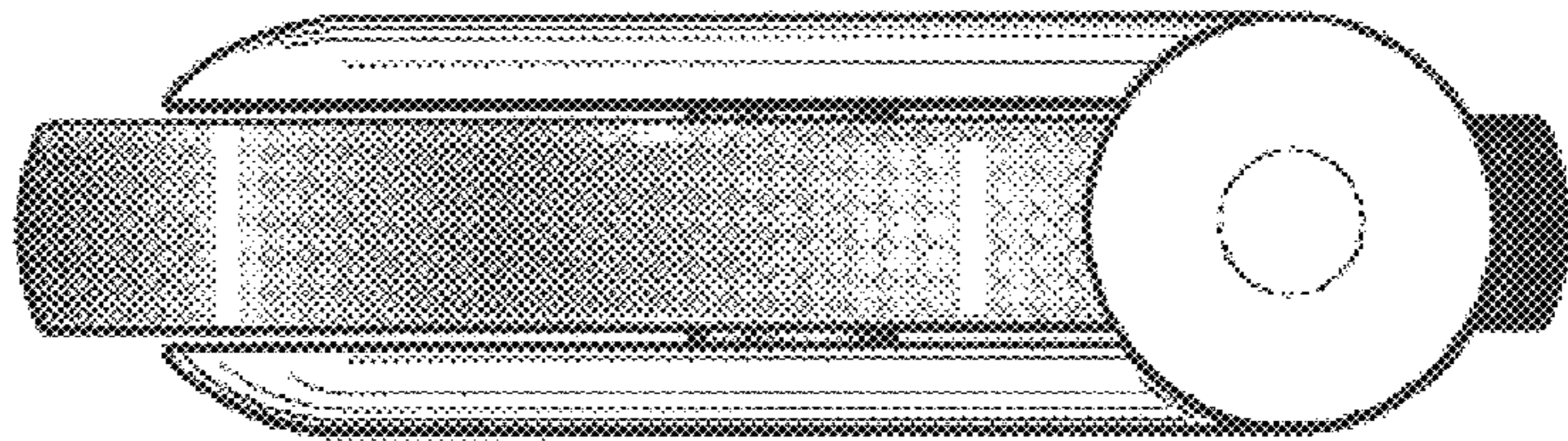


Fig. 5

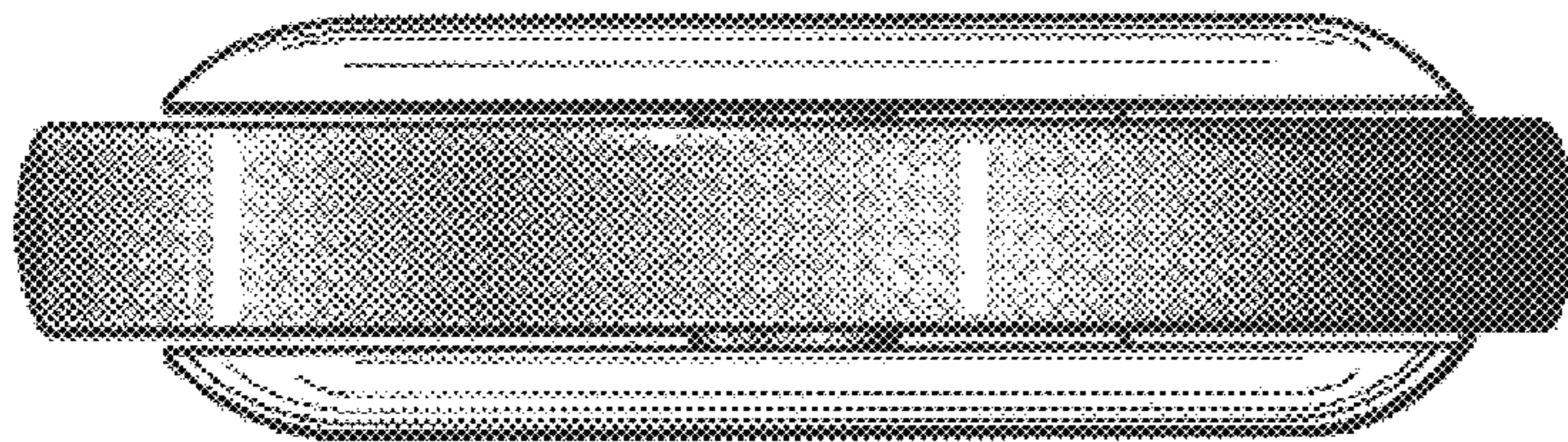


Fig. 6

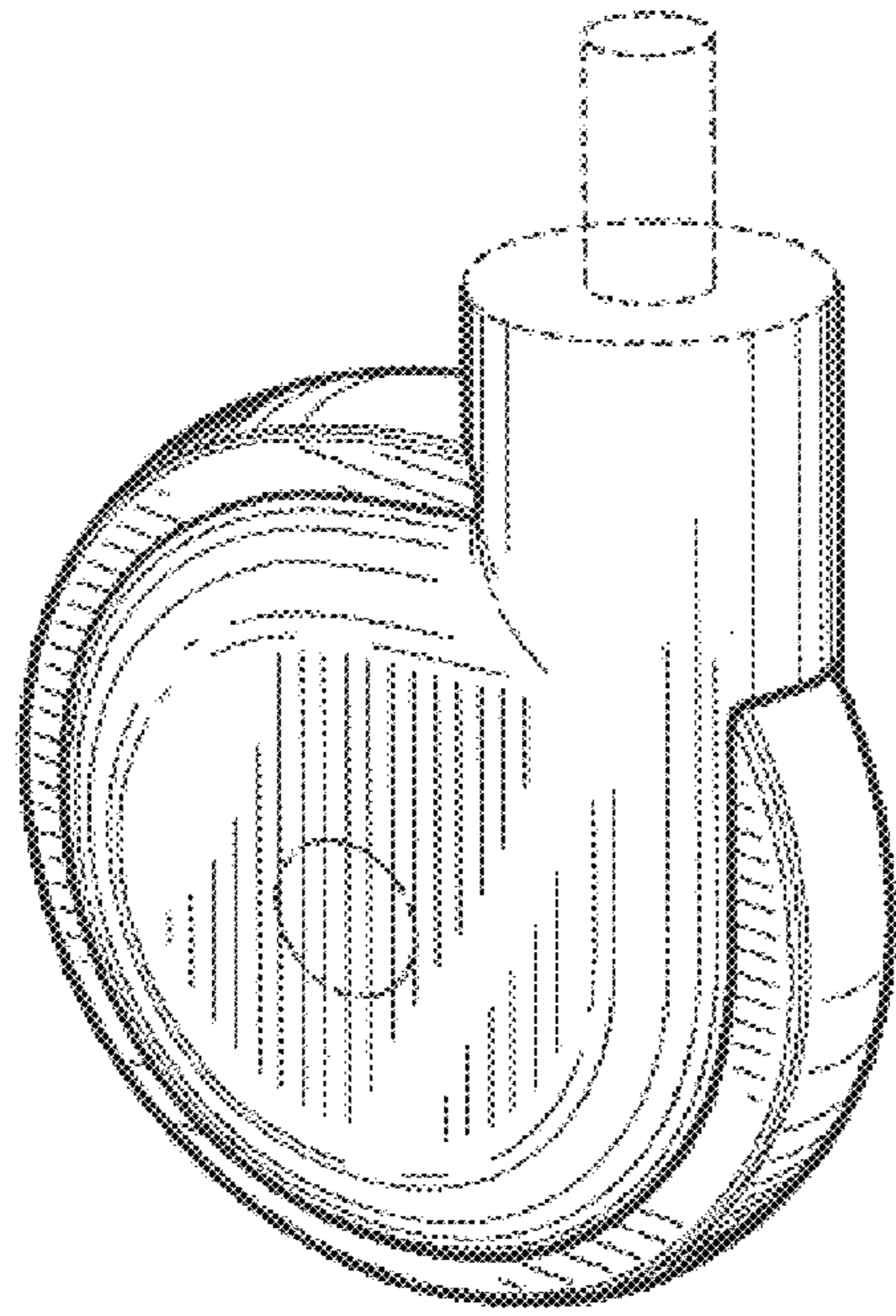


Fig. 7

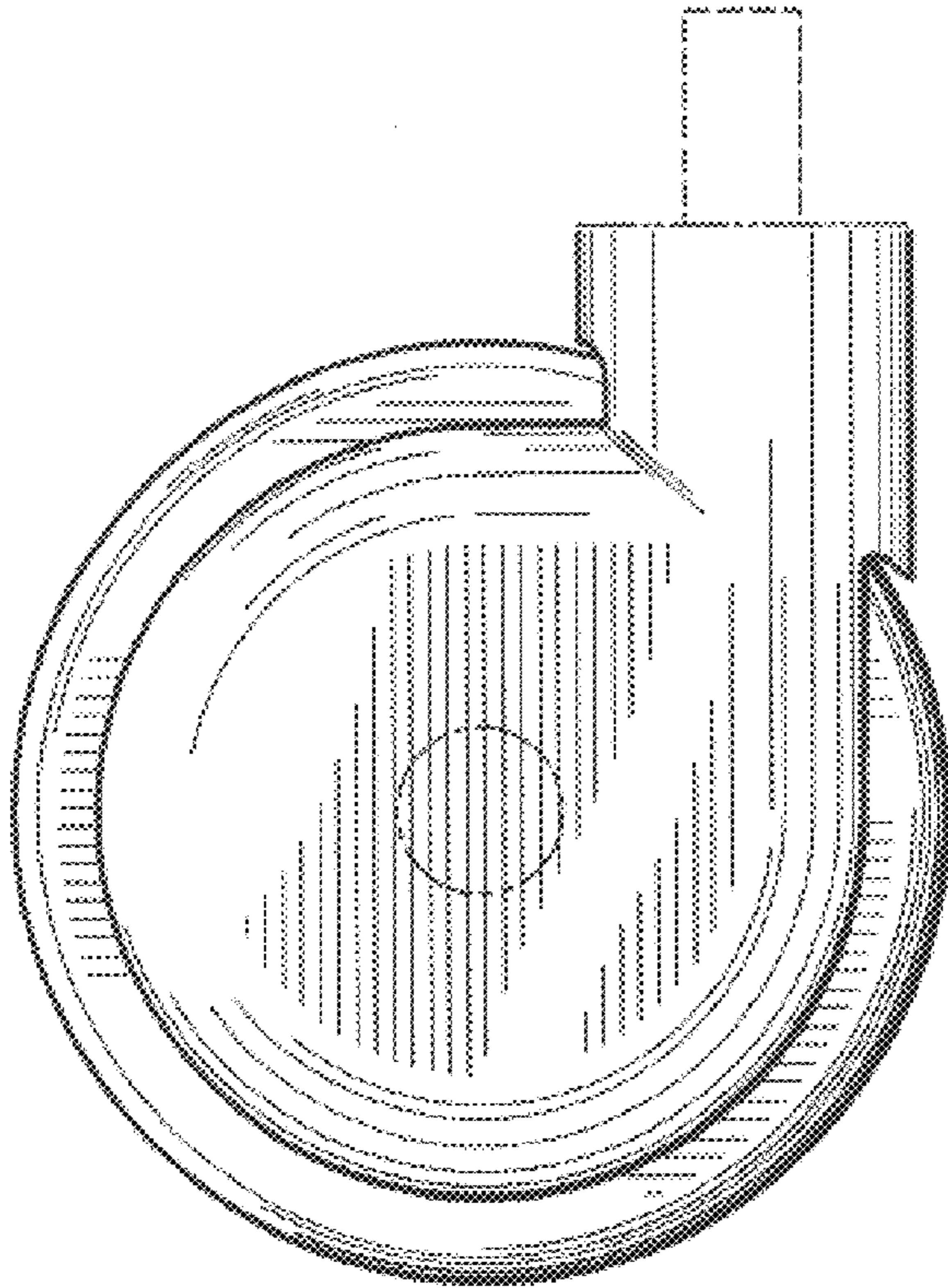


Fig. 8

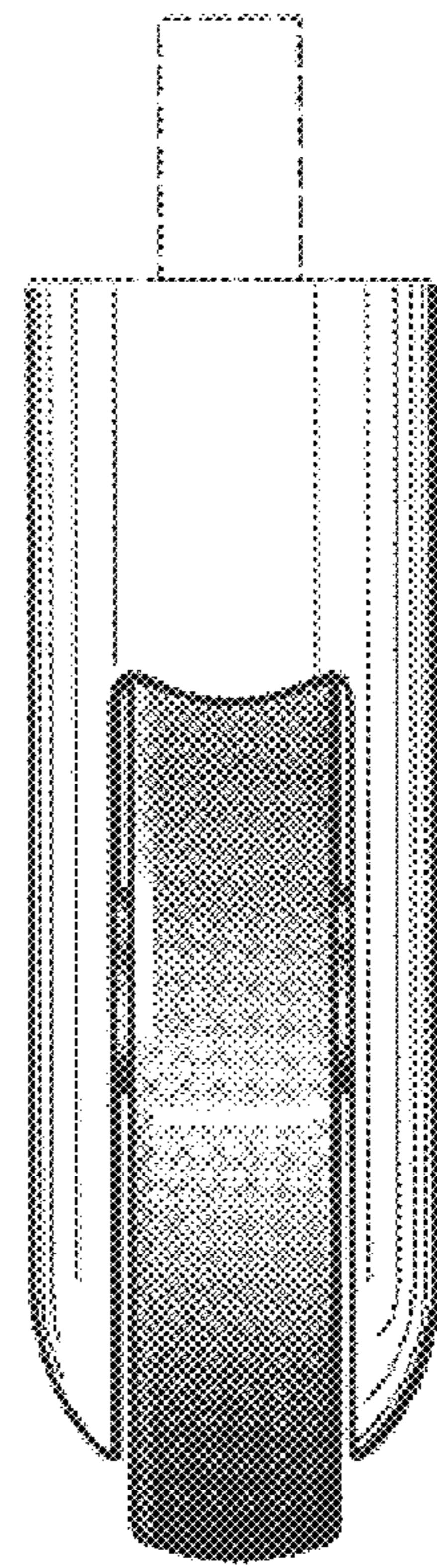


Fig. 9

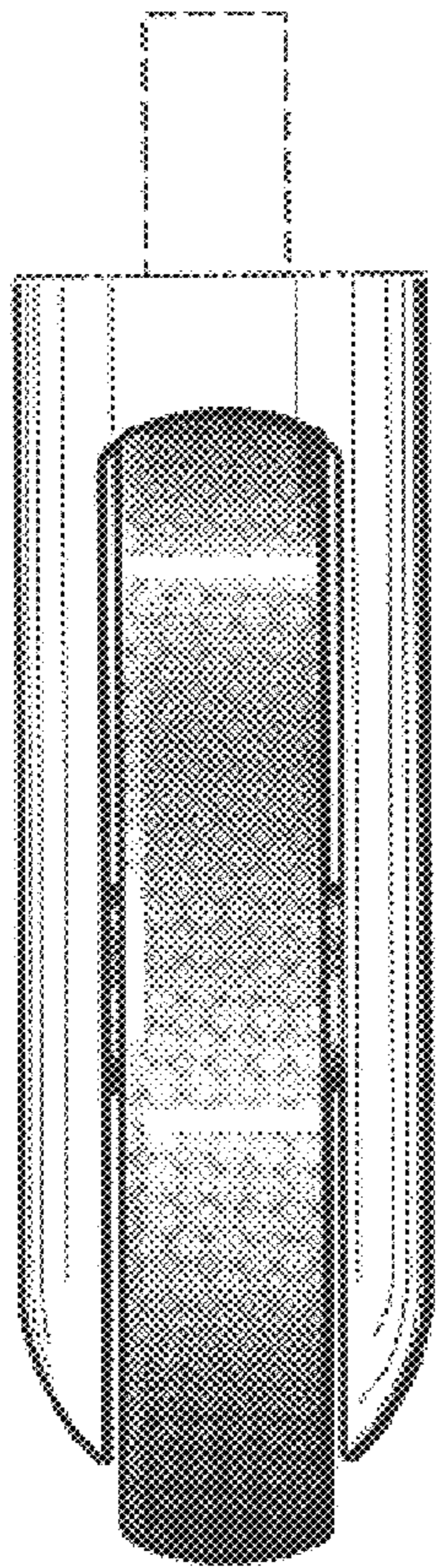


Fig. 10

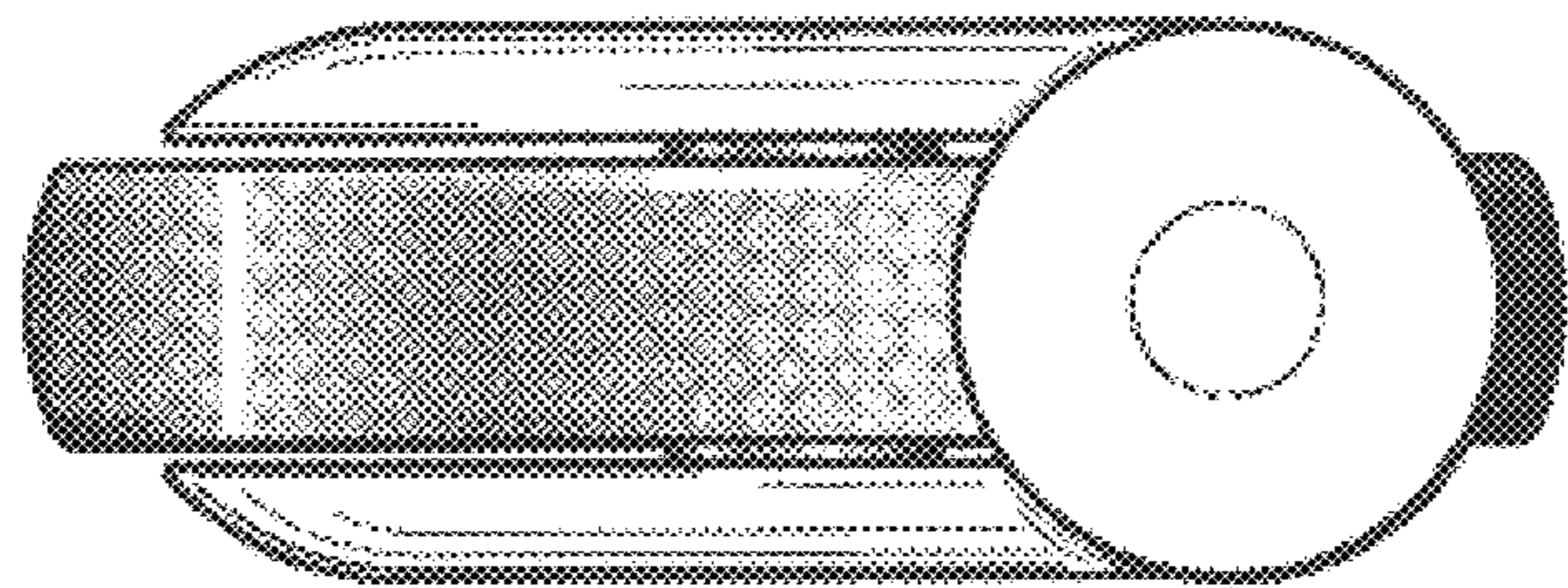


Fig. 11

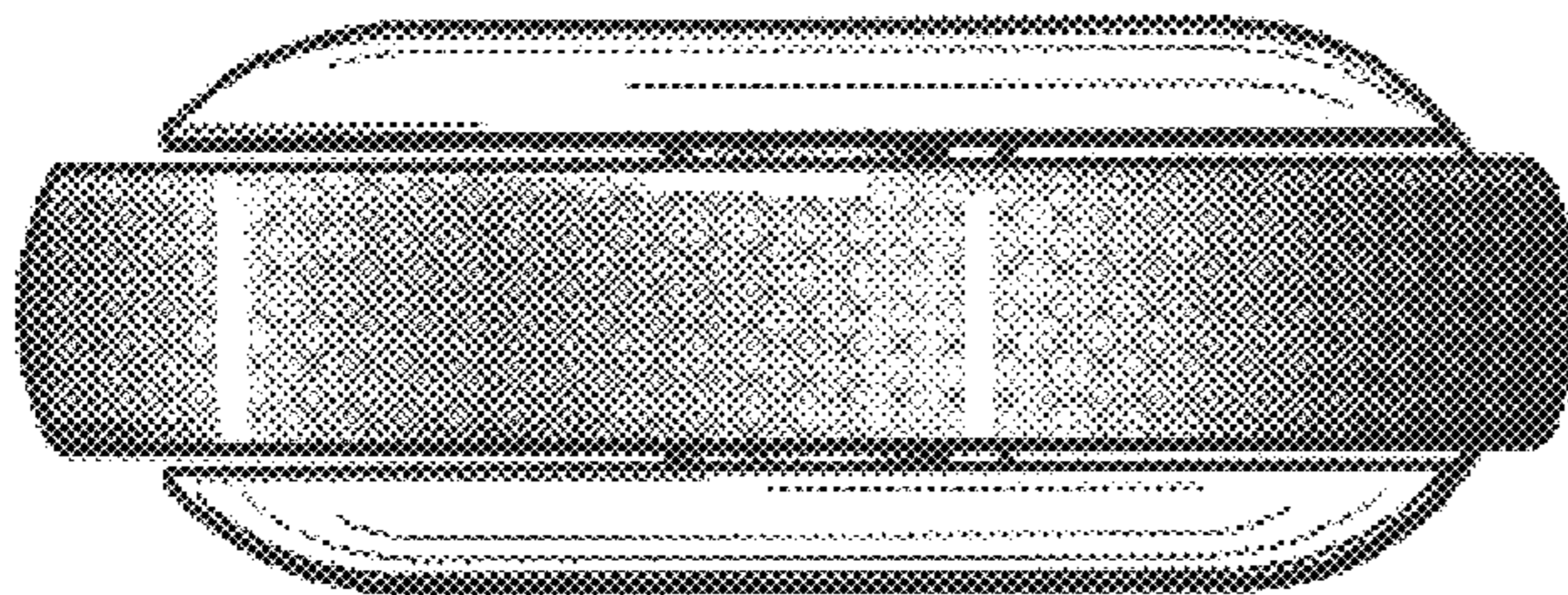


Fig. 12

Fig. 13

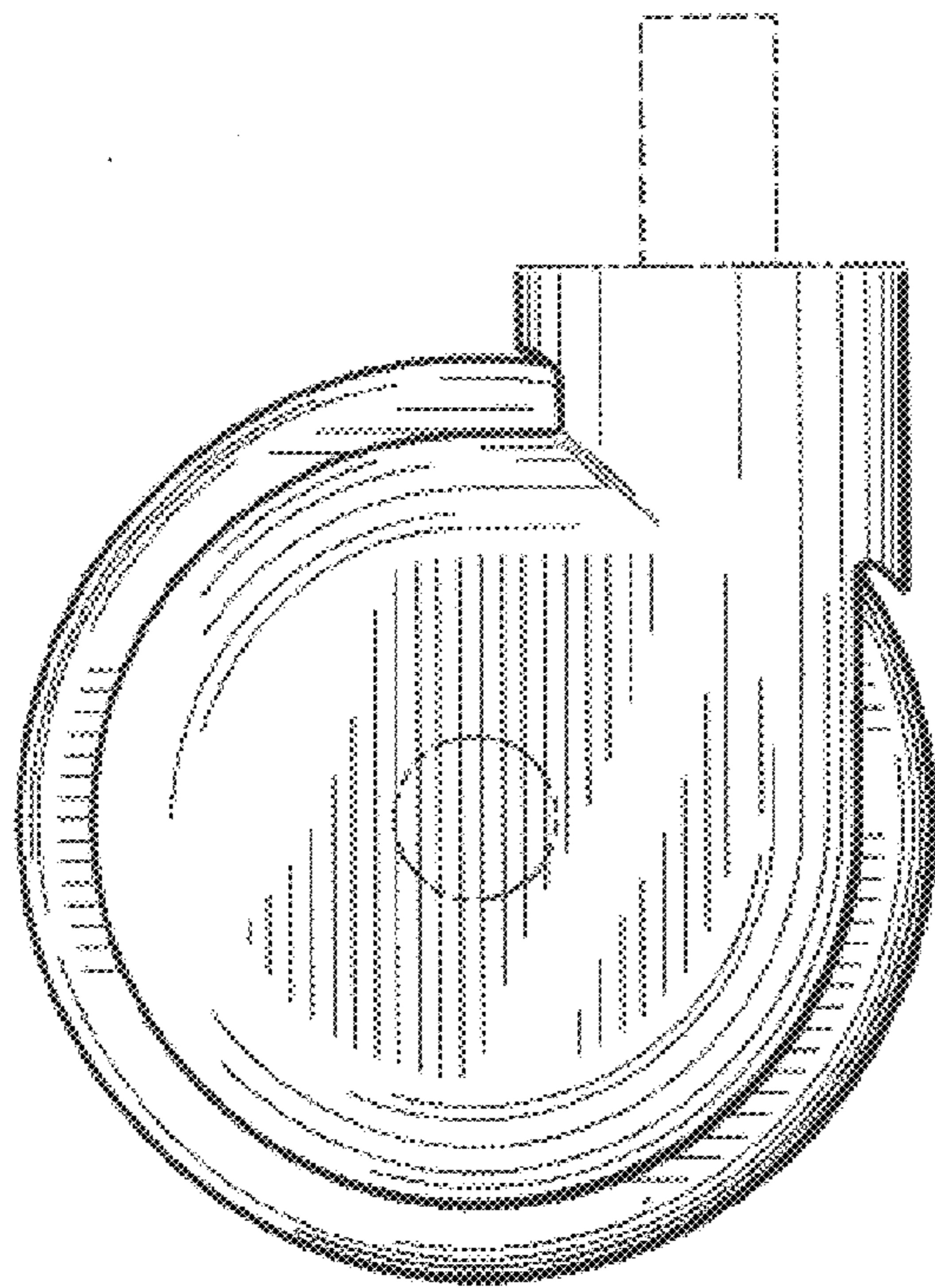
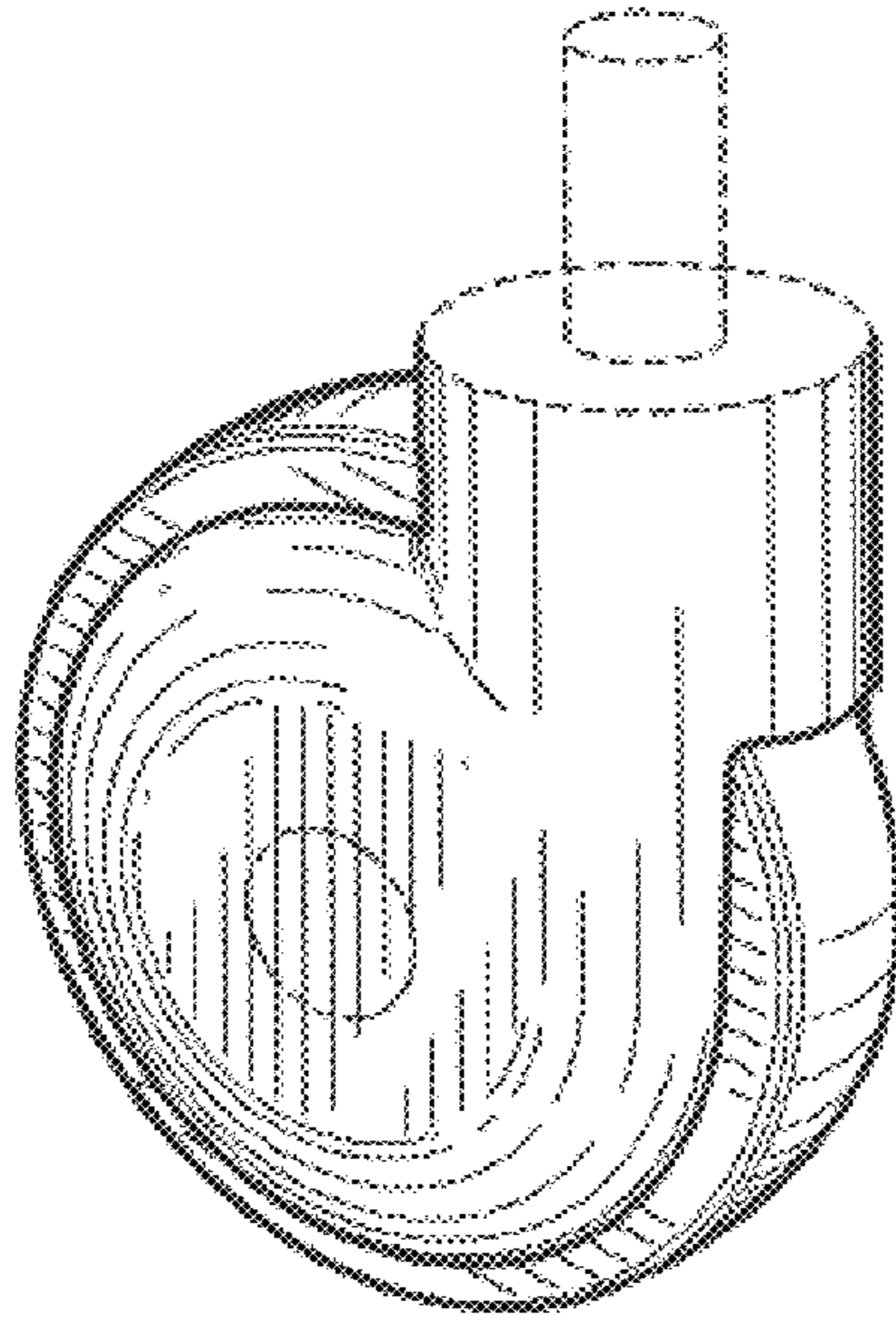


Fig. 14

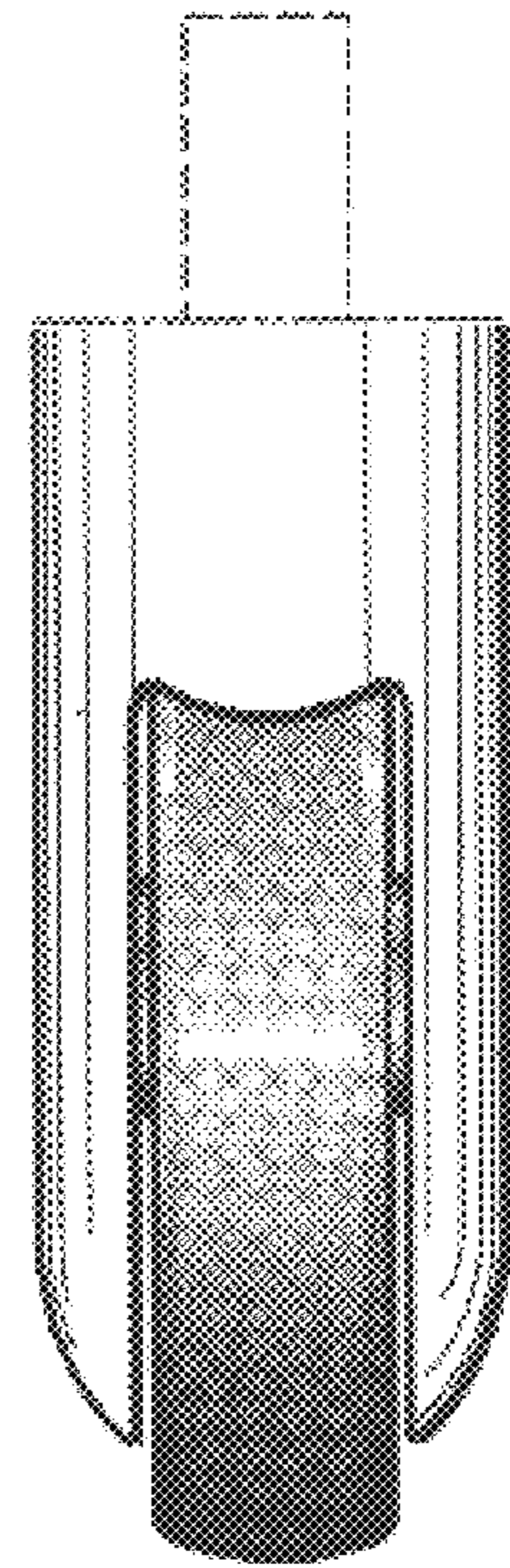


Fig. 15

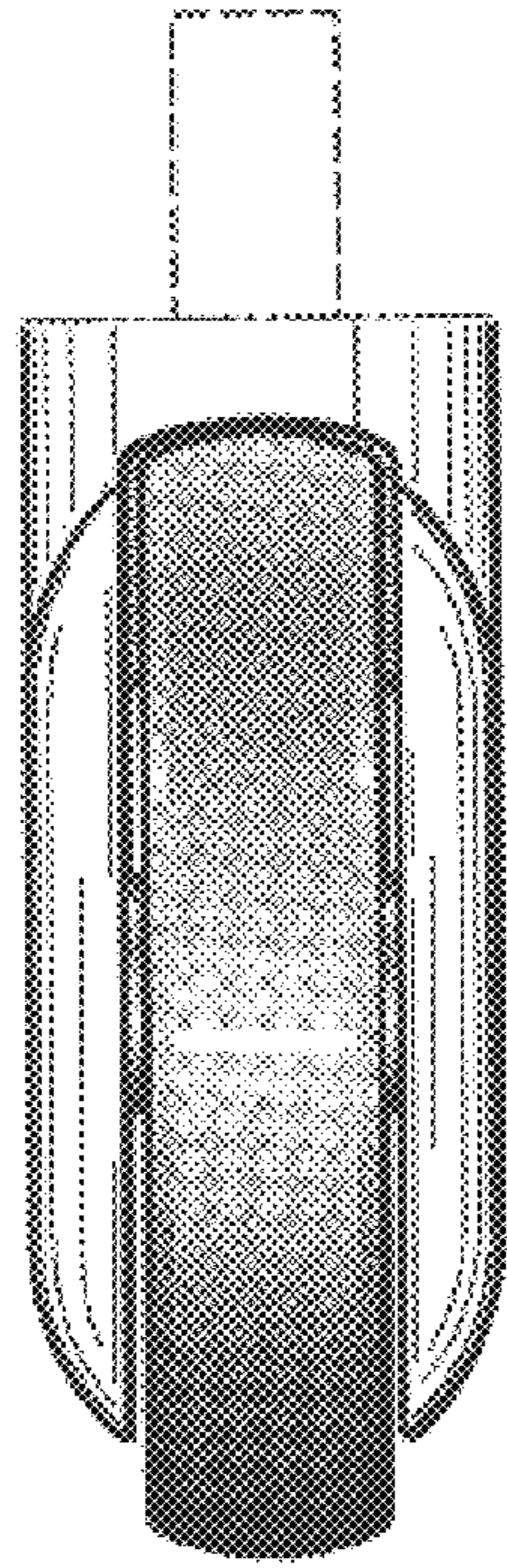


Fig. 16

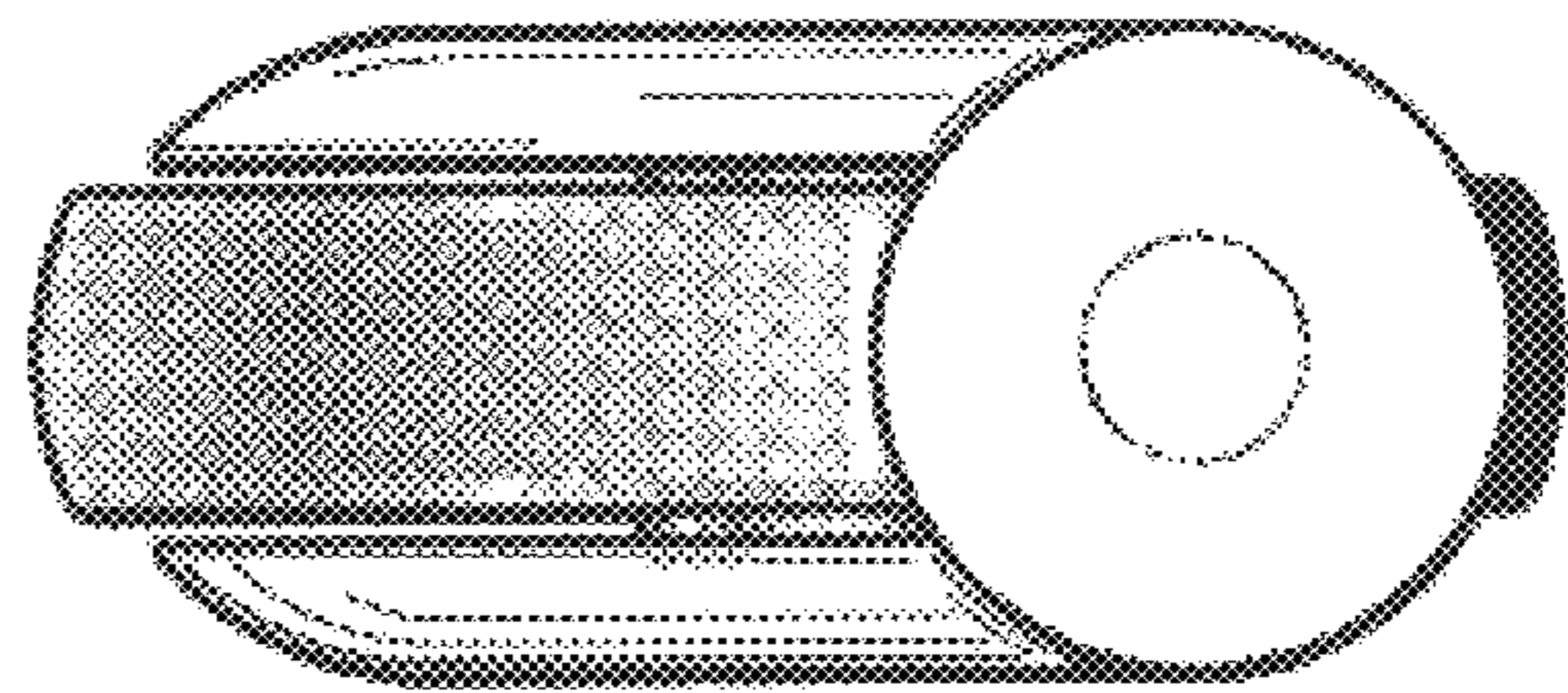


Fig. 17

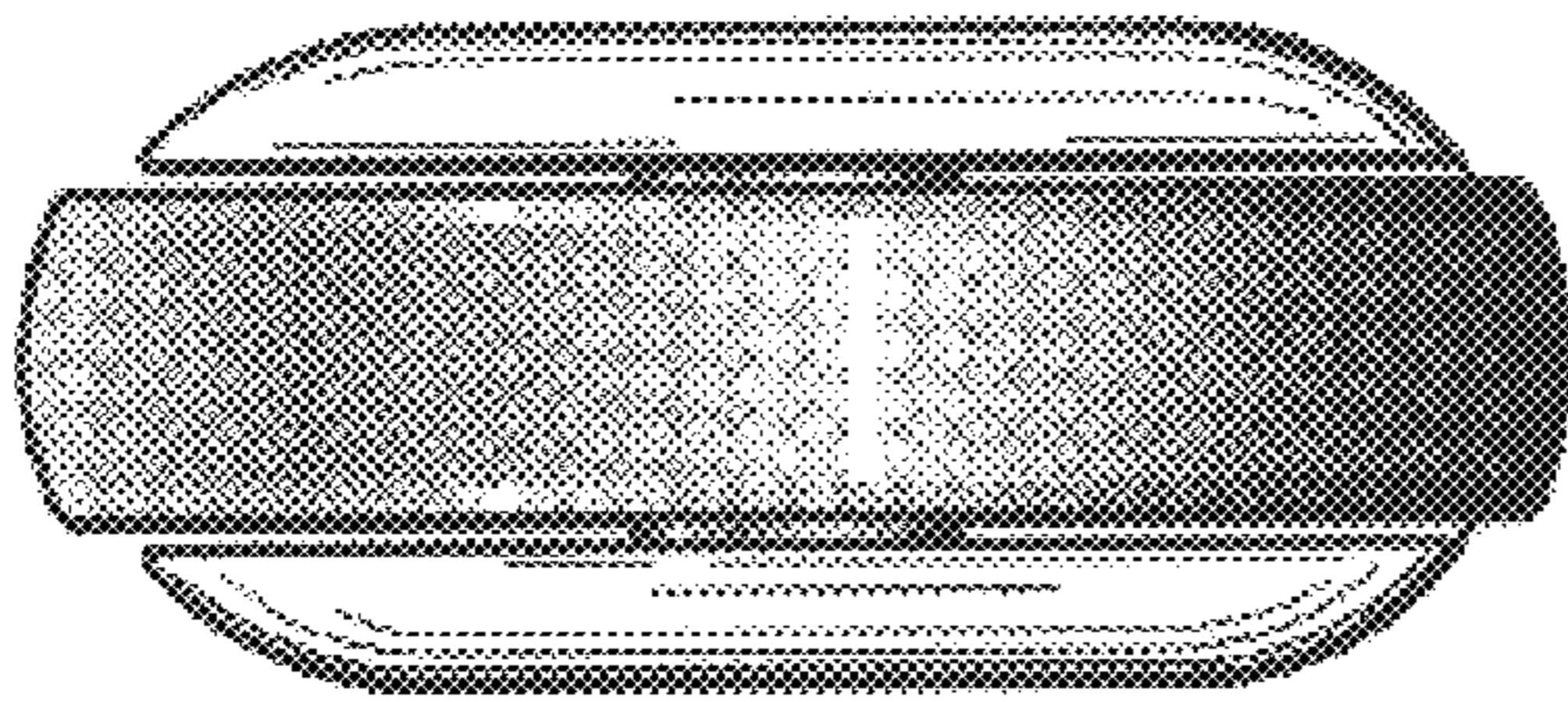


Fig. 18