



US00D447677B1

(12) **United States Design Patent**
Stirm

(10) **Patent No.:** **US D447,677 S**

(45) **Date of Patent:** **** Sep. 11, 2001**

(54) **DEMOLITION HAMMER**

(75) Inventor: **Michael Stirm**, Oberursel (DE)

(73) Assignee: **Black & Decker Inc.**, Newark, DE (US)

(**) Term: **14 Years**

(21) Appl. No.: **29/123,246**

(22) Filed: **May 15, 2000**

(30) **Foreign Application Priority Data**

Nov. 18, 1999 (GB) 2088161

(51) **LOC (7) Cl.** **08-01**

(52) **U.S. Cl.** **D8/69**

(58) **Field of Search** D8/61-70; 81/57.11, 81/54, 57.42; 173/170, 217, 169, 216, 213, 164, 168, 221, 48; 451/357-359, 344; 310/50

(56) **References Cited**

U.S. PATENT DOCUMENTS

- D. 167,415 * 8/1952 McCabe D8/69
- D. 180,923 * 9/1957 Anton D8/67
- D. 301,967 * 7/1989 Sakamoto et al. D8/67
- D. 310,936 * 10/1990 Saito et al. D8/67
- D. 329,794 * 9/1992 Graham D8/68

- D. 333,076 * 2/1993 Fushiya et al. D8/61
- D. 341,532 * 11/1993 Watanabe et al. D8/69
- D. 386,379 * 11/1997 Kasuya D8/69
- D. 395,586 * 6/1998 Arakawa et al. D8/69
- D. 409,468 * 5/1999 Uchida et al. D8/69
- 3,053,100 * 9/1962 Luhm 173/170 X
- 4,770,254 * 9/1988 Kominami 173/109

* cited by examiner

Primary Examiner—Jeffrey Asch

(74) *Attorney, Agent, or Firm*—Michael P. Leary

(57) **CLAIM**

The ornamental design for a demolition hammer, as shown and described.

DESCRIPTION

FIG. 1 is a front perspective view of a demolition hammer showing my new design.

FIG. 2 is a rear perspective view of FIG. 1.

FIG. 3 is a left side elevational view of FIG. 1.

FIG. 4 is a right side elevational view of FIG. 1.

FIG. 5 is a top plan view of FIG. 1.

FIG. 6 is a bottom plan view of FIG. 1.

FIG. 7 is a front elevational view of FIG. 1; and,

FIG. 8 is a rear elevational view of FIG. 1.

1 Claim, 7 Drawing Sheets

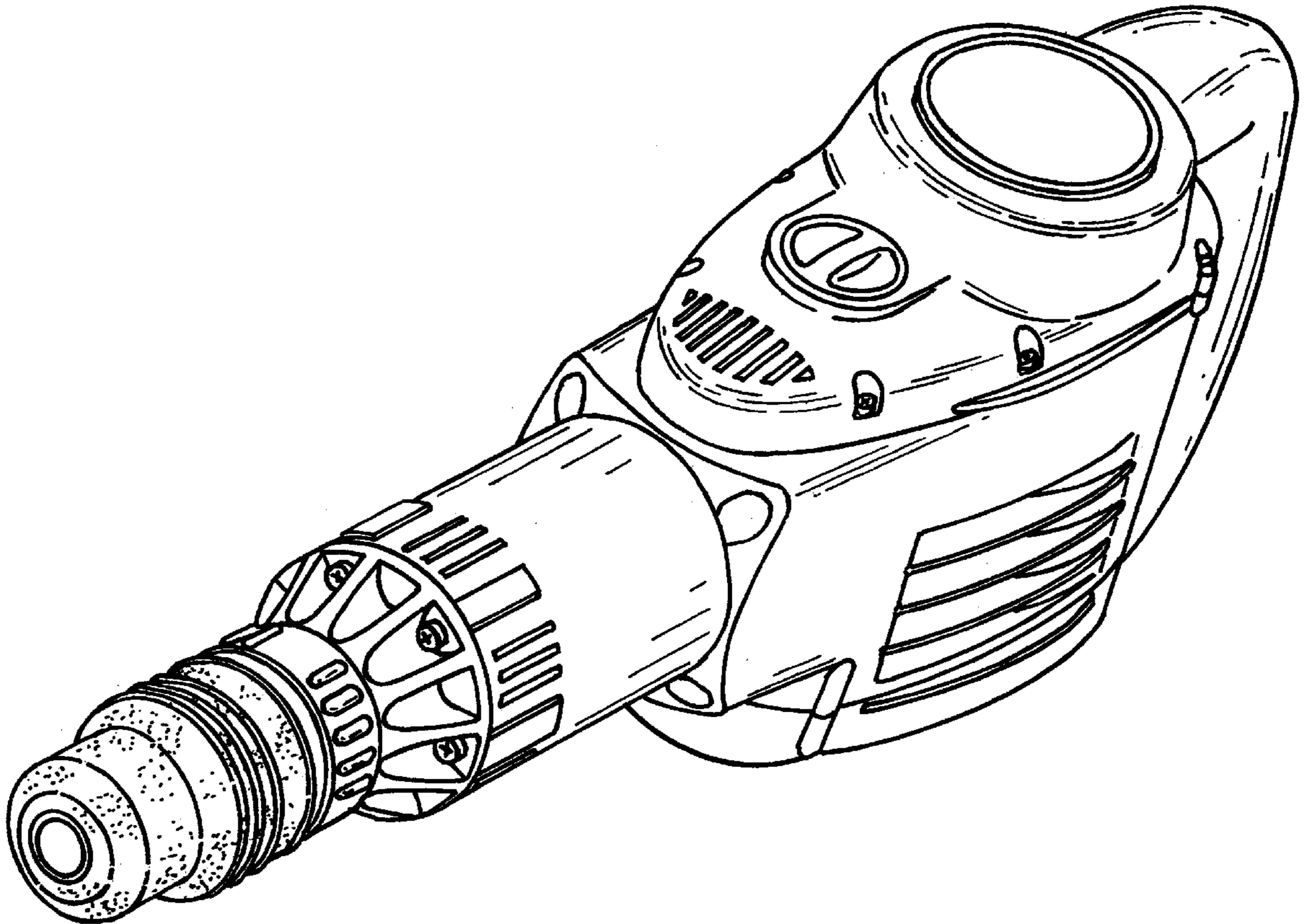
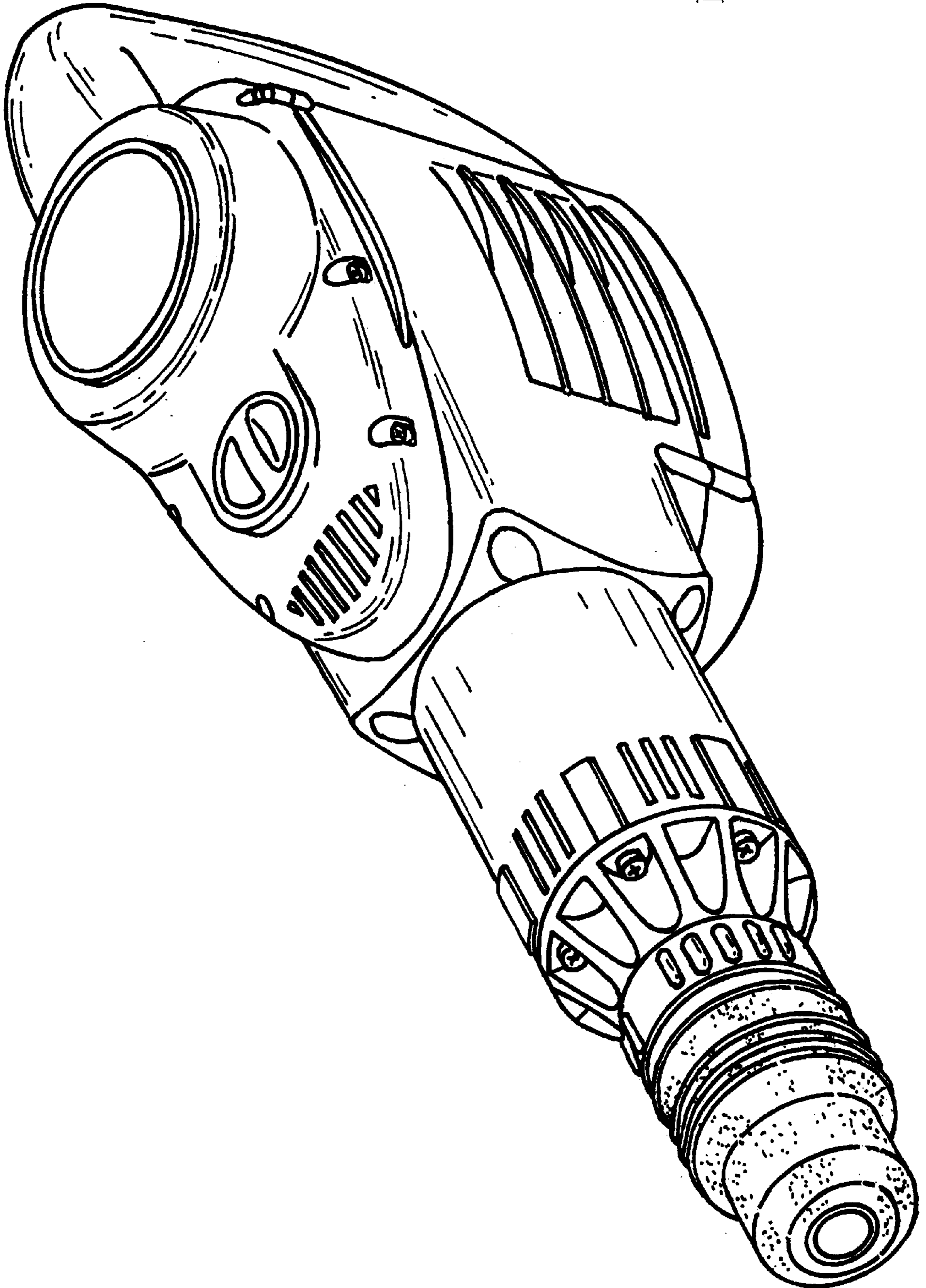


FIG. 1



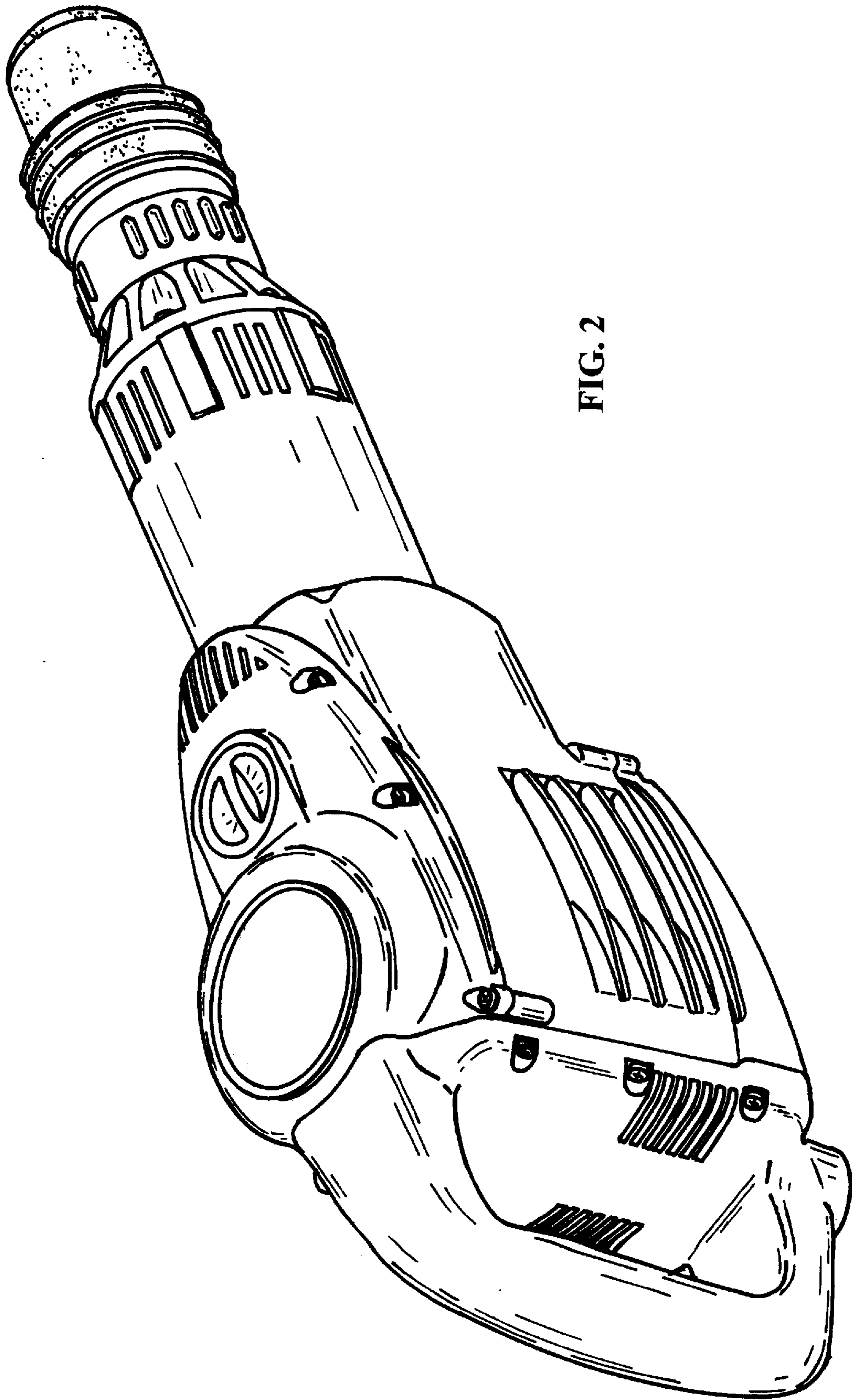


FIG. 2

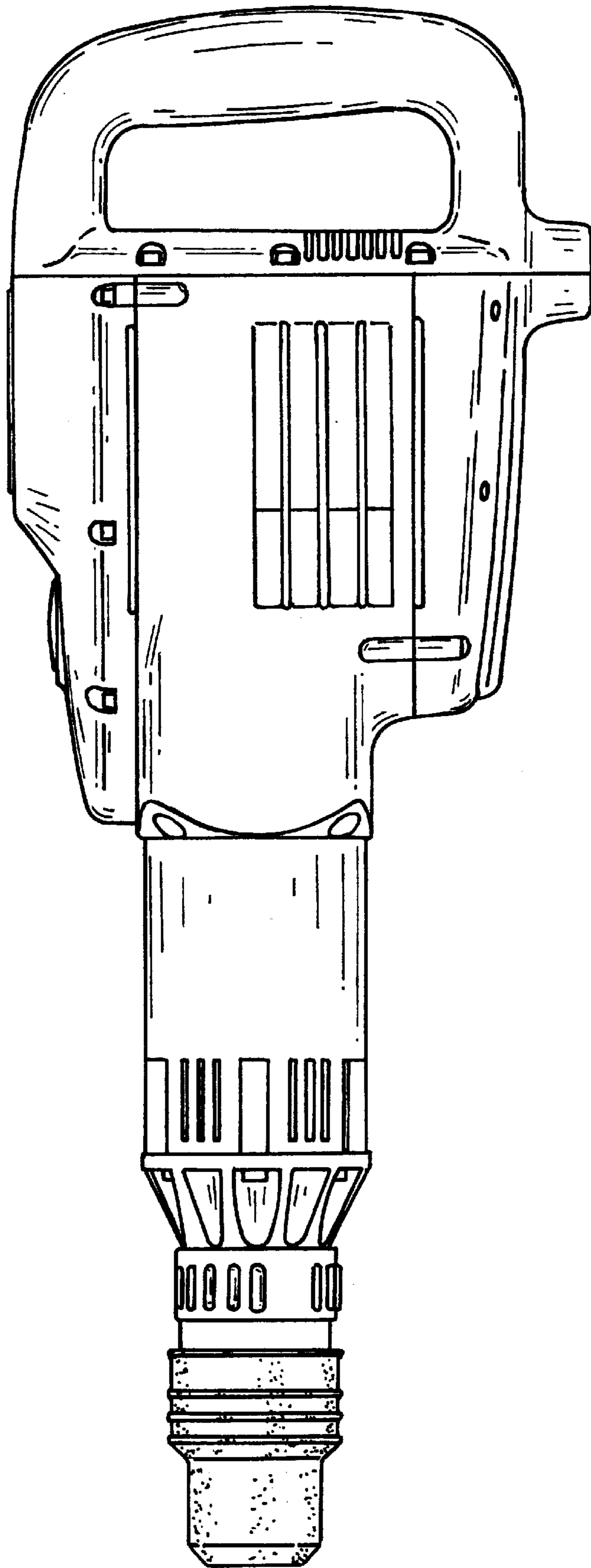


FIG. 3

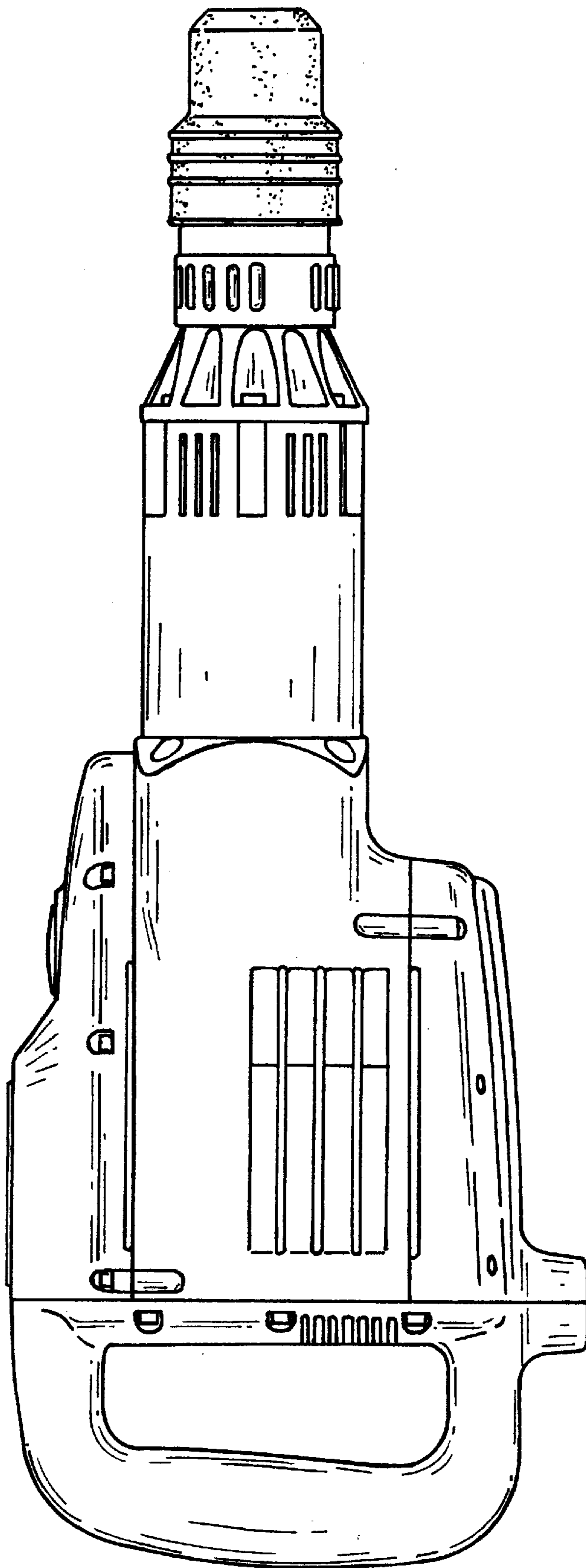


FIG. 4

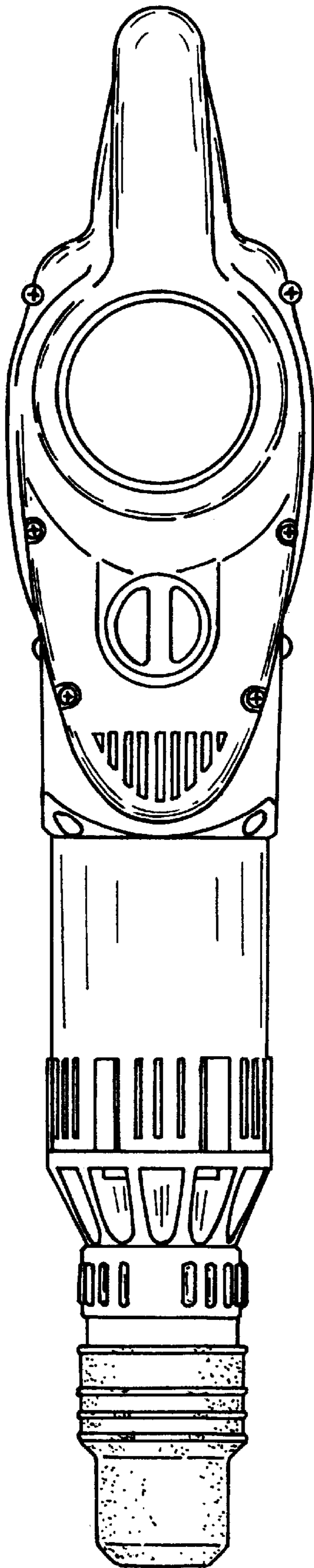


FIG. 5

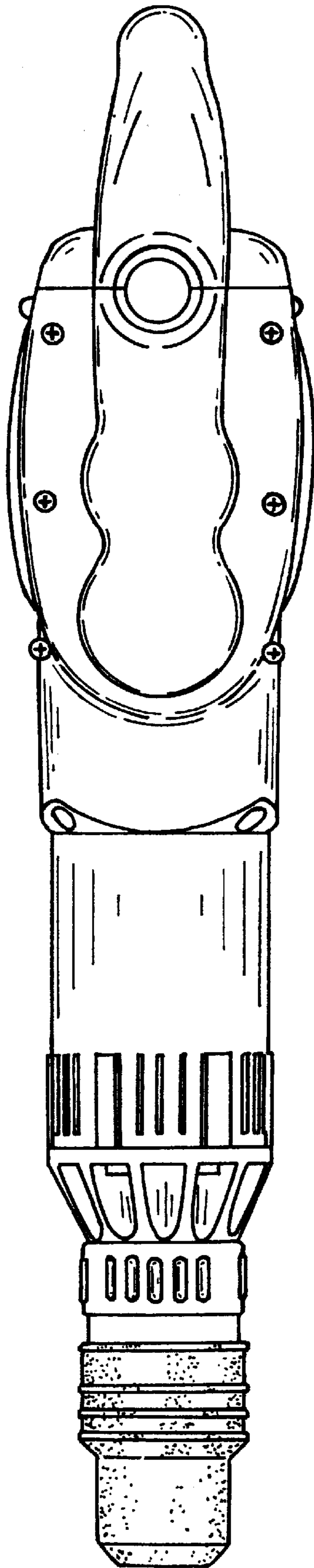


FIG. 6

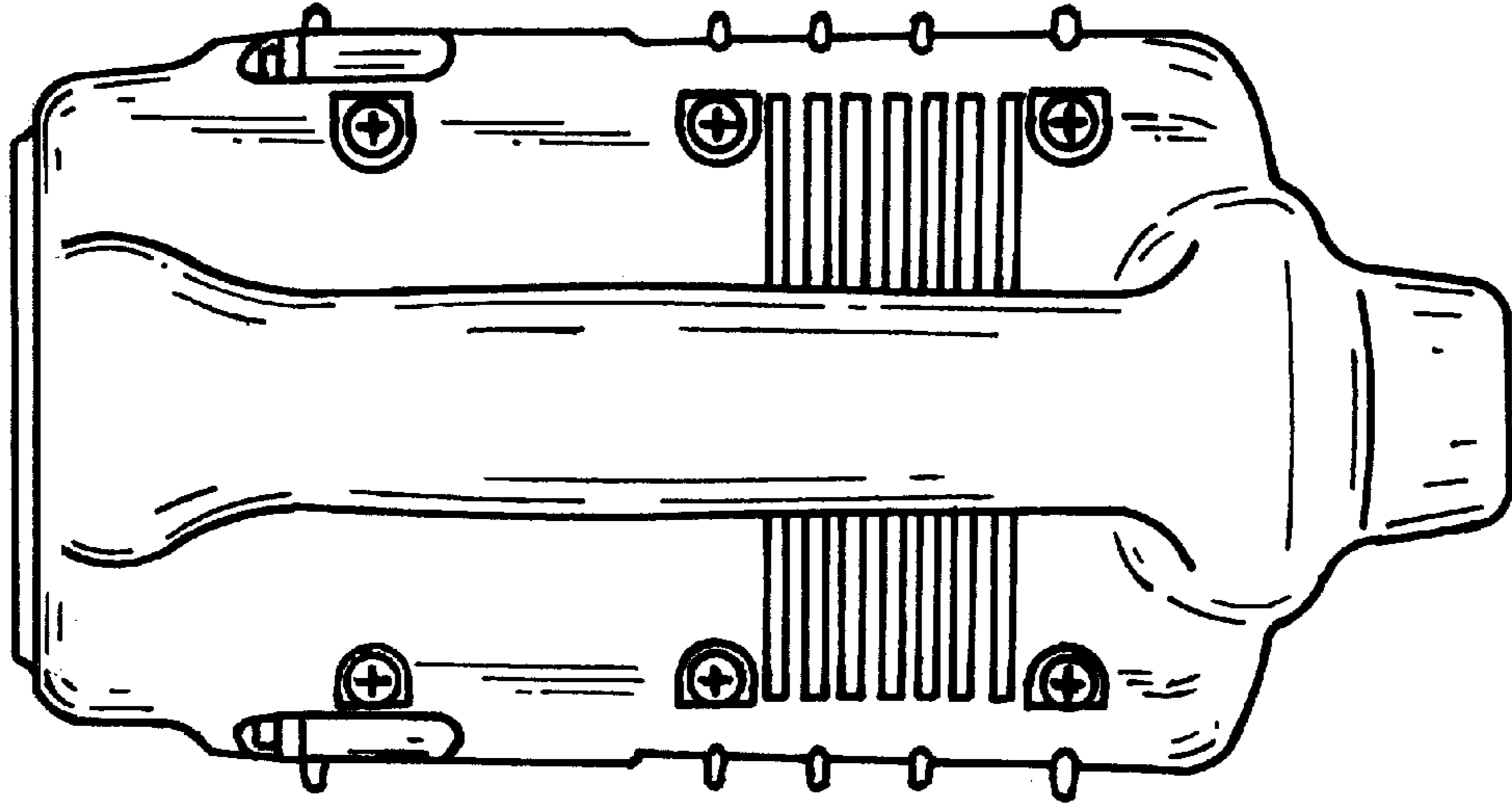


FIG. 8

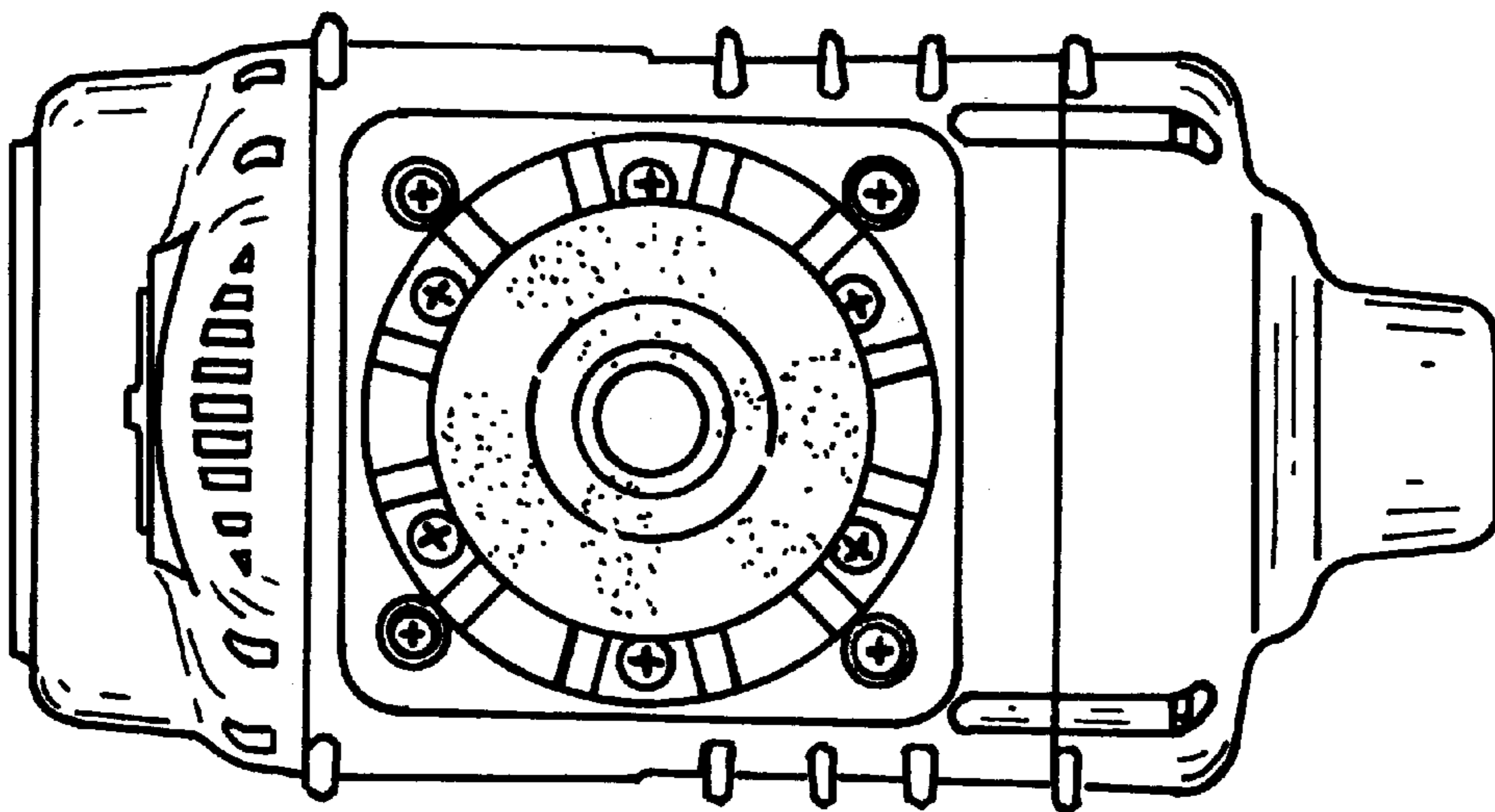


FIG. 7