



US00D447676B1

(12) **United States Design Patent**
Wilson et al.

(10) **Patent No.: US D447,676 S**

(45) **Date of Patent: ** Sep. 11, 2001**

(54) **STAPLER**

(75) **Inventors: Scott H. Wilson**, Evanston; **Scott Kouri**, Chicago; **Stephen D. Berry**, Plainfield; **Sumir Kapur**, Oak Park, all of IL (US); **Christopher J. Lundgren**, Rochester, NY (US); **Joshua Maruska**, Indianapolis, IN (US)

(73) **Assignee: ACCO Brands, Inc.**

(**) **Term: 14 Years**

(21) **Appl. No.: 29/110,853**

(22) **Filed: Sep. 15, 1999**

(51) **LOC (7) Cl. 19-02**

(52) **U.S. Cl. D8/50**

(58) **Field of Search D8/49, 50, 61; D19/65, 72; 227/127, 128, 131, 132, 134, 120**

(56) **References Cited**

U.S. PATENT DOCUMENTS

| | | | | |
|------------|-----------|-------------|-------|-------|
| D. 214,347 | 6/1969 | Power | | D8/50 |
| D. 331,178 | * 11/1992 | Bain et al. | | D8/50 |
| D. 355,822 | 2/1995 | Smith | | D8/50 |
| D. 361,025 | * 8/1995 | Ho | | D8/50 |
| D. 361,486 | 8/1995 | Yang | | D8/50 |
| D. 367,414 | 2/1996 | Chi | | D8/50 |

| | | | | |
|------------|----------|---------------|-------|---------|
| D. 369,730 | * 5/1996 | Herbst et al. | | D8/50 |
| D. 401,825 | 12/1998 | Parsey et al. | | D8/50 |
| D. 420,266 | * 2/2000 | Berry et al. | | D8/50 |
| D. 424,898 | * 5/2000 | Wilson et al. | | D8/50 |
| 4,925,082 | 5/1990 | Kim | | 227/120 |
| 5,509,595 | * 4/1996 | Ho | | 227/134 |

FOREIGN PATENT DOCUMENTS

| | | | | |
|---------|--------|------|-------|---------|
| 2229129 | 9/1990 | (GB) | | 227/134 |
|---------|--------|------|-------|---------|

* cited by examiner

Primary Examiner—Adir Aronovich

(74) *Attorney, Agent, or Firm*—Pennie & Edmonds LLP

(57) **CLAIM**

The ornamental design for a stapler, as shown and described.

DESCRIPTION

FIG. 1 is a top right perspective view of a stapler showing our new design;

FIG. 2 is a right view thereof;

FIG. 3 is a left view thereof;

FIG. 4 is a top view thereof;

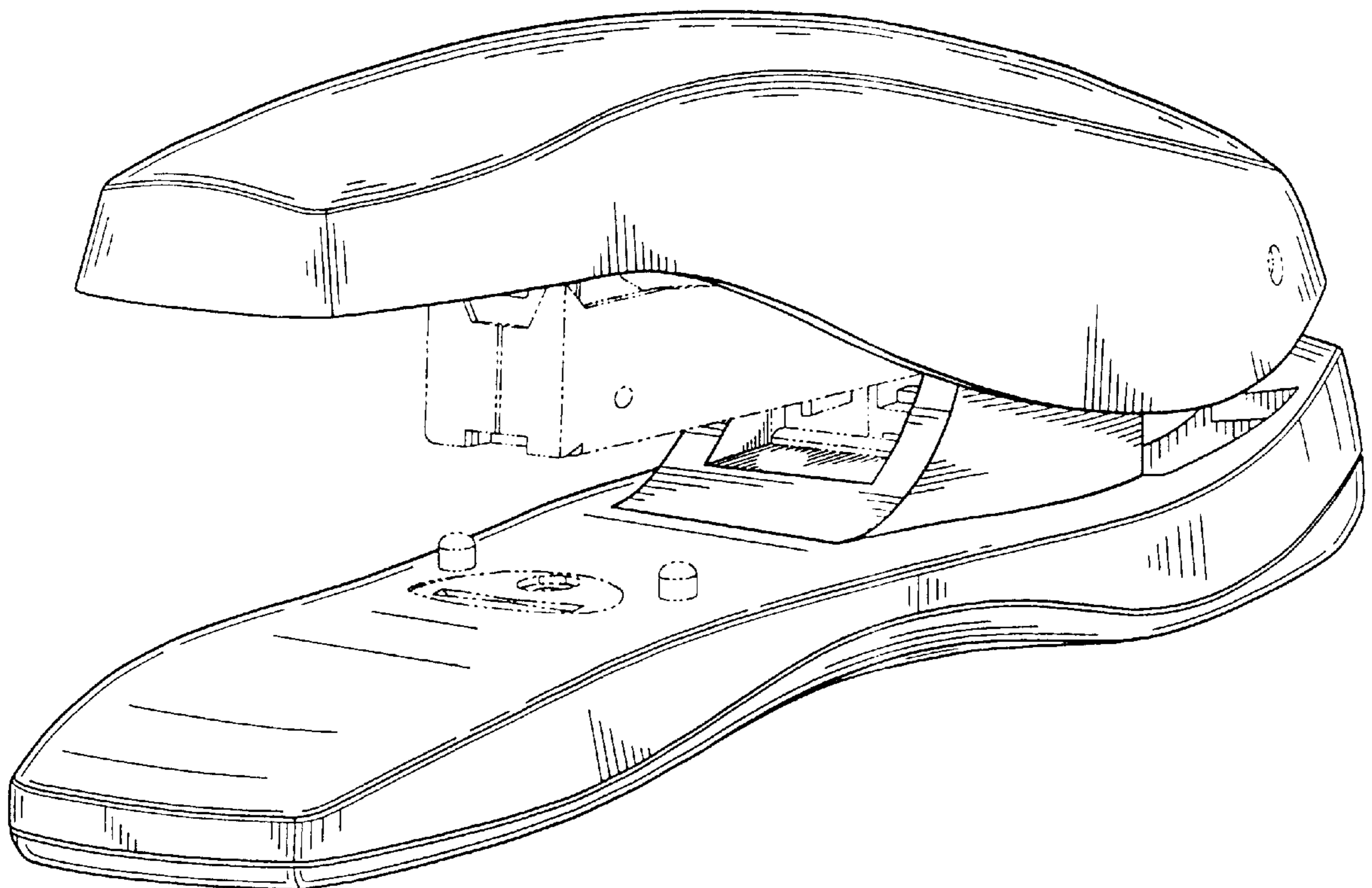
FIG. 5 is a bottom view thereof;

FIG. 6 is a front view thereof; and,

FIG. 7 is a back view thereof.

The portions shown in phantom lines are not part of the claimed invention, but are included to show environment.

1 Claim, 4 Drawing Sheets



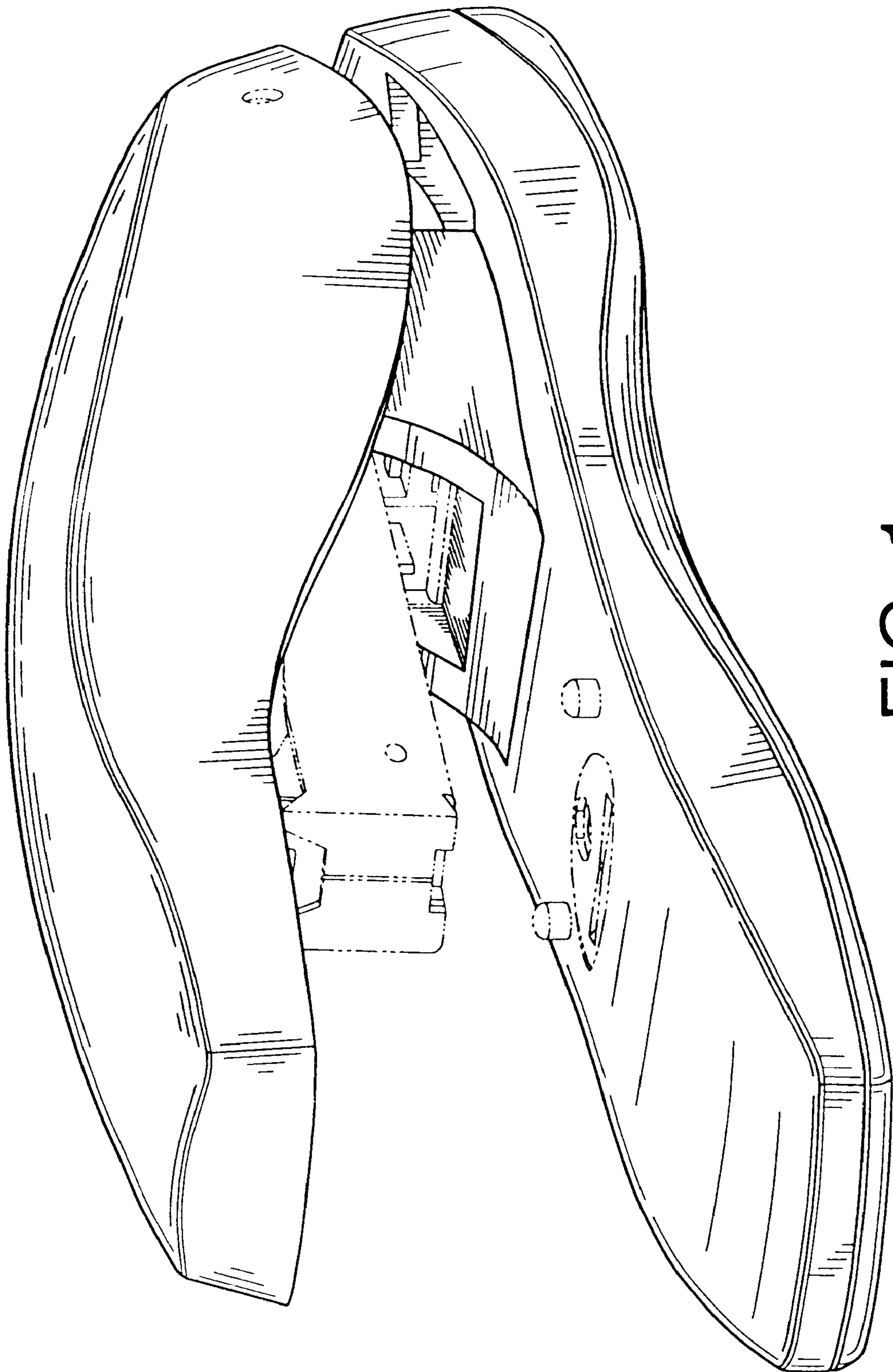


FIG. 1

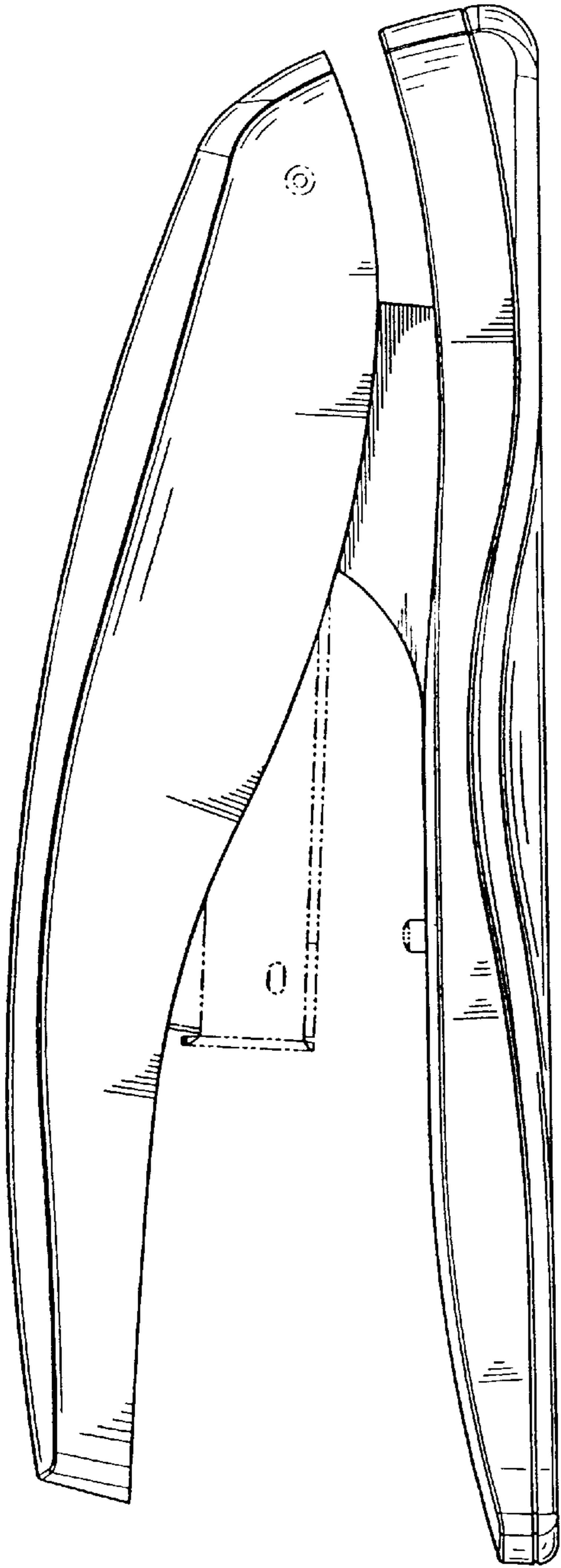


FIG. 2

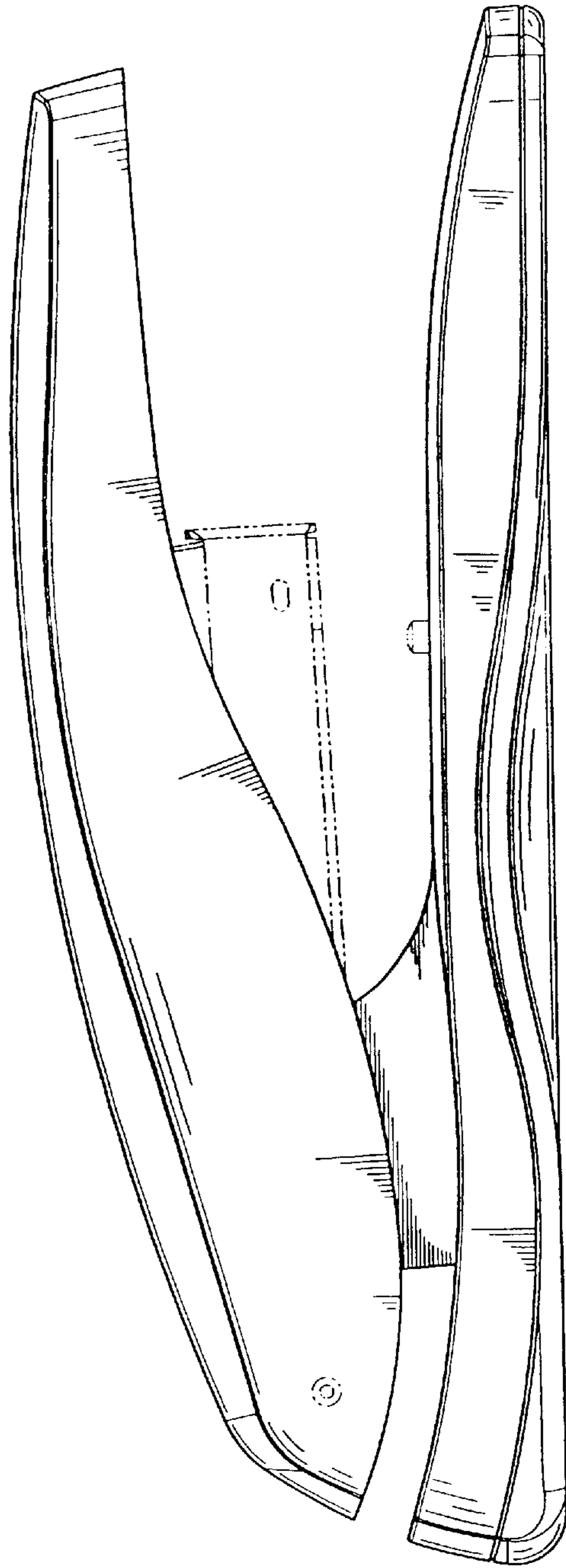


FIG. 3

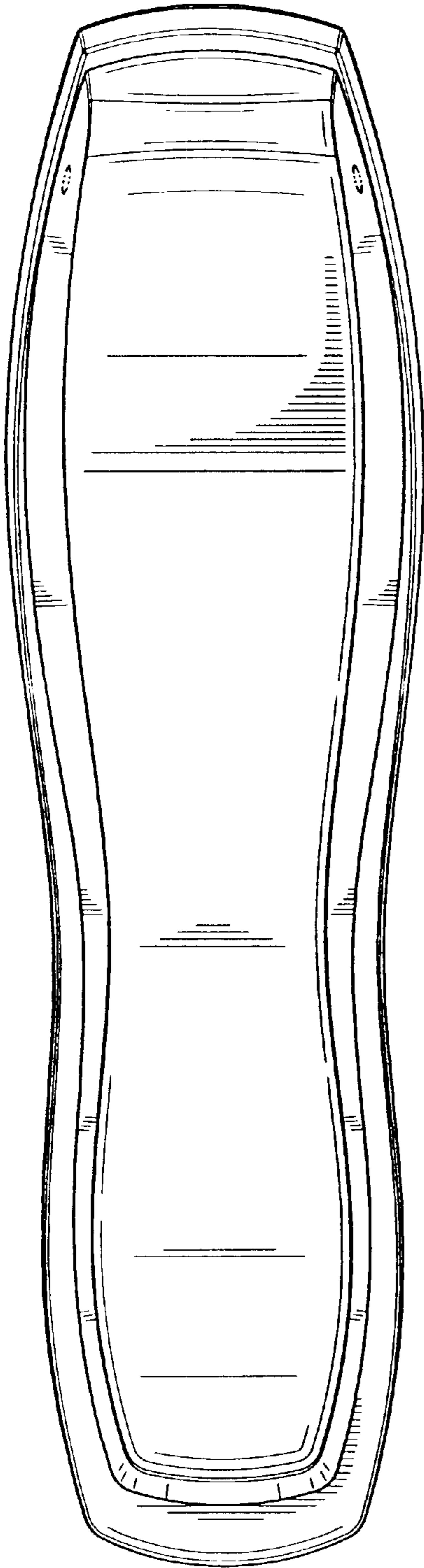


FIG. 4

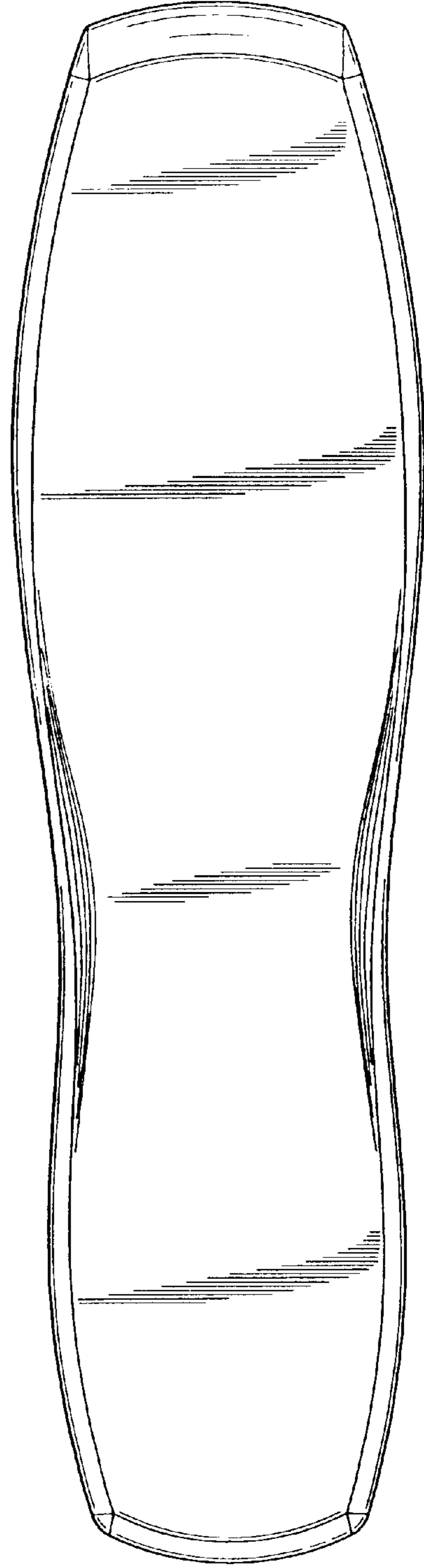


FIG. 5

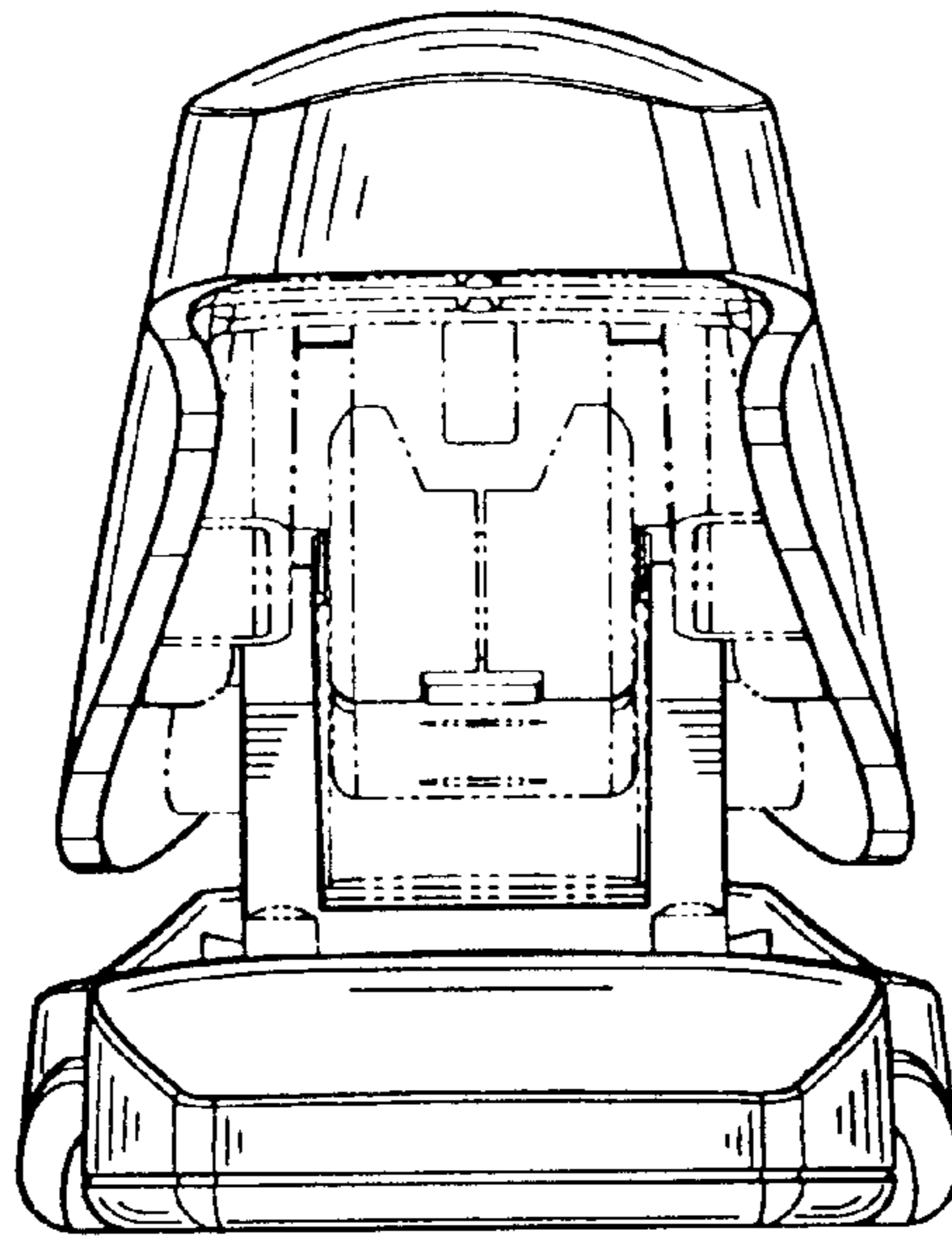


FIG. 6

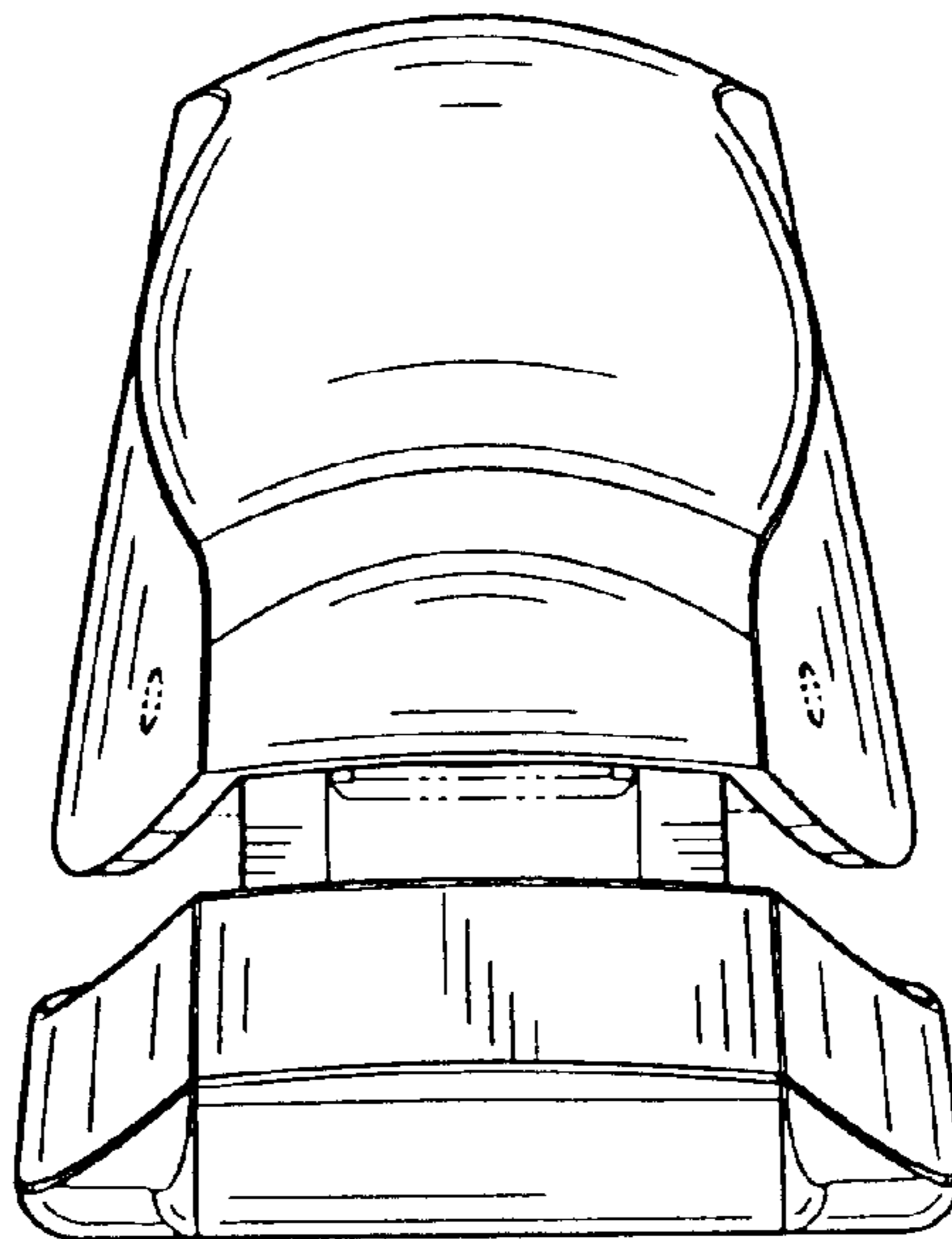


FIG. 7