



US00D447674B1

(12) **United States Design Patent**
Andersson

(10) **Patent No.:** **US D447,674 S**

(45) **Date of Patent:** **** Sep. 11, 2001**

(54) **RAKE**

(75) Inventor: **Hans Andersson**, Anderstorp (SE)

(73) Assignee: **Plastinject AB** (SE)

(**) Term: **14 Years**

(21) Appl. No.: **29/131,399**

(22) Filed: **Oct. 20, 2000**

(51) **LOC (7) Cl.** **08-01**

(52) **U.S. Cl.** **D8/1**

(58) **Field of Search** D8/1, 9, 12; 56/400.01,
56/400.03, 400.04

(56) **References Cited**

U.S. PATENT DOCUMENTS

4,414,797 * 11/1983 Archer 56/400.01

OTHER PUBLICATIONS

Green River Tools; item Stirrup Hoe; p. 10, Oct. 1985.*

* cited by examiner

Primary Examiner—Robin V. Taylor

(74) *Attorney, Agent, or Firm*—Cantor Colburn LLP

(57) **CLAIM**

The ornamental design of a rake, as shown and described.

DESCRIPTION

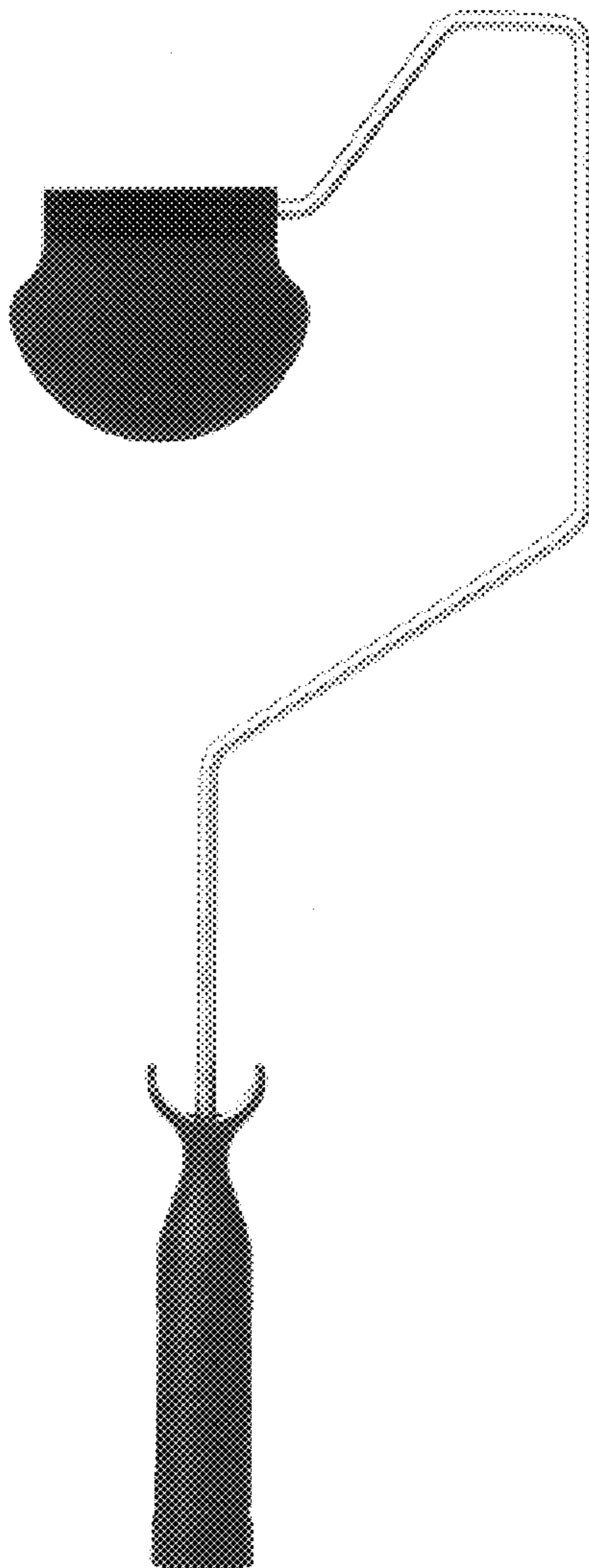
FIG. 1 is a perspective view of a rake showing our new design;

FIG. 2 is a left side elevational view thereof, the right side being a mirror image;

FIG. 3 is a bottom plan view thereof; and,

FIG. 4 is a top plan view thereof.

1 Claim, 4 Drawing Sheets



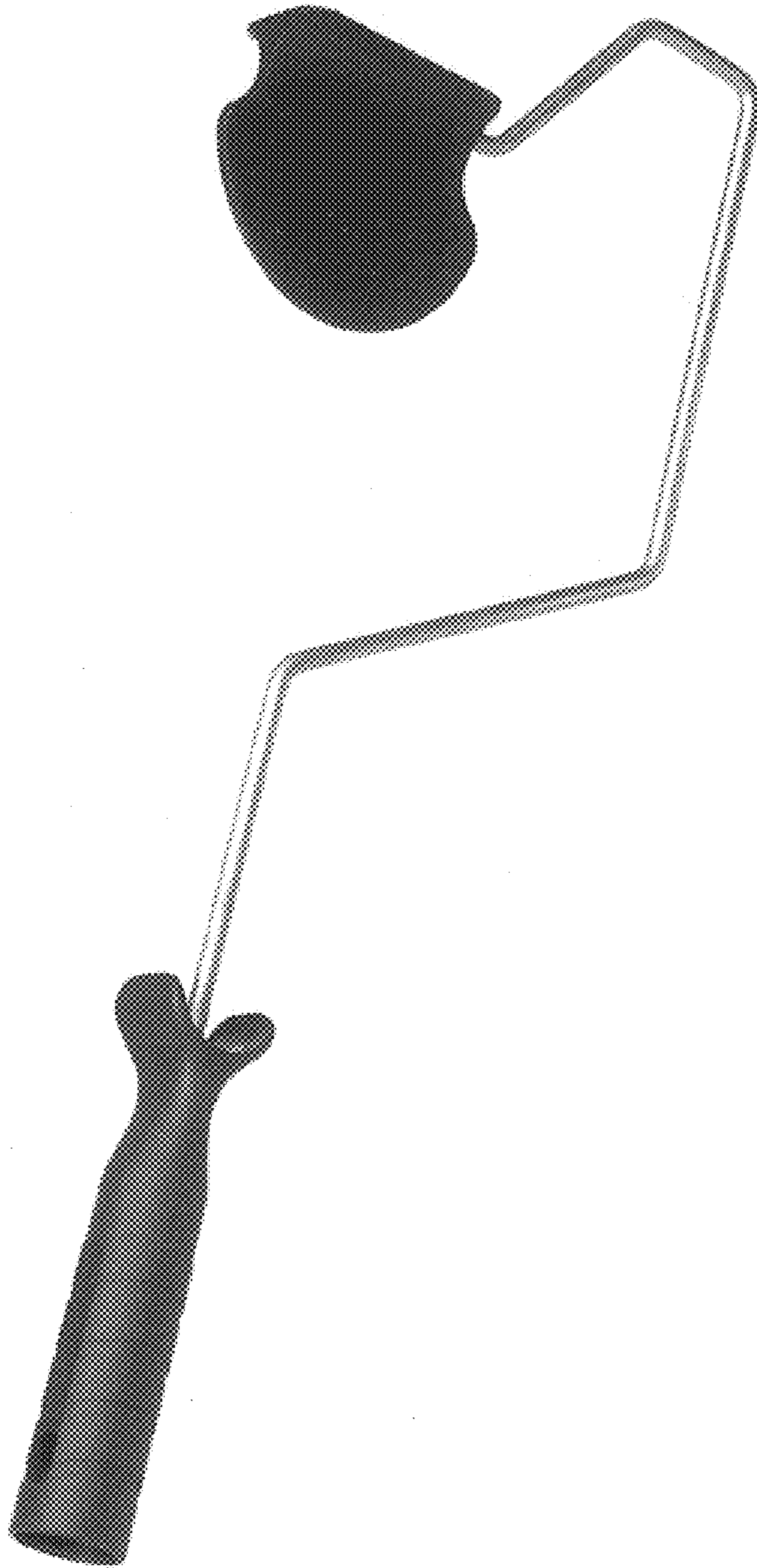


FIGURE 1

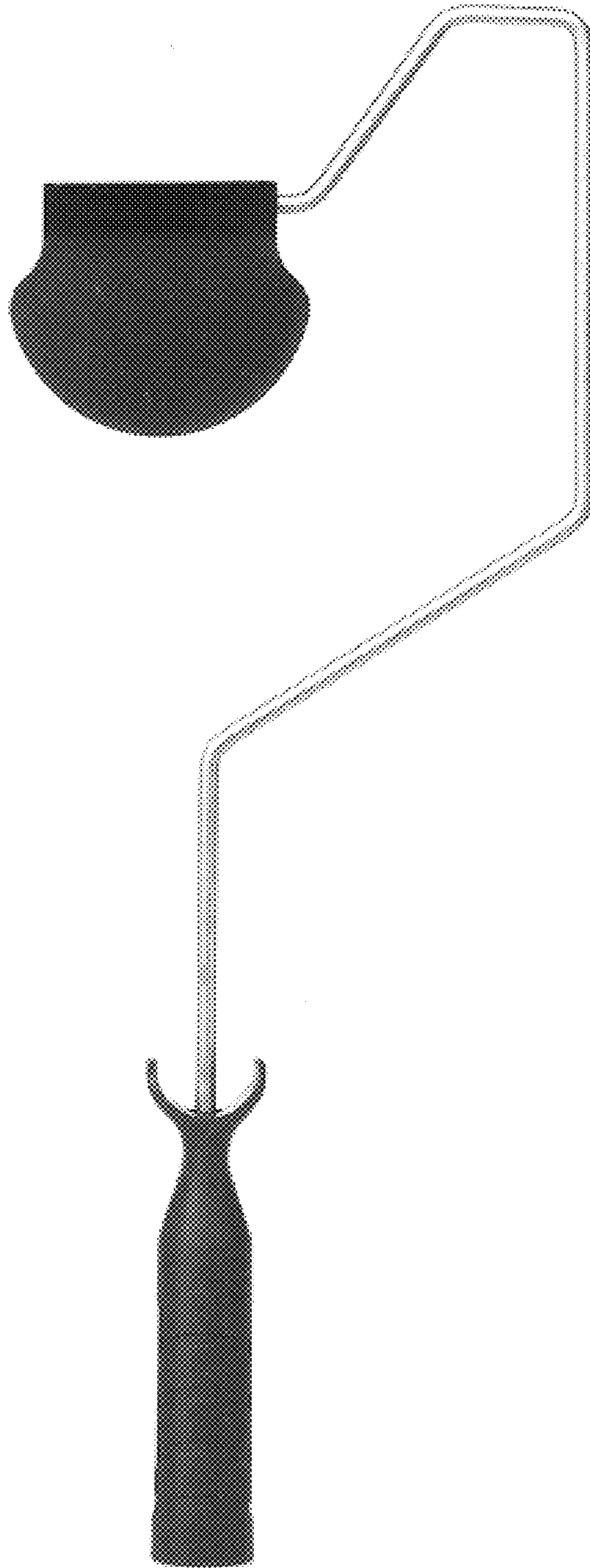


FIGURE 2

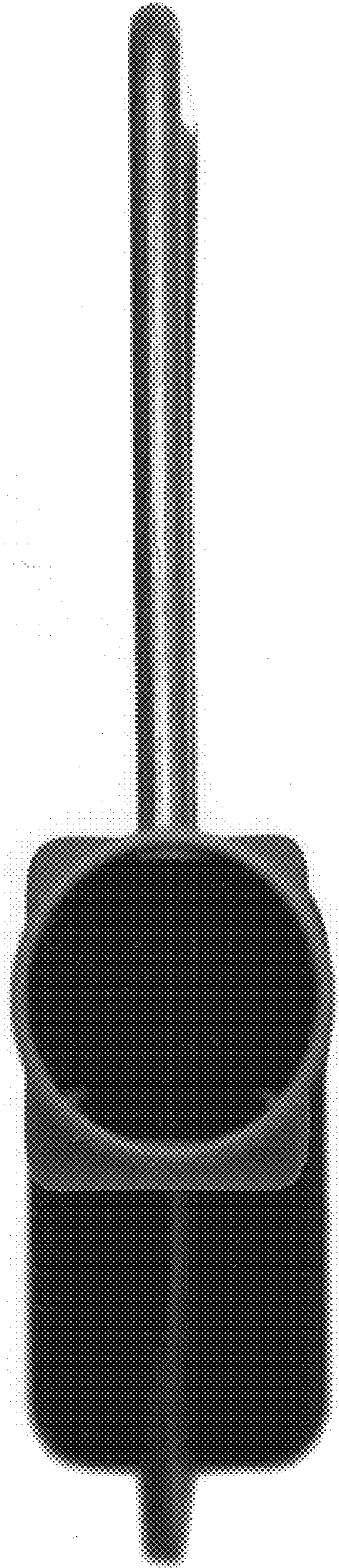


FIGURE 3

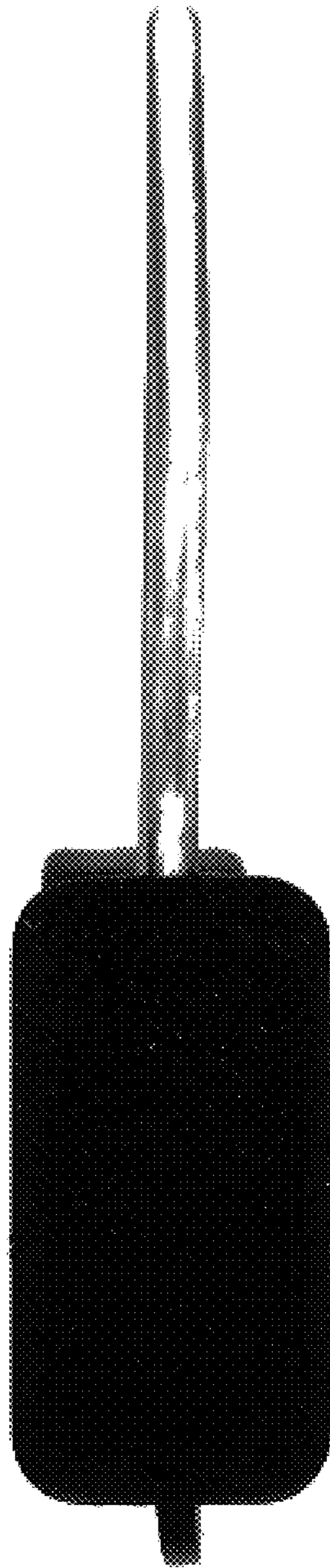


FIGURE 4