



US00D447673B1

(12) **United States Design Patent**  
**Vandenham**

(10) **Patent No.:** **US D447,673 S**

(45) **Date of Patent:** **\*\* Sep. 11, 2001**

(54) **HOLE BORING APPARATUS**

(76) **Inventor:** **John Vandenham**, Maffra Road,  
Traralgon, Victoria 3844 (AU)

(\*\*) **Term:** **14 Years**

(21) **Appl. No.:** **29/130,075**

(22) **Filed:** **Sep. 27, 2000**

(30) **Foreign Application Priority Data**

Mar. 27, 2000 (AU) ..... 940/00

(51) **LOC (7) Cl.** ..... **08-01**

(52) **U.S. Cl.** ..... **D8/1; D8/7**

(58) **Field of Search** ..... D8/1, 4, 7, 8,  
D8/9; 294/24; 172/21, 22, 371, 376; 30/314

(56) **References Cited**

**U.S. PATENT DOCUMENTS**

D. 302,512 \* 8/1989 Slayton ..... D8/7

D. 309,242 \* 7/1990 Laslo ..... D8/6  
D. 405,328 \* 2/1999 Bott ..... D8/1  
D. 423,889 \* 5/2000 Heffner ..... D8/1  
5,109,930 \* 5/1992 Napier ..... 172/371

\* cited by examiner

*Primary Examiner*—Robin V. Taylor

(74) *Attorney, Agent, or Firm*—Dennison, Scheiner,  
Schultz & Wakeman

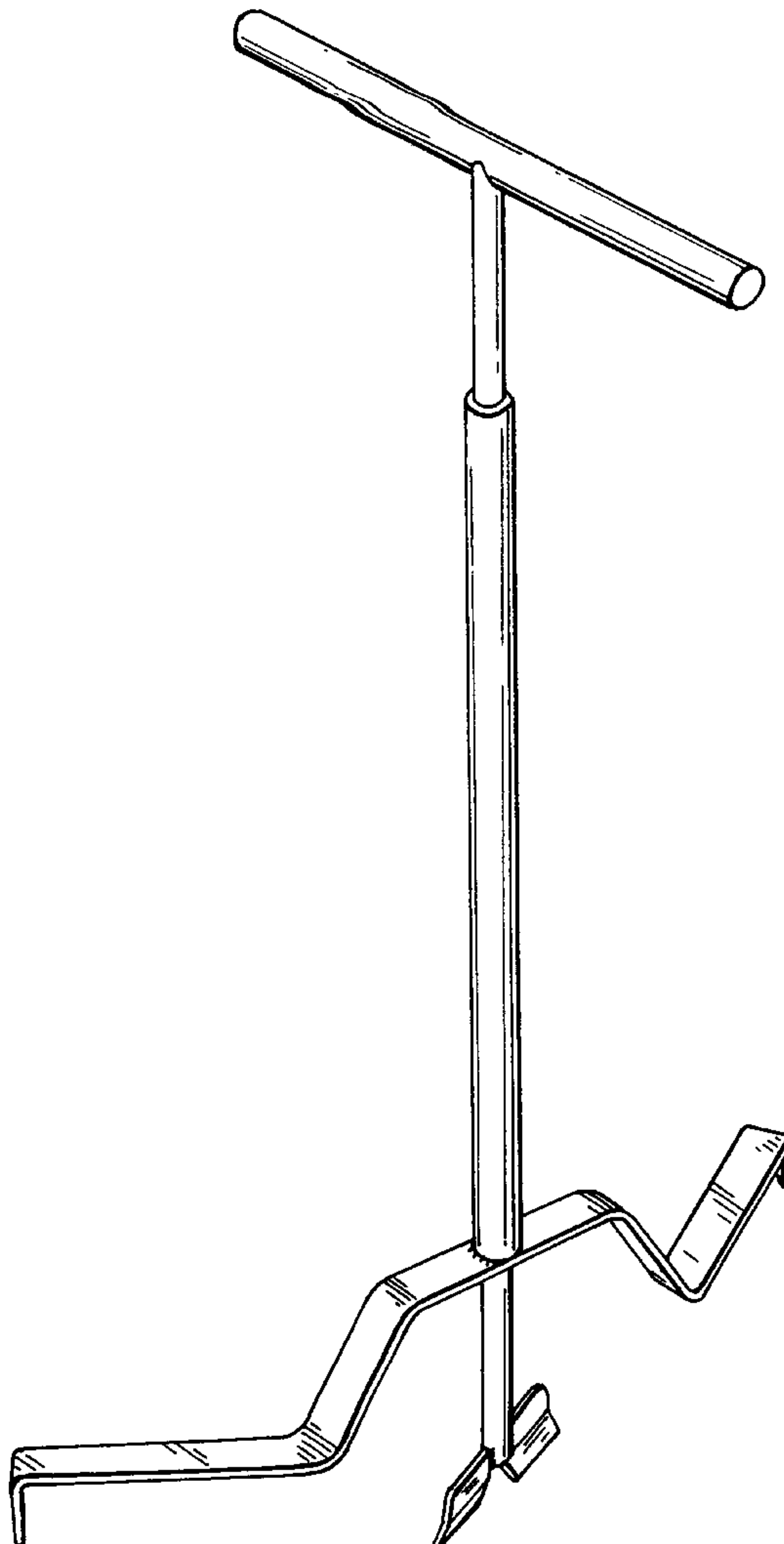
(57) **CLAIM**

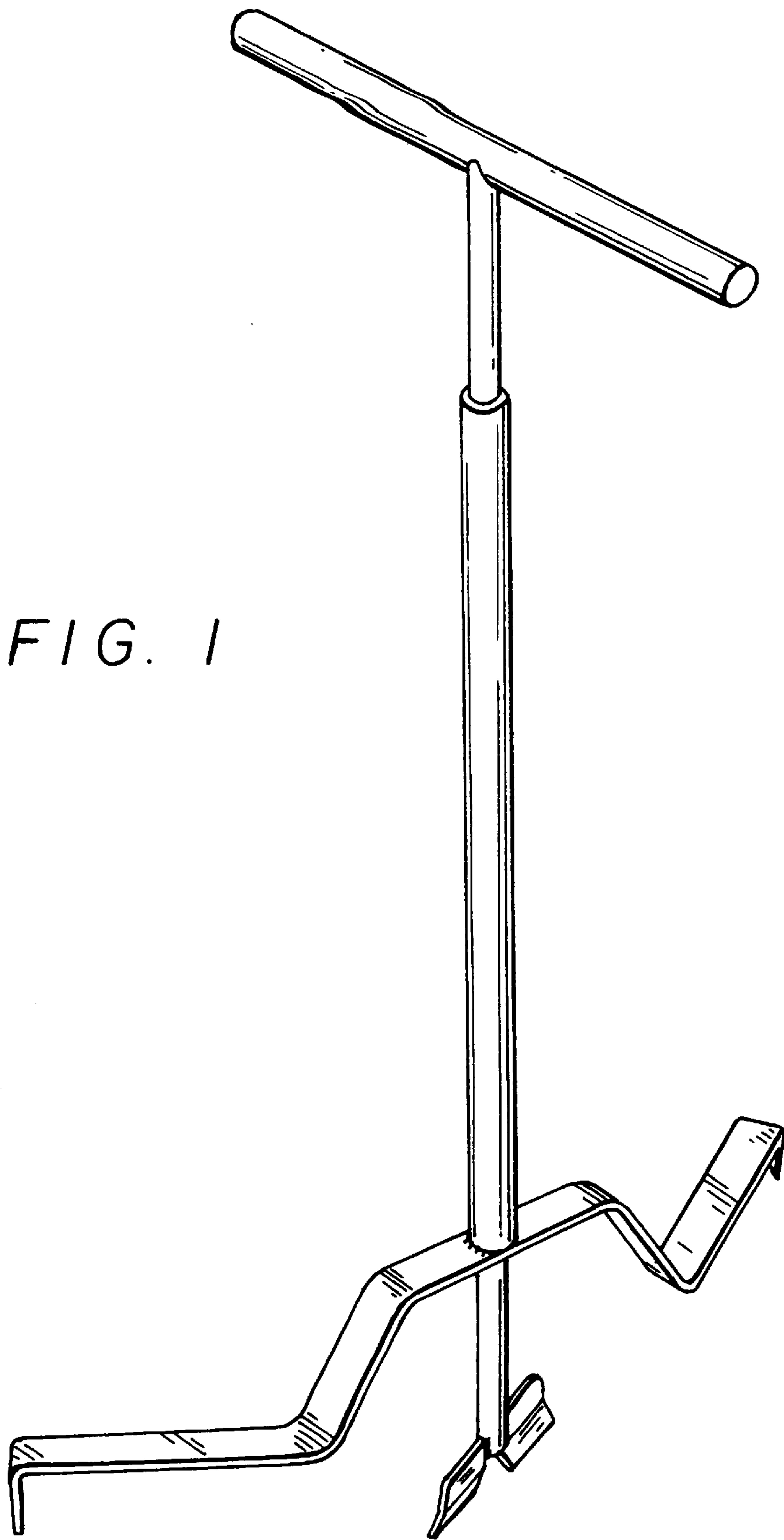
The ornamental design for hole boring apparatus, as shown  
and described.

**DESCRIPTION**

FIG. 1 is a perspective view of the hole boring apparatus  
FIG. 2 is a front view of the hole boring apparatus  
FIG. 3 is an end view of the hole boring apparatus; and,  
FIG. 4 is a top view of the hole boring apparatus.

**1 Claim, 2 Drawing Sheets**





*FIG. 1*

