



US00D447669B1

(12) **United States Design Patent**
Tzeng Wu

(10) **Patent No.:** **US D447,669 S**

(45) **Date of Patent:** **** Sep. 11, 2001**

(54) **CONTAINER**

(76) Inventor: **Bih-Lian Tzeng Wu**, 6F, No. 440-2,
Gin Pin Road, Chong Ho City, Taipei
Hsien (TW), 235

(**) Term: **14 Years**

(21) Appl. No.: **29/134,825**

(22) Filed: **Dec. 27, 2000**

(51) **LOC (7) Cl.** **07-01**

(52) **U.S. Cl.** **D7/615; D7/629**

(58) **Field of Search** D7/612-615, 602,
D7/629; D9/516, 551, 559, 560; 220/314,
315, 321, 324, 845; 292/256, 256.5, 285,
286

(56) **References Cited**

U.S. PATENT DOCUMENTS

D. 74,894	*	4/1928	Onthank	D9/529
D. 359,201	*	6/1995	Hung	D7/612
D. 376,958	*	12/1996	Blanc	D7/612
D. 379,573	*	6/1997	Lin	D7/612
D. 381,872	*	8/1997	Lin	D7/612

OTHER PUBLICATIONS

Colonial Garden Kitchens, May 1997, p. 53, Canister Set (E).*

HFD May 1992, p. 52, Storage Jars.*

GDA, Apr. 1982, p. 100, Storage Jars.*

Better Homes and Gardens, Jul. 1972, p. 69, Canister Set.*

* cited by examiner

Primary Examiner—Terry A. Wallace

(57) **CLAIM**

The ornamental design for a container, as shown and described.

DESCRIPTION

FIG. 1 is a perspective view of a container showing my new design;

FIG. 2 is a front elevational view thereof;

FIG. 3 is a rear elevational view thereof;

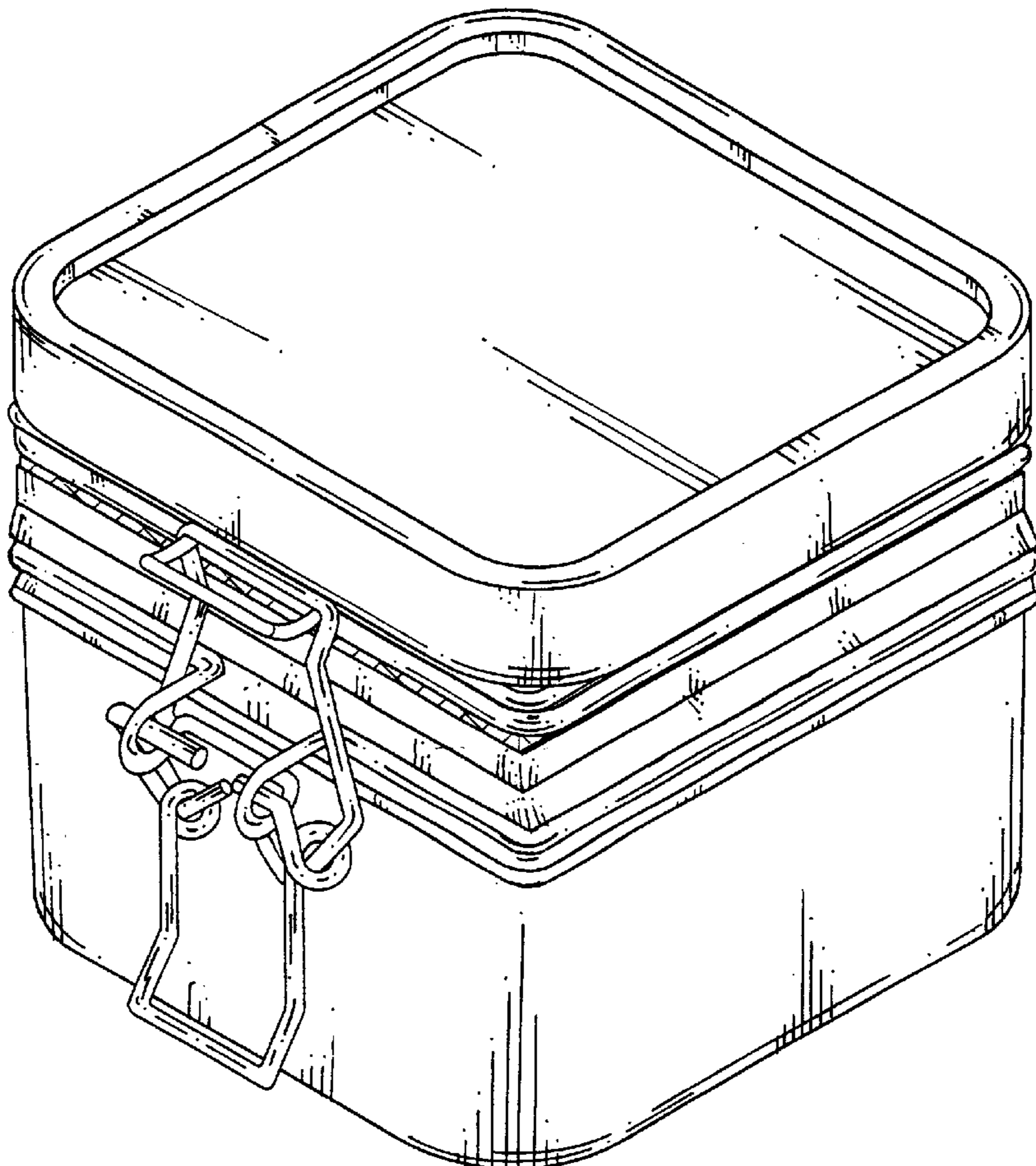
FIG. 4 is a top plan view thereof;

FIG. 5 is a bottom plan view thereof;

FIG. 6 is a left side elevational view thereof; and,

FIG. 7 is a right side elevational view thereof.

1 Claim, 4 Drawing Sheets



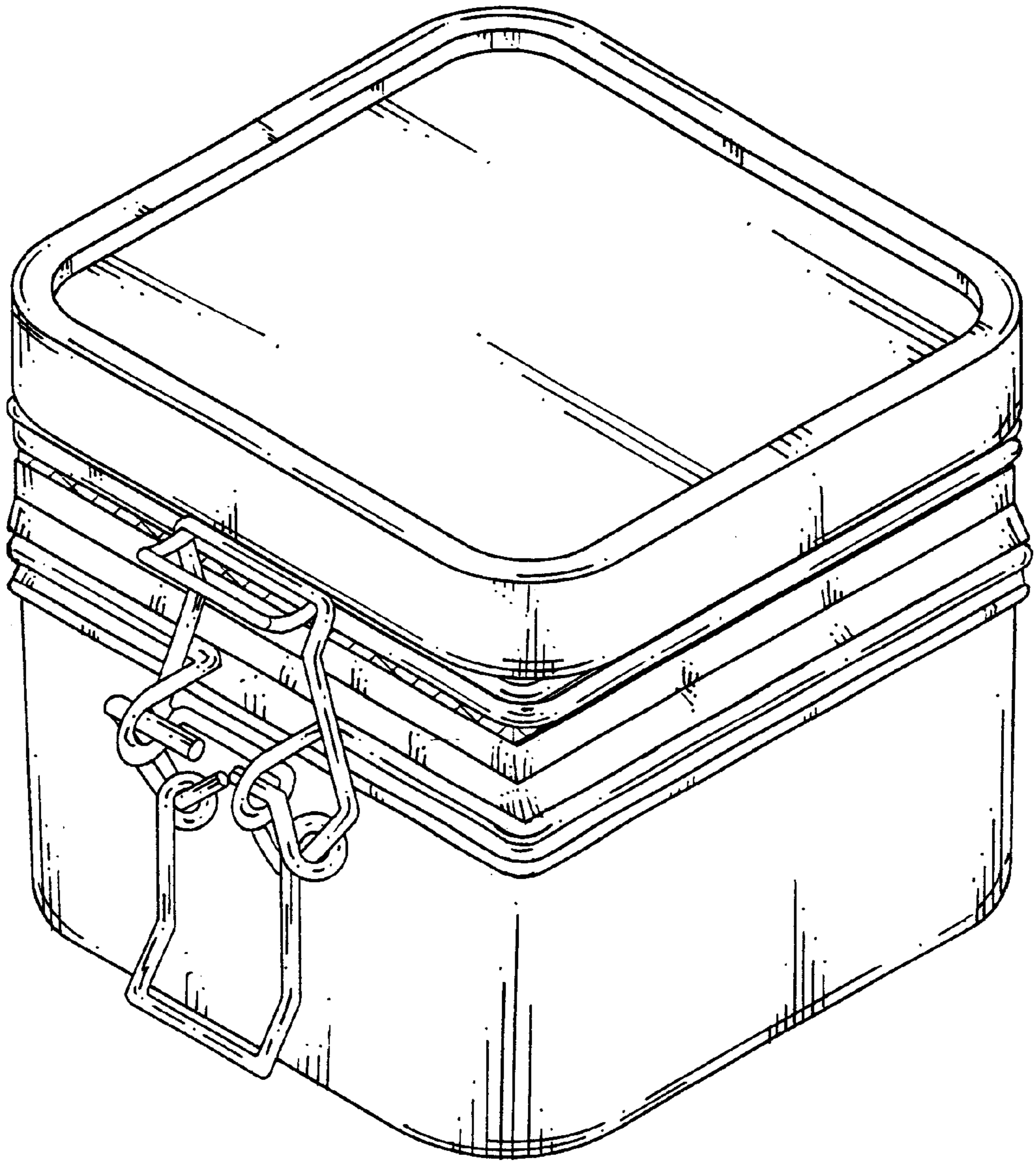


FIG. 1

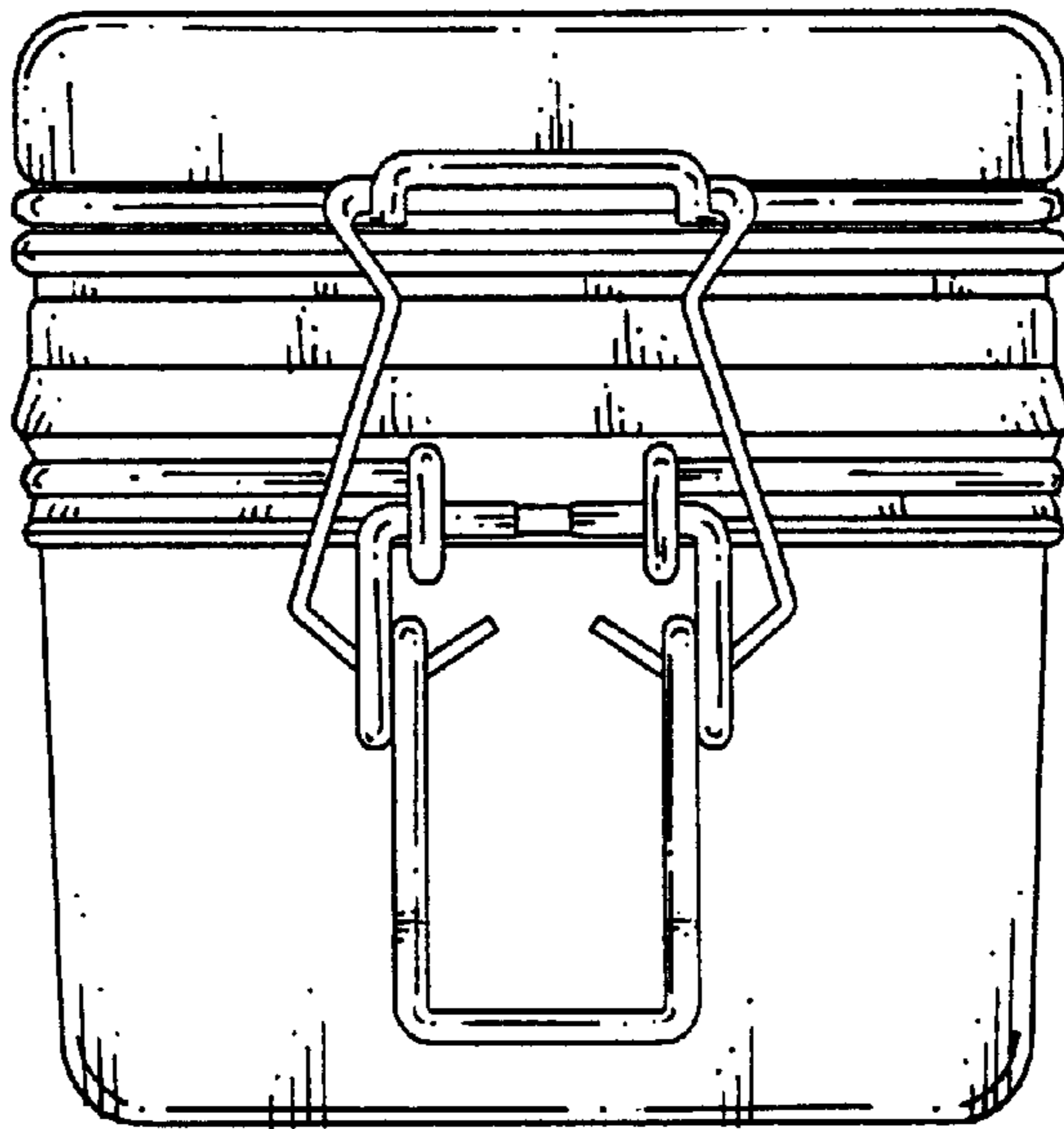


FIG. 2

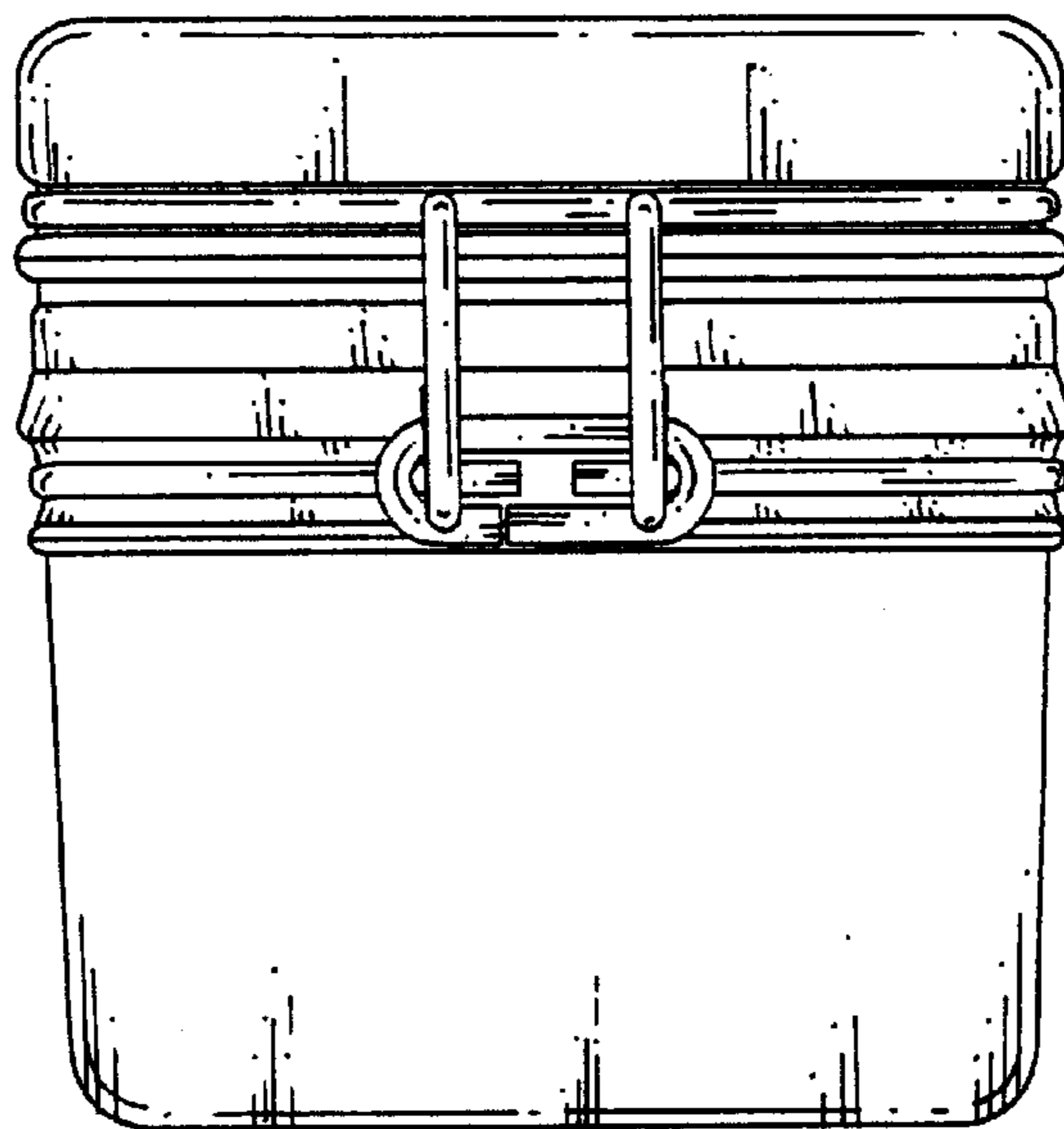


FIG. 3

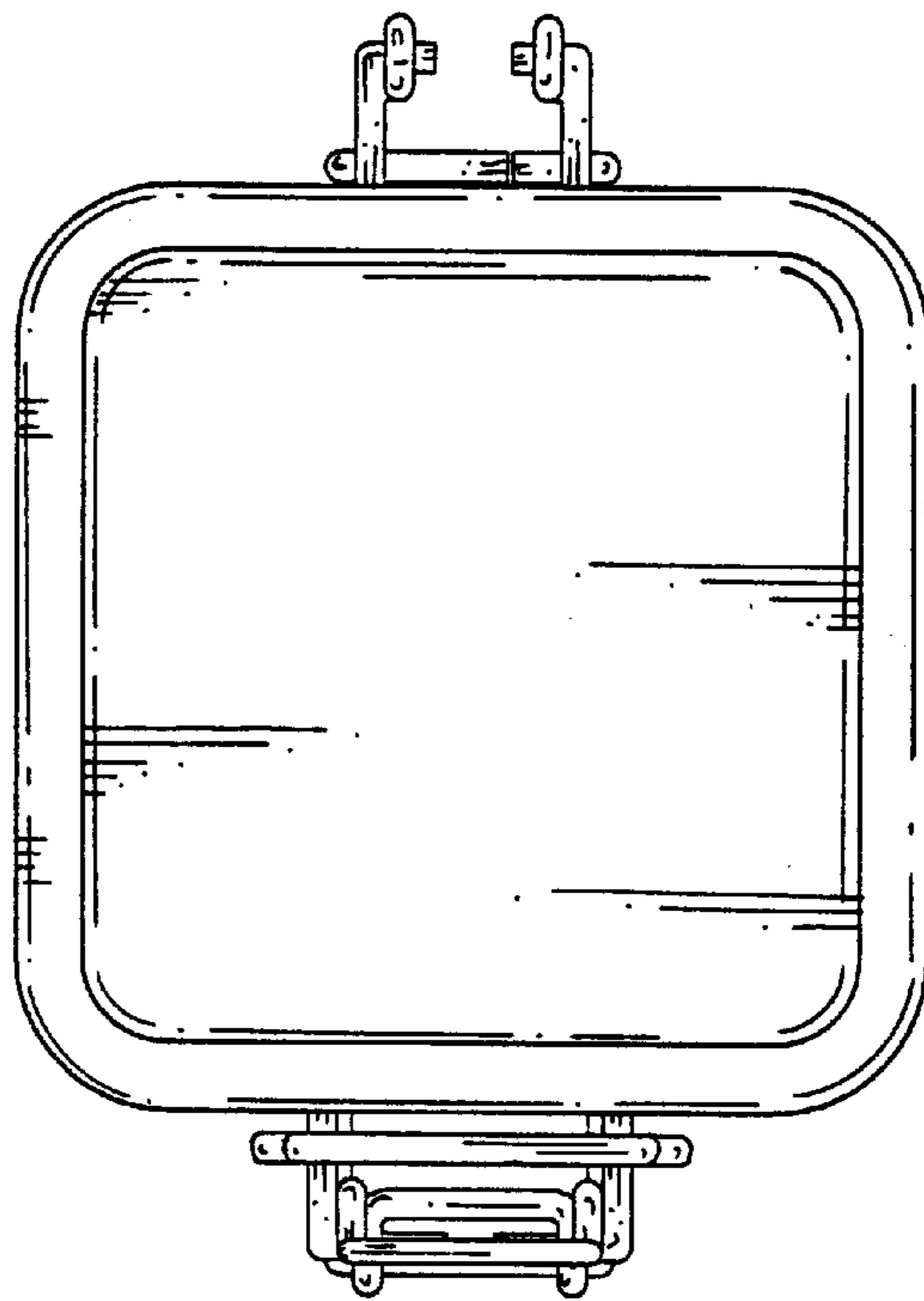


FIG. 4

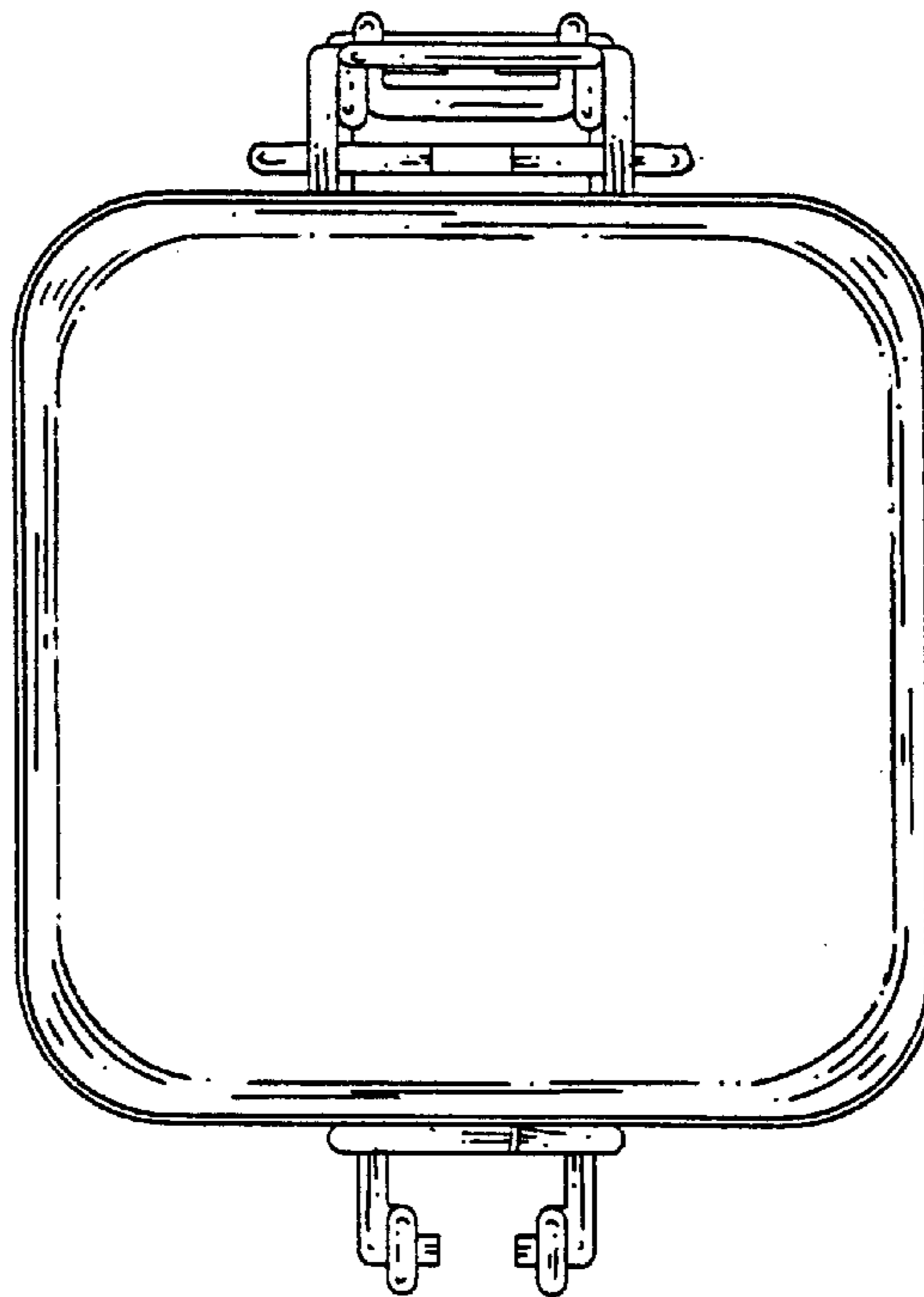


FIG. 5

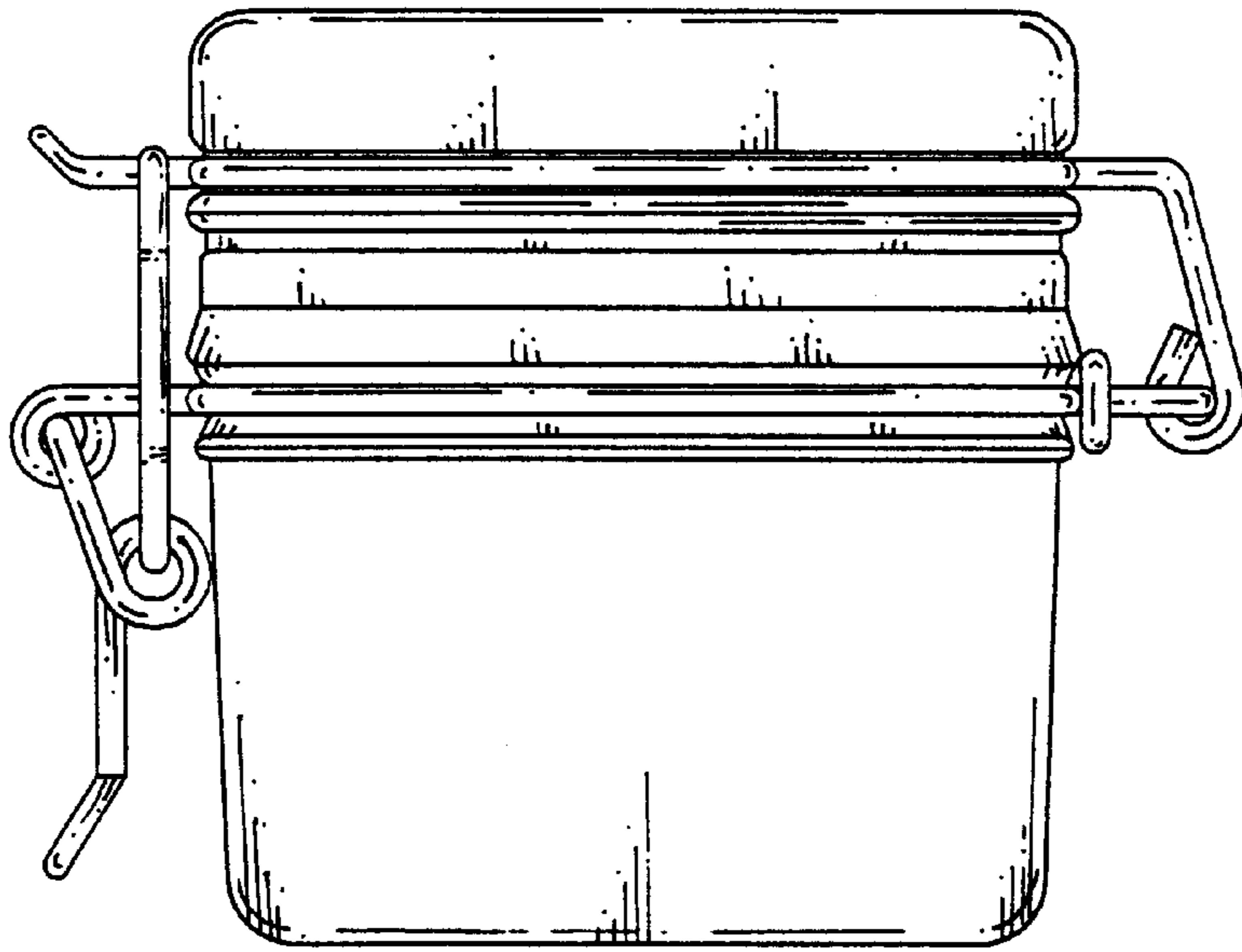


FIG. 7

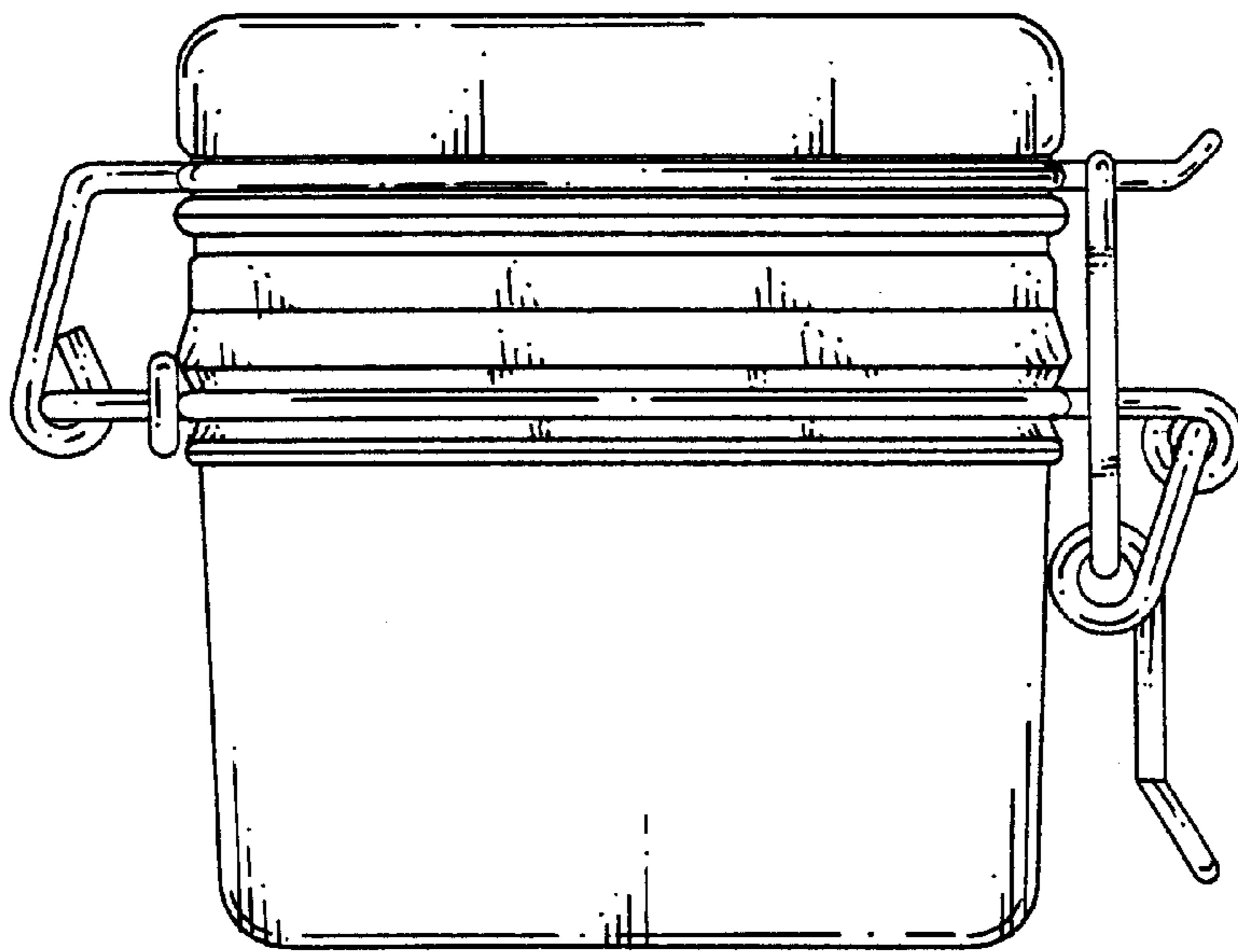


FIG. 6