



US00D447664B1

(12) **United States Design Patent**  
**Stephens et al.**

(10) **Patent No.:** **US D447,664 S**

(45) **Date of Patent:** **\*\* Sep. 11, 2001**

(54) **COMBINED STOVE AND GRILL**  
  
(75) Inventors: **Brian Stephens; Cathal Loughnane,**  
both of Dublin; **Peter Sheehan,**  
Wicklow; **Owen Kirby; Diarmuid**  
**MacMahon,** both of Dublin, all of (IE)  
  
(73) Assignee: **Application Des Gaz, Laval (FR)**  
  
(\*\*) Term: **14 Years**

D. 293,191	12/1987	Stephen et al. .	
D. 416,750	* 11/1999	Persson .....	D7/337
4,082,993	* 4/1978	Oakes .....	137/322
4,498,452	2/1985	Schlosser et al. .	
4,576,140	3/1986	Schloser .	
4,627,408	12/1986	Schlosser .	
4,776,318	* 10/1988	Serra et al. ....	126/38
5,038,749	* 8/1991	Jerry et al. ....	126/40
5,881,709	* 3/1999	Daoust .....	126/44

\* cited by examiner

(21) Appl. No.: **29/100,608**  
(22) Filed: **Feb. 16, 1999**

*Primary Examiner*—Ruth McInroy  
(74) *Attorney, Agent, or Firm*—Kramer Levin Naftalis &  
Frankel, LLP.

(51) **LOC (7) Cl.** ..... **07-02**  
(52) **U.S. Cl.** ..... **D7/337**  
(58) **Field of Search** ..... D7/331–338, 402–404,  
D7/409, 362–365, 367; 99/340, 375, 419,  
421 H, 421 R, 422, 424, 443 C–444, 446–447,  
449, 450; 126/25 R, 25 A, 25 AA, 9 R,  
9 B, 38–39 R, 40, 41 R, 43, 44, 50, 29–30;  
426/523; 431/247, 344; 137/318, 322

(57) **CLAIM**

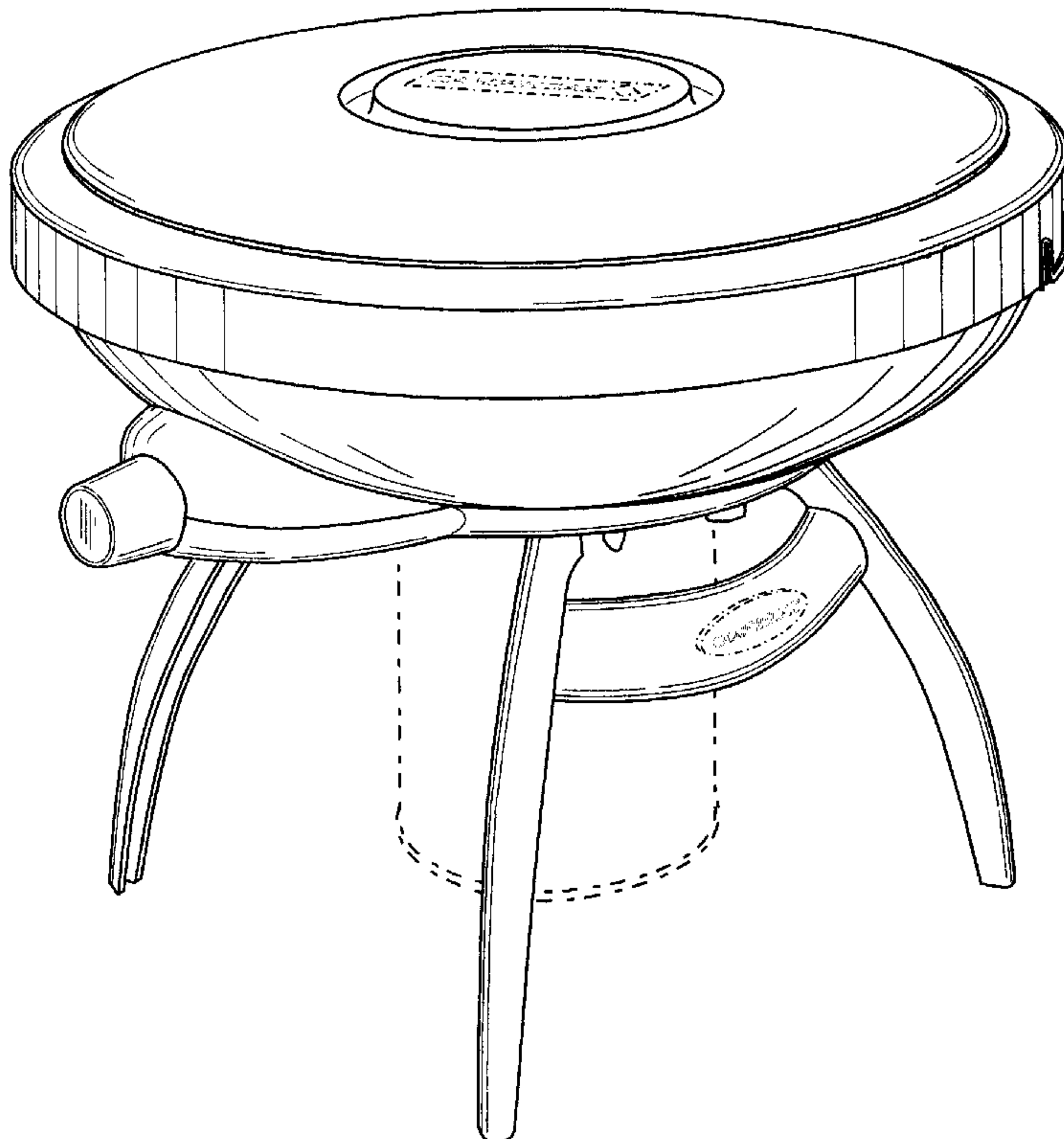
The ornamental design for a combined stove and grill, as shown and described.

(56) **References Cited**  
**U.S. PATENT DOCUMENTS**  
D. 184,450 \* 2/1959 Morton ..... D7/337  
D. 229,277 \* 11/1973 Mink-Kong ..... D7/337  
D. 244,985 \* 7/1977 Folke ..... D7/337  
D. 246,151 \* 10/1977 Chan ..... D7/337  
D. 249,448 \* 9/1978 Vache ..... D7/337  
D. 284,929 8/1986 Schlosser et al. .

**DESCRIPTION**

FIG. 1 is a top, front, and side perspective view of a combined stove and grill showing our new design; FIG. 2 is a front elevational view thereof; FIG. 3 is a side elevational view thereof, the side opposite that shown in FIG. 3 being the mirror image thereof; FIG. 4 is a rear elevational view thereof; and, FIG. 5 is a top plan view thereof. The written indicia and propane tank shown in broken lines in the views are for illustrative purposes only and forms no part of the claimed design.

**1 Claim, 5 Drawing Sheets**



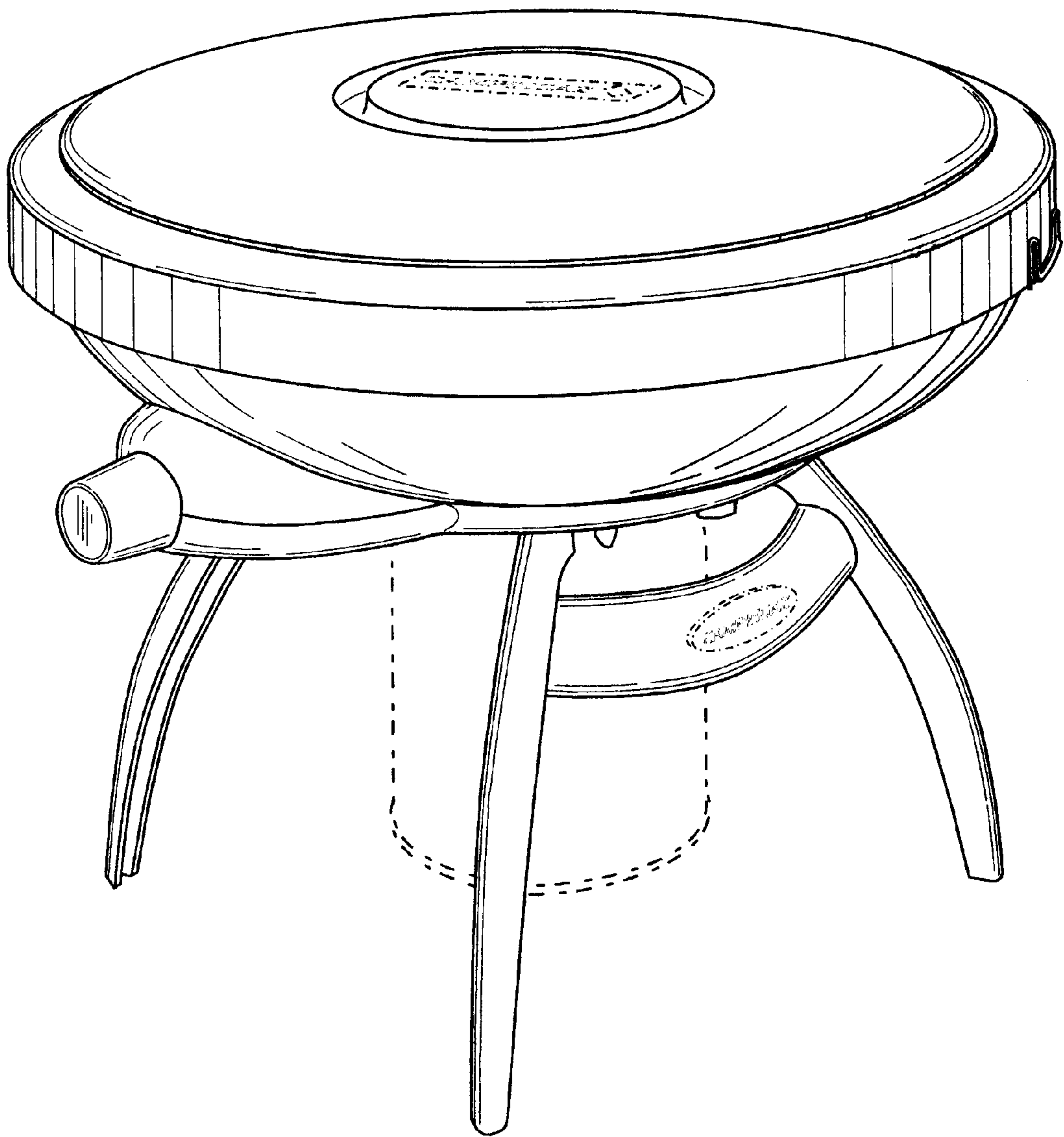


FIG. 1

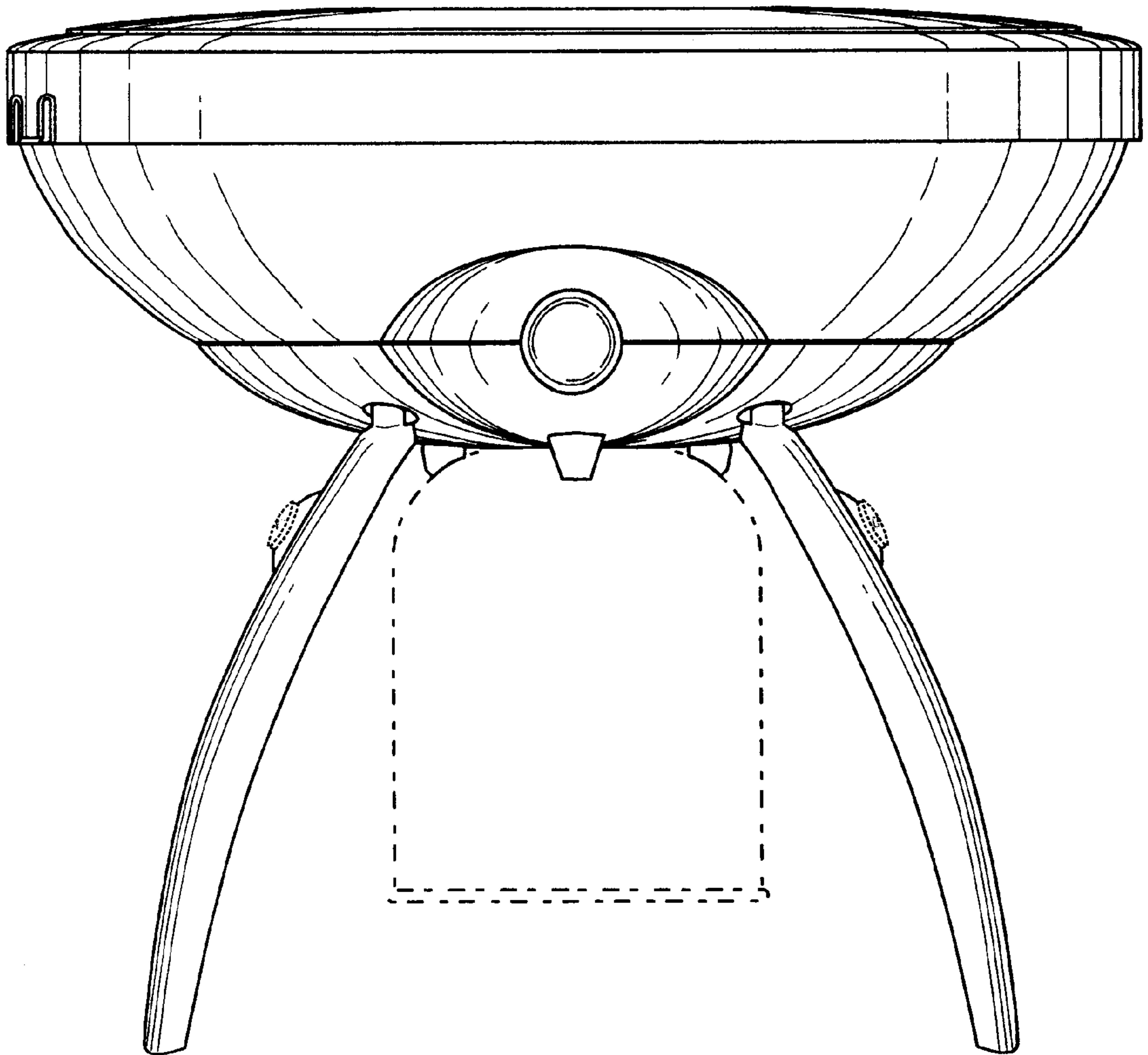


FIG. 2

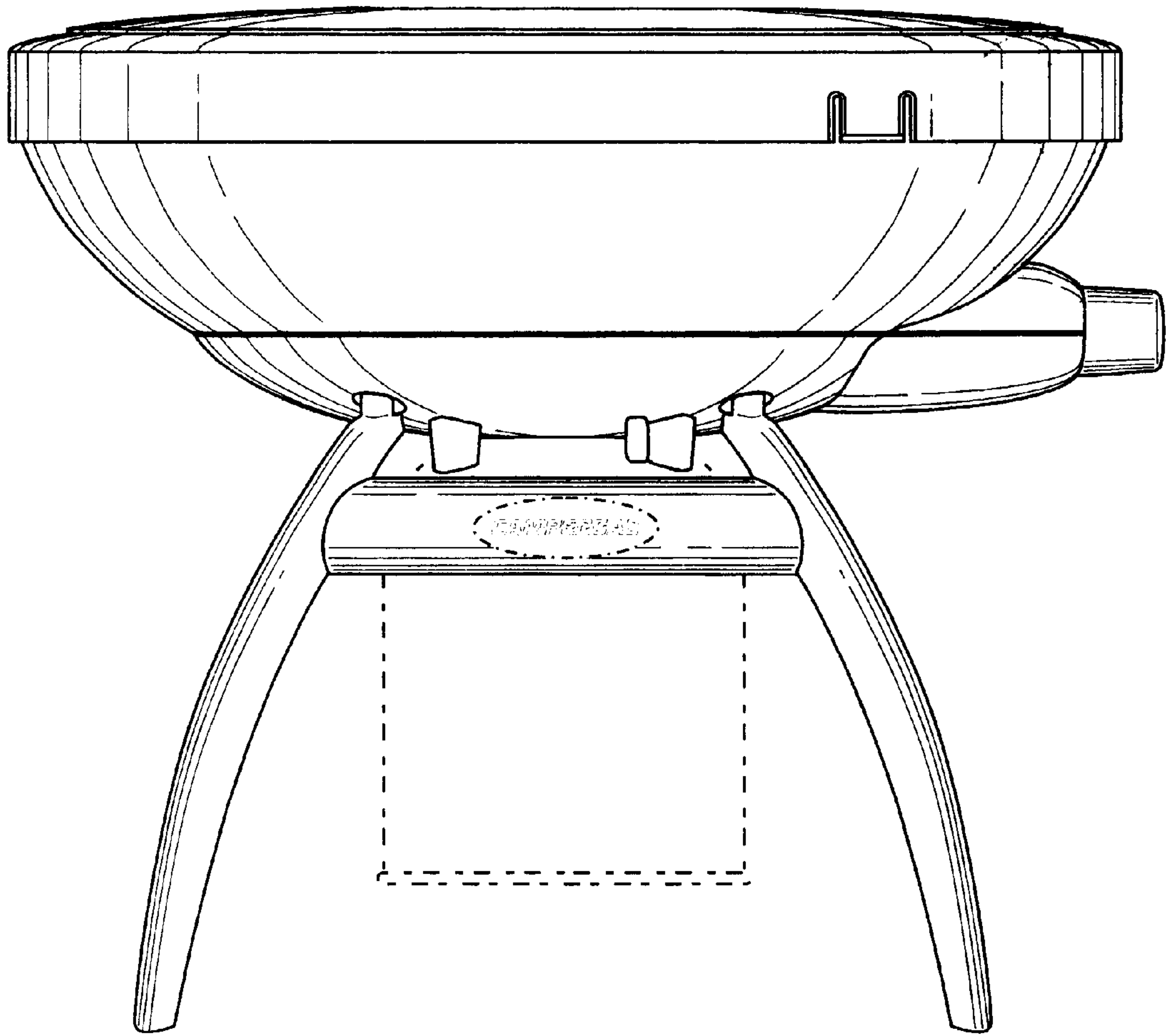
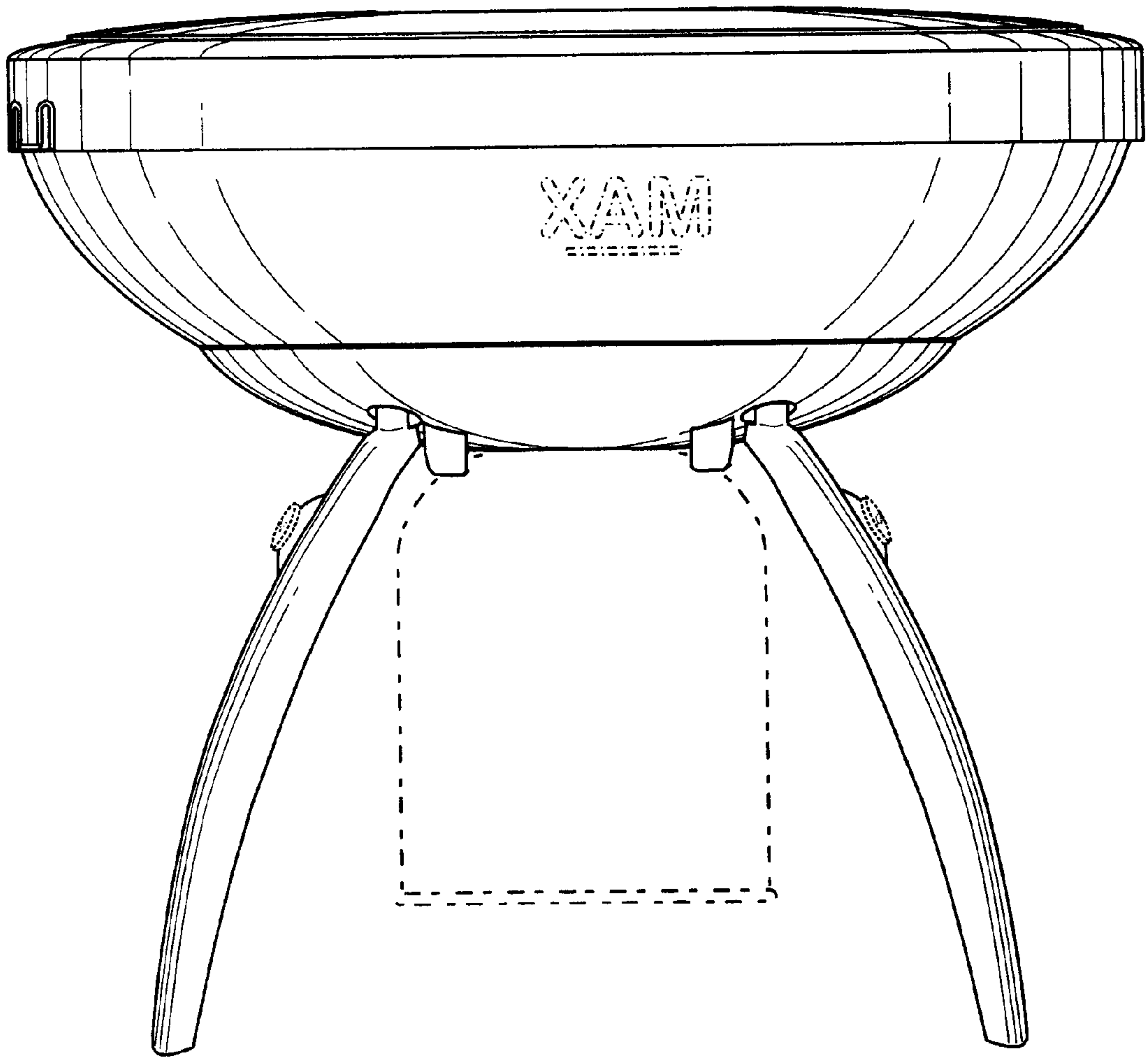
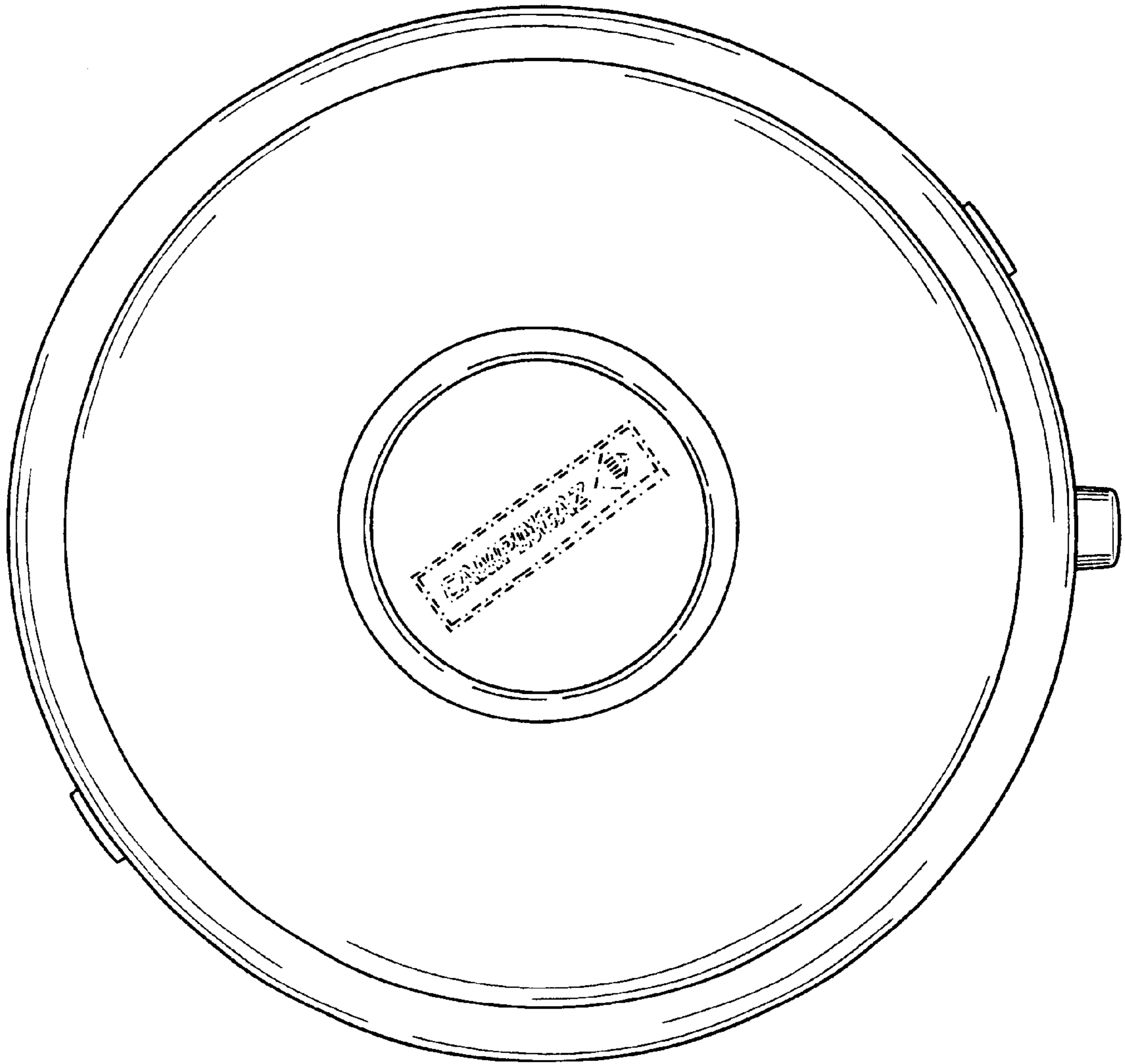


FIG. 3



**FIG. 4**





**FIG. 5**