



US00D447662B1

(12) **United States Design Patent**
Martinez et al.

(10) **Patent No.:** **US D447,662 S**
(45) **Date of Patent:** **** Sep. 11, 2001**

(54) **AUDIO AMPLIFIER SADDLE BAG COVER**

4,068,786	*	1/1978	Taniguchi	150/108
4,919,240	*	4/1990	Tabias	190/107
5,395,023	*	3/1995	Naymark et al.	383/2
5,797,528	*	8/1998	McDuffie	150/154

(76) Inventors: **Natalie N. Martinez; Ernie L. Martinez**, both of 1102 Malzahn, Saginaw, MI (US) 48602; **Daniel A. Mazur**, 1808 Woodside Ave., Essexville, MI (US) 48732

* cited by examiner

(**) Term: **14 Years**

Primary Examiner—Cathy Anne MacCormac
(74) *Attorney, Agent, or Firm*—Reising, Ethington, Barnes, Kisselle, Learman & McCulloch, P.C.

(21) Appl. No.: **29/106,030**

(57) **CLAIM**

(22) Filed: **Jun. 7, 1999**

The ornamental design for an audio amplifier saddle bag cover, as shown and described.

(51) **LOC (7) Cl.** **06-13**

DESCRIPTION

(52) **U.S. Cl.** **D6/610**

(58) **Field of Search** D6/610; D3/231-232, D3/303; 224/42.11, 260, 429-430, 609, 646, 905; 150/107-108, 118, 110, 154; 383/2, 4, 11, 15, 24-25; 190/1-2, 102, 107-108, 111; D14/188

FIG. 1 is a perspective view of the front and top of the audio amplifier saddle bag cover showing our new design with an end flap raised exposing a storage compartment; FIG. 2 is a perspective view of the rear and top thereof; FIG. 3 is a top plan view thereof; and, FIG. 4 is a bottom plan view thereof.

(56) **References Cited**

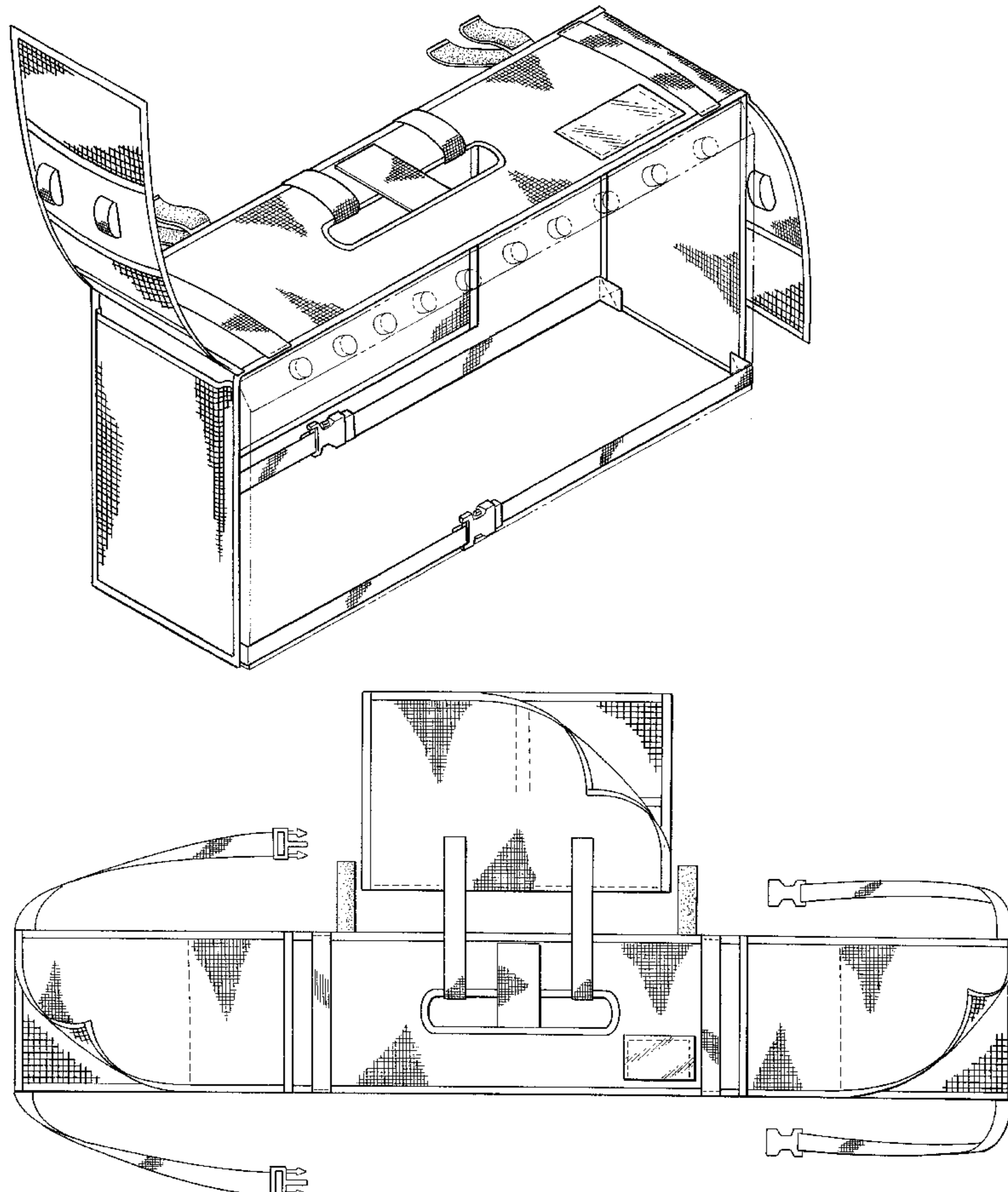
The broken line disclosure of an amplifier and cables in FIGS. 1 and 2 are for purposes of illustration only and form no part of the claimed design.

U.S. PATENT DOCUMENTS

The equally spaced dashed lines represent conventional stitching.

- | | | | | |
|------------|---|---------|-----------|---------|
| D. 233,025 | * | 10/1974 | Dague | D3/231 |
| D. 316,483 | * | 4/1991 | Haack | D6/610 |
| D. 389,363 | * | 1/1998 | Robertson | D6/610 |
| 3,583,600 | * | 6/1971 | Scott | 224/646 |

1 Claim, 4 Drawing Sheets



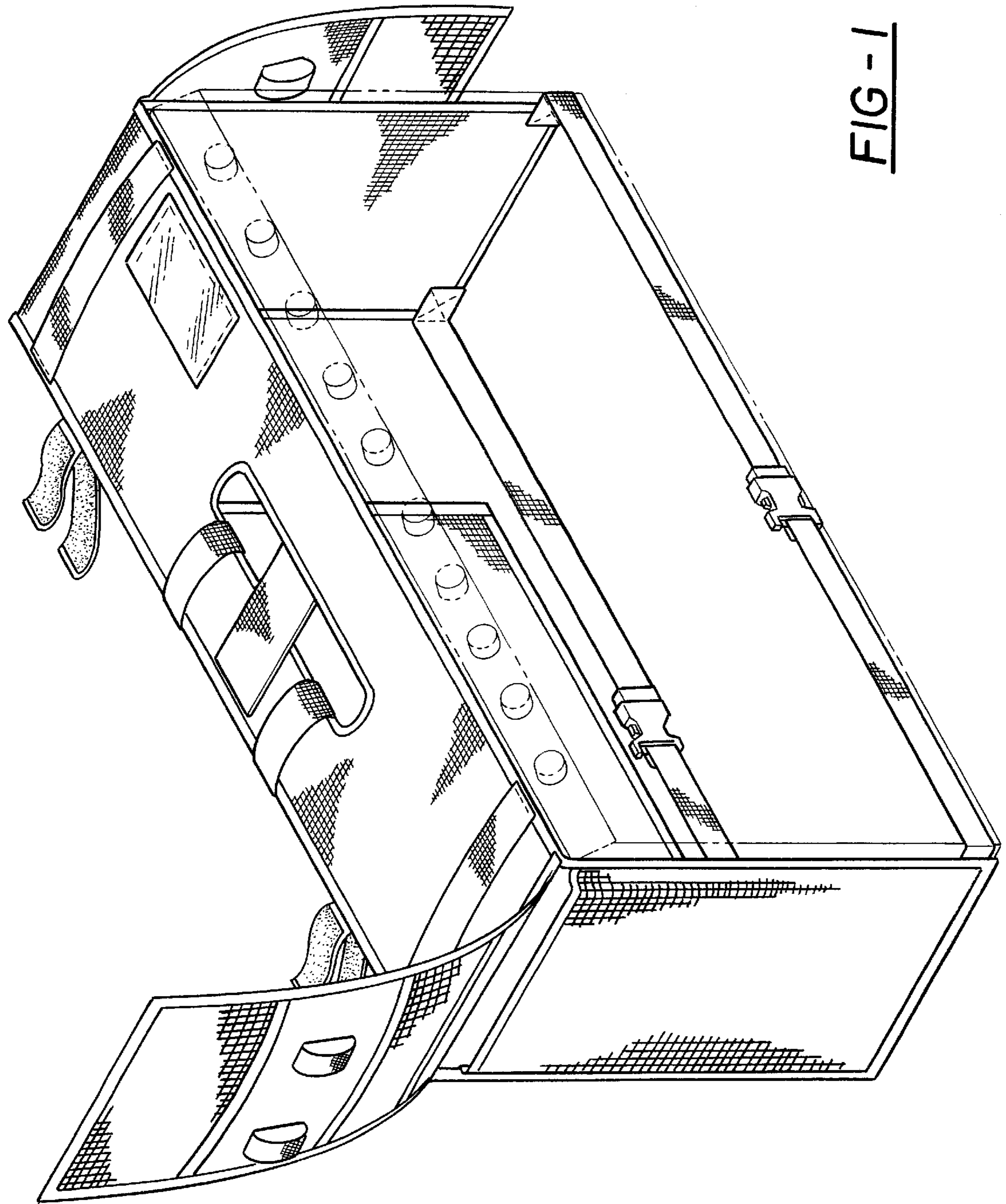


FIG - 1

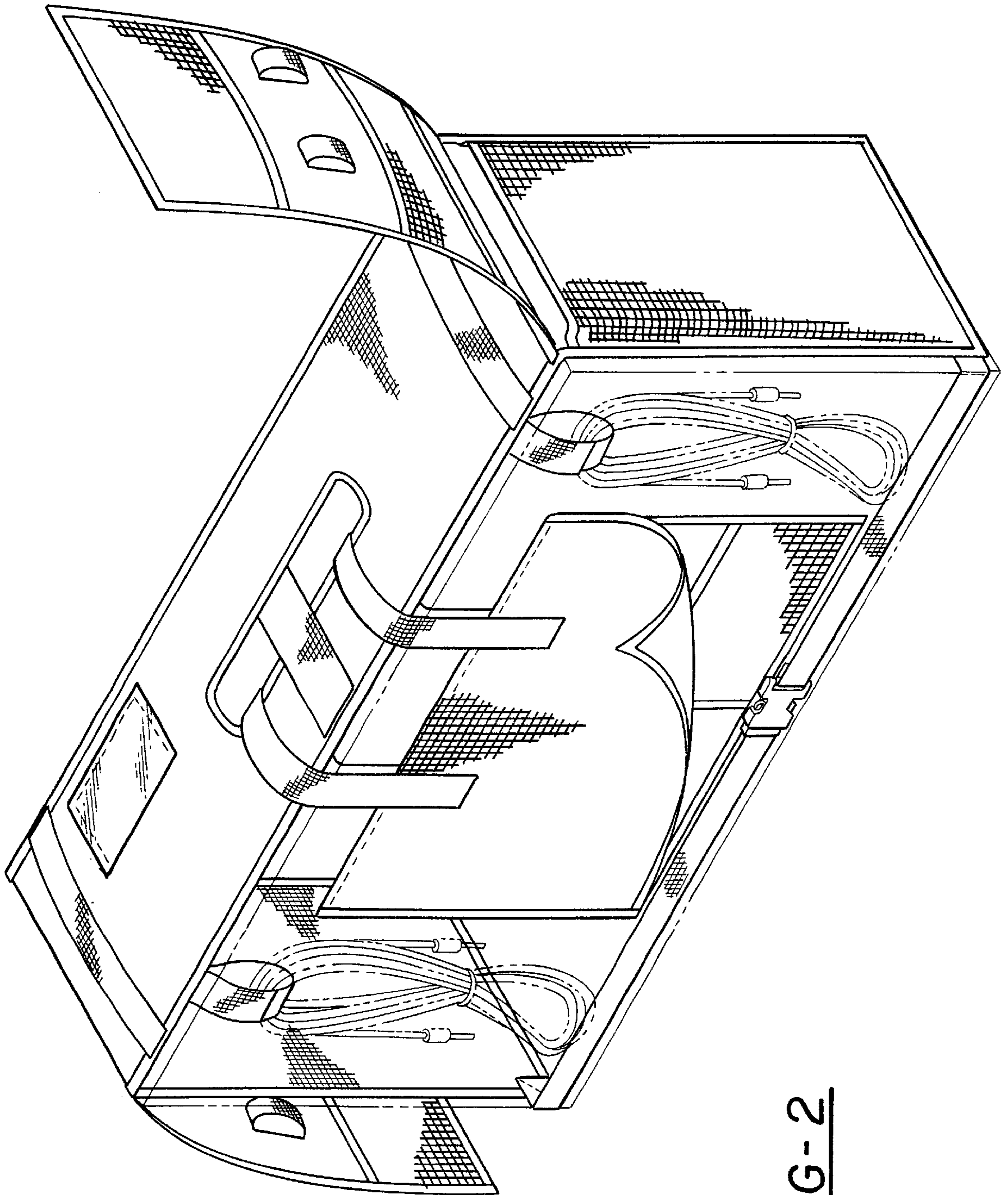


FIG- 2

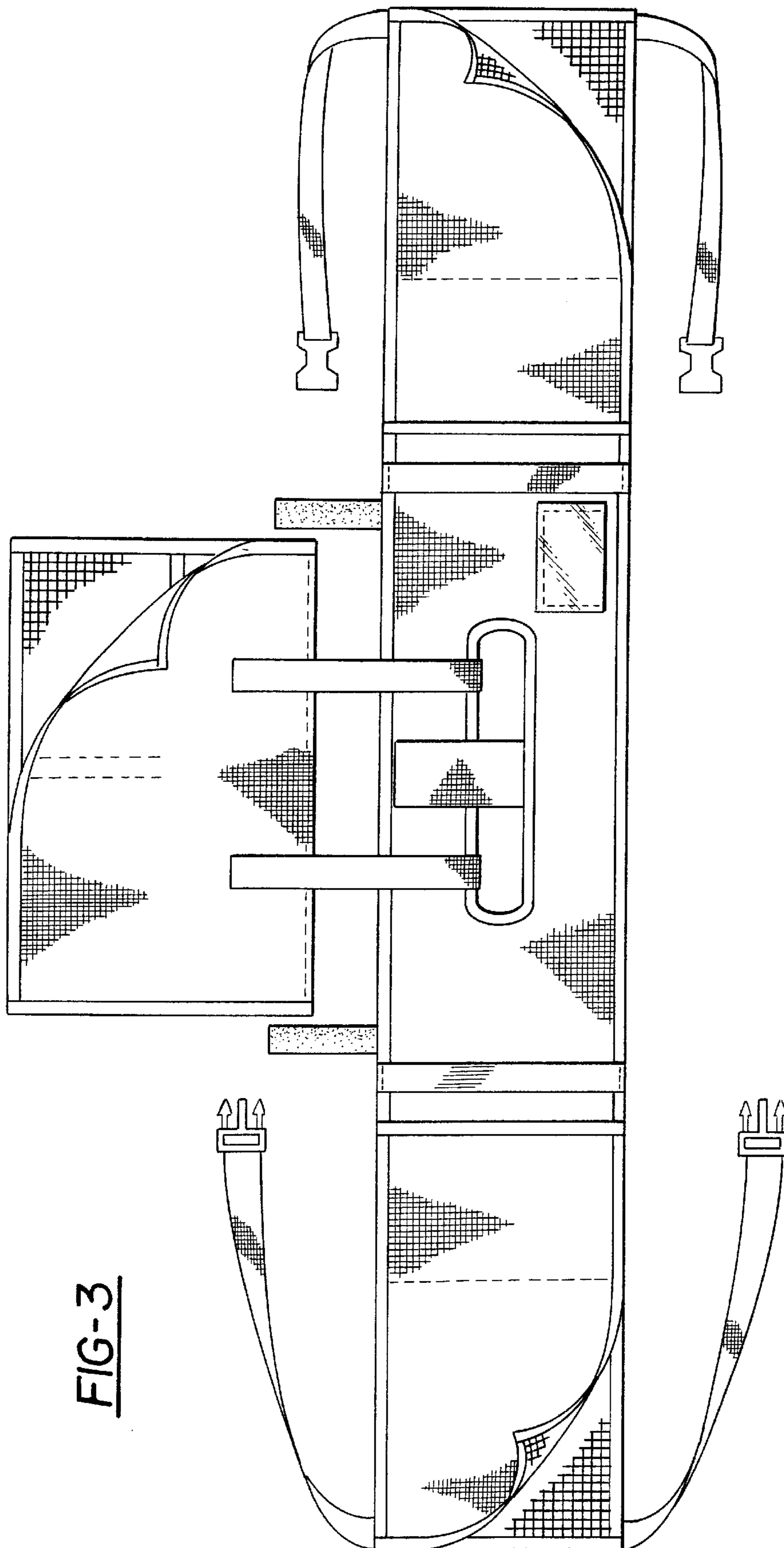


FIG-3

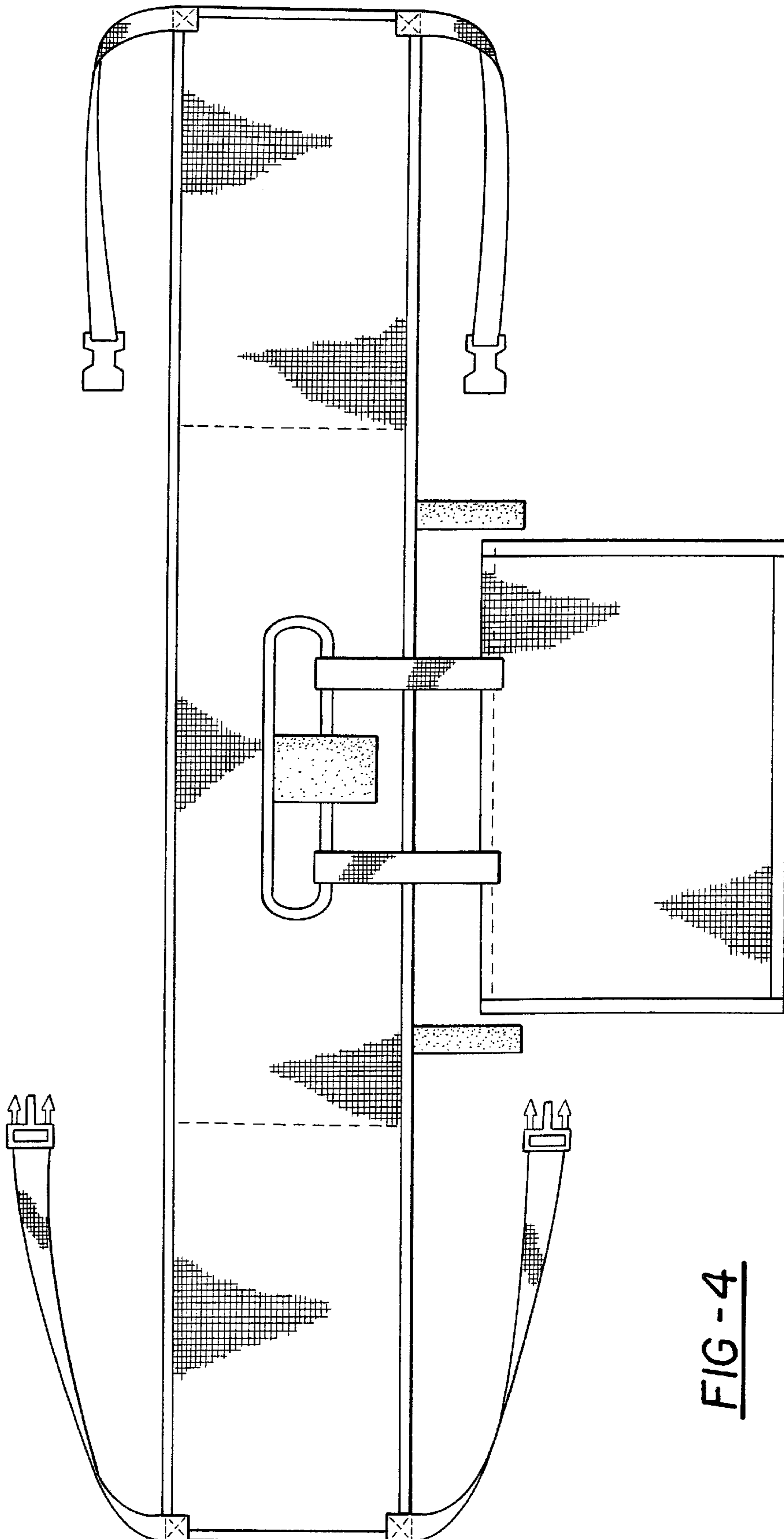


FIG - 4