



US00D447652B1

(12) **United States Design Patent**
Beggs

(10) **Patent No.:** **US D447,652 S**

(45) **Date of Patent:** **** Sep. 11, 2001**

(54) **CHAIR CONTROL LEVER**

(75) Inventor: **Ken A. Beggs**, Waterloo (CA)

(73) Assignee: **Northfield Metal Products Limited**,
Waterloo (CA)

(**) Term: **14 Years**

(21) Appl. No.: **29/109,848**

(22) Filed: **Aug. 24, 1999**

(51) **LOC (7) Cl.** **06-06**

(52) **U.S. Cl.** **D6/500**

(58) **Field of Search** D6/364, 365, 366,
D6/367, 500, 501, 502; 297/344.18, 344.19,
344.21

(56) **References Cited**

U.S. PATENT DOCUMENTS

D. 247,943	*	5/1978	Doerner	D6/500
D. 252,661	*	8/1979	Bowman	D6/500
D. 292,459	*	10/1987	Doerner	D6/500
D. 374,779	*	10/1996	Feldberg	D6/366

OTHER PUBLICATIONS

Declaration of inventor **KEN A. BEGGS**.
Two (2) pages of colored photographs and copies of same.

* cited by examiner

Primary Examiner—Gary D. Watson

(74) *Attorney, Agent, or Firm*—Shook, Hardy & Bacon
L.L.P.

(57) **CLAIM**

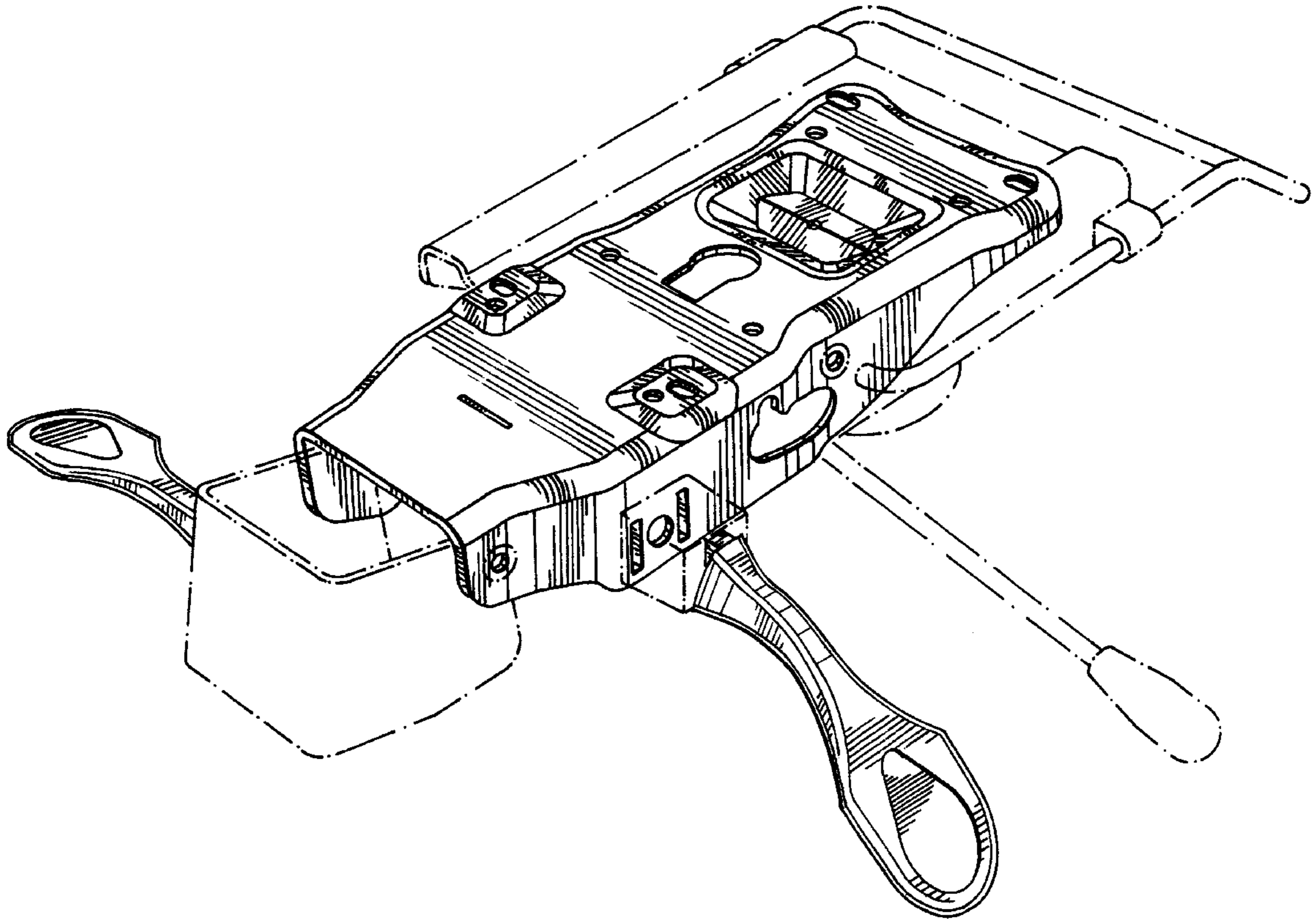
The ornamental design for a chair control lever, as shown
and described.

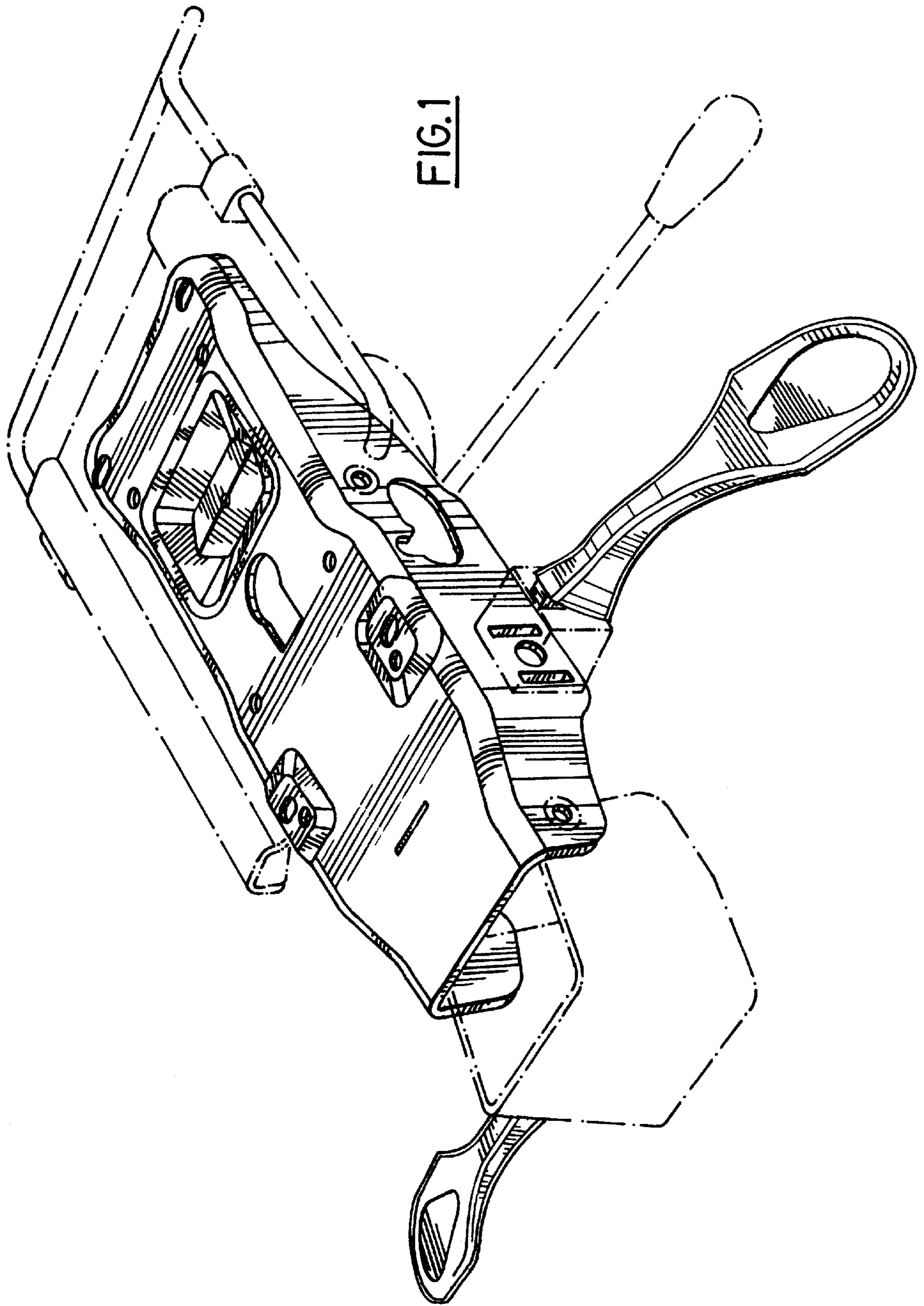
DESCRIPTION

FIG. 1 is a right side perspective view of the design,
FIG. 2 is a right side view of the design,
FIG. 3 is a rear view of the design,
FIG. 4 is a left side view of the design,
FIG. 5 is a front view of the design,
FIG. 6 is a top view of the design; and,
FIG. 7 is a bottom view of the design.

The broken lines shown are for illustrative purposes only
and form no part of the claimed design.

1 Claim, 5 Drawing Sheets





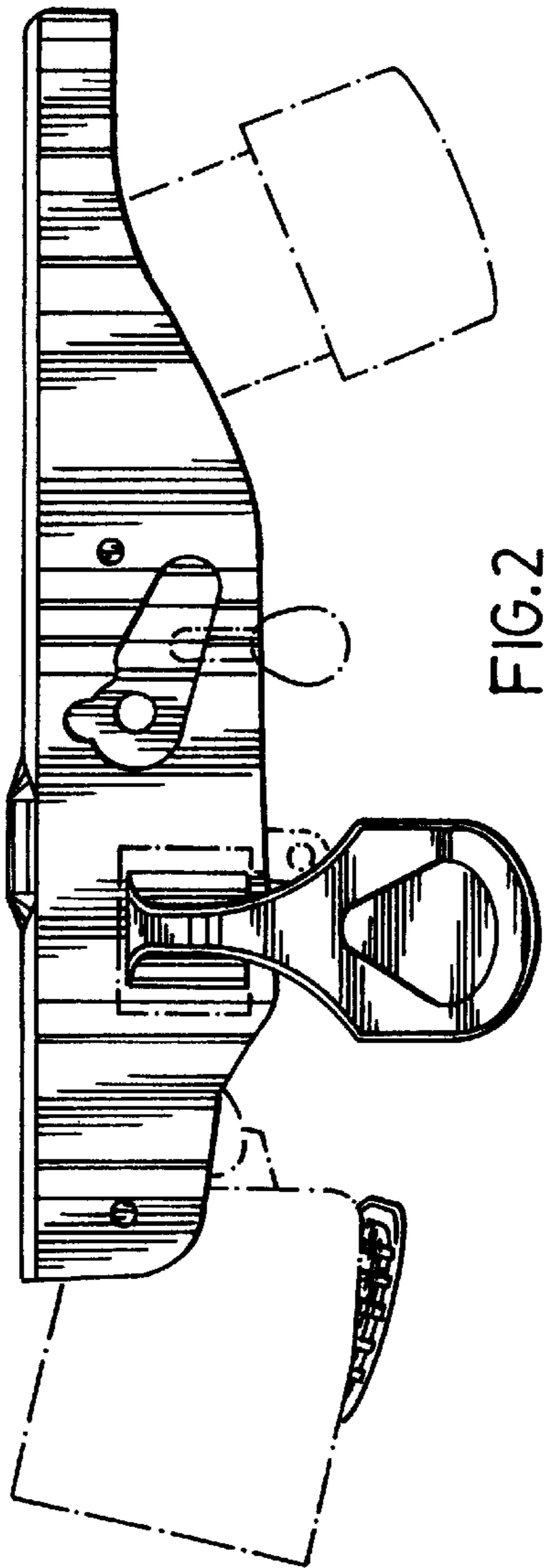


FIG. 2

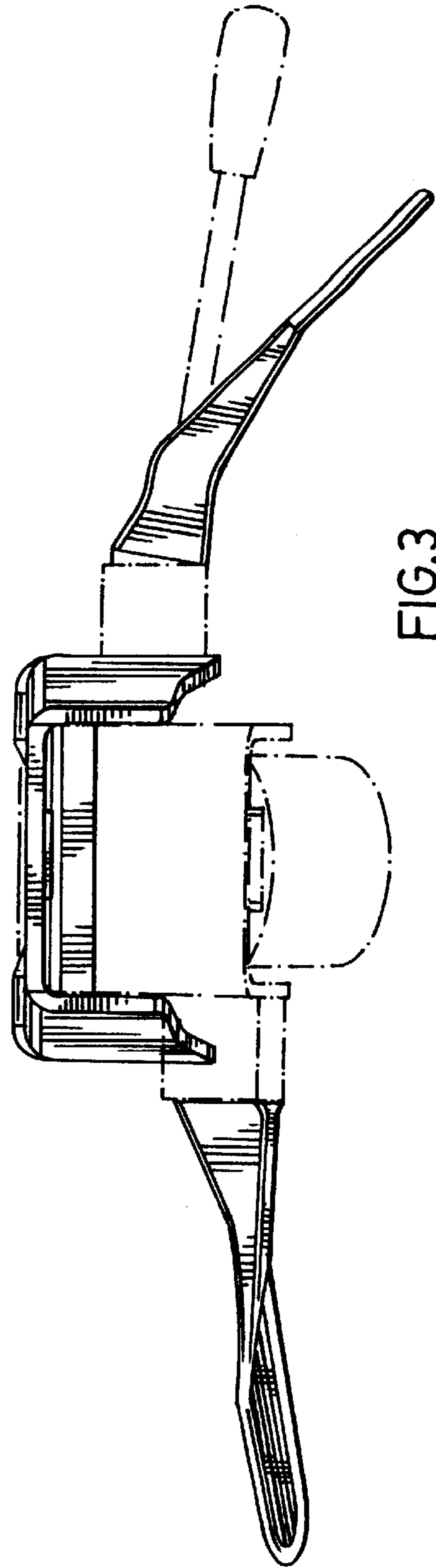
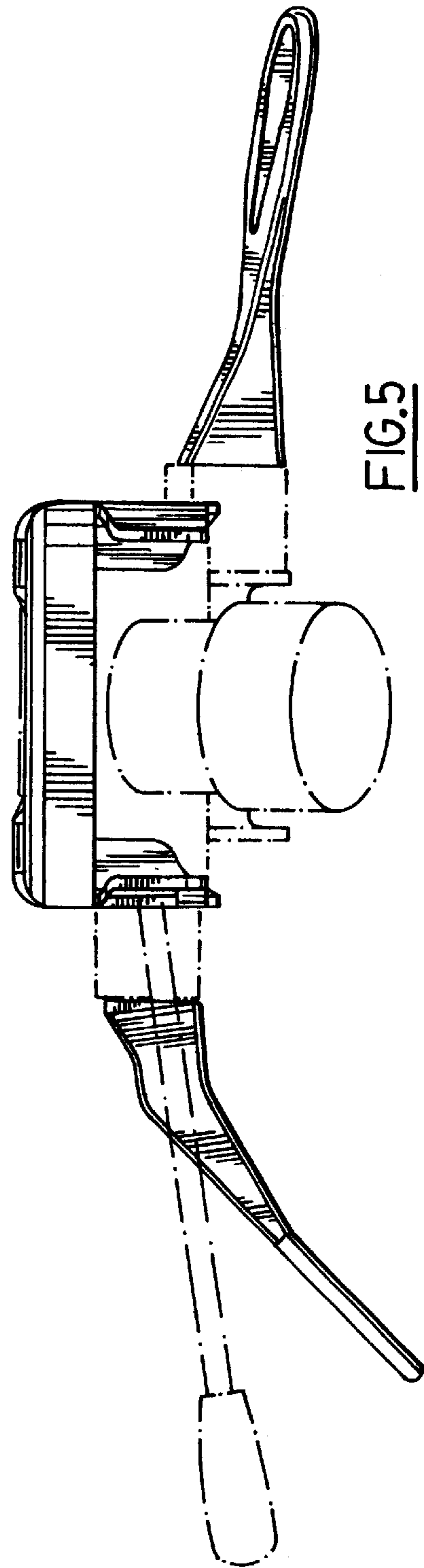
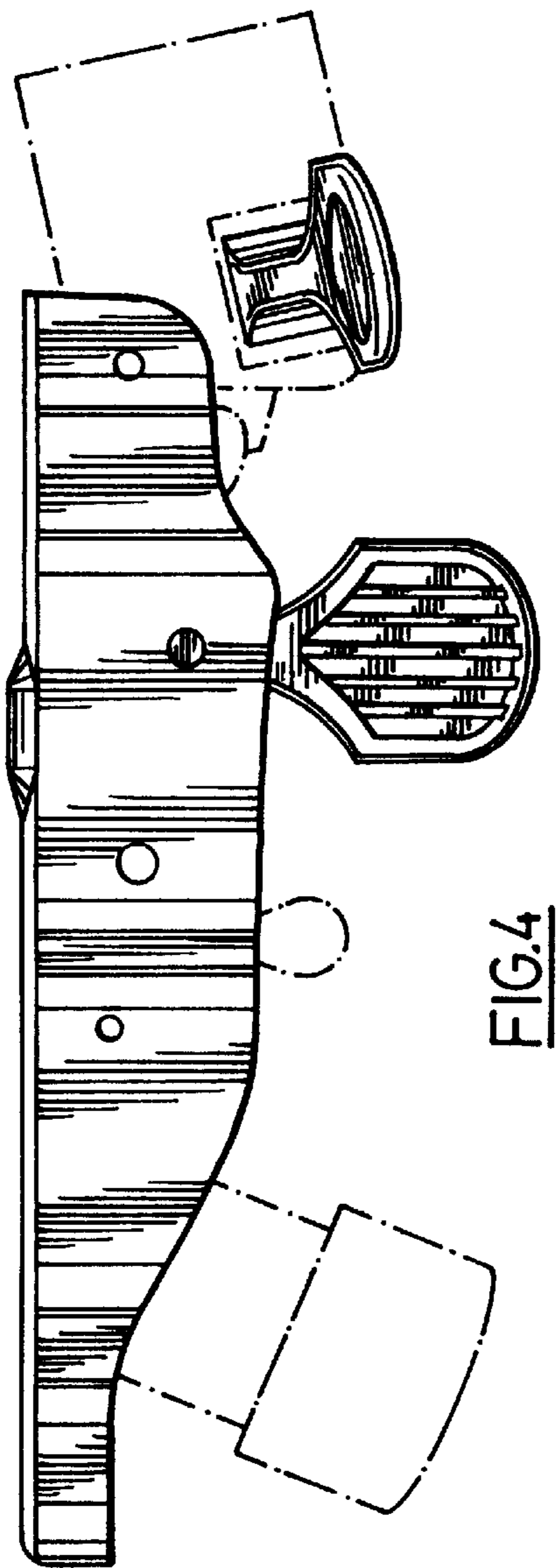


FIG. 3



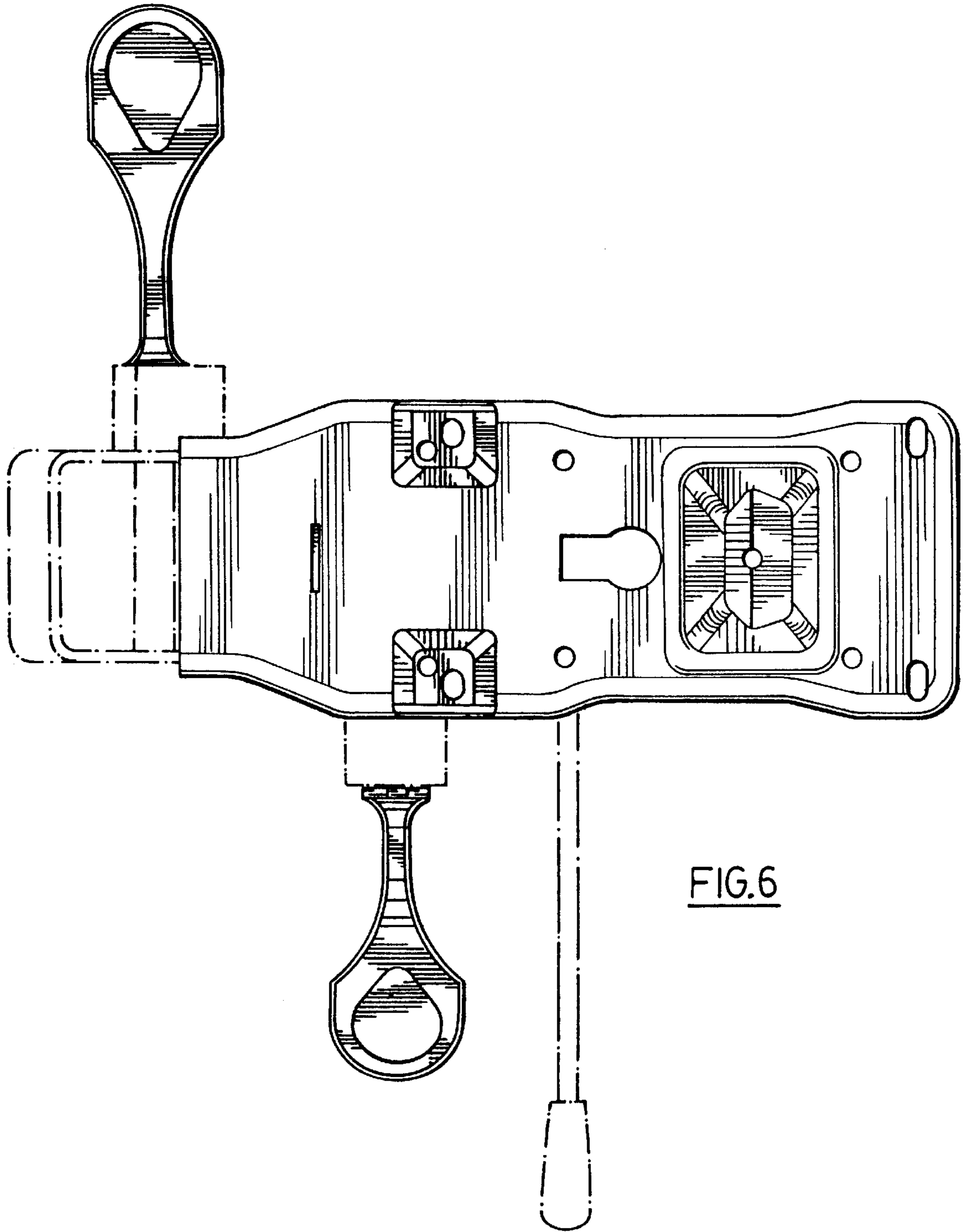


FIG.6

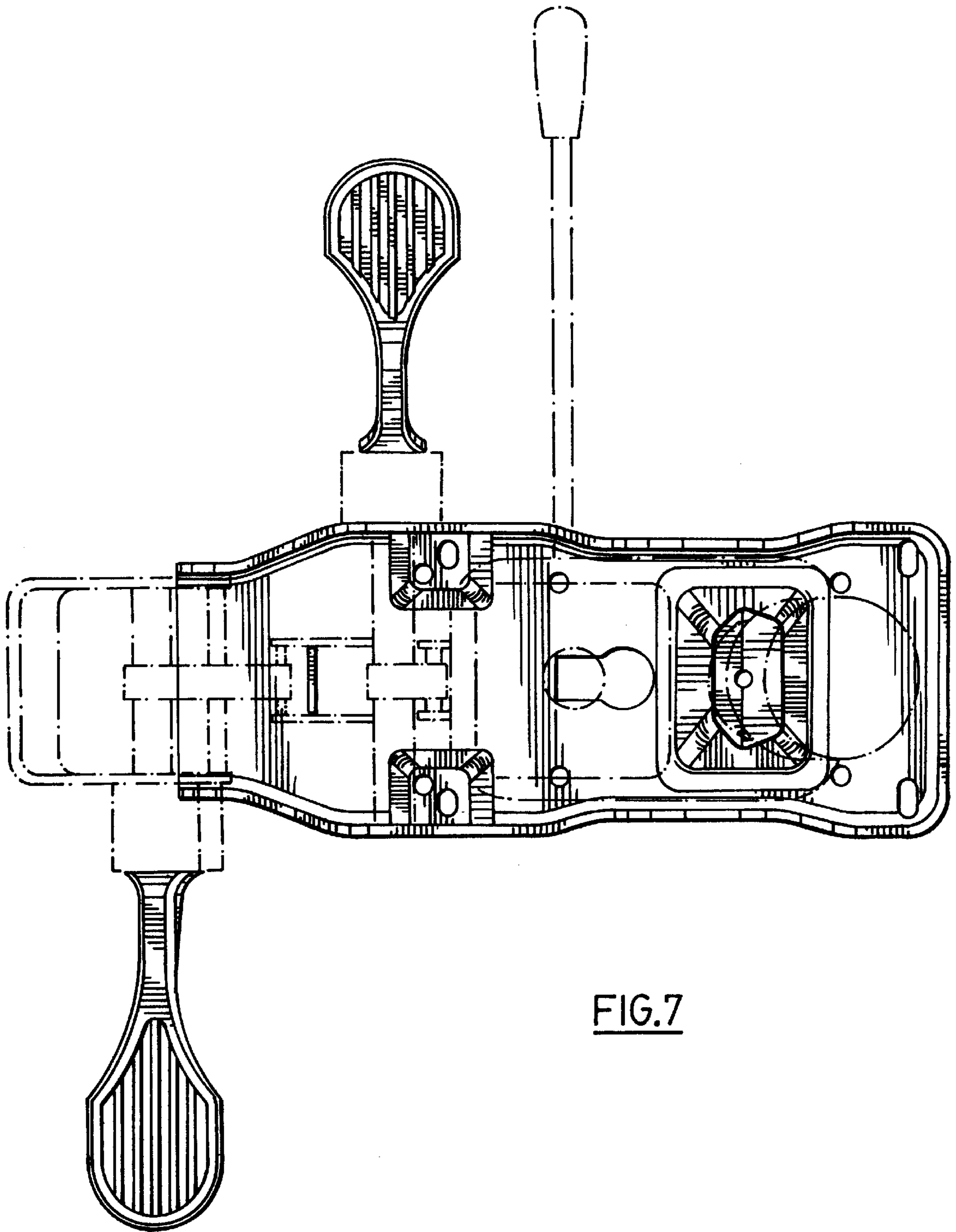


FIG. 7