



US00D447651B1

(12) **United States Design Patent**
Ooyama et al.

(10) **Patent No.:** **US D447,651 S**

(45) **Date of Patent:** **** Sep. 11, 2001**

(54) **LEG FOR BARBER OR BEAUTY CHAIR**

(75) Inventors: **Kazuo Ooyama**, Osaka; **Toshiaki Kawakami**, Hiji-machi, both of (JP)

(73) Assignee: **Oohiro Works, Ltd.**, Osaka (JP)

(**) Term: **14 Years**

(21) Appl. No.: **29/125,321**

(22) Filed: **Jun. 22, 2000**

(30) **Foreign Application Priority Data**

Dec. 28, 1999 (JP) 11-37133

(51) **LOC (7) Cl.** **06-06**

(52) **U.S. Cl.** **D6/498; D6/500**

(58) **Field of Search** D6/334, 335, 360,
D6/364, 365, 366, 367, 499, 500, 501,
502; 248/188, 188.1, 188.7, 188.8, 188.9

(56) **References Cited**

U.S. PATENT DOCUMENTS

- D. 319,159 * 8/1991 Silbersky et al. D6/498
- D. 332,182 * 1/1993 Citterio D6/366

- D. 346,072 * 4/1994 Zapf D6/366
- D. 394,962 * 6/1998 Diramarian D6/366
- D. 415,363 * 10/1999 Rehmert et al. D6/365 X
- 1,930,021 * 10/1933 Powell 248/188.7

* cited by examiner

Primary Examiner—Gary D. Watson

(74) *Attorney, Agent, or Firm*—Burr & Brown

(57) **CLAIM**

The ornamental design for a leg for barber or beauty chair, as shown and described.

DESCRIPTION

FIG. 1 is a front view of a leg for barber or beauty chair in accordance with my new design;
 FIG. 2 is a back view thereof;
 FIG. 3 is a right side view thereof;
 FIG. 4 is a left side view thereof;
 FIG. 5 is a top view thereof;
 FIG. 6 is a bottom view thereof;
 FIG. 7 is a perspective view thereof; and,
 FIG. 8 is another perspective view thereof.

1 Claim, 5 Drawing Sheets

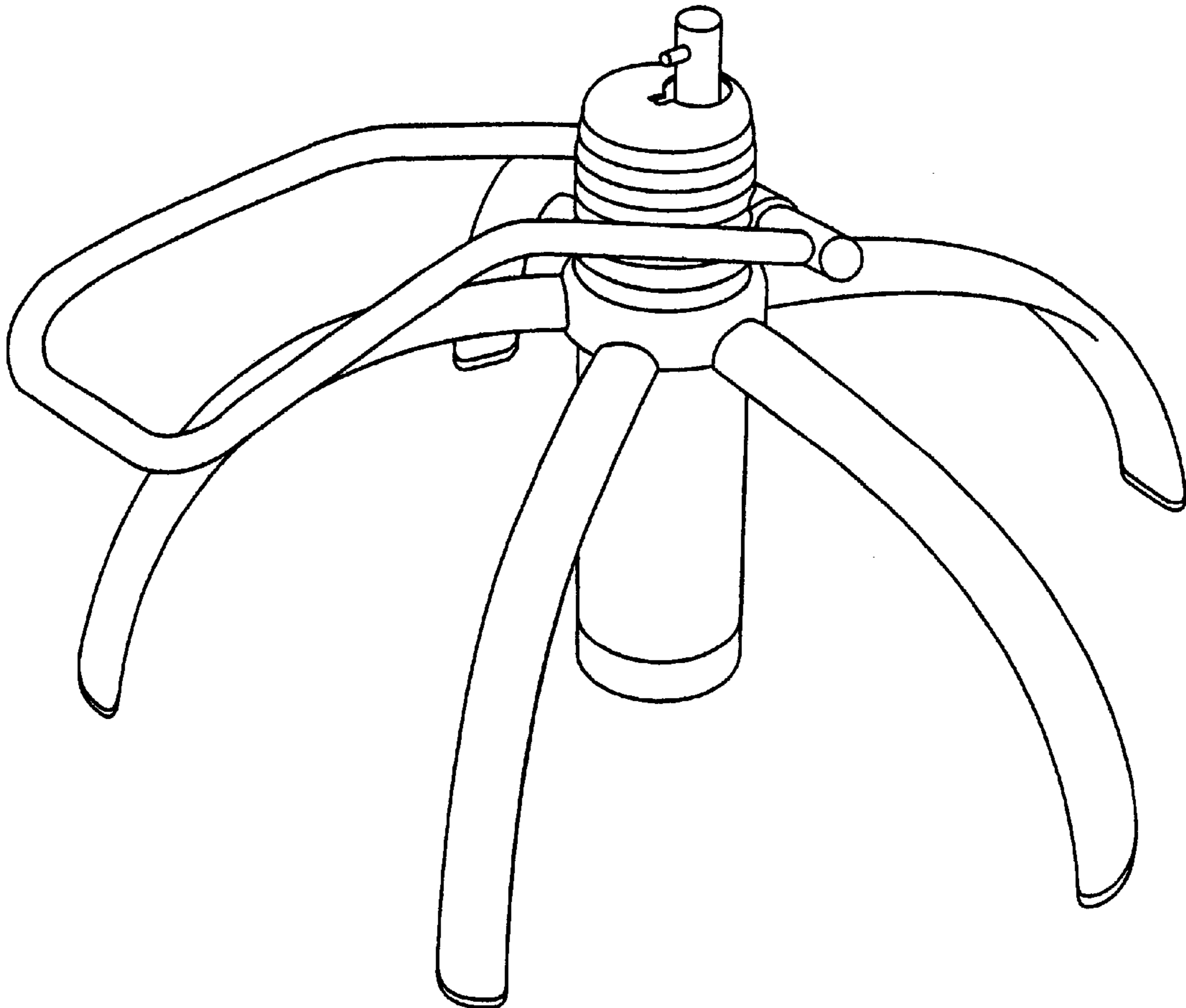


Fig.1

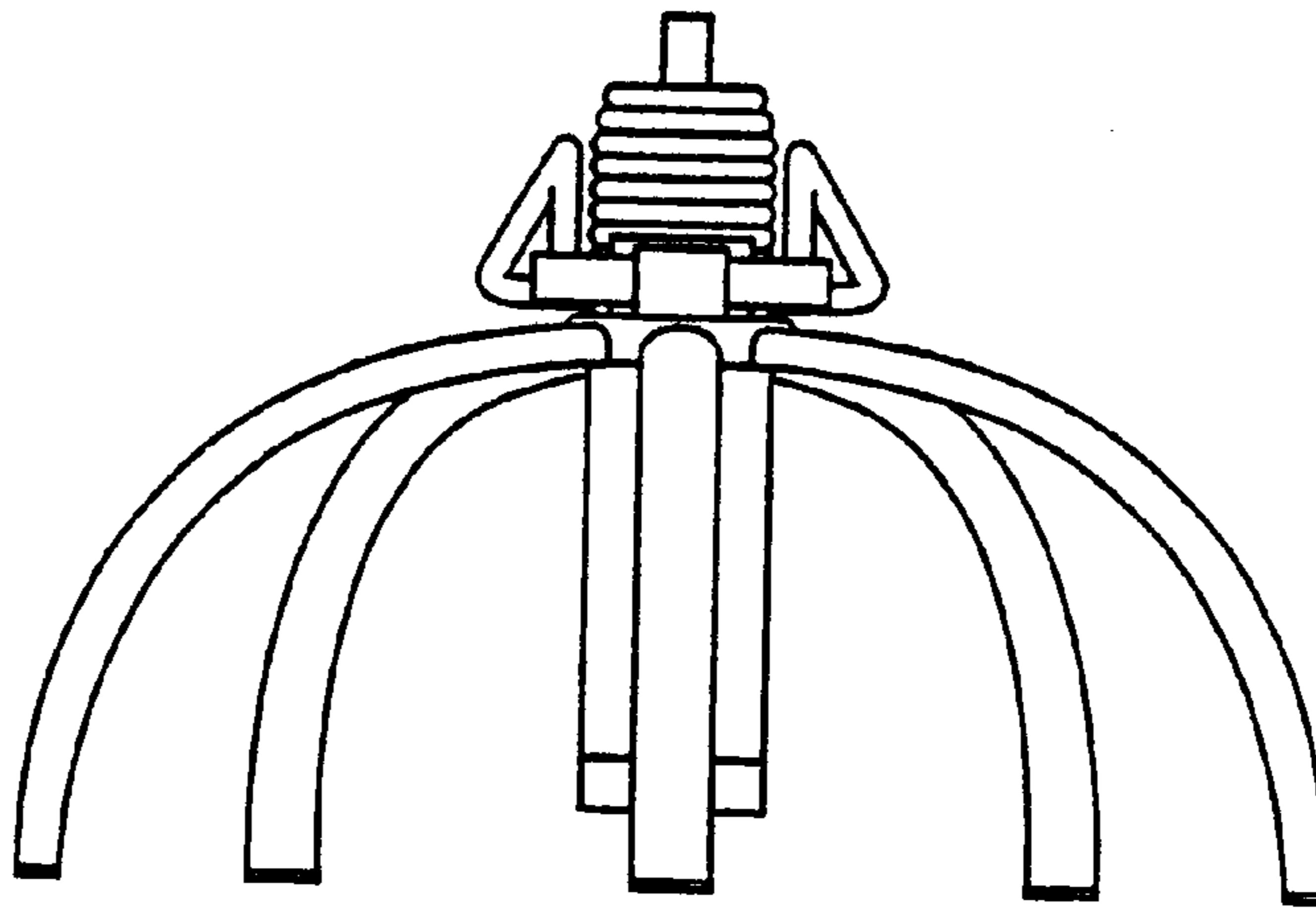


Fig.2

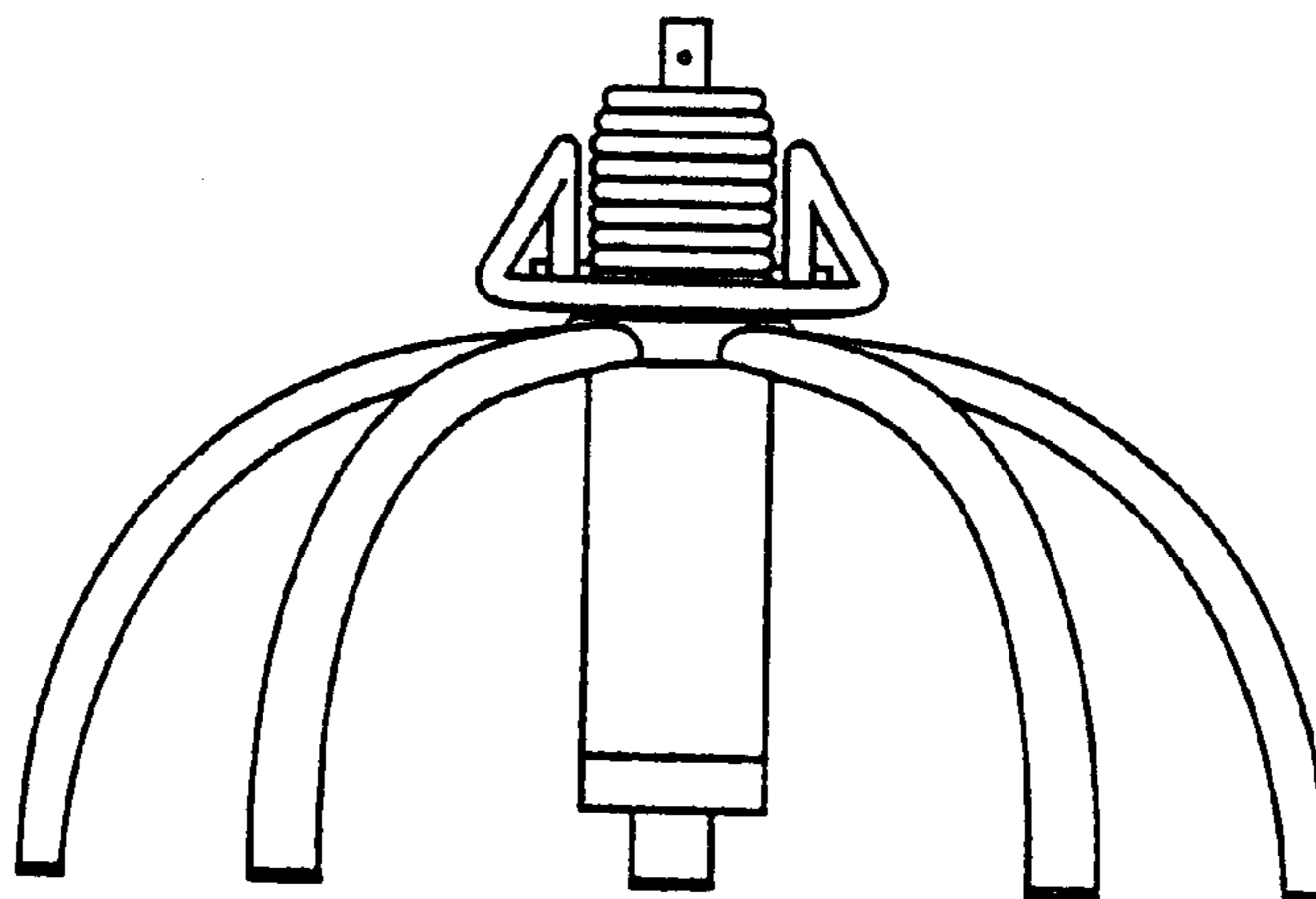


Fig.3

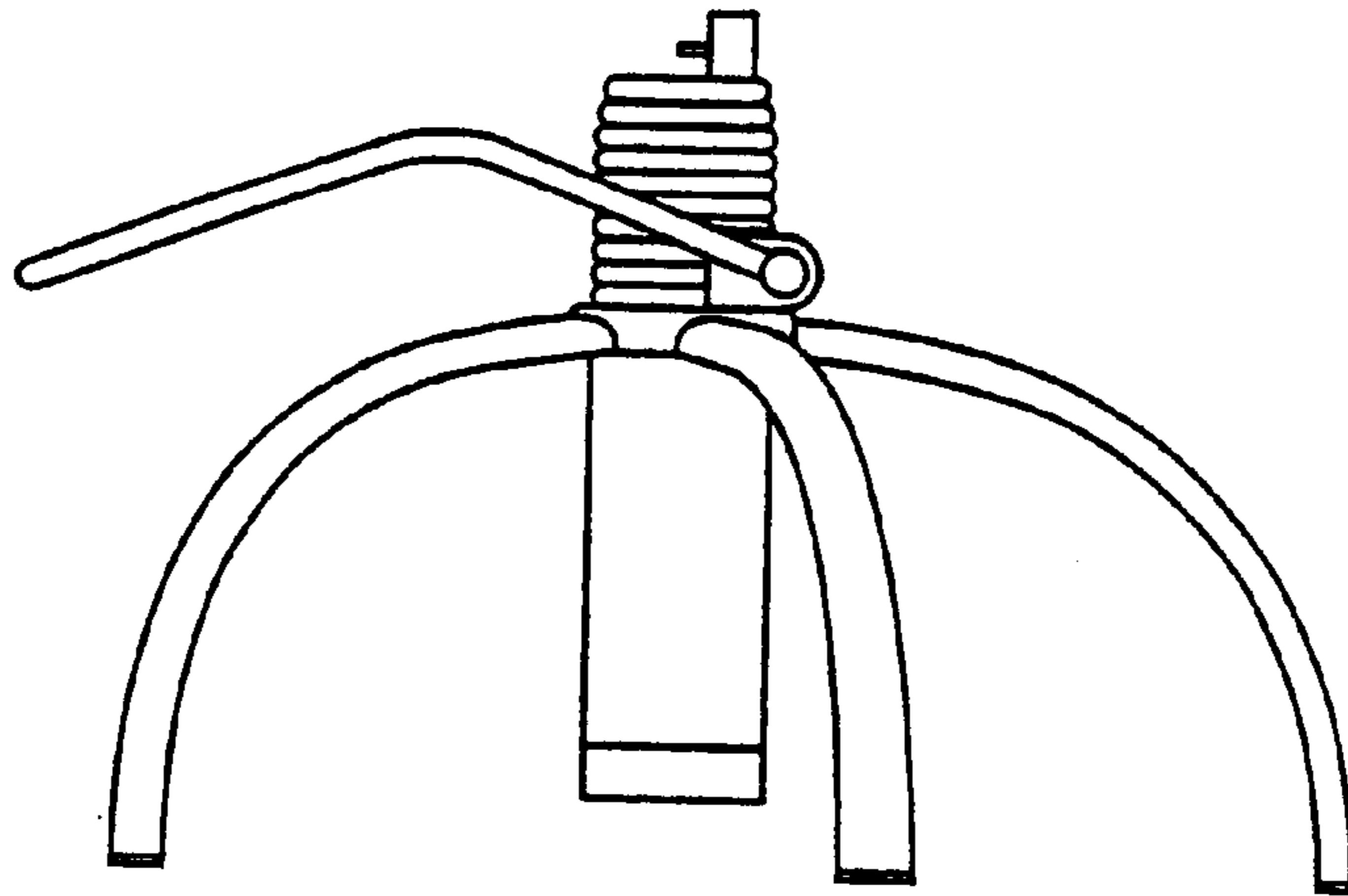


Fig.4

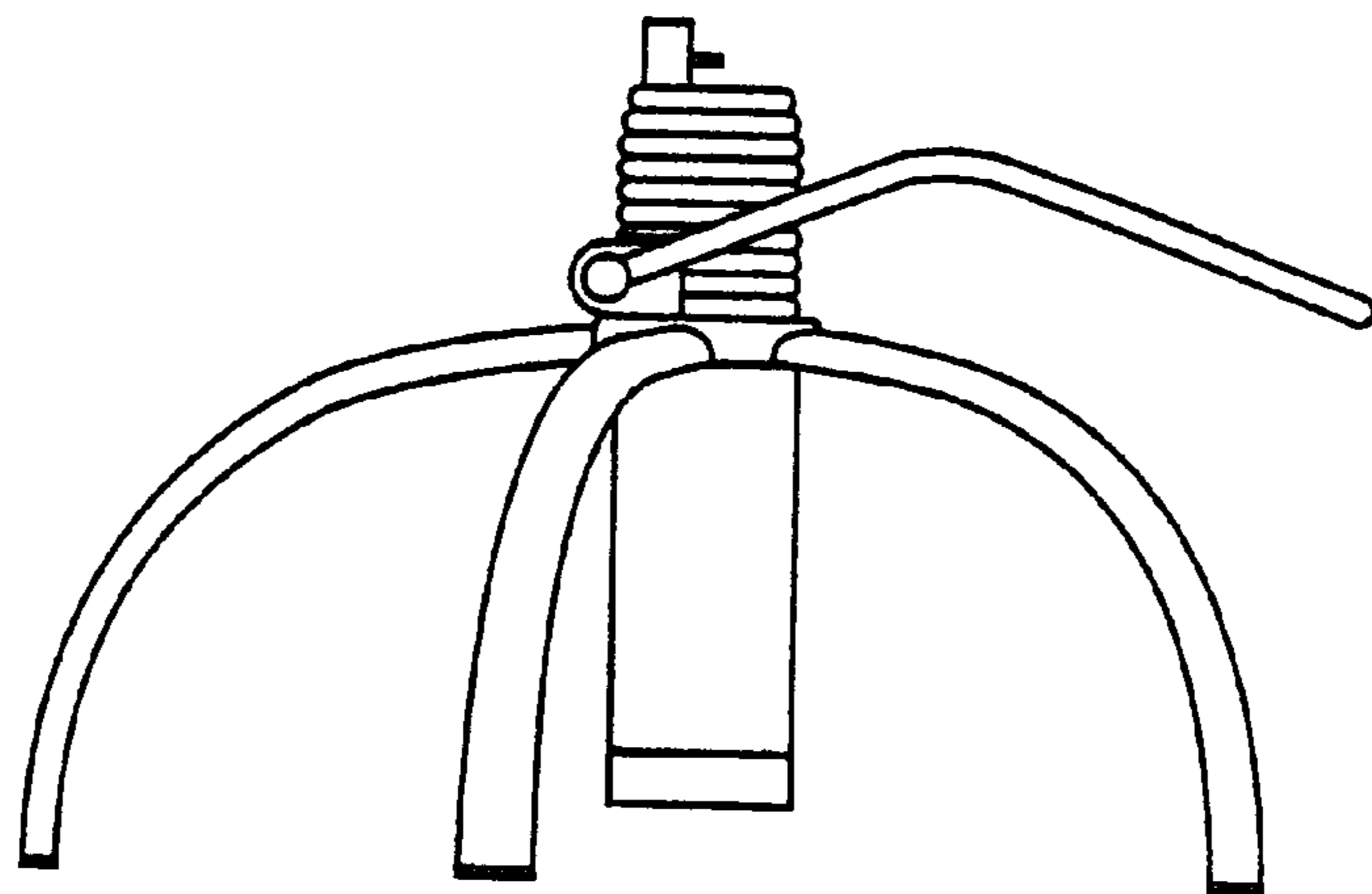


Fig.5

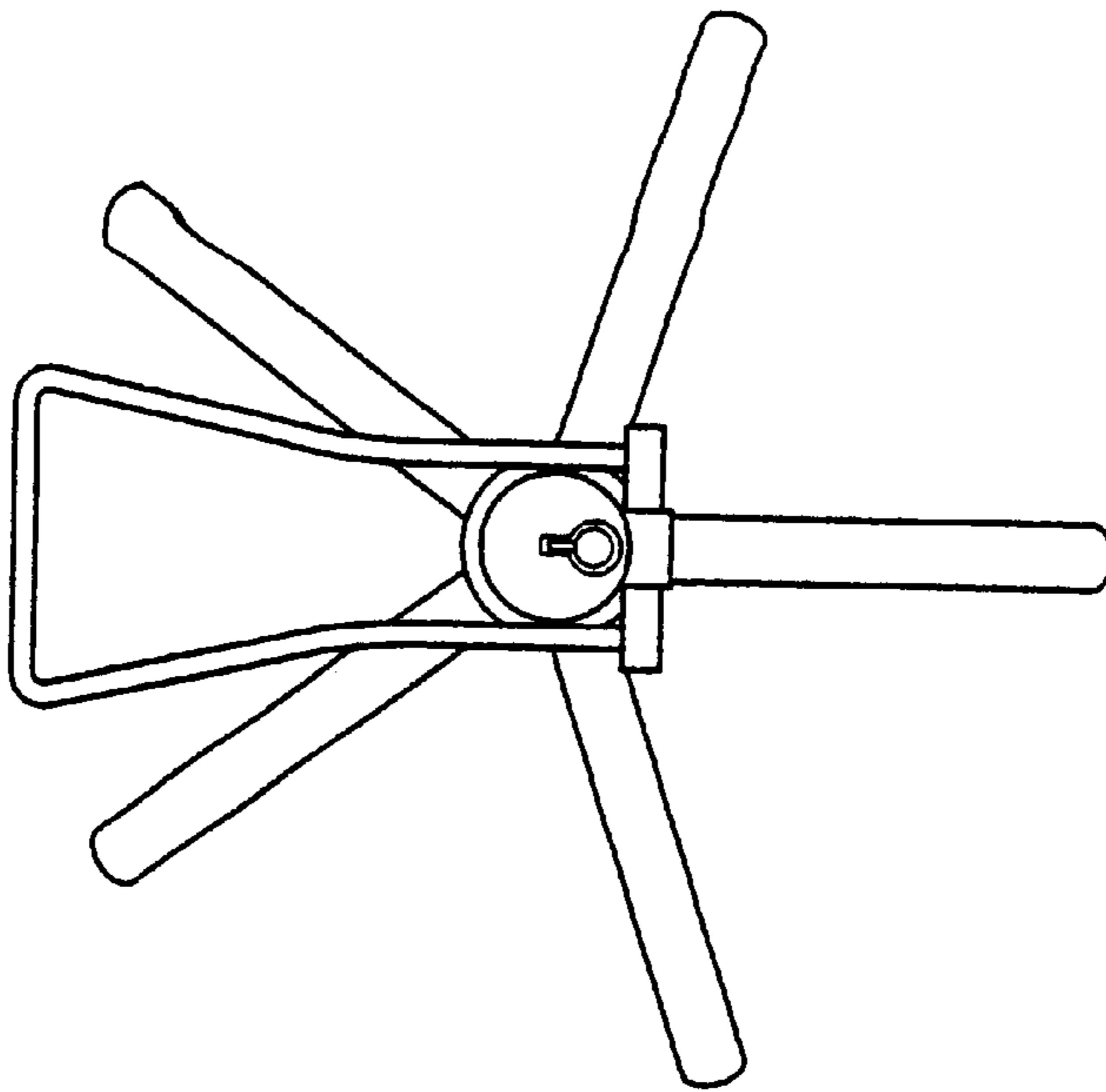


Fig.6

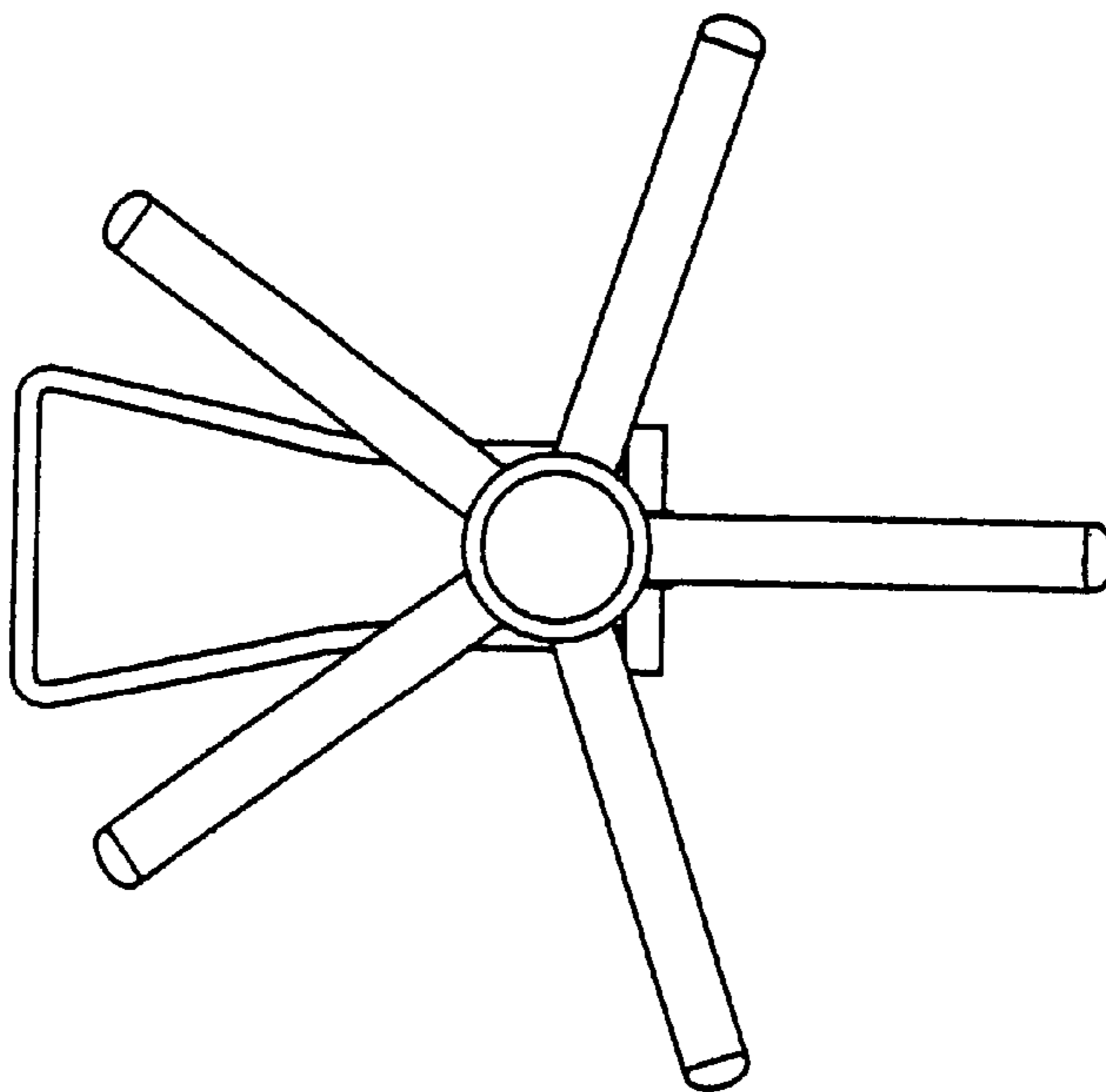


Fig.7

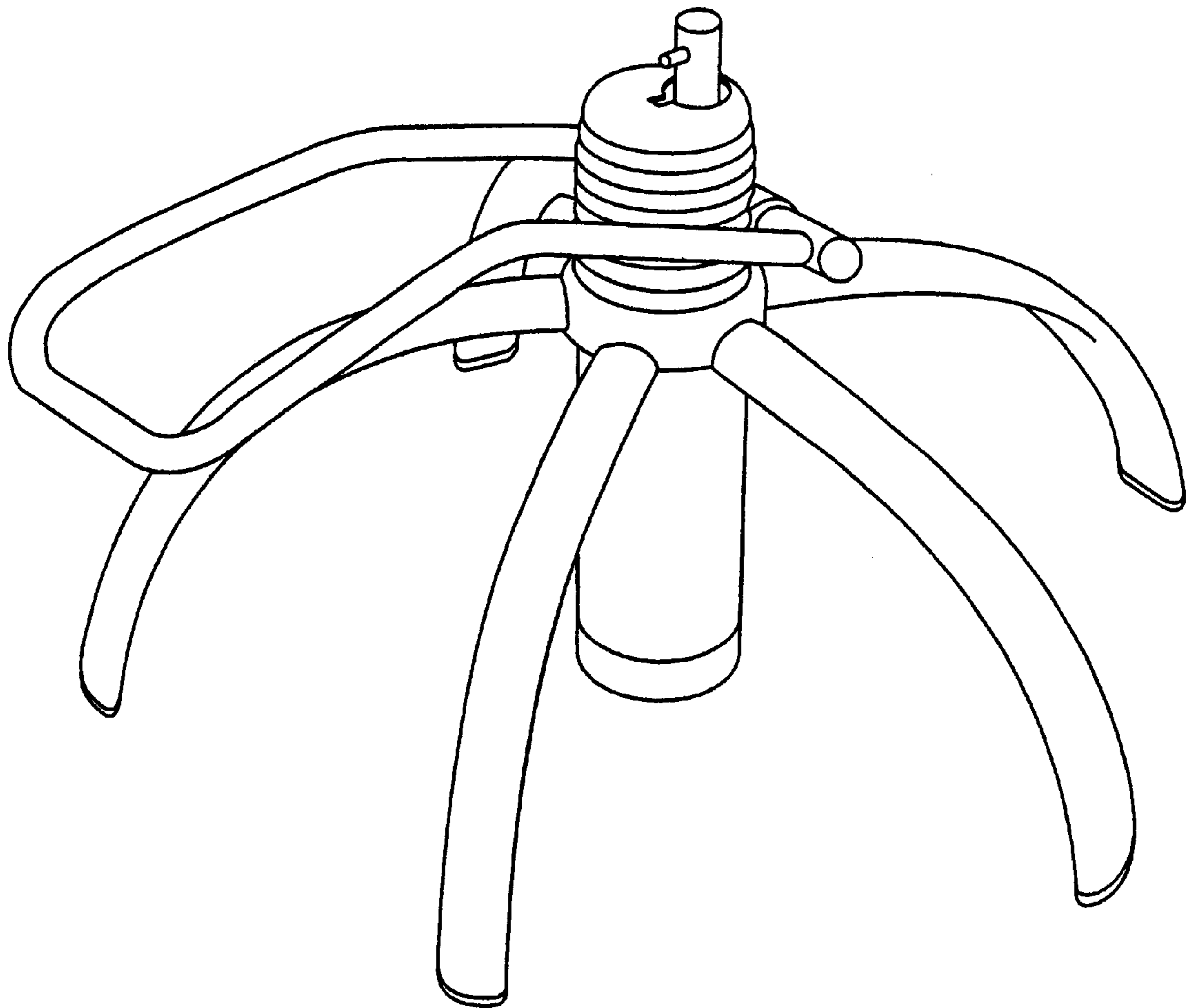


Fig.8

