



US00D447649B1

(12) **United States Design Patent**
Mason

(10) **Patent No.:** **US D447,649 S**

(45) **Date of Patent:** **** Sep. 11, 2001**

(54) **BASE FOR A MERCHANDISE DISPLAY STAND**

(75) Inventor: **Timothy Mason**, Melville, NY (US)

(73) Assignee: **NDR Corp.**, Melville, NY (US)

(**) Term: **14 Years**

(21) Appl. No.: **29/117,294**

(22) Filed: **Jan. 21, 2000**

(51) **LOC (7) Cl.** **06-04**

(52) **U.S. Cl.** **D6/495**

(58) **Field of Search** D6/457, 495; D3/10;
D20/41; D26/93, 138, 142, 148; 248/158,
346.01, 910

D. 435,182 * 12/2000 Mason D6/457
2,448,413 * 8/1948 Borghesi 248/910
3,415,475 * 12/1968 Goodman 248/158

OTHER PUBLICATIONS

Sweet's General Building and Renovation 1993 Catalog;
Baartol Flagpoles p. 7, Style BA Flash Collar/Base.*
Sweet's General Building and Renovation 1993 Catalog;
EMC Banners and Flagpoles p. 2, Flash Collar.*

* cited by examiner

Primary Examiner—Dominic Simone

(74) *Attorney, Agent, or Firm*—Collard & Roe, P.C.

(57) **CLAIM**

The ornamental design for a base for a merchandise display stand, as shown and described.

(56) **References Cited**

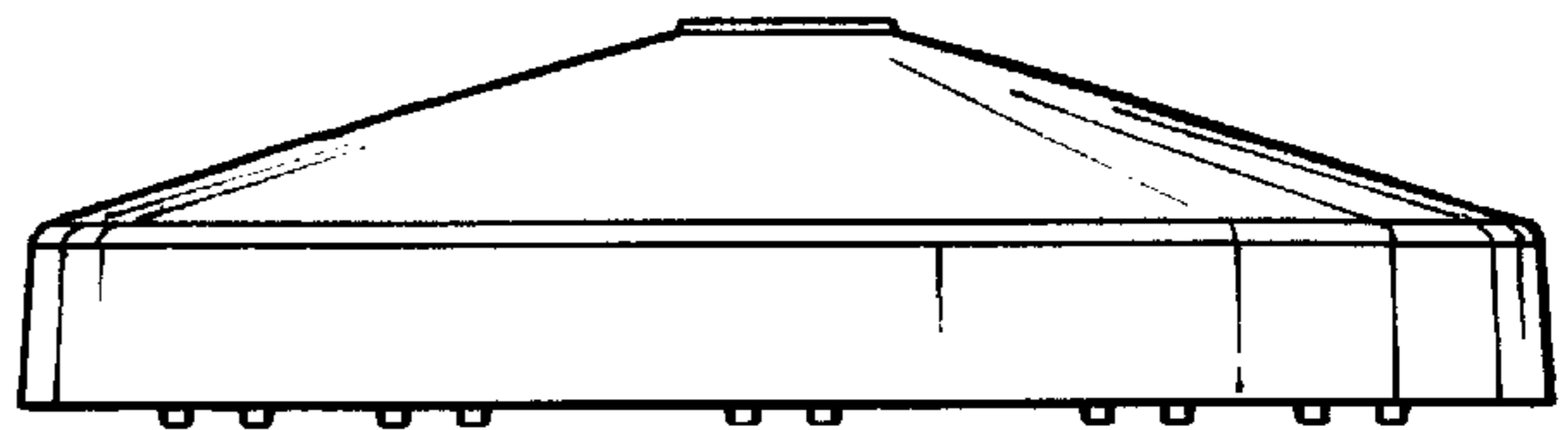
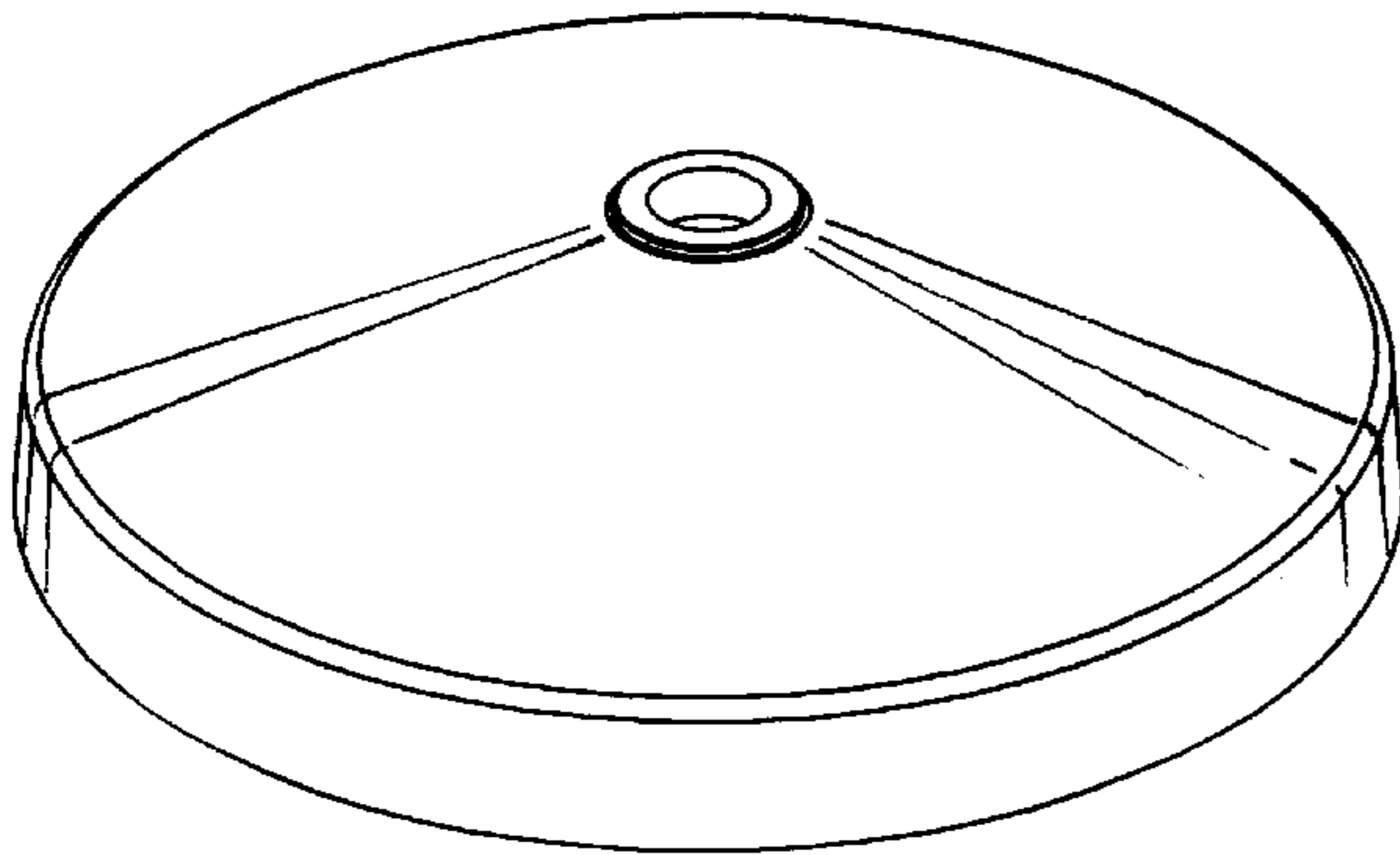
U.S. PATENT DOCUMENTS

D. 41,686 * 8/1911 Astruck D6/495
D. 83,873 * 4/1931 Moorehead D6/495
D. 241,698 * 10/1976 King, Jr. D6/495
D. 243,986 * 4/1977 O'Leary, Jr. D6/495
D. 281,300 * 11/1985 Gluck D6/495
D. 285,883 * 9/1986 Tegze D6/495
D. 315,997 * 4/1991 Bales et al. D6/495
D. 328,210 * 7/1992 Callon D6/495 X
D. 342,549 * 12/1993 Hofman D20/41
D. 350,041 * 8/1994 Schwarzli D6/495

DESCRIPTION

FIG. 1 shows a perspective view of the top of my design for a base for a merchandise display stand;
FIG. 2 shows a top view thereof;
FIG. 3 shows a side view thereof, with the opposite side being identical;
FIG. 4 shows side view thereof, rotated 90 degrees from FIG. 3, with the opposite side being identical;
FIG. 5 shows a perspective view of the bottom thereof; and,
FIG. 6 shows a bottom view thereof.

1 Claim, 6 Drawing Sheets



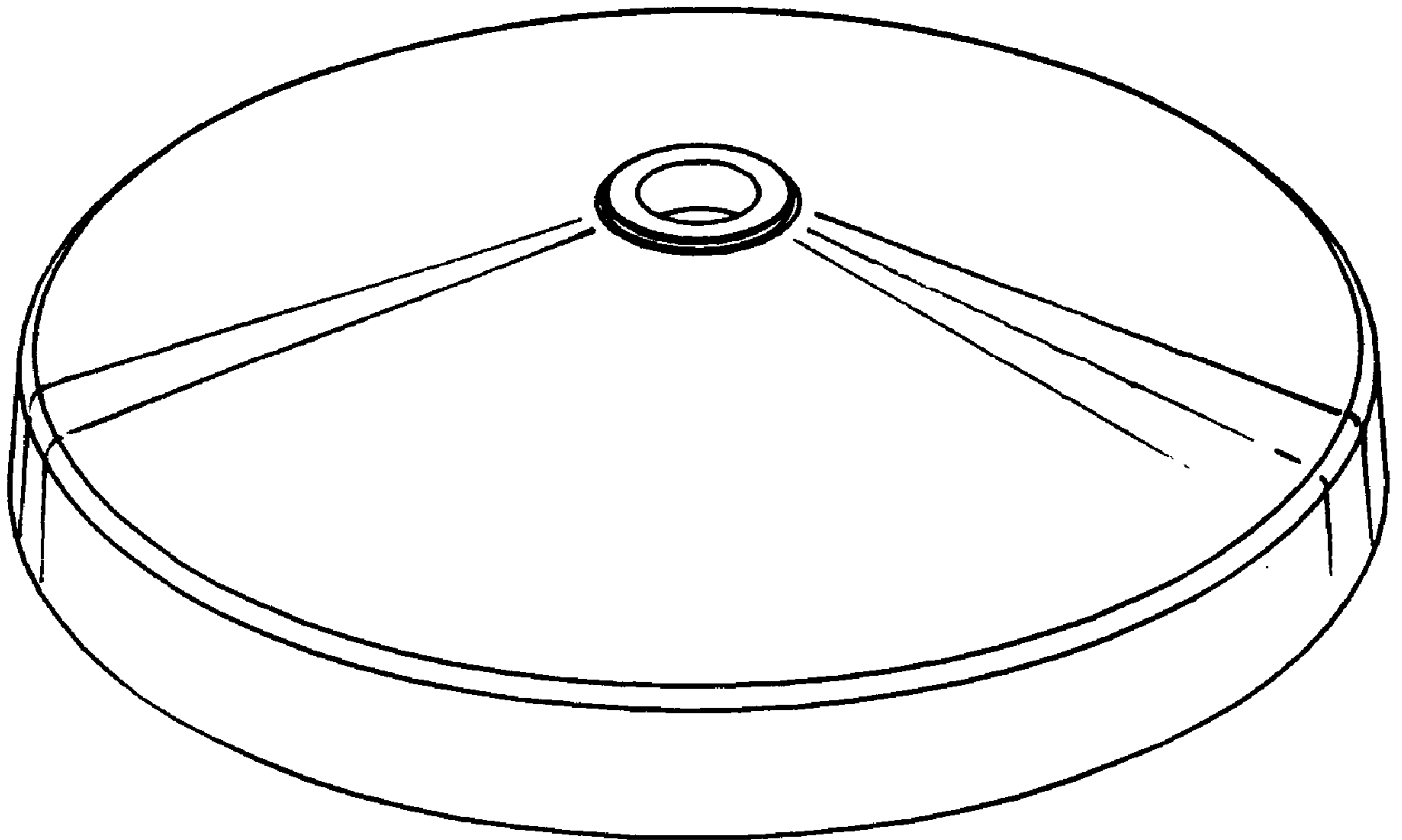


FIG. 1

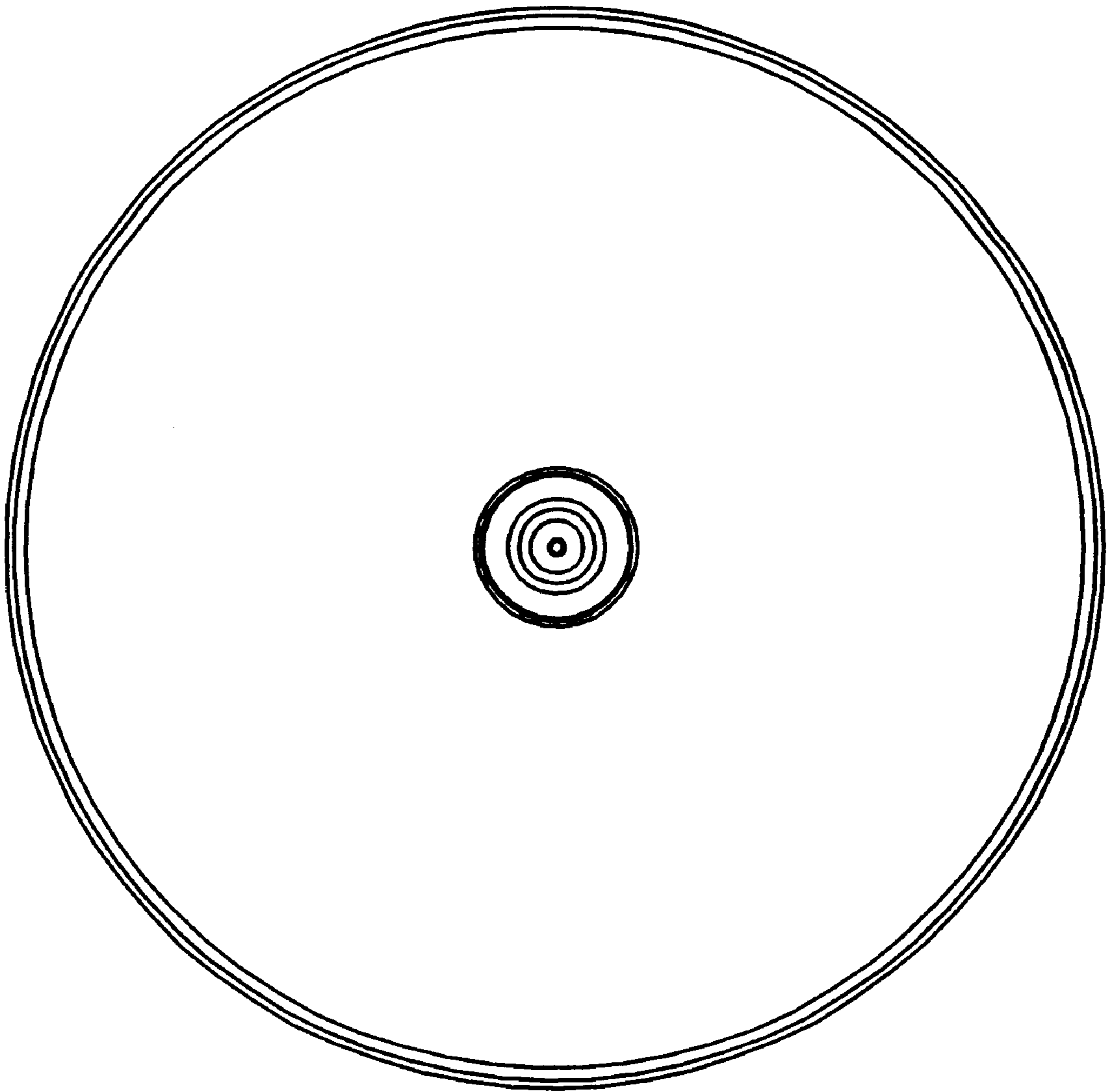


FIG. 2

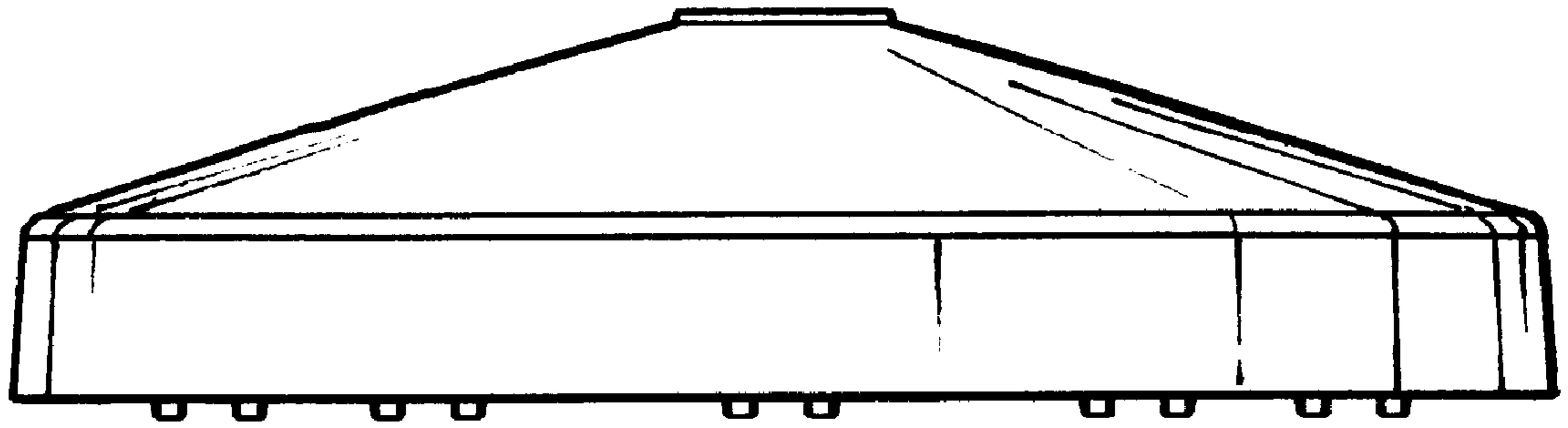


FIG. 3

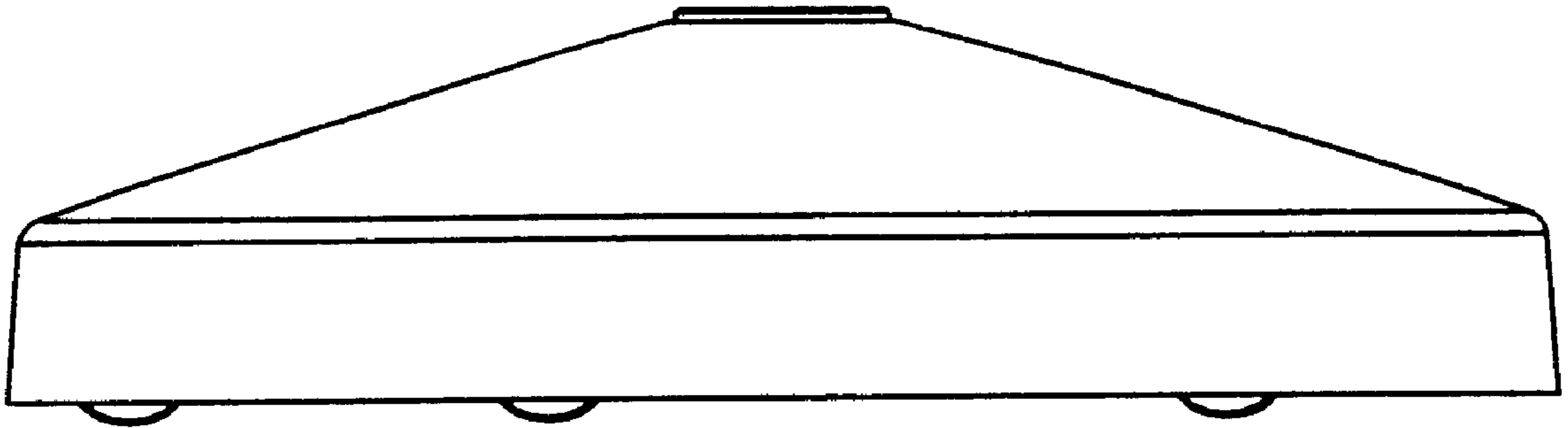


FIG. 4

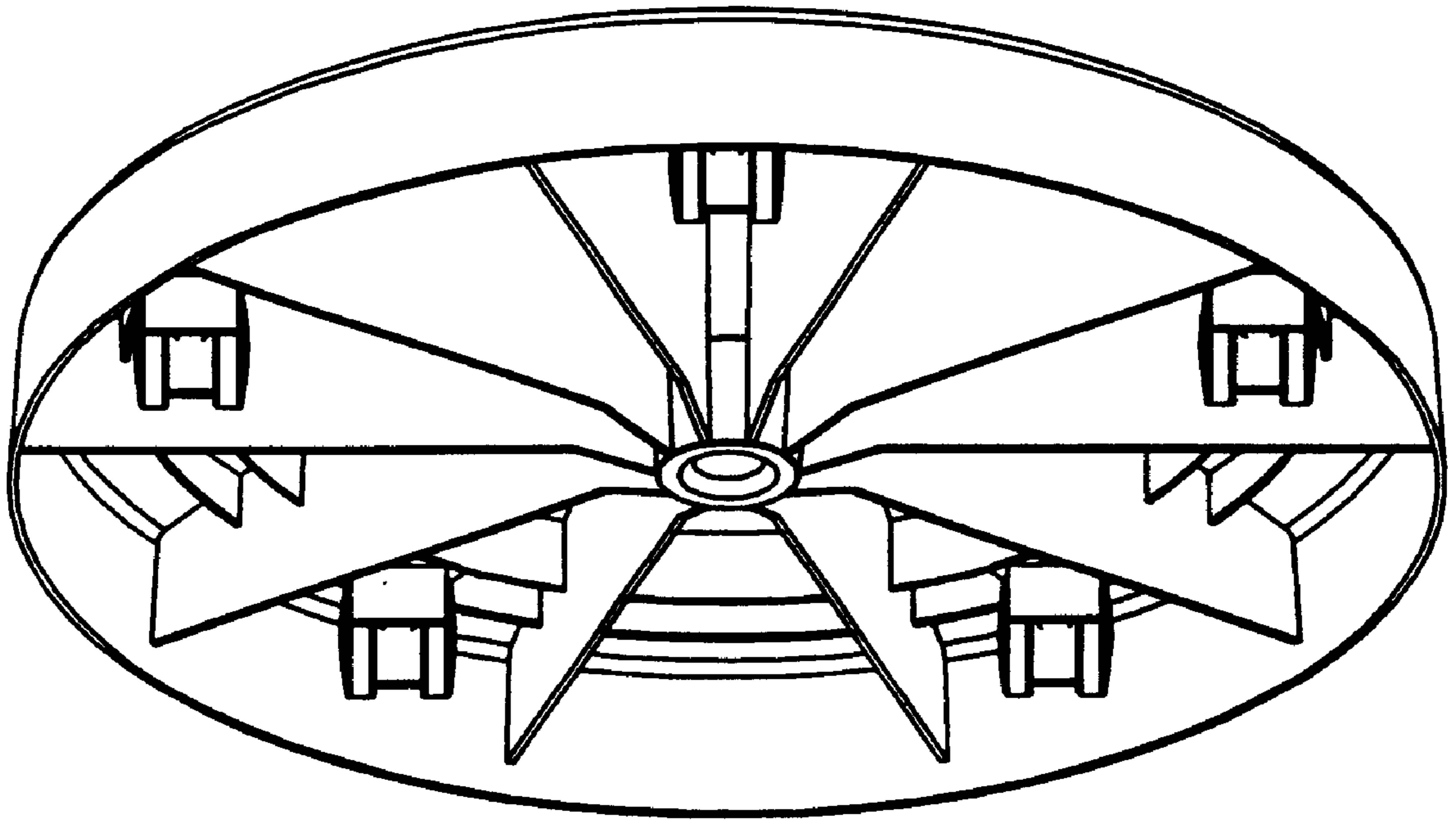


FIG. 5

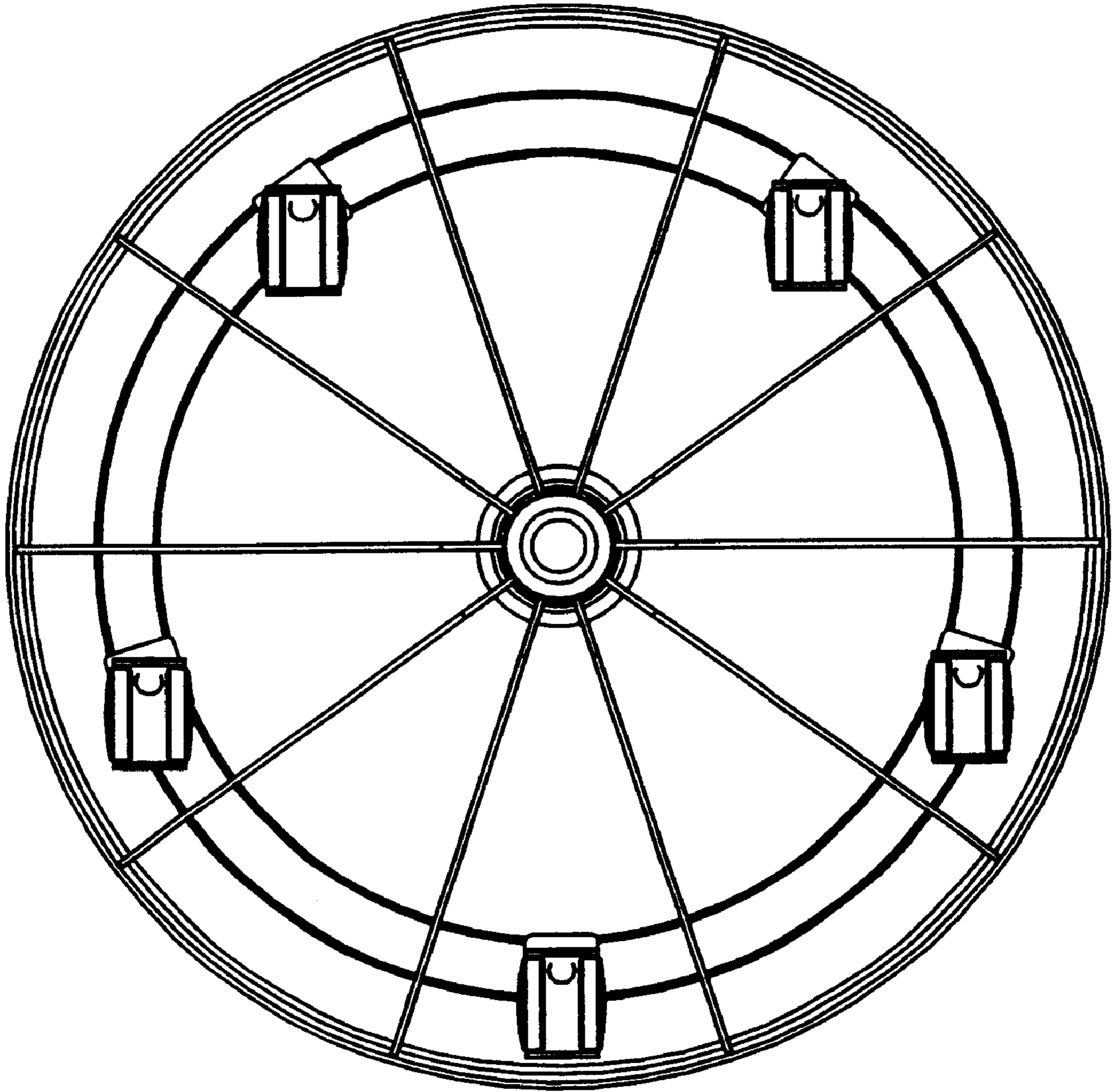


FIG. 6