



US00D447646B1

(12) **United States Design Patent**
Chang

(10) **Patent No.:** **US D447,646 S**

(45) **Date of Patent:** **** Sep. 11, 2001**

(54) **DESK**

(76) **Inventor:** **Chien-Kuo Chang**, Fl. 10-2, No. 447,
Sec. 3, Wen-Hsin Rd., Taichung (TW)

(**) **Term:** **14 Years**

(21) **Appl. No.:** **29/134,066**

(22) **Filed:** **Dec. 14, 2000**

(51) **LOC (7) Cl.** **06-03**

(52) **U.S. Cl.** **D6/426; D6/474**

(58) **Field of Search** D6/480-489, 495-499,
D6/425, 426, 474; 108/153, 155, 156, 157.1,
157.15, 157.16, 161, 50.01, 50.02, 64, 59,
134, 140, 93, 94; 248/188, 188.1; 312/208.1,
194-197

(56) **References Cited**

U.S. PATENT DOCUMENTS

D. 339,257 * 9/1993 Scharer et al. D6/474

D. 426,979 * 6/2000 Hawang D6/426
D. 429,580 * 8/2000 Janowitz D6/426
4,646,655 * 3/1987 Robolin 108/92

* cited by examiner

Primary Examiner—Janice E. Seeger

(74) *Attorney, Agent, or Firm*—Rosenberg, Klein & Lee

(57) **CLAIM**

The ornamental design for a desk, as shown and described.

DESCRIPTION

FIG. 1 is a perspective view of desk showing my new design;

FIG. 2 is a front elevational view thereof;

FIG. 3 is a rear elevational view thereof;

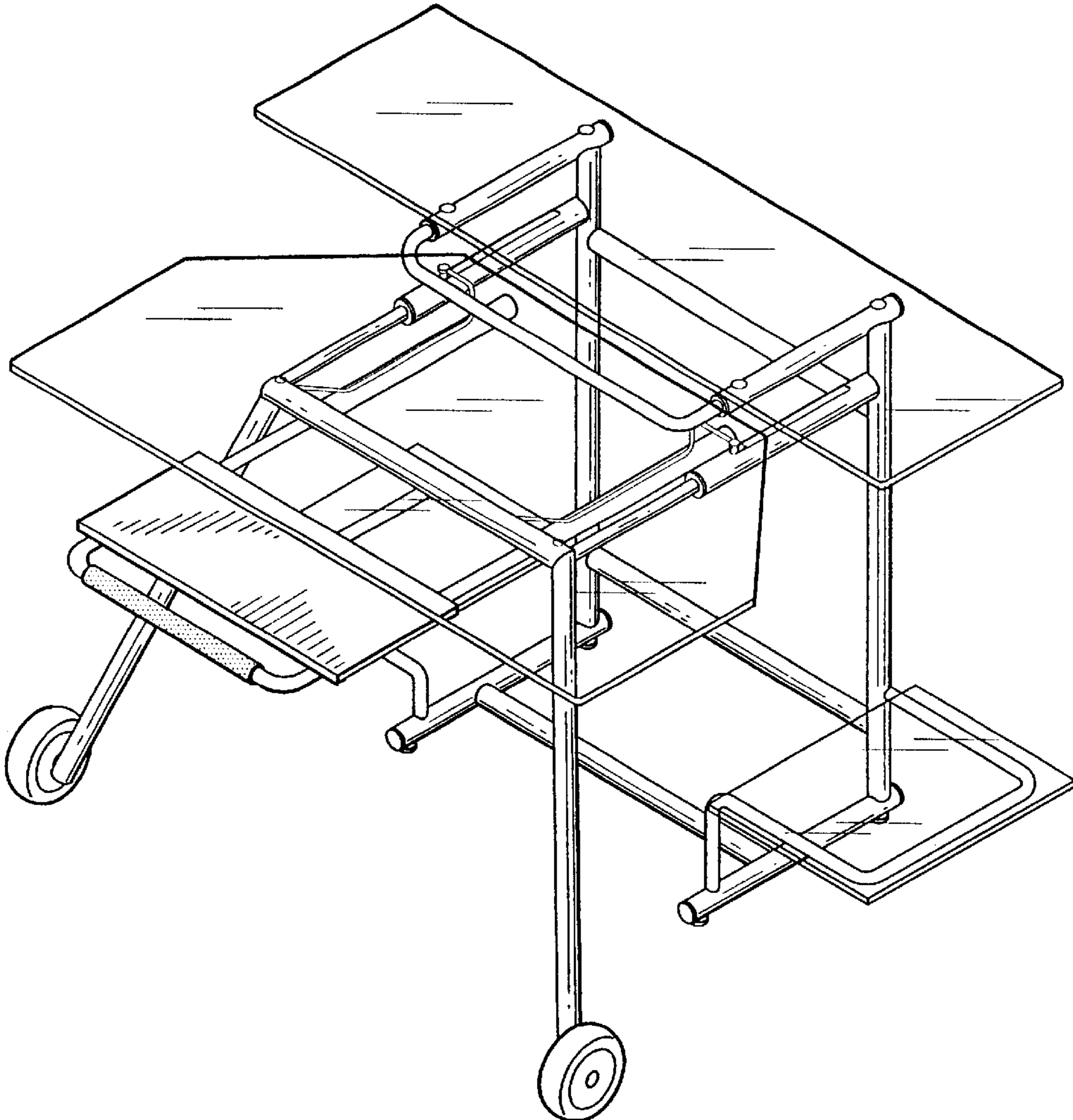
FIG. 4 is a left side elevational view thereof;

FIG. 5 is a right side elevational view thereof;

FIG. 6 is a top side elevational view thereof; and,

FIG. 7 is a bottom side elevational view thereof.

1 Claim, 7 Drawing Sheets



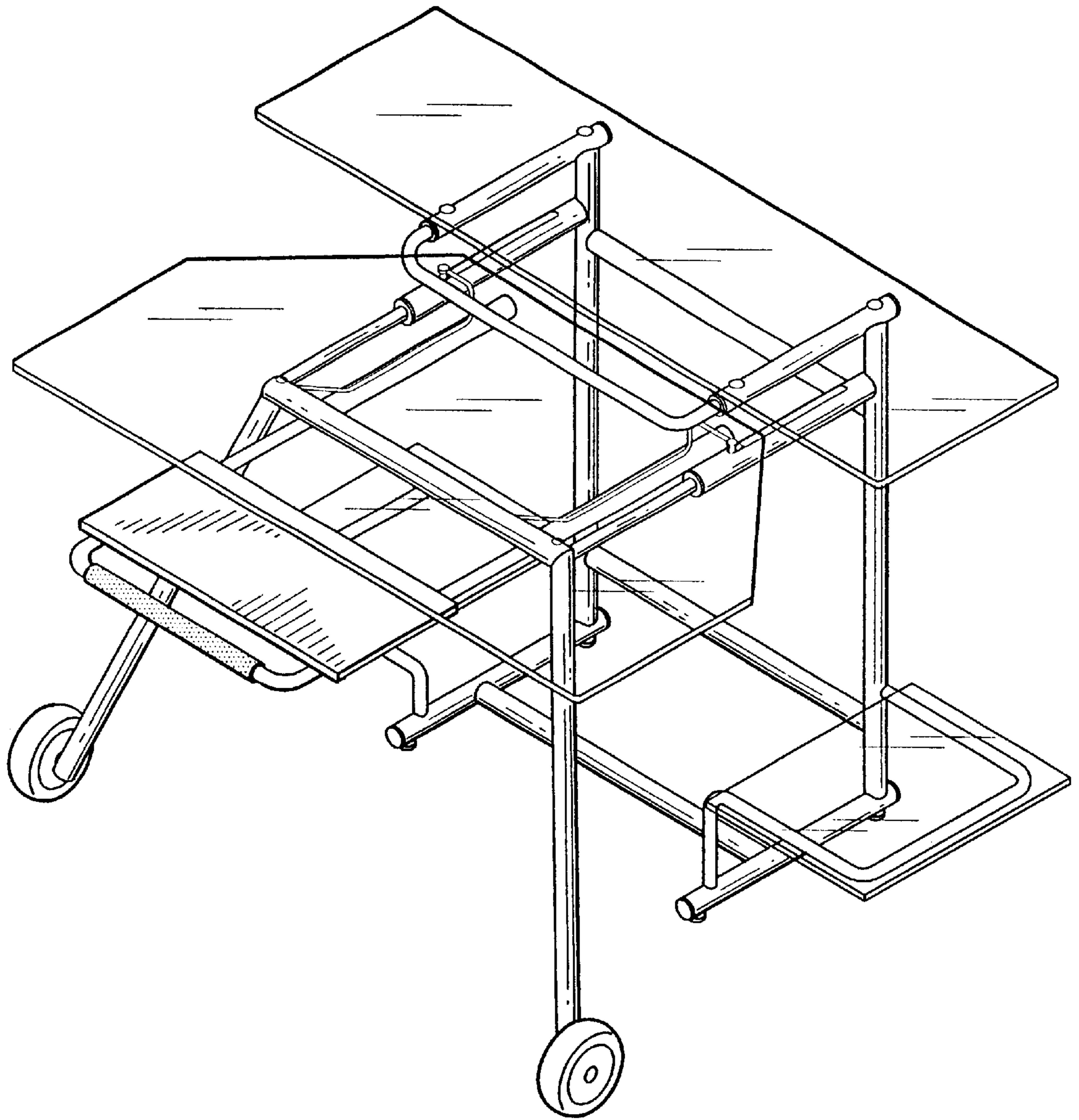


FIG. 1

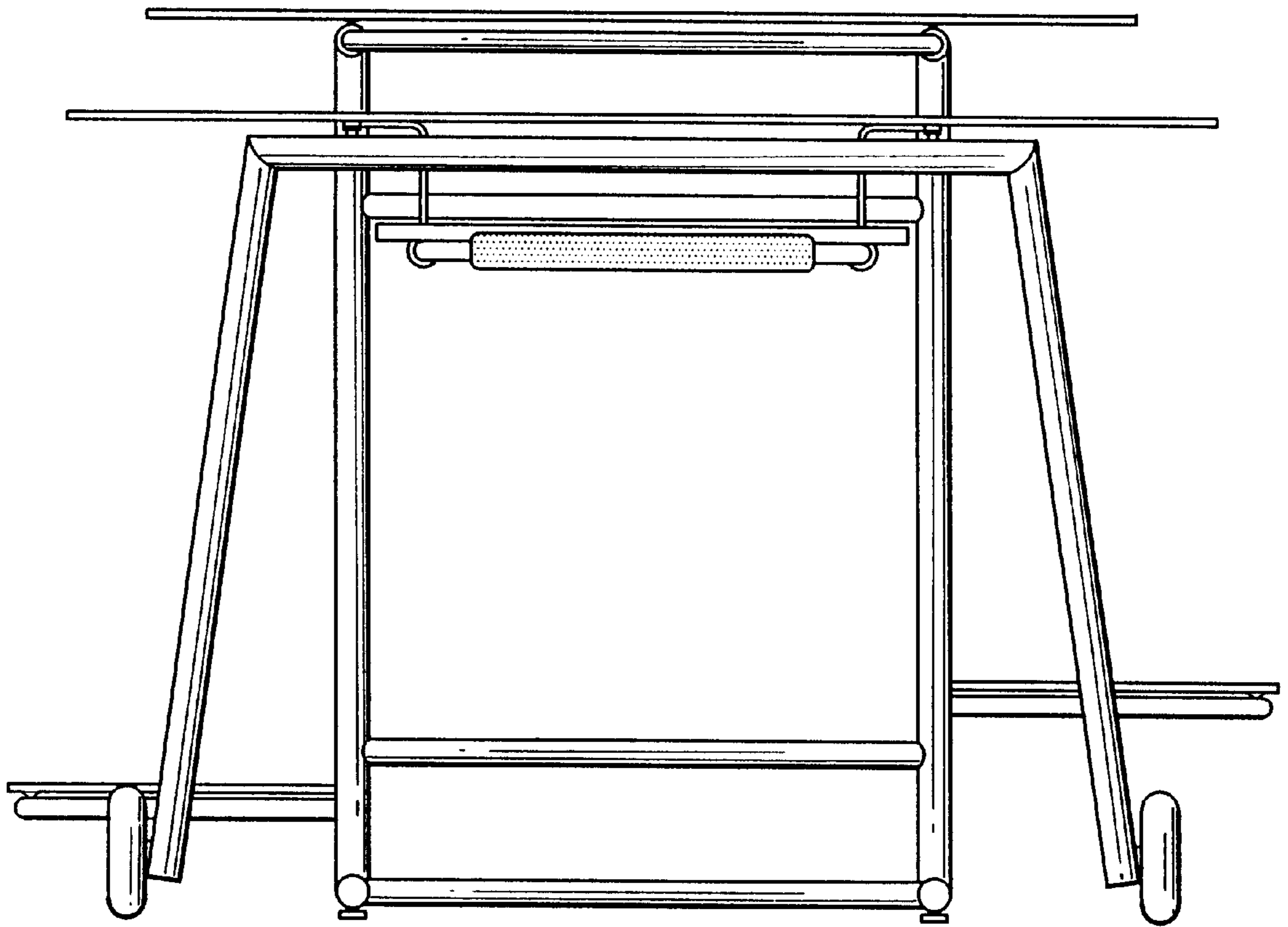


FIG. 2

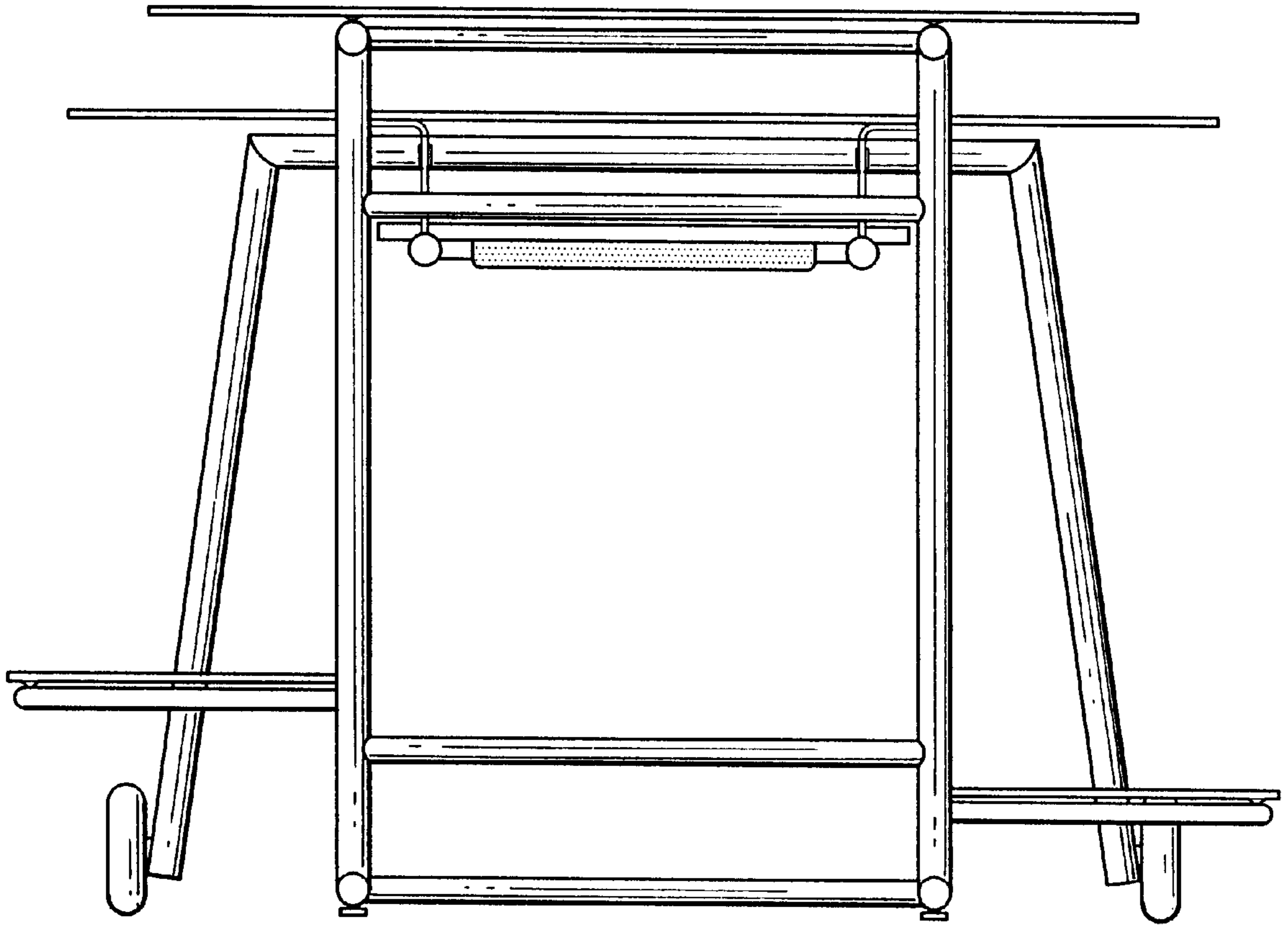


FIG. 3

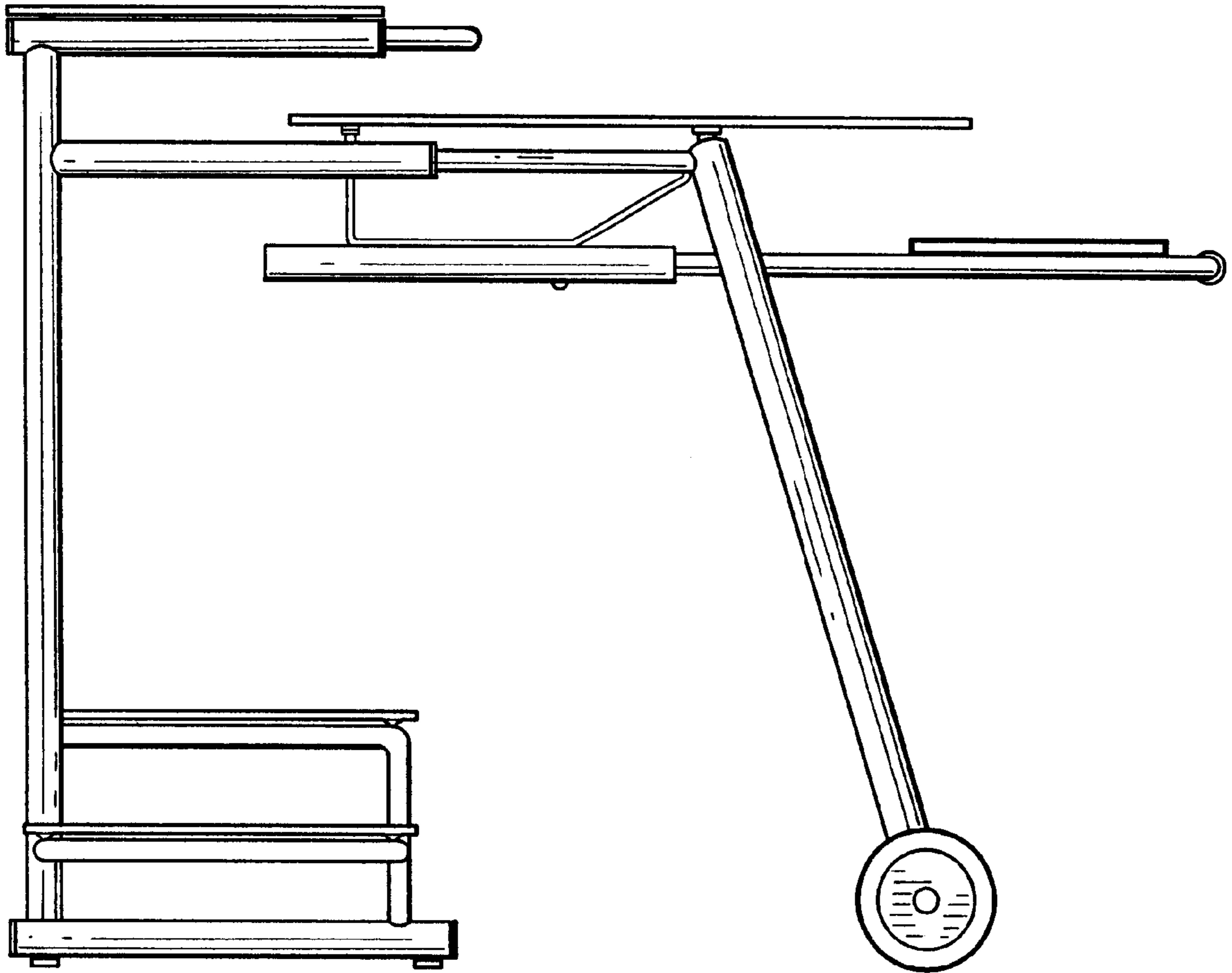


FIG. 4

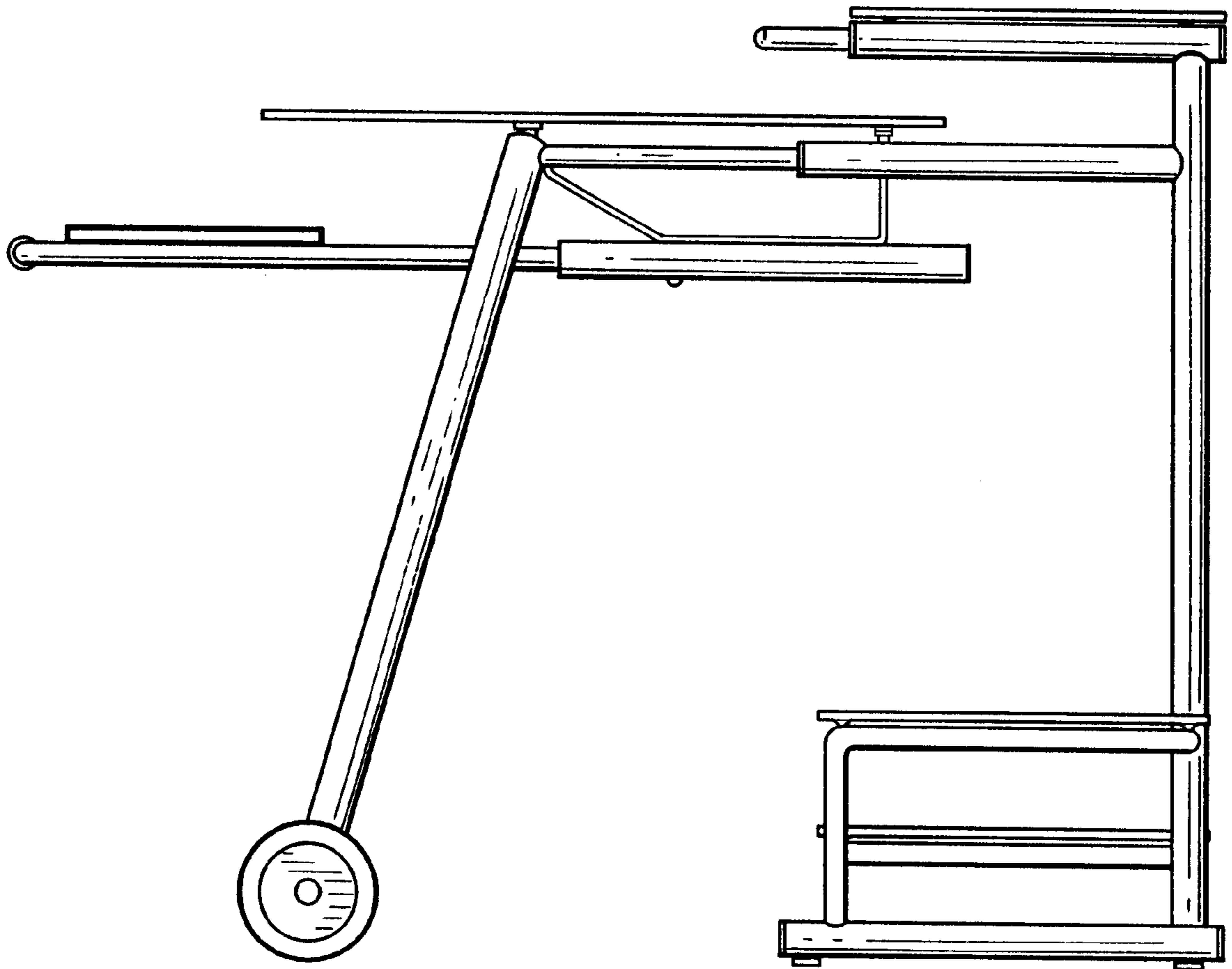


FIG. 5

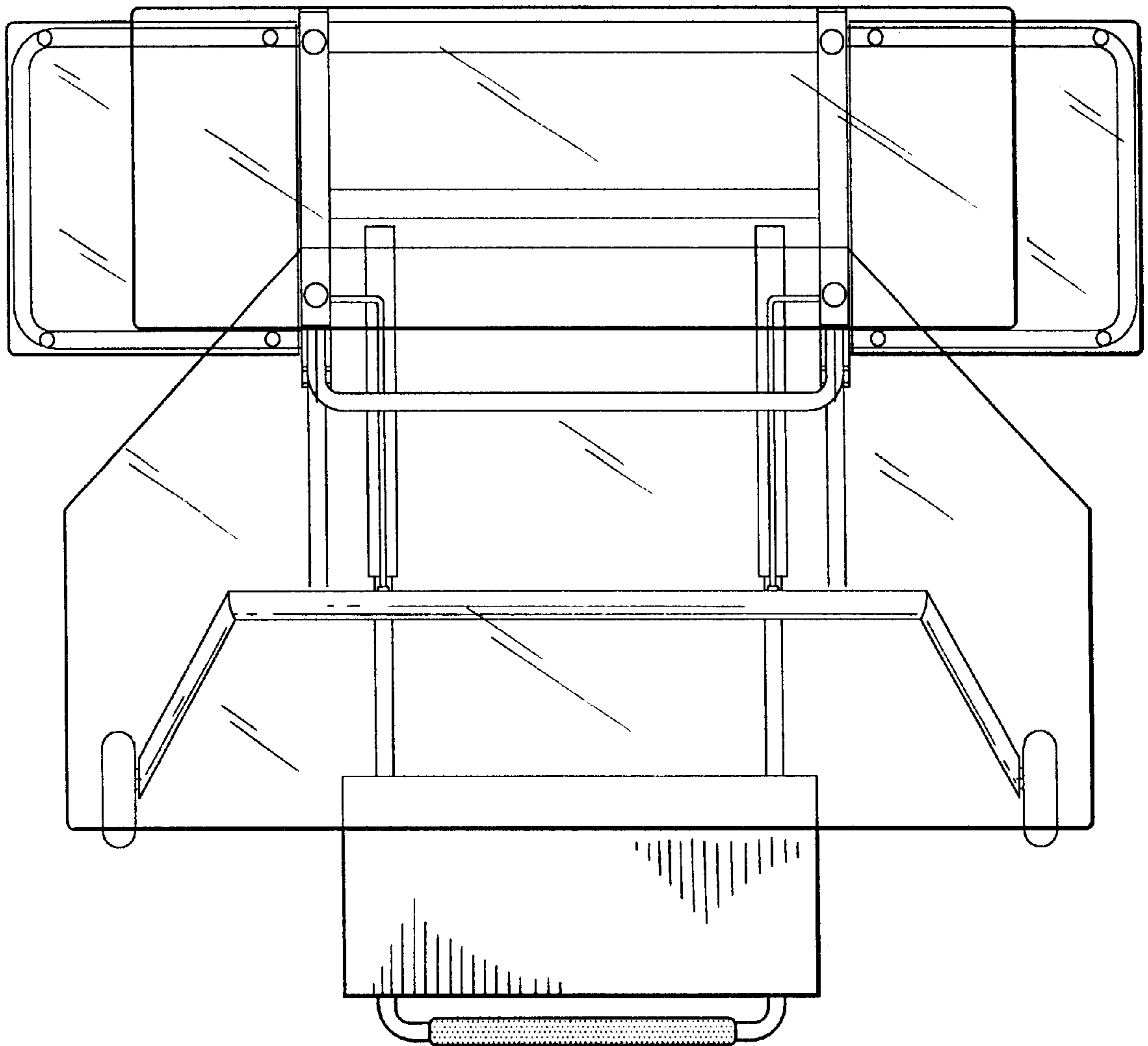


FIG. 6

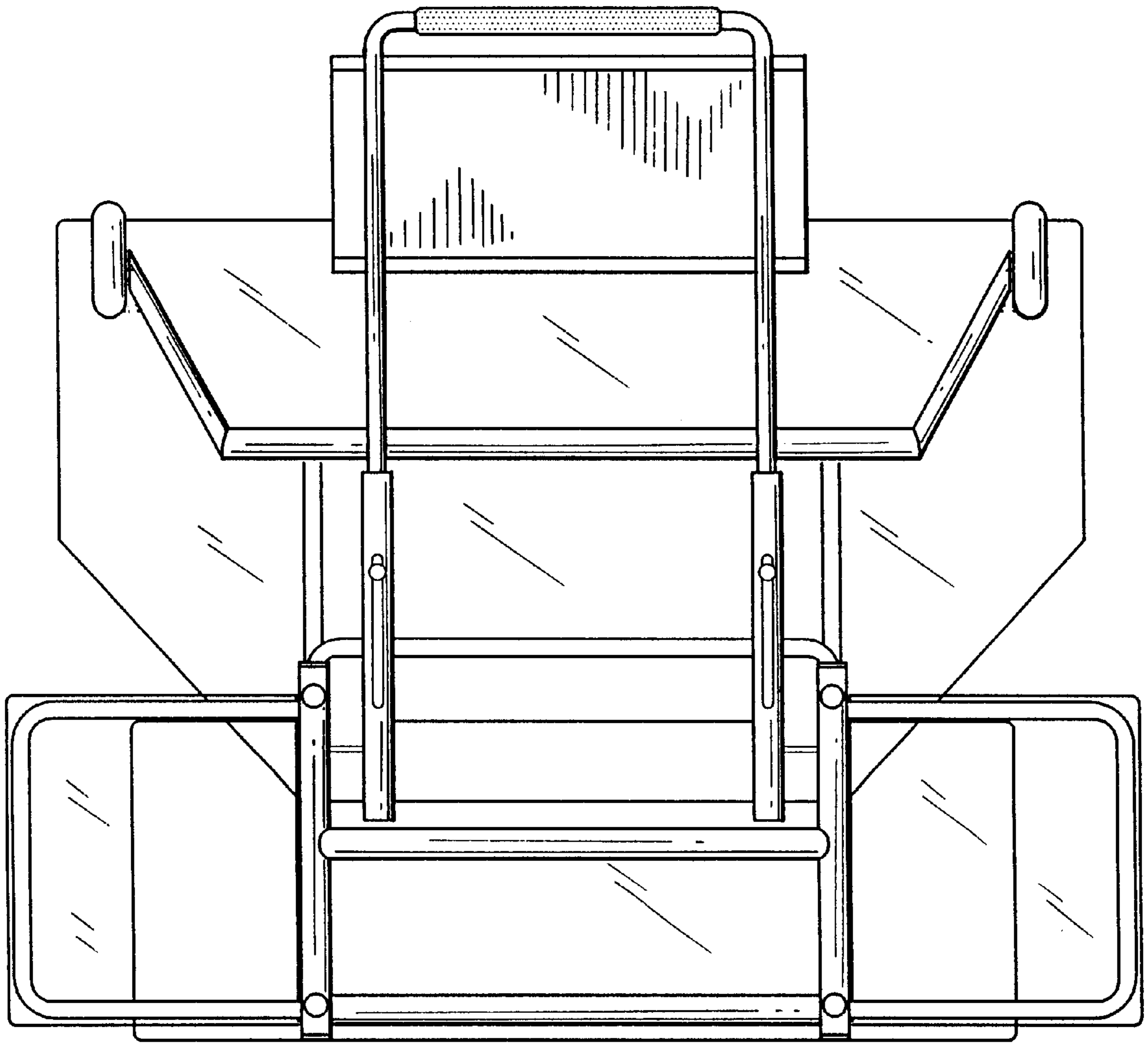


FIG. 7