



US00D447642B1

(12) **United States Design Patent**  
**Kimura**

(10) **Patent No.:** **US D447,642 S**

(45) **Date of Patent:** **\*\* Sep. 11, 2001**

(54) **CHAIR**

(75) Inventor: **Teruyuki Kimura**, Osaka (JP)

(73) Assignee: **Kokuyo Kabushiki Kaisha**, Osaka (JP)

(\*\*) Term: **14 Years**

(21) Appl. No.: **29/124,228**

(22) Filed: **Jun. 2, 2000**

(30) **Foreign Application Priority Data**

Dec. 3, 1999 (JP) ..... 11-33456

(51) **LOC (7) Cl.** ..... **06-01**

(52) **U.S. Cl.** ..... **D6/368**

(58) **Field of Search** ..... D6/334, 335, 364,  
D6/368, 371, 381, 500-502; 297/232, 235,  
335, 354.1, 411.44, 411.45, 3, 188.06

(56) **References Cited**

**U.S. PATENT DOCUMENTS**

- D. 140,751 \* 4/1945 Jufe ..... D6/368
- D. 352,400 \* 11/1994 Yamazaki ..... D6/335
- D. 370,791 \* 6/1996 Yamazaki ..... D6/368
- D. 396,967 \* 8/1998 Yamazaki ..... D6/381
- D. 439,428 \* 3/2001 Mizuno ..... D6/368
- 2,807,315 \* 9/1957 Manne ..... 297/188.06
- 3,182,377 \* 5/1965 Hoven et al. .... 297/3
- 3,347,593 \* 10/1967 Walkinshaw ..... 297/335

5,681,085 \* 10/1997 Nahoul ..... 297/354.1

\* cited by examiner

*Primary Examiner*—Doris V. Coles

*Assistant Examiner*—Mimosa De

(74) *Attorney, Agent, or Firm*—Birch, Stewart, Kolasch & Birch, LLP

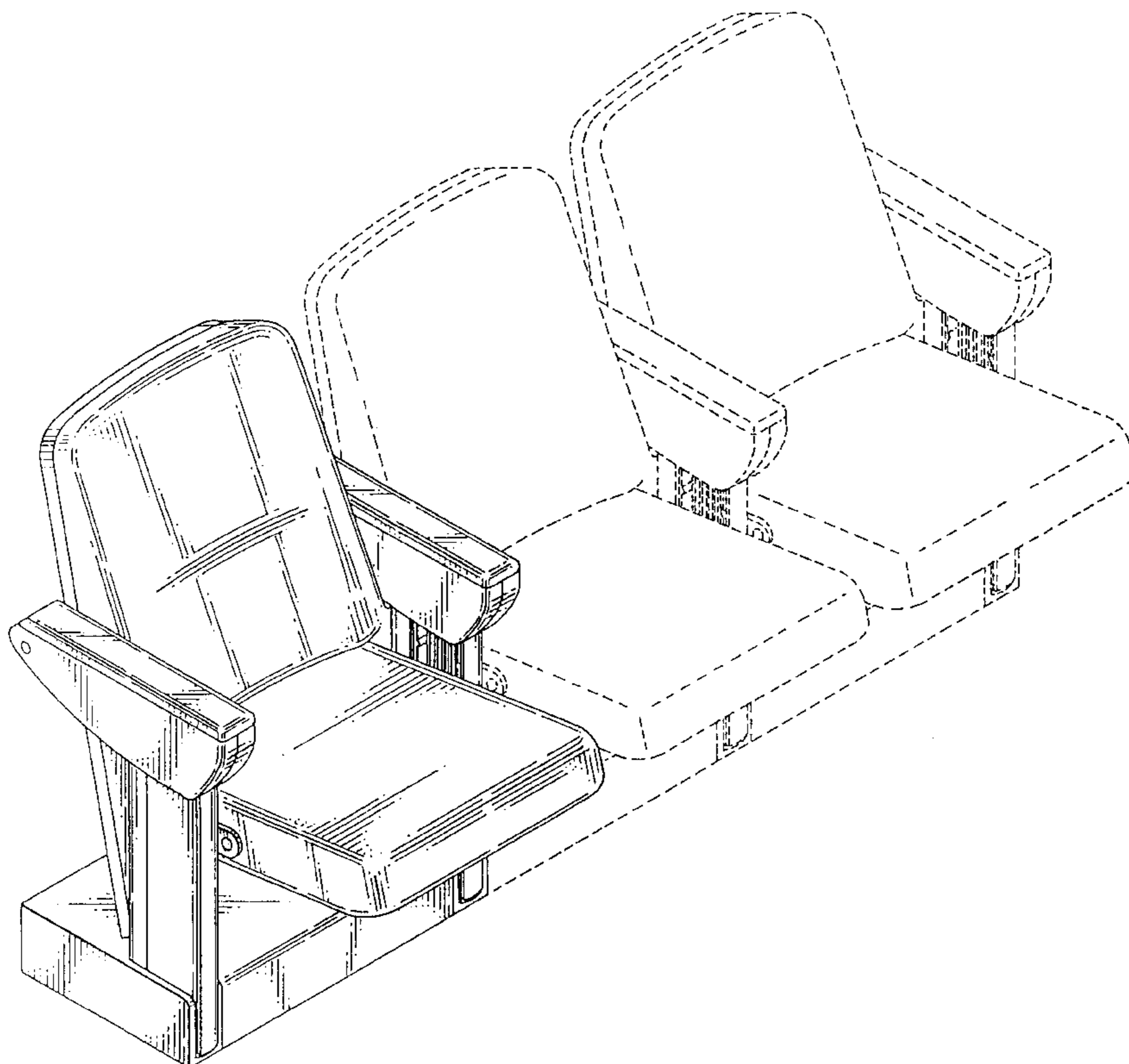
(57) **CLAIM**

The ornamental design for a chair, as shown and described.

**DESCRIPTION**

FIG. 1 is a perspective view of the top, front and left side of a chair showing my new design;  
 FIG. 2 is a front view thereof;  
 FIG. 3 is a rear view thereof;  
 FIG. 4 is a top plan view thereof;  
 FIG. 5 is a bottom view thereof;  
 FIG. 6 is a left side view thereof;  
 FIG. 7 is a right side view thereof;  
 FIG. 8 is a cross sectional view taken along line 8—8 in FIG. 2;  
 FIG. 9 is a front reference view thereof; and,  
 FIG. 10 is a right side elevation view taken along the direction of line 10—10 in FIG. 9.  
 The broken line showing of the seats is for illustrative purposes only and forms no part of the claimed design.

**1 Claim, 9 Drawing Sheets**



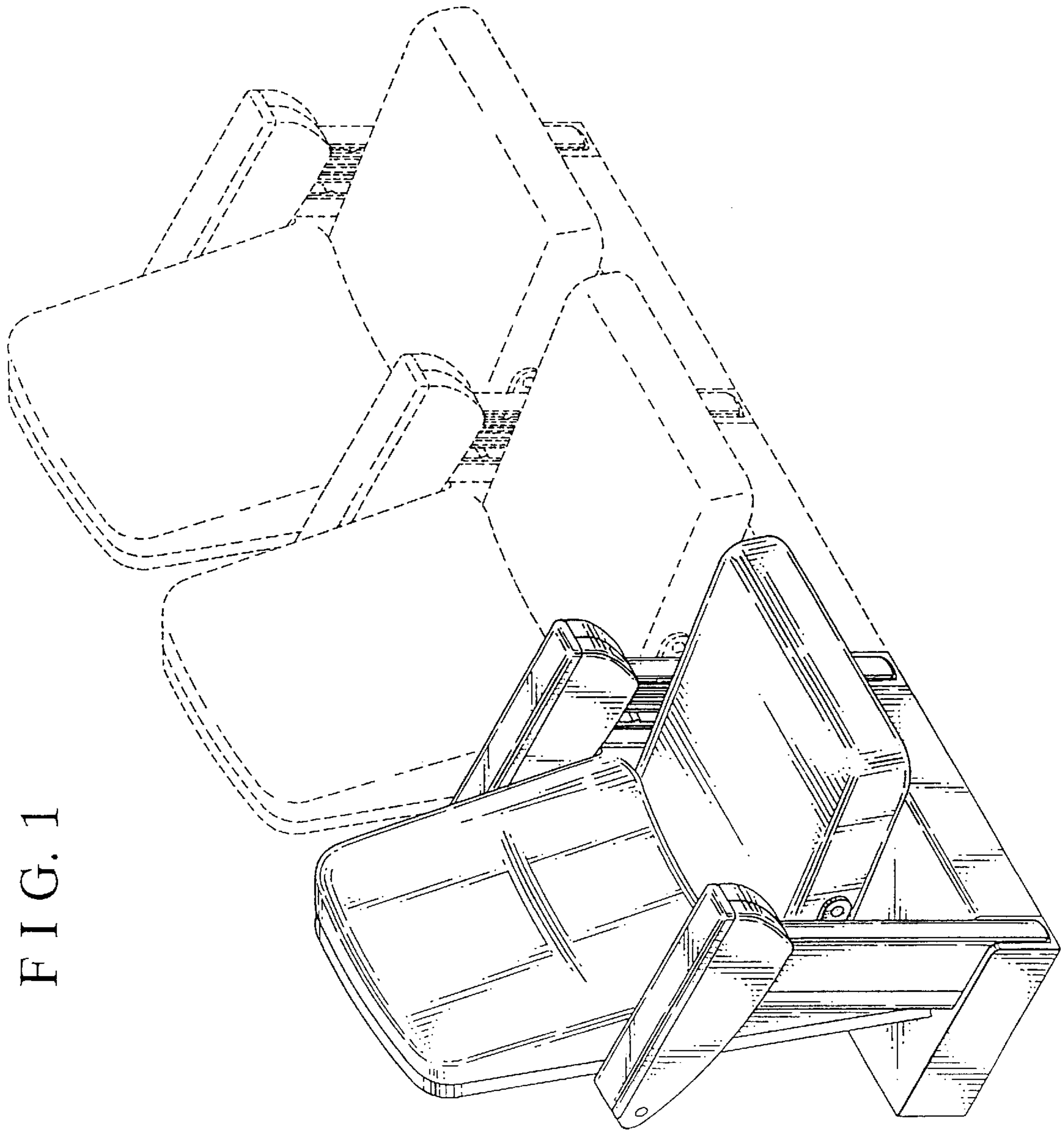


FIG. 1

FIG. 2

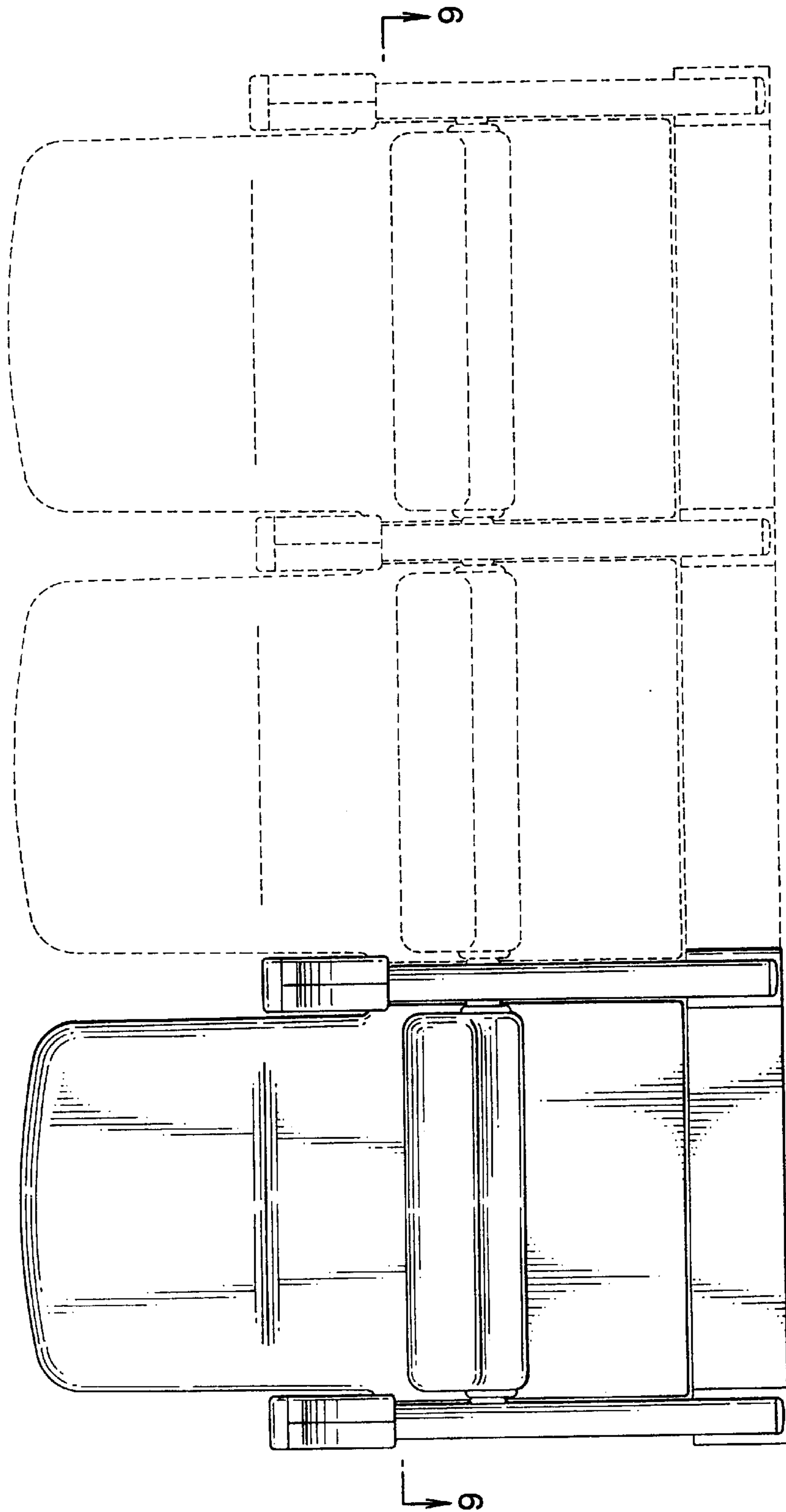


FIG. 3

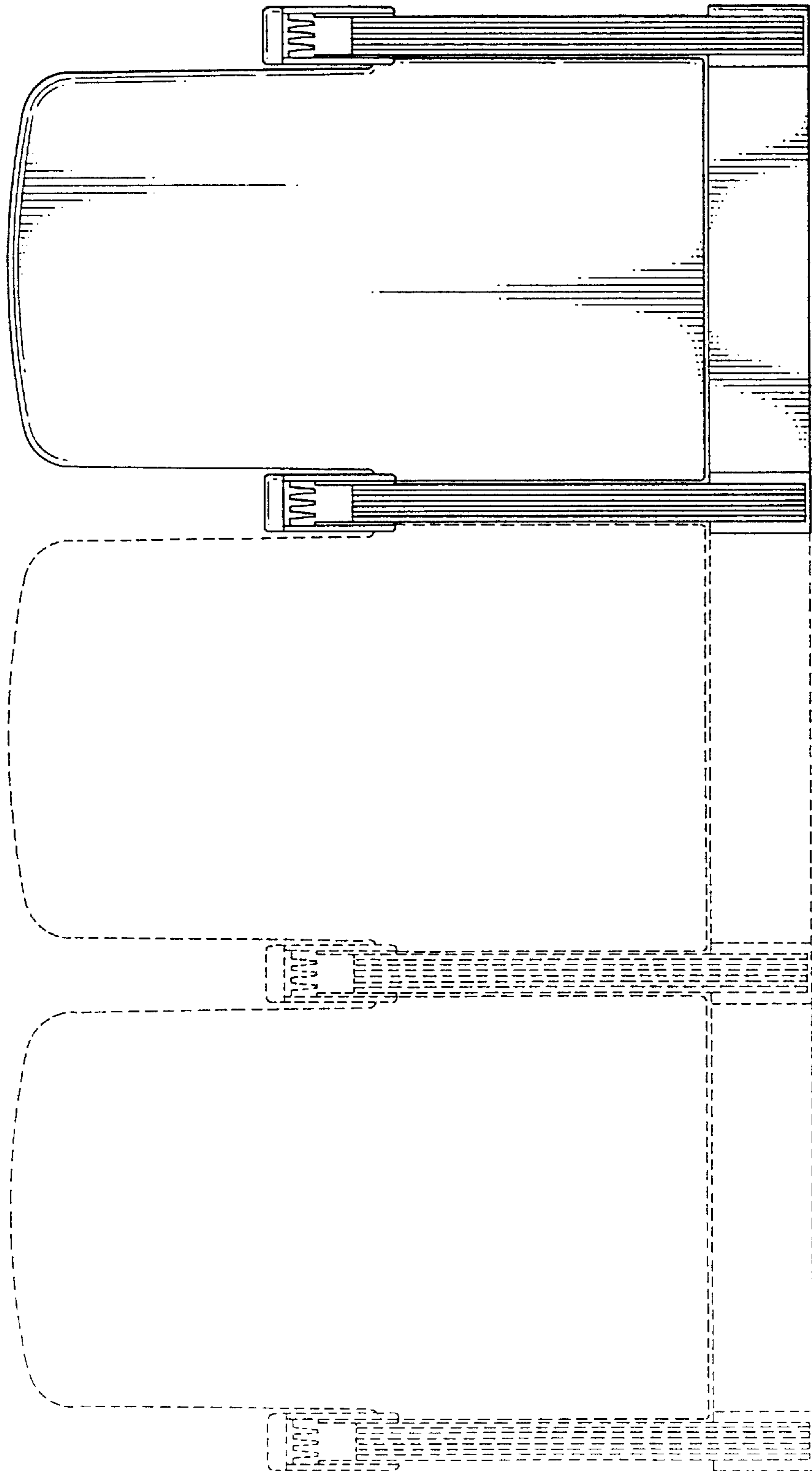


FIG. 4

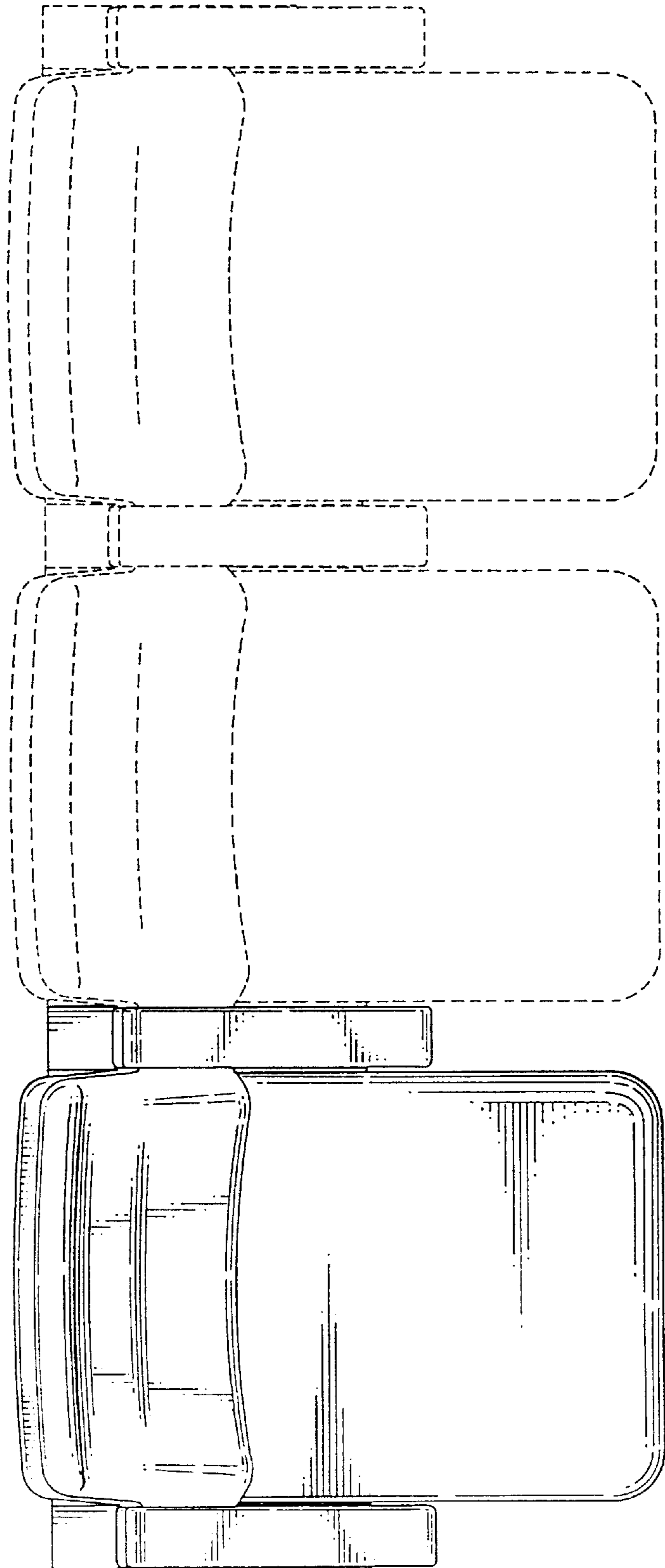


FIG. 5

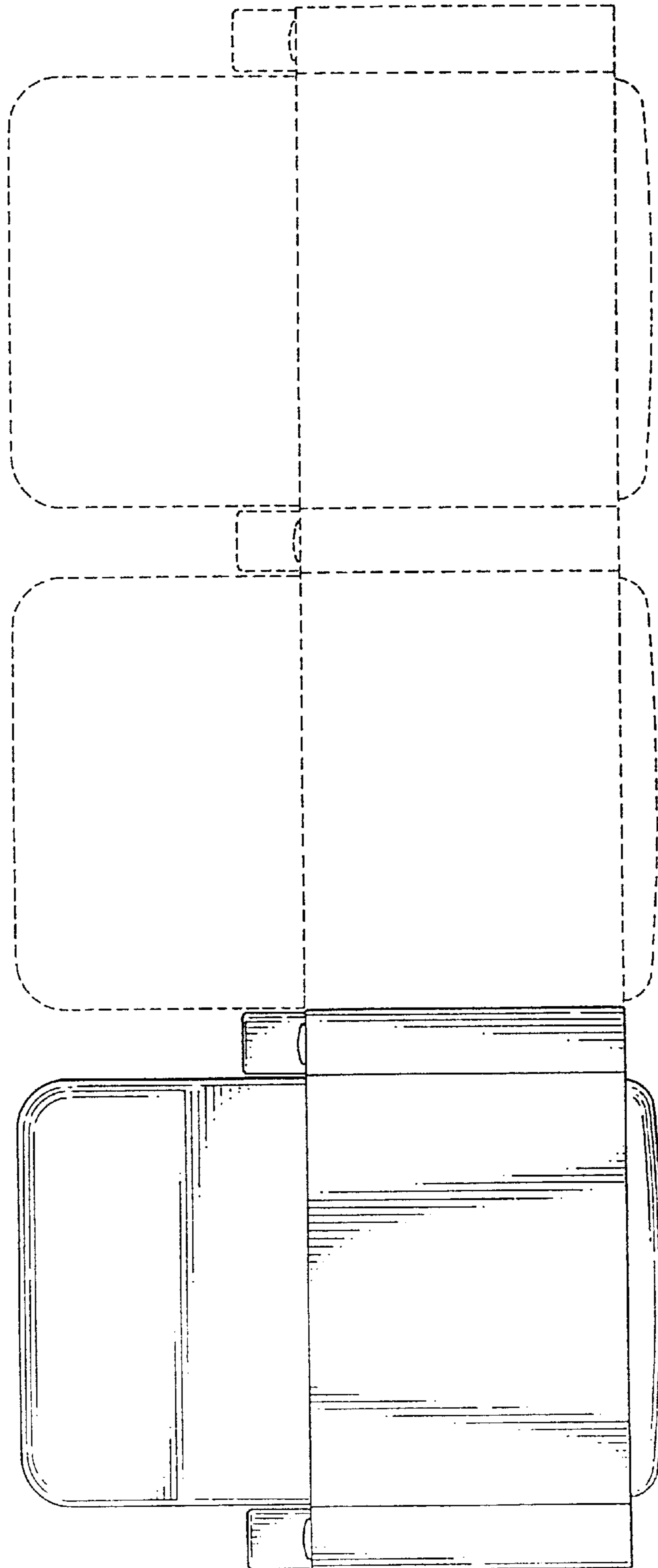


FIG. 7

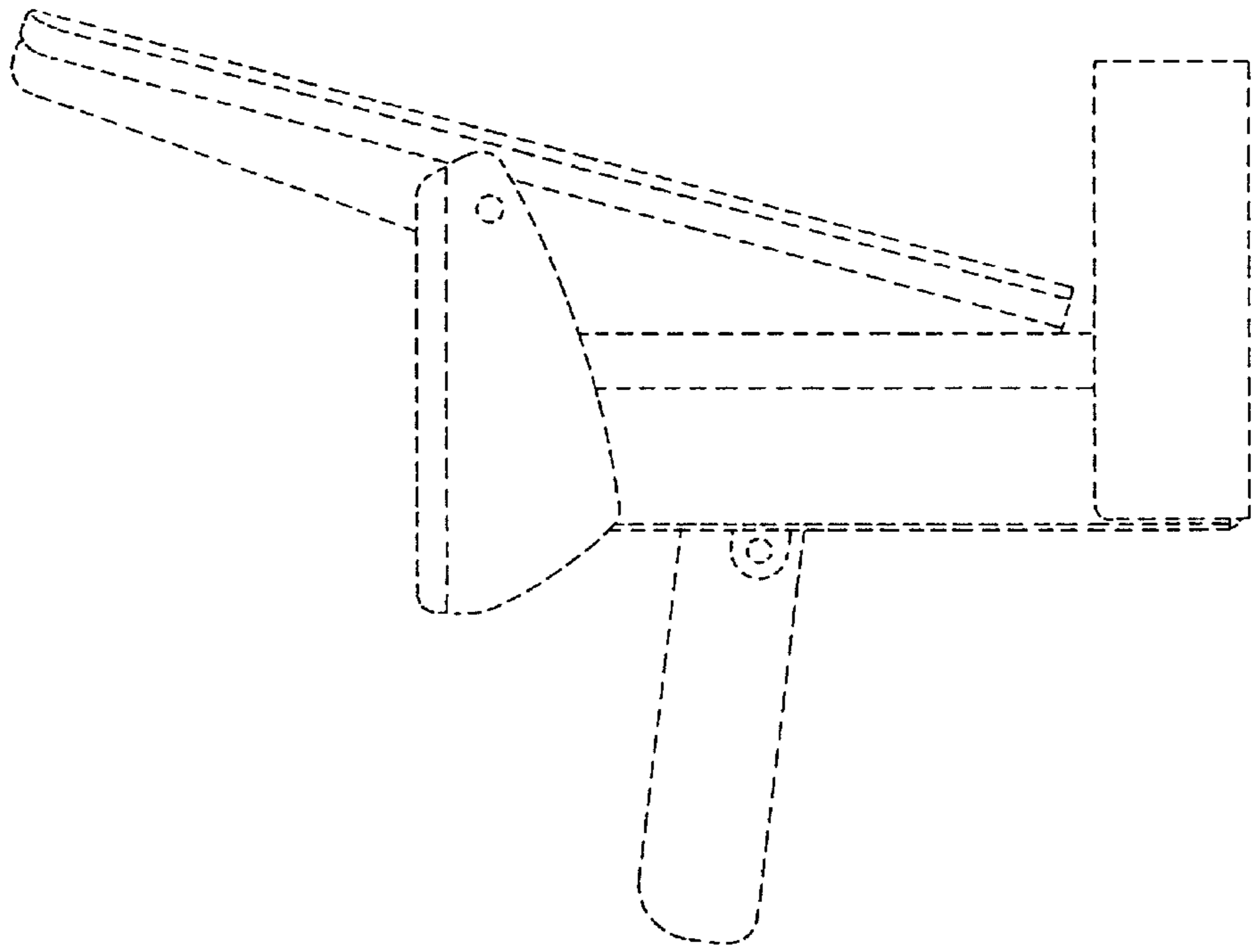


FIG. 6

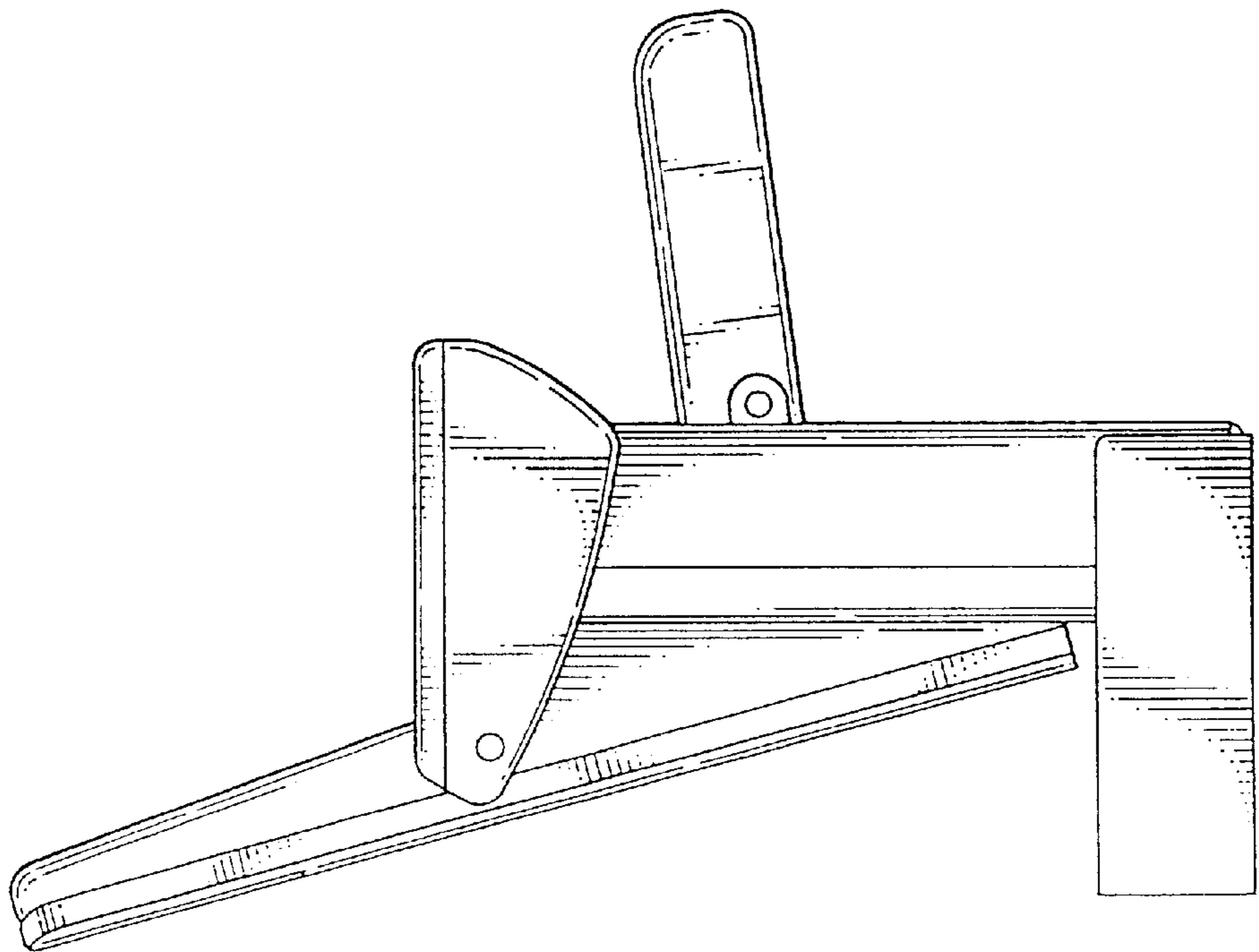


FIG. 8

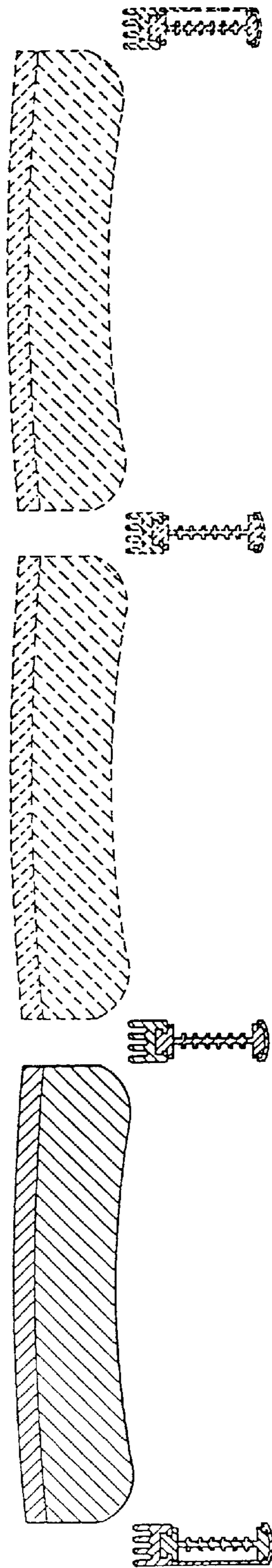




FIG. 9

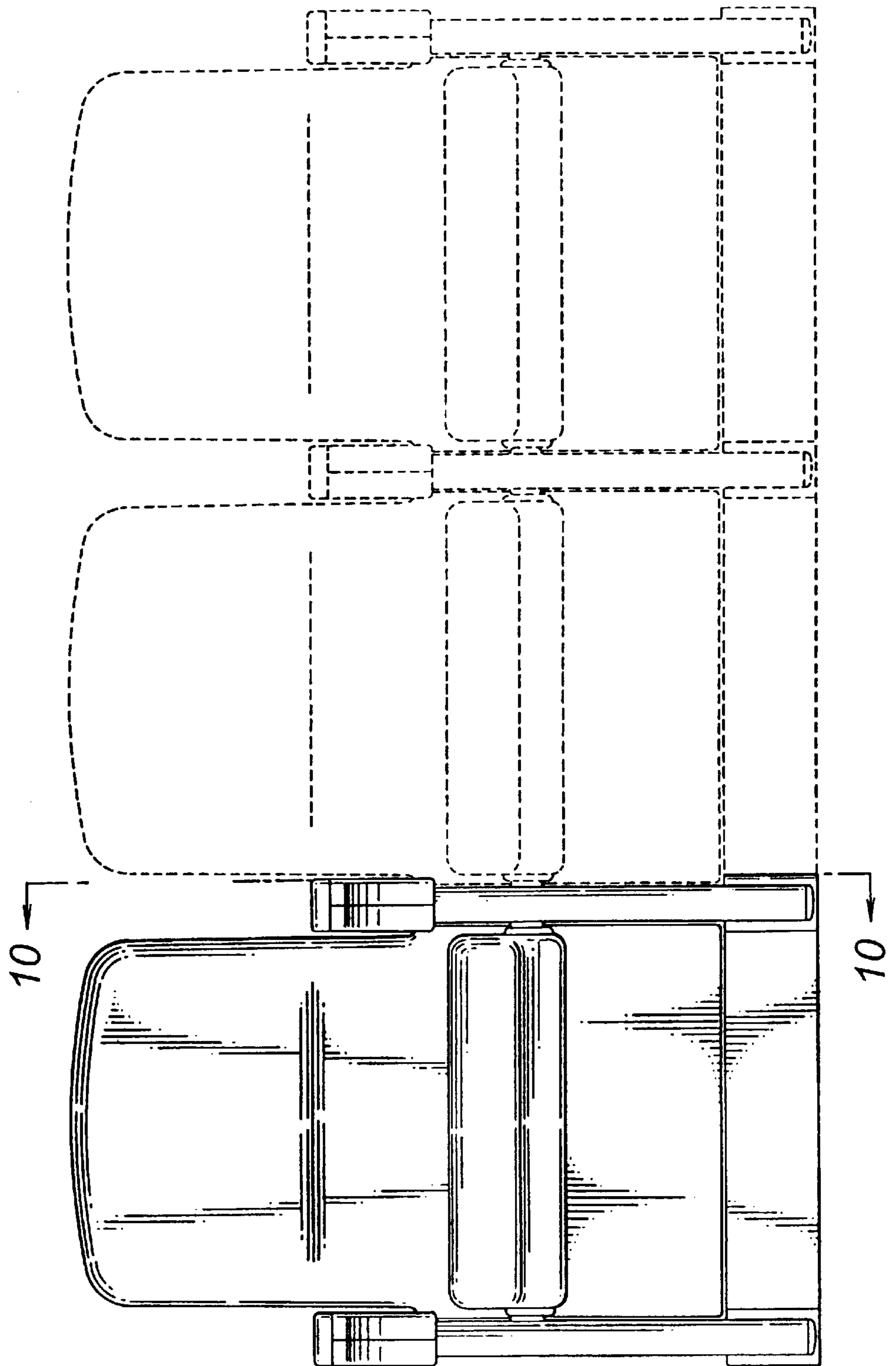


FIG. 10

