



US00D447640B1

(12) **United States Design Patent**  
**Ranspach**

(10) **Patent No.:** **US D447,640 S**

(45) **Date of Patent:** **\*\* Sep. 11, 2001**

(54) **DRAWING HORSE AND DRAFTING TABLE**

(76) **Inventor:** **Ernest J. Ranspach**, 434 NE. 8<sup>th</sup> St.,  
Boca Raton, FL (US) 33432

(\*\*) **Term:** **14 Years**

(21) **Appl. No.:** **29/140,213**

(22) **Filed:** **Apr. 14, 2001**

**Related U.S. Application Data**

(60) Continuation-in-part of application No. 29/133,557, filed on Dec. 1, 2000, now Pat. No. Des. 441,969, which is a division of application No. 29/115,117, filed on Dec. 8, 1999, now Pat. No. Des. 435,975.

(51) **LOC (7) Cl.** ..... **06-01**

(52) **U.S. Cl.** ..... **D6/338**

(58) **Field of Search** ..... D6/300, 335, 336,  
D6/338, 340, 349, 367, 420, 462; 108/6,  
29, 157.1, 157.11, 163, 177; 297/124, 135,  
156, 170, 172, 173, 174; D34/14, 21, 22

(56) **References Cited**

**U.S. PATENT DOCUMENTS**

|            |           |                     |        |
|------------|-----------|---------------------|--------|
| D. 61,355  | 8/1922    | Anderson .          |        |
| D. 140,281 | 2/1945    | Weller et al. ....  | D33/7  |
| D. 145,777 | * 10/1946 | Clachko .....       | D6/420 |
| D. 175,016 | 6/1955    | Cote .....          | D15/8  |
| D. 182,061 | 2/1958    | Cote .....          | D15/8  |
| D. 183,407 | 8/1958    | Schaefer .....      | D15/8  |
| D. 241,324 | 9/1976    | Wright .....        | D12/29 |
| D. 260,203 | 8/1981    | Arnold .....        | D6/17  |
| D. 275,913 | 10/1984   | Mulligan .....      | D6/301 |
| D. 310,603 | 9/1990    | Keller .....        | D6/349 |
| D. 335,566 | 5/1993    | Spriggs et al. .... | D34/14 |
| D. 427,790 | 7/2000    | Gargan .....        | D6/334 |
| D. 432,329 | * 10/2000 | Chang .....         | D6/420 |

|           |         |                     |         |
|-----------|---------|---------------------|---------|
| 647,527   | 4/1900  | Schleuning .        |         |
| 1,582,346 | 4/1926  | Oster .             |         |
| 1,951,960 | 3/1934  | Anduaga .....       | 155/124 |
| 2,515,474 | 7/1950  | Ryder .....         | 311/36  |
| 2,530,785 | 11/1950 | Rocca .....         | 155/124 |
| 2,696,415 | 12/1954 | Himelson .....      | 311/38  |
| 2,901,124 | 8/1959  | Gingher et al. .... | 211/149 |
| 4,921,302 | 5/1990  | Godwin .....        | 297/170 |

**OTHER PUBLICATIONS**

Artroom Equipment Catalog 1997 Illustration of Drawing Horse, copyright 1997 James Howard Co. (2 pgs.).  
Sax Catalog Circa 1998 Art Horse p. 271 (1 pg.).  
High Smith Catalog Circa 1998 Wilson Multimedia Workstation p. 77 (1 pg.).

\* cited by examiner

*Primary Examiner*—Doris V. Coles

*Assistant Examiner*—Mimosa De

(74) *Attorney, Agent, or Firm*—Robert C Kain, Jr.; Fleit Kain

(57) **CLAIM**

The ornamental design for the drawing horse and drafting table, as shown and described.

**DESCRIPTION**

FIG. 1 is a right side perspective view of the drawing horse and drafting table.

FIG. 2 is a front view of the table shown in FIG. 1;

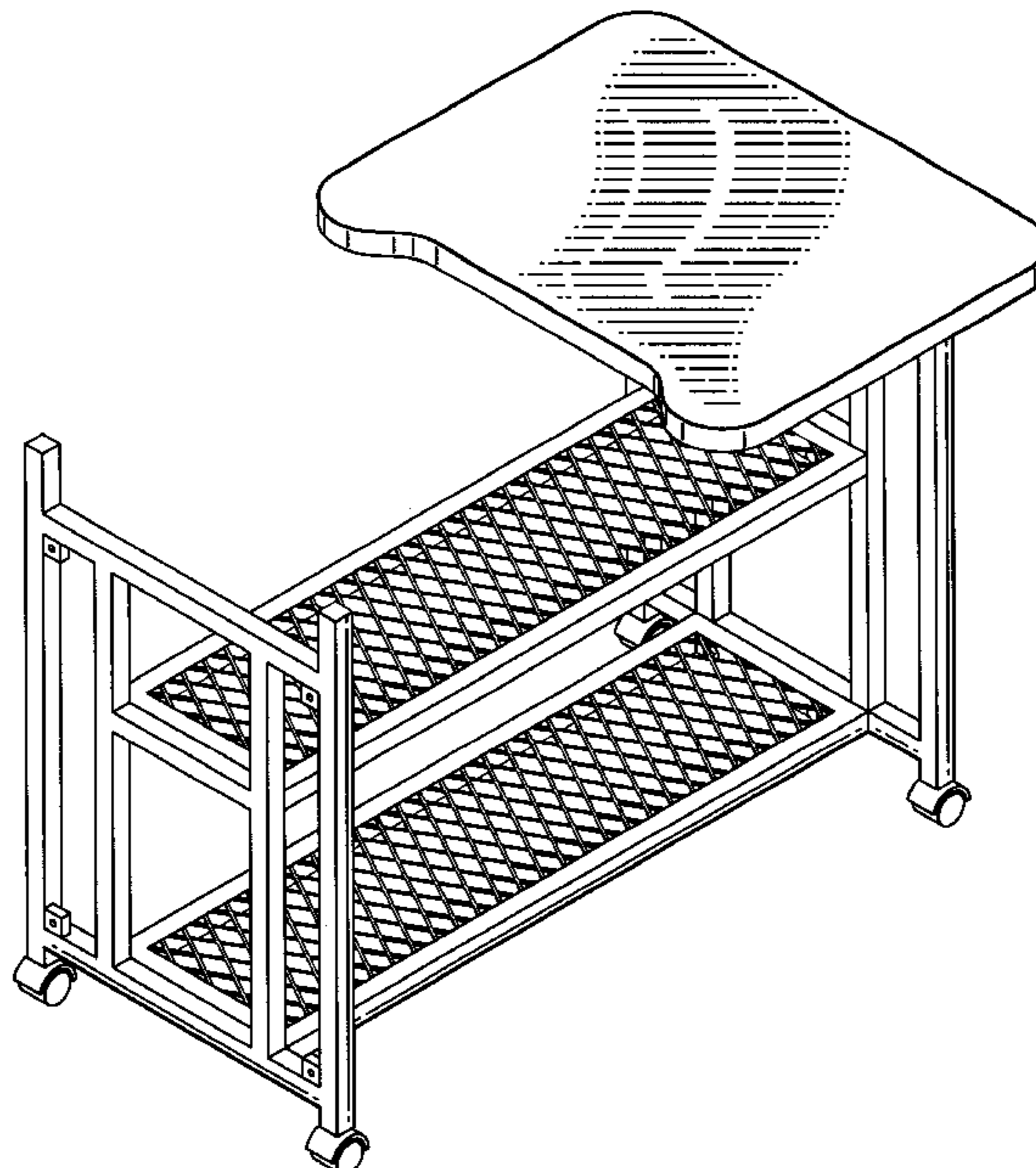
FIG. 3 is a rear view of the table shown in FIG. 1;

FIG. 4 is a right side view of the table shown in FIG. 1 (the left side view being identical to the right side view);

FIG. 5 is a top view of the table shown in FIG. 1; and,

FIG. 6 is a bottom view of the table shown in FIG. 1.

**1 Claim, 5 Drawing Sheets**



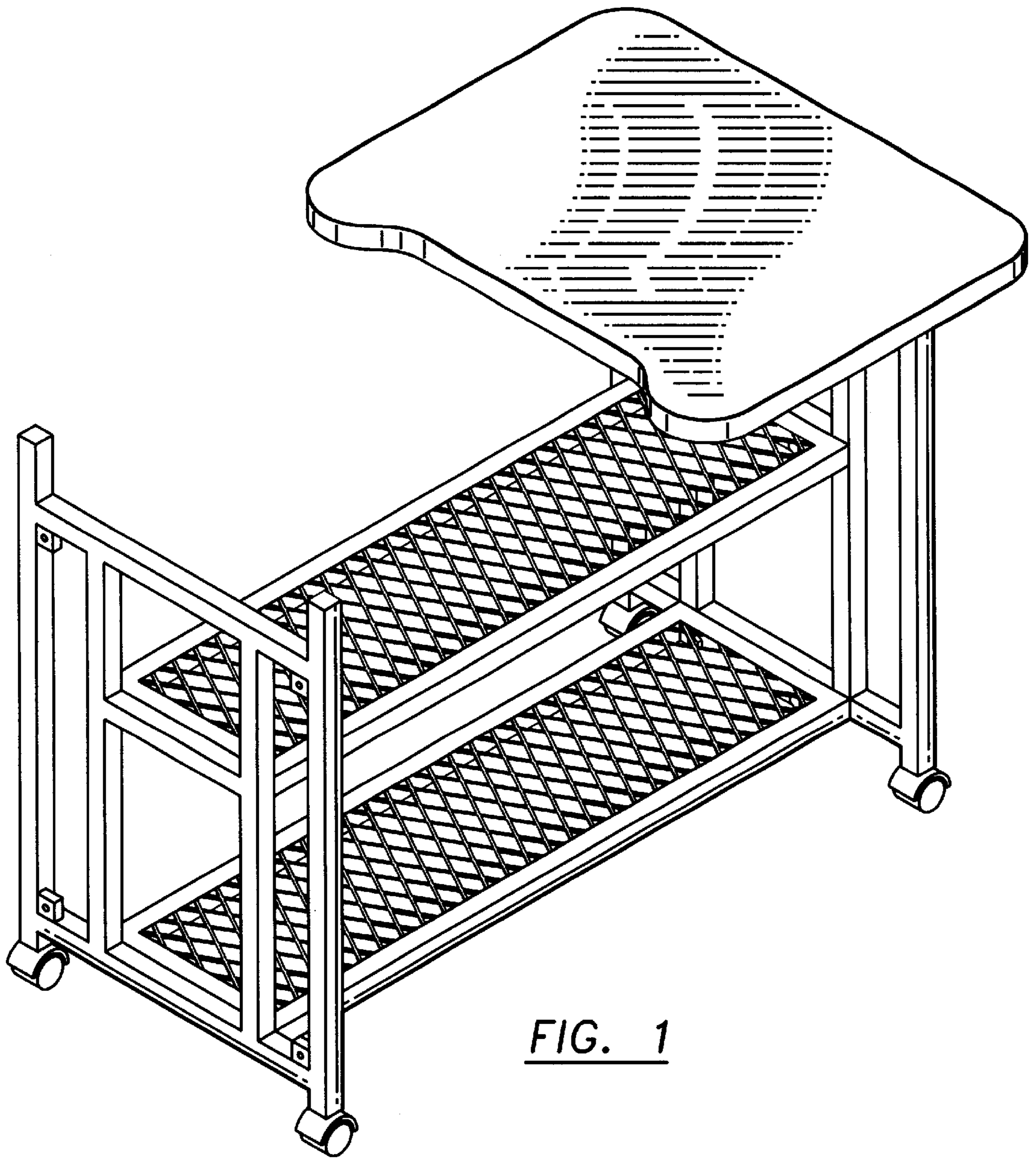
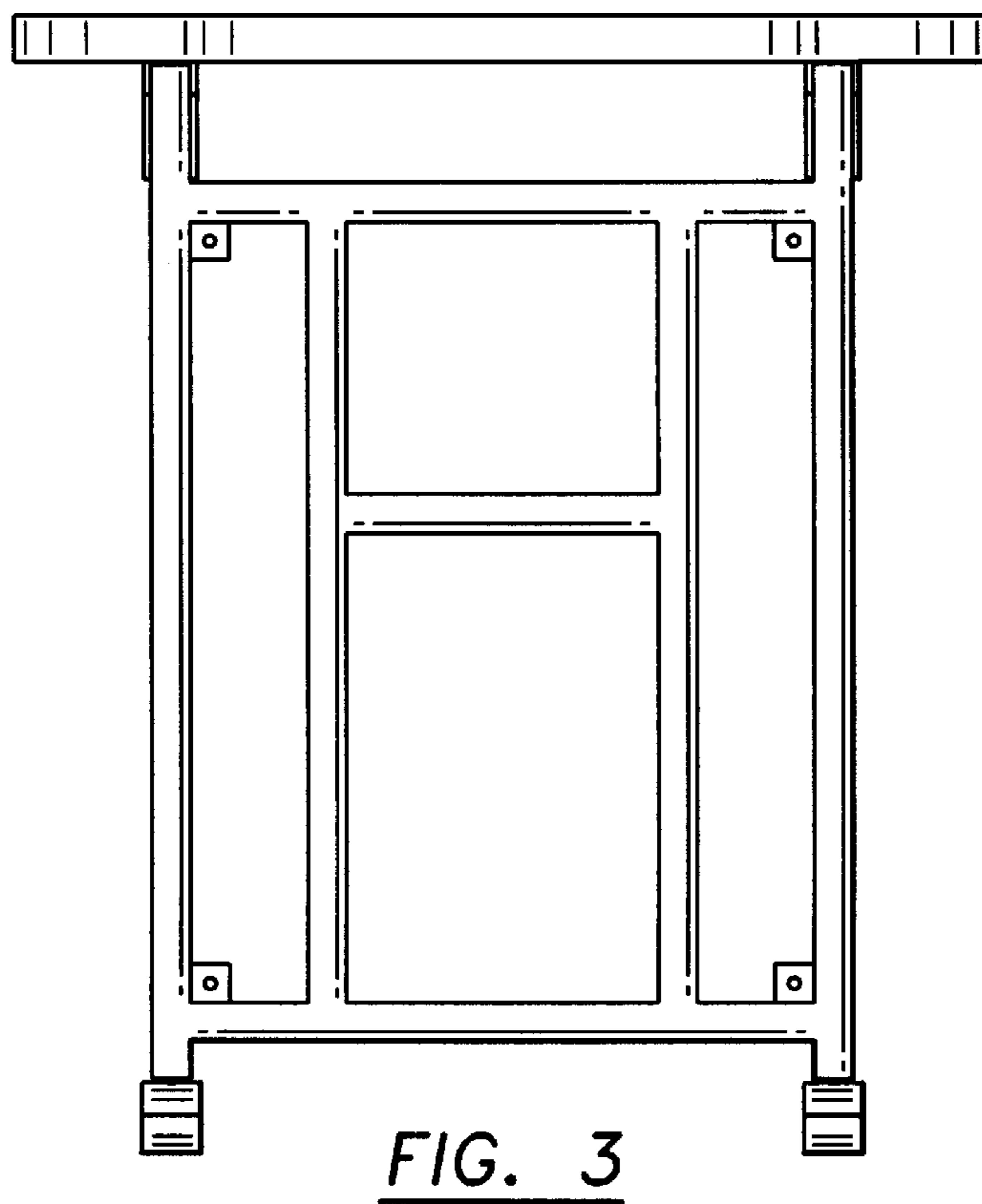
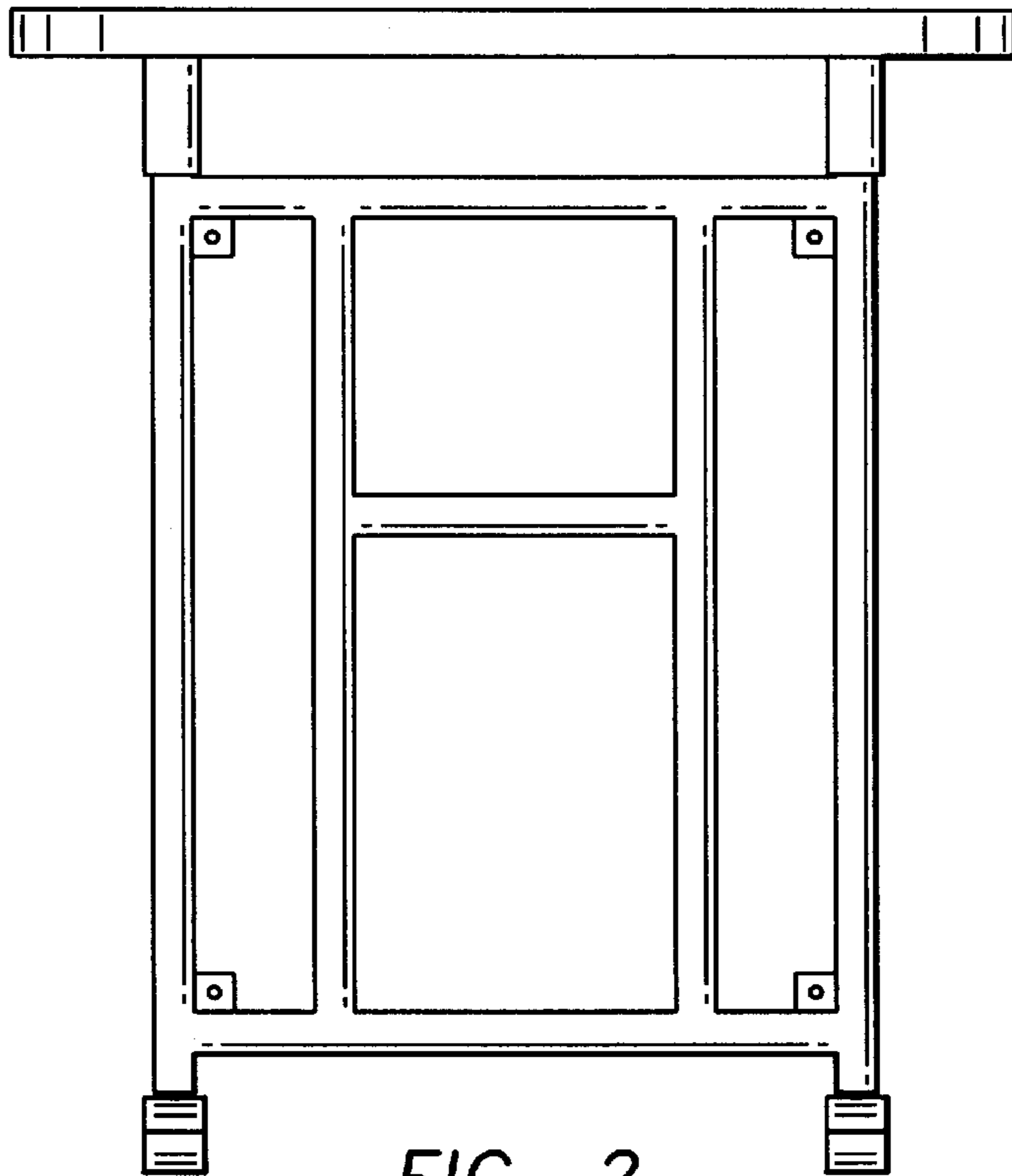


FIG. 1



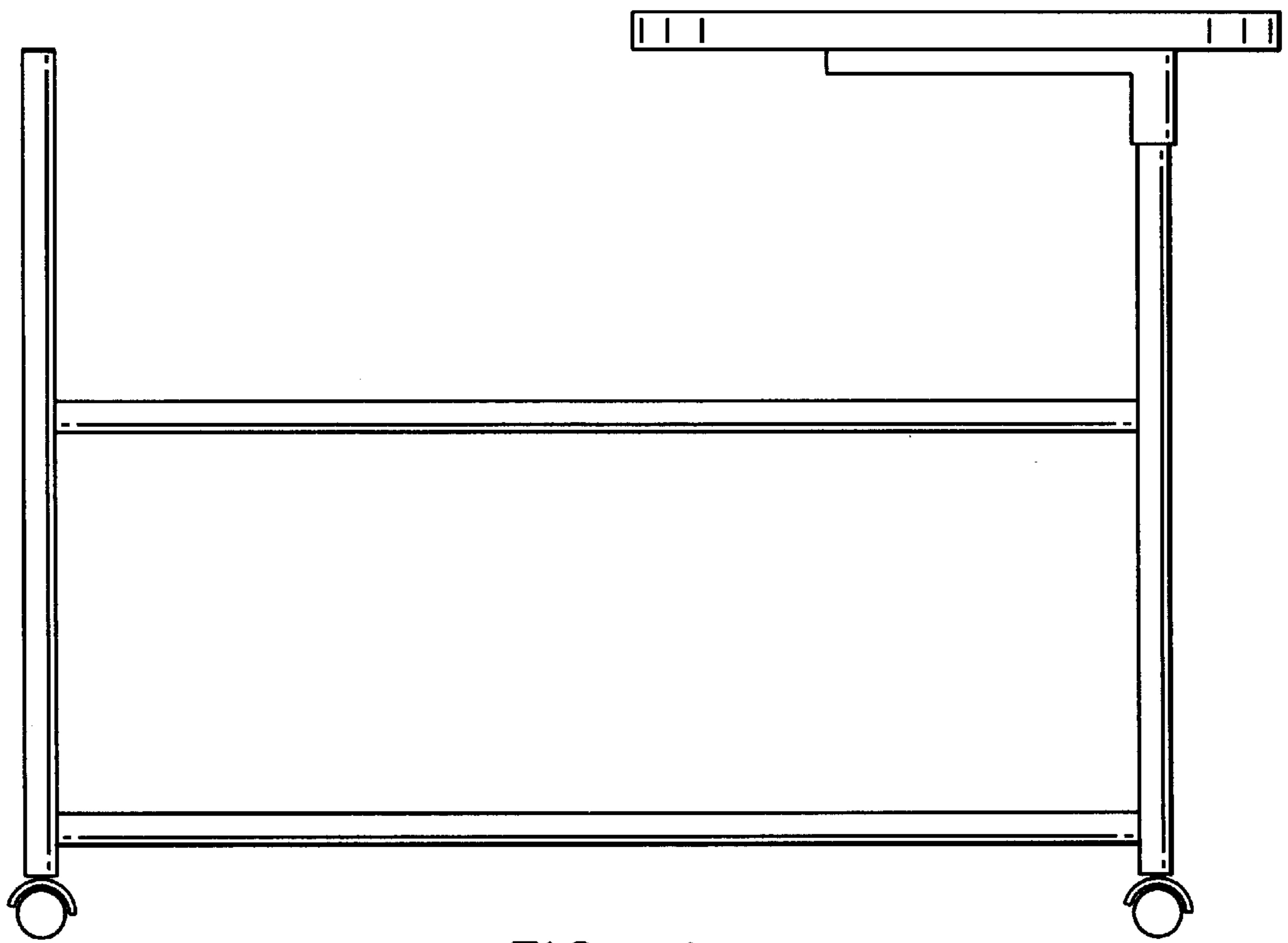


FIG. 4



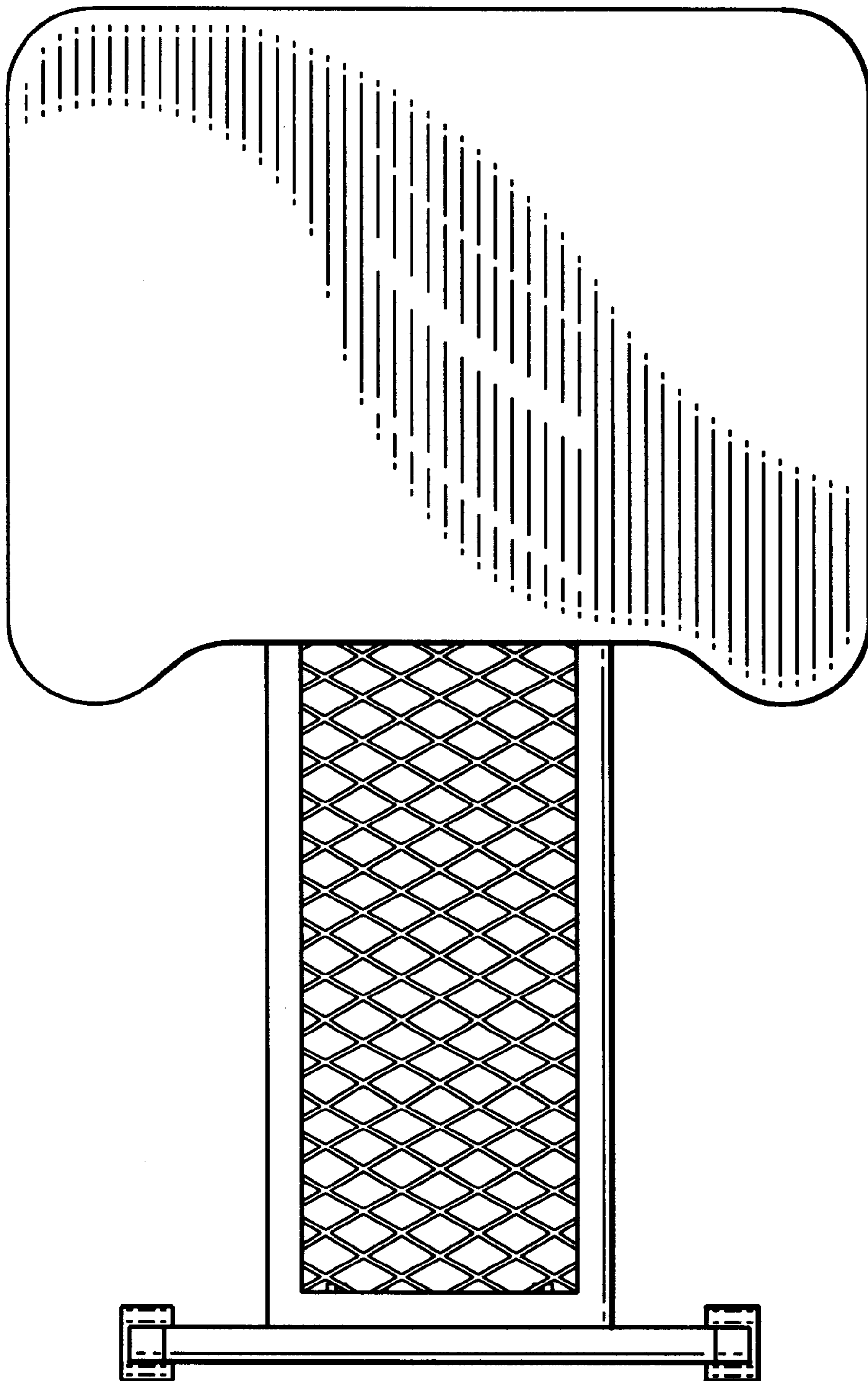


FIG. 5

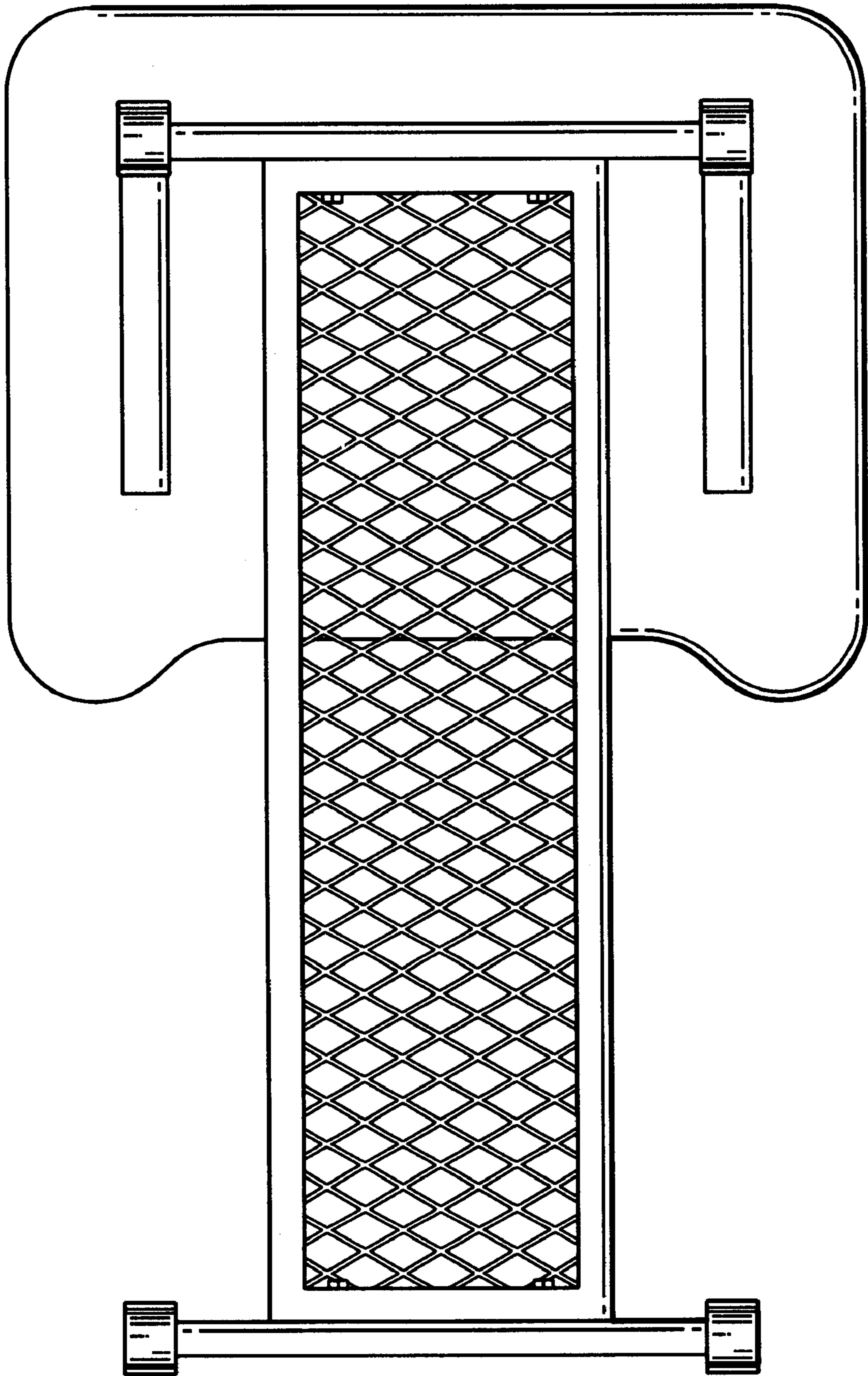


FIG. 6