



US00D447639B1

(12) **United States Design Patent**
Carlson

(10) **Patent No.:** **US D447,639 S**

(45) **Date of Patent:** **** Sep. 11, 2001**

(54) **CHAIR**

(75) Inventor: **Scott T. Carlson**, Chicago, IL (US)

(73) Assignee: **Ivan Carlson & Assoc., Inc.**, Chicago, IL (US)

(**) Term: **14 Years**

(21) Appl. No.: **29/128,830**

(22) Filed: **Aug. 30, 2000**

(51) **LOC (7) Cl.** **06-01**

(52) **U.S. Cl.** **D6/336; D6/335; D6/360**

(58) **Field of Search** **D6/334, 335, 336, D6/360, 364, 367, 371, 373, 381, 500-502; 297/218.1, 232, DIG. 7**

(56) **References Cited**

U.S. PATENT DOCUMENTS

D. 93,384	9/1934	Daly .	
D. 98,545	* 2/1936	Pumphrey	D6/364
D. 104,824	* 6/1937	Swearingen	D6/334
D. 110,791	* 8/1938	Armour	D6/336
D. 121,587	7/1940	Duncan et al. .	
D. 148,065	12/1947	Harris .	
D. 171,900	4/1954	Leather .	
D. 173,625	* 12/1954	Maurer	D6/360
D. 231,878	6/1974	Kellum .	
D. 235,943	7/1975	Long .	
D. 239,900	* 5/1976	Long	D6/334
D. 260,823	9/1981	Stulik, Jr. .	
D. 263,770	* 4/1982	Melchior	D6/334
D. 265,531	* 7/1982	Brukoff	D6/364
D. 280,051	8/1985	Offredi .	
D. 351,509	10/1994	Goldberg .	
D. 361,904	9/1995	Reese .	
D. 372,801	8/1996	Fujimoto et al. .	
D. 375,845	11/1996	Mourgue .	
D. 392,470	3/1998	Smith .	

D. 395,960	7/1998	Smith .
D. 395,961	7/1998	Smith .
D. 405,275	2/1999	Dryburgh et al. .
D. 411,053	6/1999	Lewis et al. .
D. 416,395	11/1999	George et al. .

OTHER PUBLICATIONS

Chair Design By Ivan Carlson & Associates, Inc. Attached As Exhibit D1 To A Confidential Settlement Agreement Dated Jun. 3, 1998.

Chair Design By Ivan Carlson & Associates, Inc. Attached As Exhibit D2 To A Confidential Settlement Agreement Dated Jun. 3, 1998.

Chair Design By Ivan Carlson & Associates, Inc. Attached As Exhibit D3 To A Confidential Settlement Agreement Dated Jun. 3, 1998.

* cited by examiner

Primary Examiner—Doris V. Coles

Assistant Examiner—Mimosa De

(74) *Attorney, Agent, or Firm*—Michael G. Kelber

(57) **CLAIM**

The ornamental design for a chair, as shown and described.

DESCRIPTION

FIG. 1 is a perspective view of a chair showing my new design;

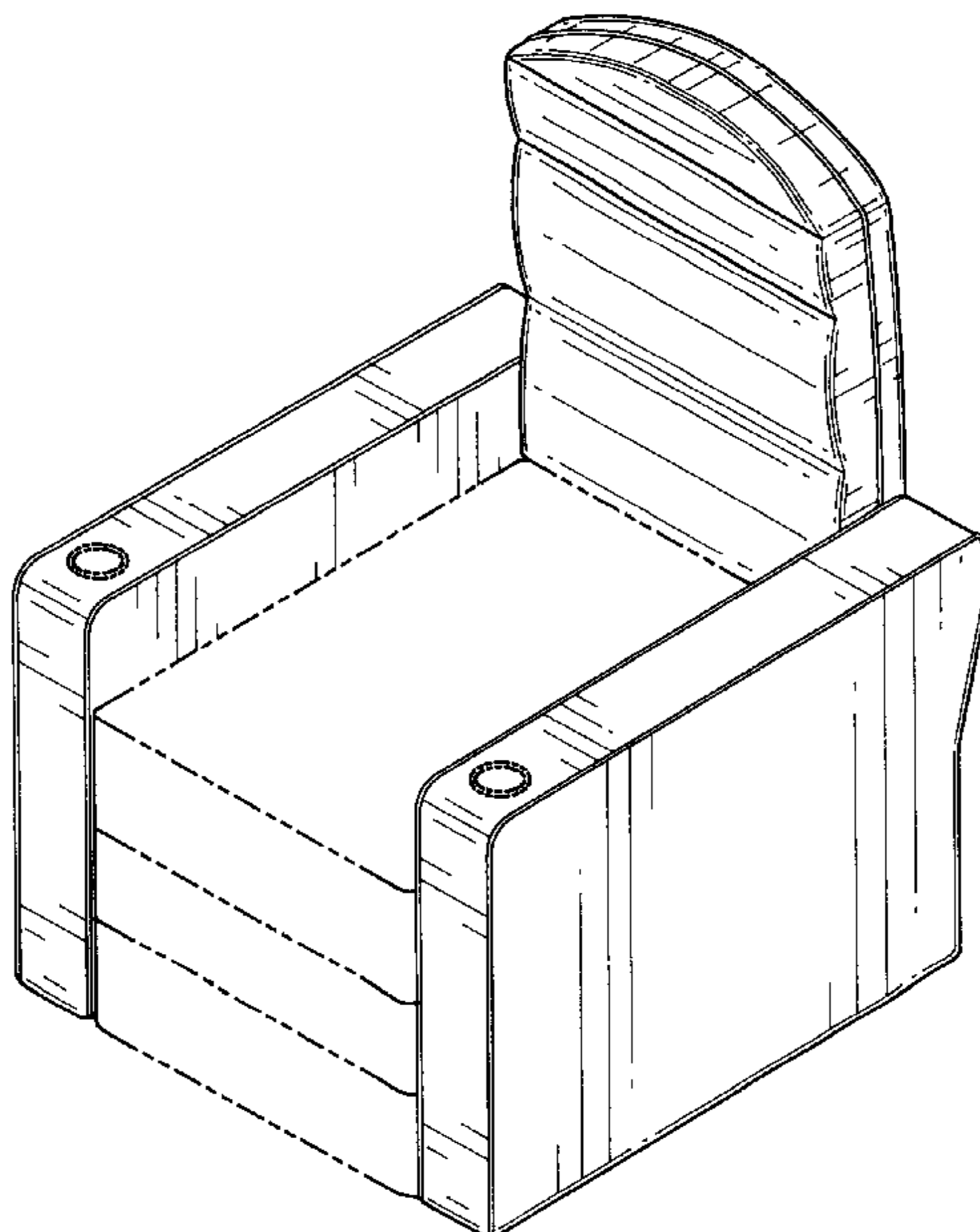
FIG. 2 is a side elevational view thereof; and,

FIG. 3 is a front elevational view thereof.

The broken line shown in all views of the drawing is for illustrative purposes only and forms no part of the claimed design.

The surface(s) or portion(s) of the article not shown in the drawing or described in the specification form(s) no part of the claimed design.

1 Claim, 2 Drawing Sheets



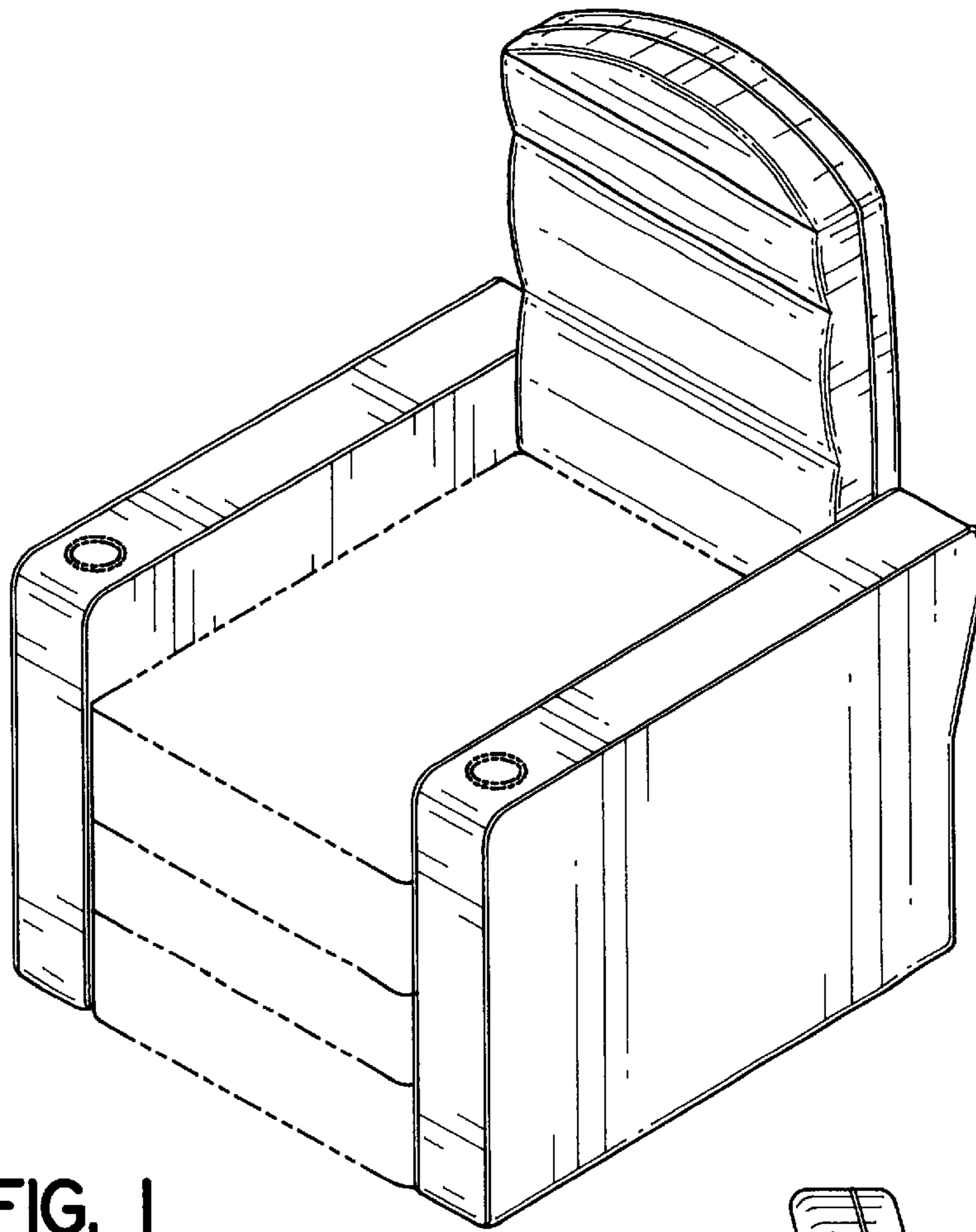


FIG. 1

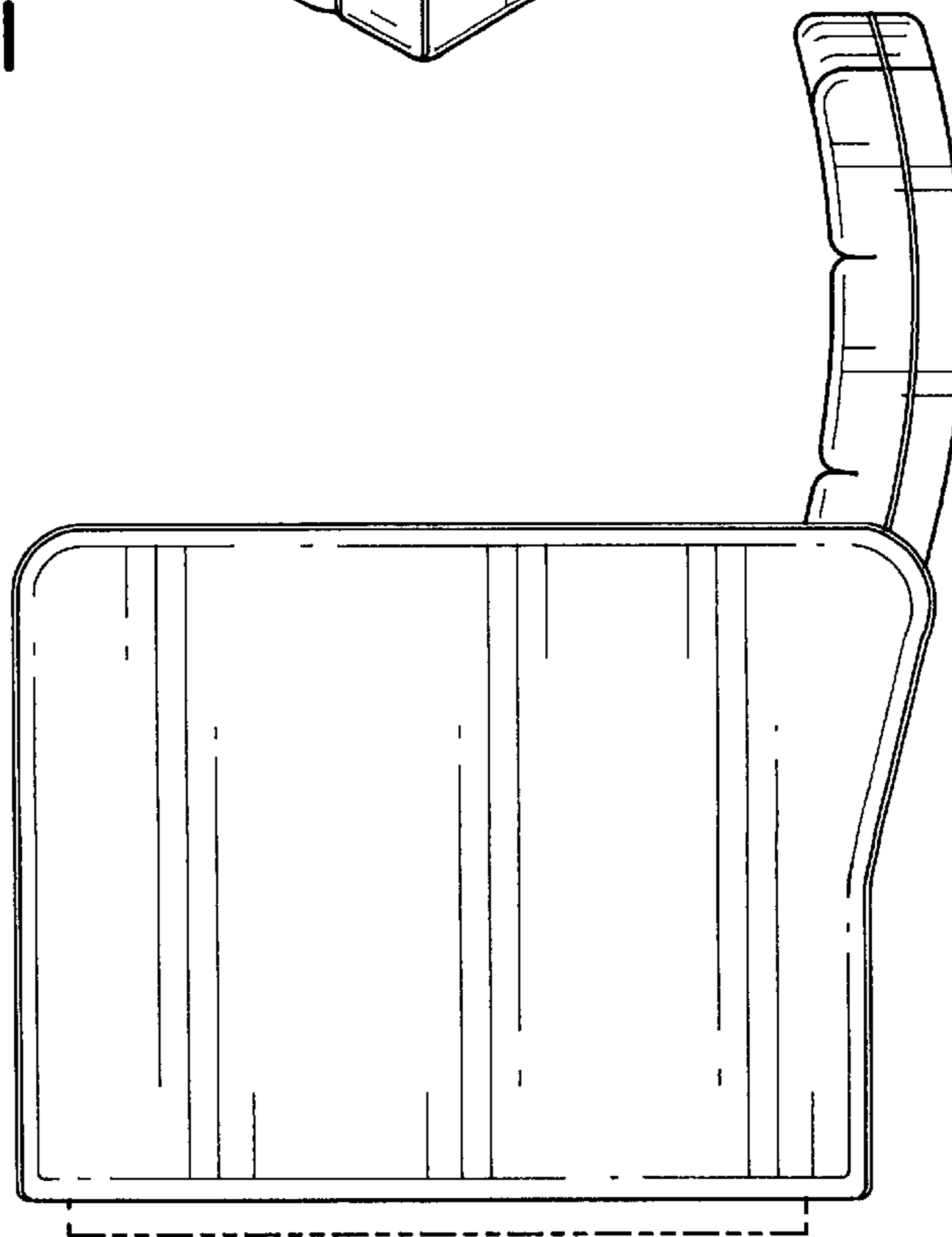


FIG. 2

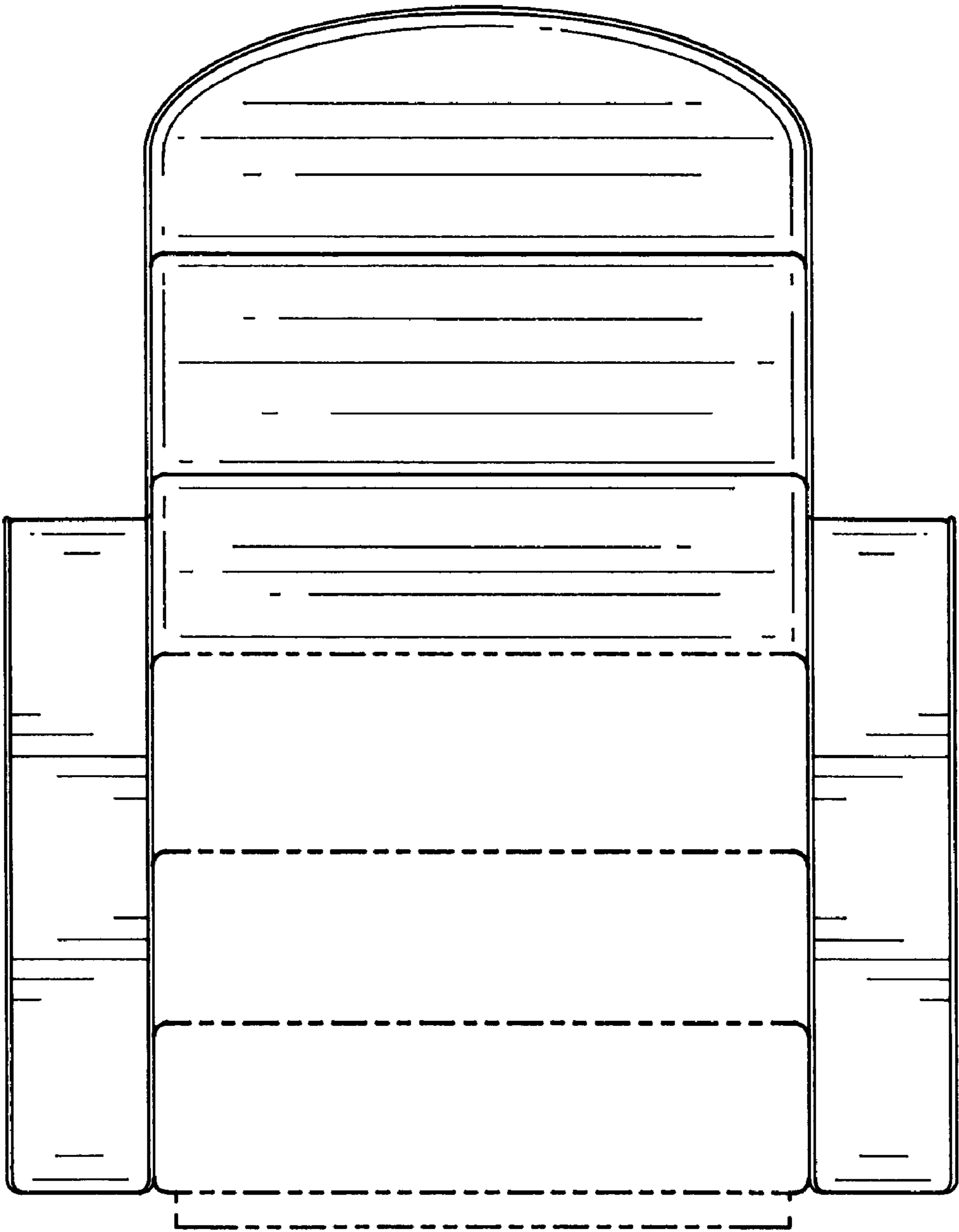


FIG. 3