



US00D447634B1

(12) **United States Design Patent**
Snider

(10) **Patent No.:** **US D447,634 S**

(45) **Date of Patent:** **** Sep. 11, 2001**

(54) STORAGE CASE	5,050,733	9/1991	Brennan	206/373
	5,553,710	9/1996	Takama	206/561
(75) Inventor: Gregory Scott Snider, Bel Air, MD (US)	5,915,553	6/1999	Brown et al.	206/372

FOREIGN PATENT DOCUMENTS

(73) Assignee: Black & Decker Inc., Newark, DE (US)	1814157	12/1968	(DE) .
	2149305	10/1971	(DE) .
(**) Term: 14 Years	3150873A1	12/1981	(DE) .
	85006459	1/1985	(DE) .
(21) Appl. No.: 29/129,301	G8515834.8	5/1985	(DE) .
	G8602551.1	1/1986	(DE) .
(22) Filed: Sep. 11, 2000	3714789C2	5/1987	(DE) .
	G8814319.8	11/1988	(DE) .
(51) LOC (7) Cl. 03-01	G8906411.9	5/1989	(DE) .
(52) U.S. Cl. D3/294; D3/273	G8907073.9	6/1989	(DE) .
(58) Field of Search D3/273, 294, 205, D3/905, 282, 276; D9/424, 423; 206/349, 372, 373, 379; 190/100	G9312160.1	8/1993	(DE) .
	29517259U1	10/1995	(DE) .
	29702619U1	2/1997	(DE) .
	0620159B1	3/1997	(EP) .
	WO90/08631	8/1990	(WO) .
	WO94/11258	5/1994	(WO) .

(56) **References Cited**

U.S. PATENT DOCUMENTS

D. 229,366	11/1973	Yonce .	
D. 264,396	5/1982	Harvey et al. .	
D. 333,727	3/1993	Schurman .	
D. 345,650	4/1994	Boyd	D3/905
D. 347,114	5/1994	Tengvall	D3/281
D. 390,358	2/1998	Calmeise	D3/295
D. 400,011	10/1998	Palmer et al.	D3/294
416,425	12/1889	Schmitt .	
D. 417,077	11/1999	Sheu	D3/294
D. 418,977	1/2000	Streich	D3/273
D. 428,699 *	8/2000	Gibson et al.	D3/276
D. 437,684 *	2/2001	Streich et al.	D3/273
1,849,565	3/1932	Brady .	
2,012,800	8/1935	Allen .	
3,459,327	8/1969	Harris .	
3,698,404	10/1972	Greco .	
3,836,043	9/1974	Levin	206/504
4,210,252	7/1980	Cooke et al. .	
4,213,532	7/1980	Eggert et al.	206/504
4,615,464	10/1986	Byrns	220/469
4,884,689	12/1989	Su-Chin	206/372
4,930,753	6/1990	Alvyn .	
4,934,549	6/1990	Allen .	

* cited by examiner

Primary Examiner—Philip S. Hyder
(74) *Attorney, Agent, or Firm*—Harness, Dickey & Pierce, P.L.C.

(57) **CLAIM**

The ornamental design for a storage case, as shown and described.

DESCRIPTION

FIG. 1 is a front perspective view of a storage case shown in the closed position;
FIG. 2 is a top view thereof;
FIG. 3 is a front view thereof;
FIG. 4 is a bottom view thereof, with the latch shown in an unlatched position;
FIG. 5 is a rear view thereof; and,
FIG. 6 is a right side view thereof, the left side view being a mirror image of the left.

1 Claim, 2 Drawing Sheets

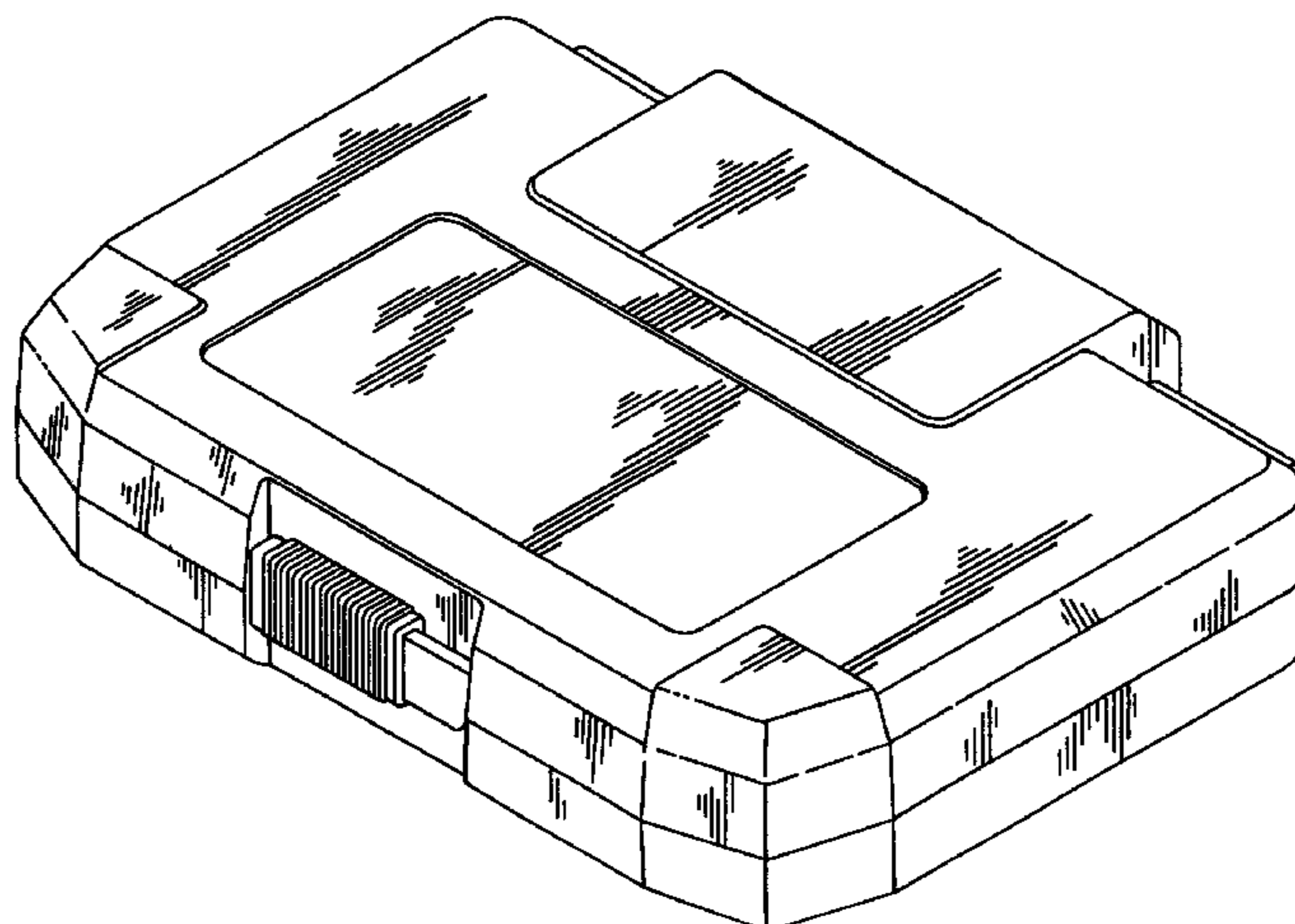


FIG 1

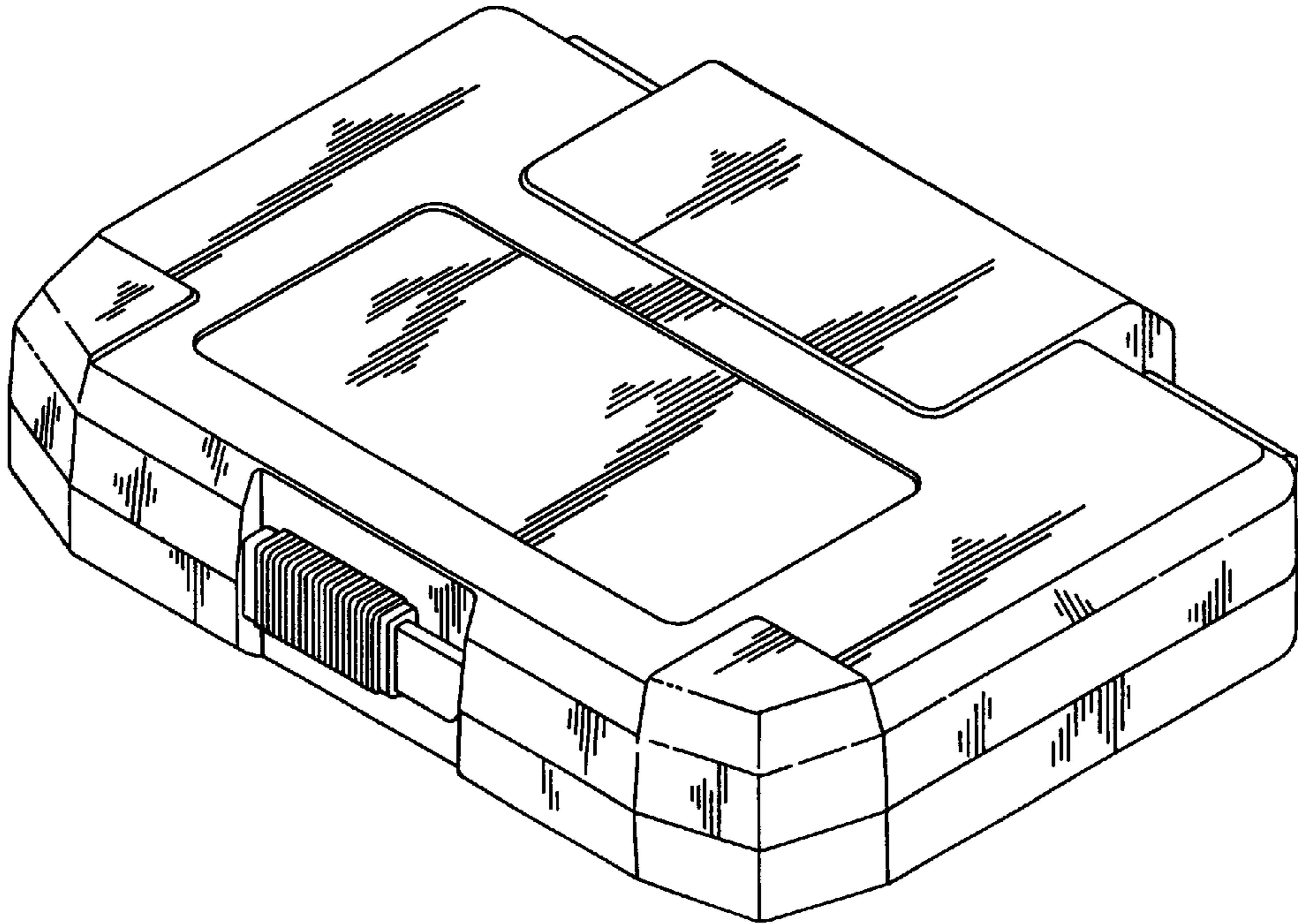


FIG 6

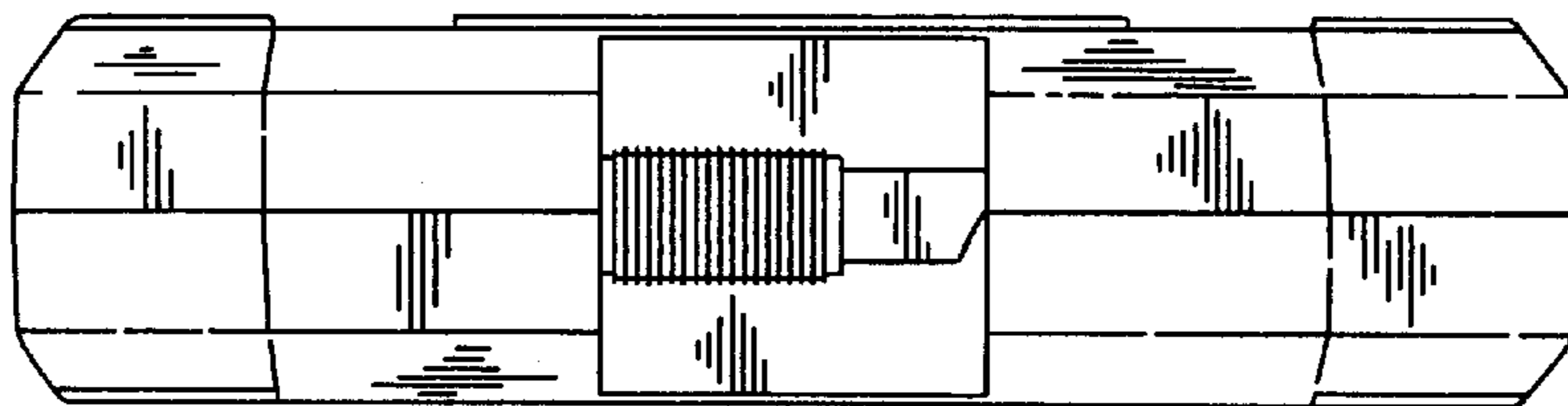
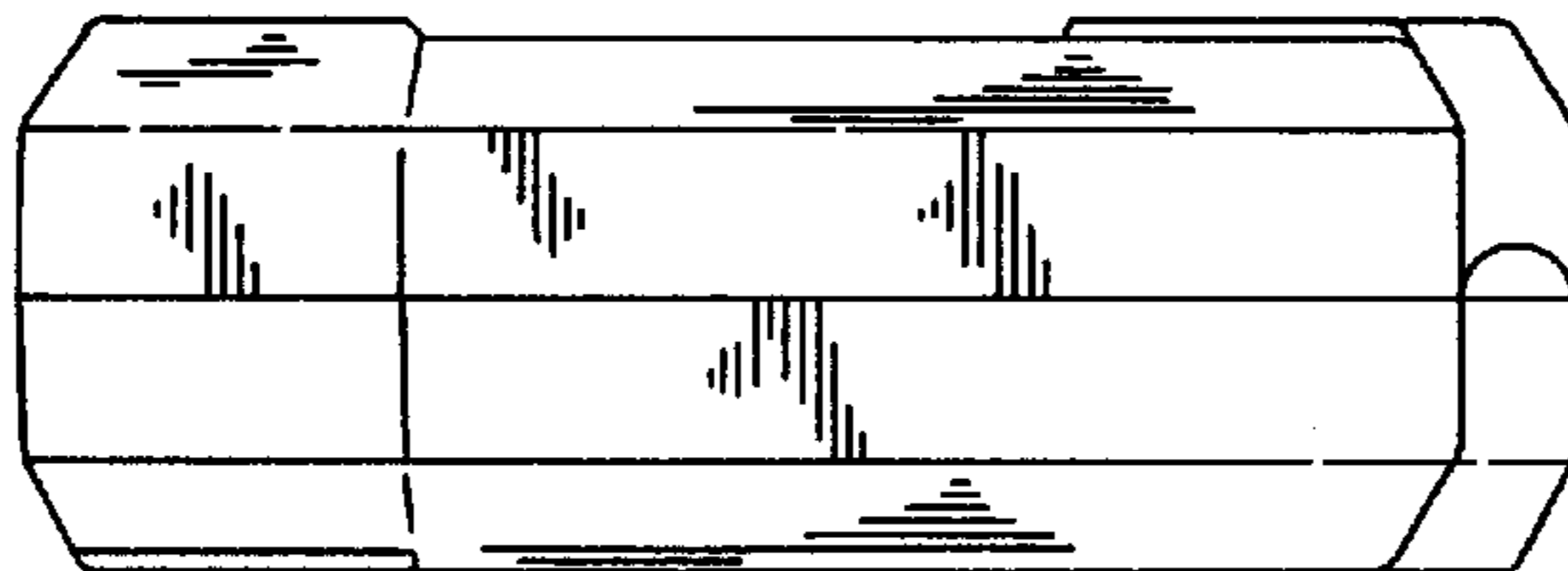


FIG 3

FIG 4

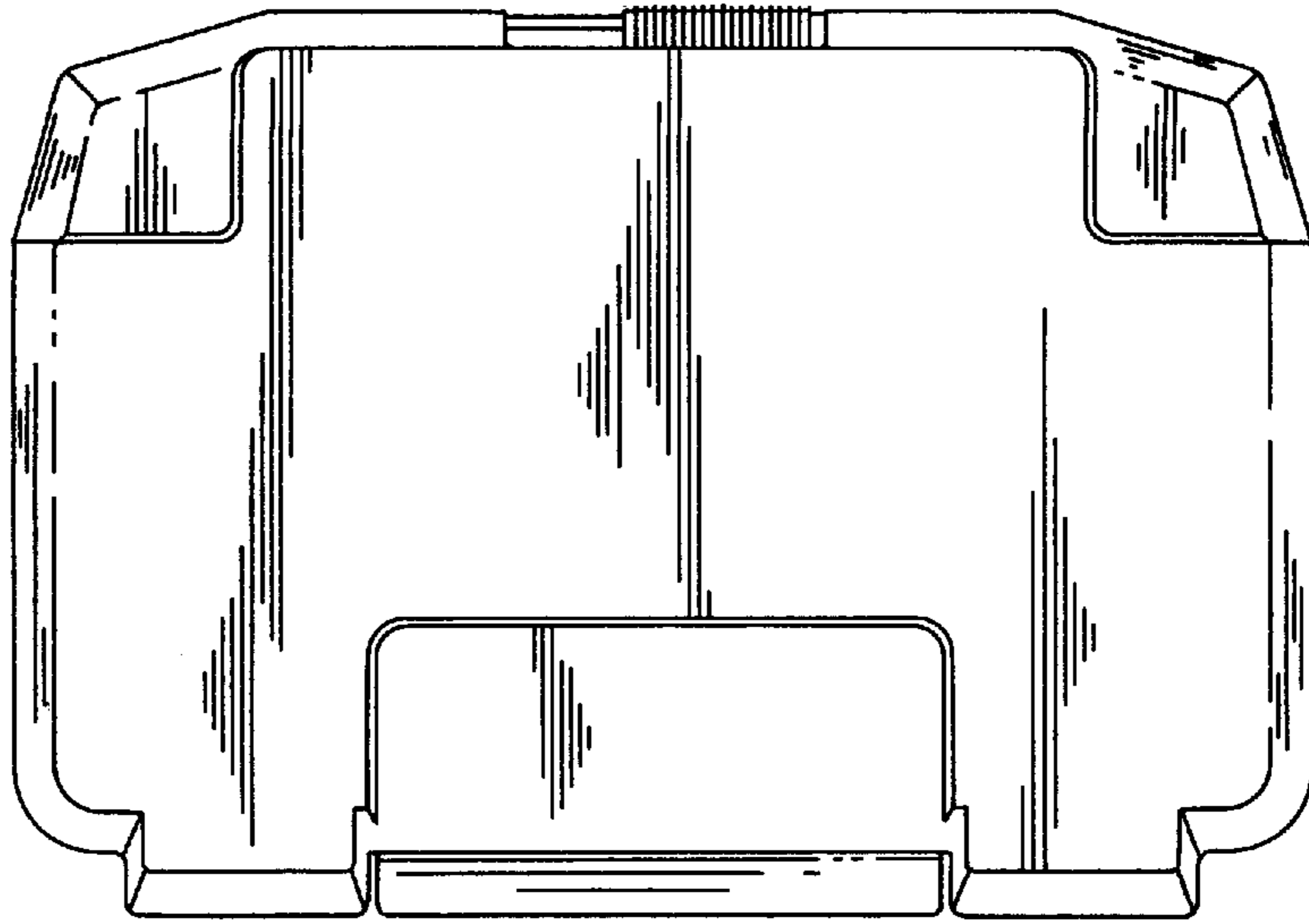


FIG 5

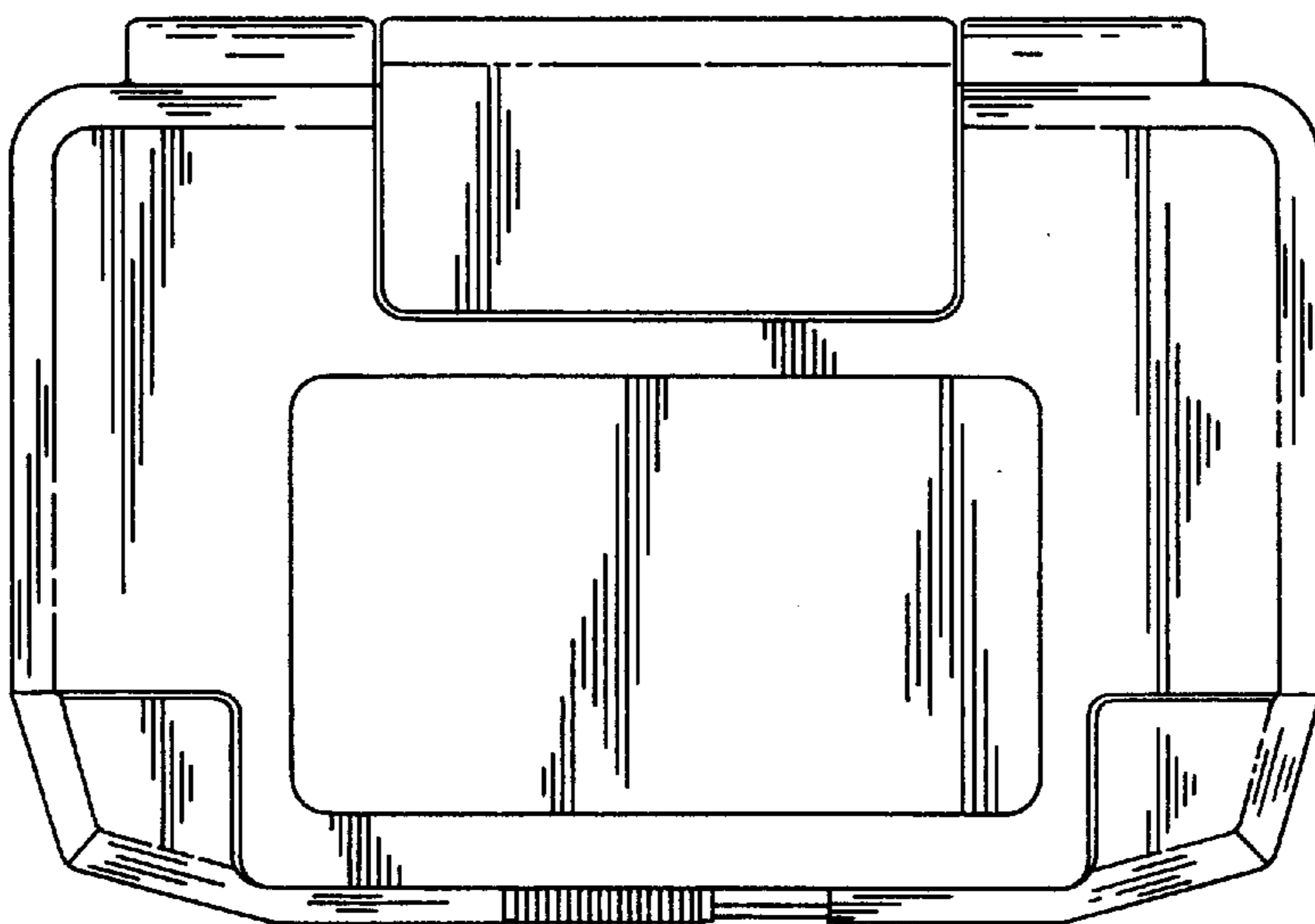
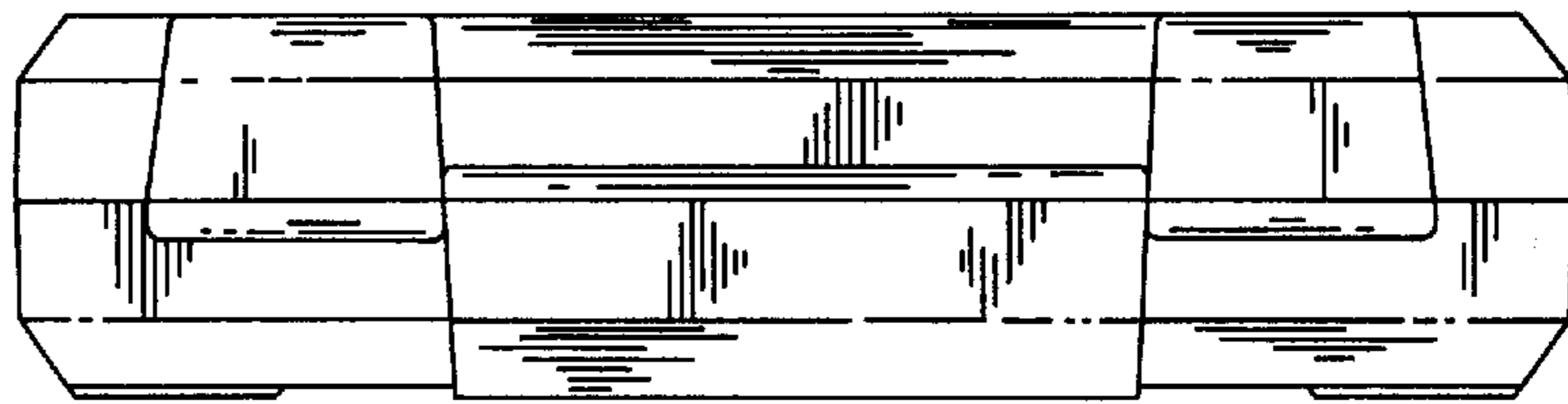


FIG 2