



US00D447630B1

(12) **United States Design Patent**
Snider

(10) **Patent No.:** **US D447,630 S**

(45) **Date of Patent:** **** Sep. 11, 2001**

(54) **TOOL STORAGE BAG HAVING PLASTIC BOTTOM**

(75) **Inventor:** **Gregory Scott Snider**, Bel Air, MD (US)

(73) **Assignee:** **Black & Decker Inc.**, Newark, DE (US)

(**) **Term:** **14 Years**

(21) **Appl. No.:** **29/127,248**

(22) **Filed:** **Aug. 2, 2000**

(51) **LOC (7) Cl.** **03-01**

(52) **U.S. Cl.** **D3/283; D3/276; D3/289; D3/905**

(58) **Field of Search** **D3/273, 276, 283, D3/285, 286, 294, 295, 905; 206/349, 372, 373; 190/100, 111, 112, 113**

(56) **References Cited**

U.S. PATENT DOCUMENTS

D. 376,454	*	12/1996	Fierek et al.	D3/905
D. 396,144	*	7/1998	Farmer	D3/283
D. 414,932	*	10/1999	Platte, III	D3/283
1,729,318		9/1929	Wunderlich .		
1,986,743		1/1935	Musick .		
2,746,582		5/1956	Cart .		
3,121,452		2/1964	Hyman .		
3,203,517		8/1965	Stein .		

4,993,551	*	2/1991	Lindsay	206/373
5,174,447	*	12/1992	Fleming	206/373
5,518,315		5/1996	Nichols	383/119
5,653,337	*	8/1997	Cirigliano	206/373
5,813,530	*	9/1998	Kornblatt	206/373

OTHER PUBLICATIONS

Deluth Trading Company Catalog, p. 2 Crate Boss, p. 13 soft sider, and p. 23 riggers bag, 1998.*

* cited by examiner

Primary Examiner—Philip S. Hyder

(74) *Attorney, Agent, or Firm*—Harness, Dickey & Pierce, P.L.C.

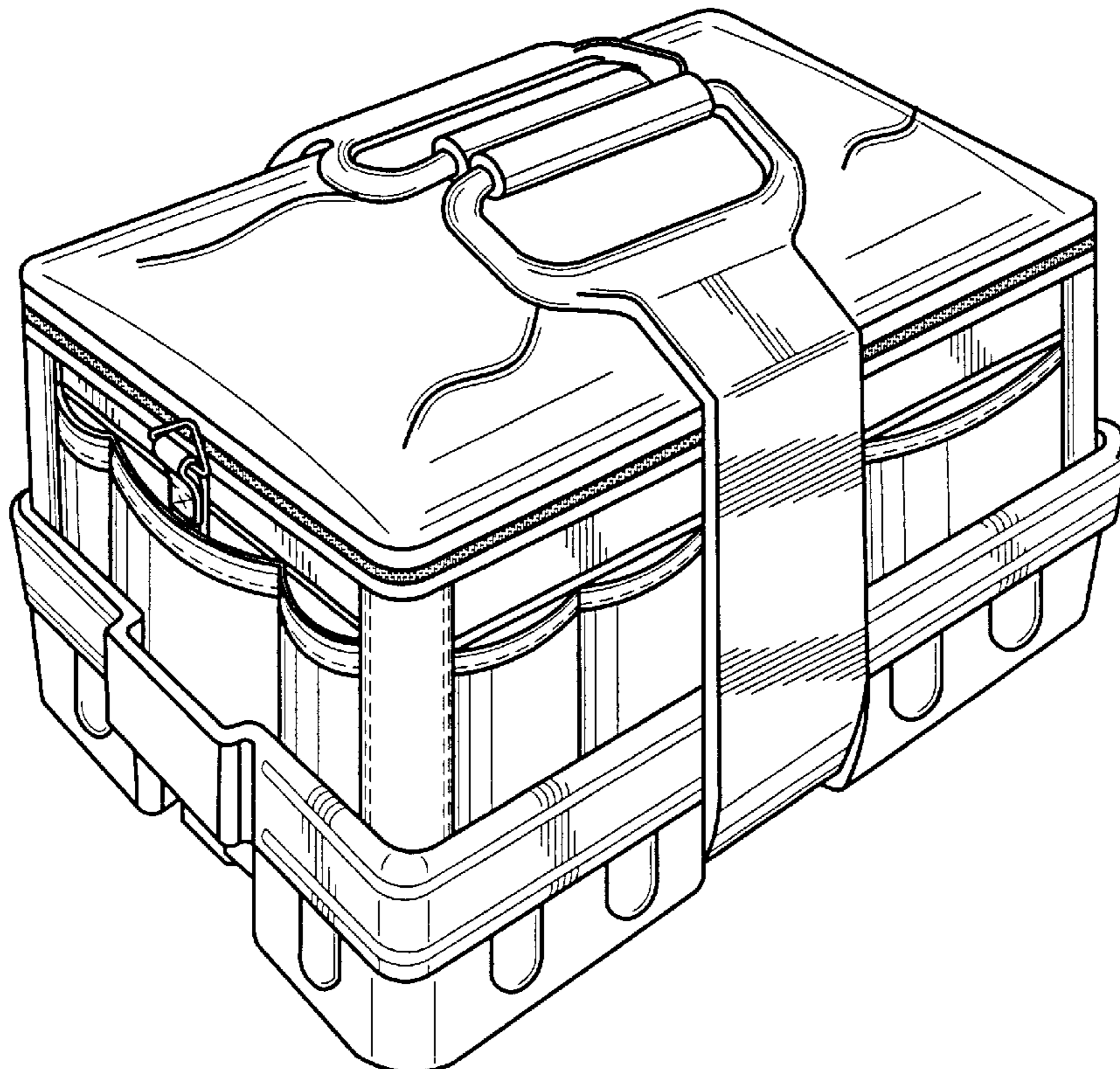
(57) **CLAIM**

The ornamental design for a tool storage bag having a plastic bottom, as shown and described.

DESCRIPTION

FIG. 1 is a front perspective view of a tool storage bag shown in the closed position;
FIG. 2 is a left side view thereof;
FIG. 3 is a front view thereof;
FIG. 4 is a right side view thereof;
FIG. 5 is a top view thereof;
FIG. 6 is a bottom view thereof; and,
FIG. 7 is a rear view thereof.

1 Claim, 4 Drawing Sheets



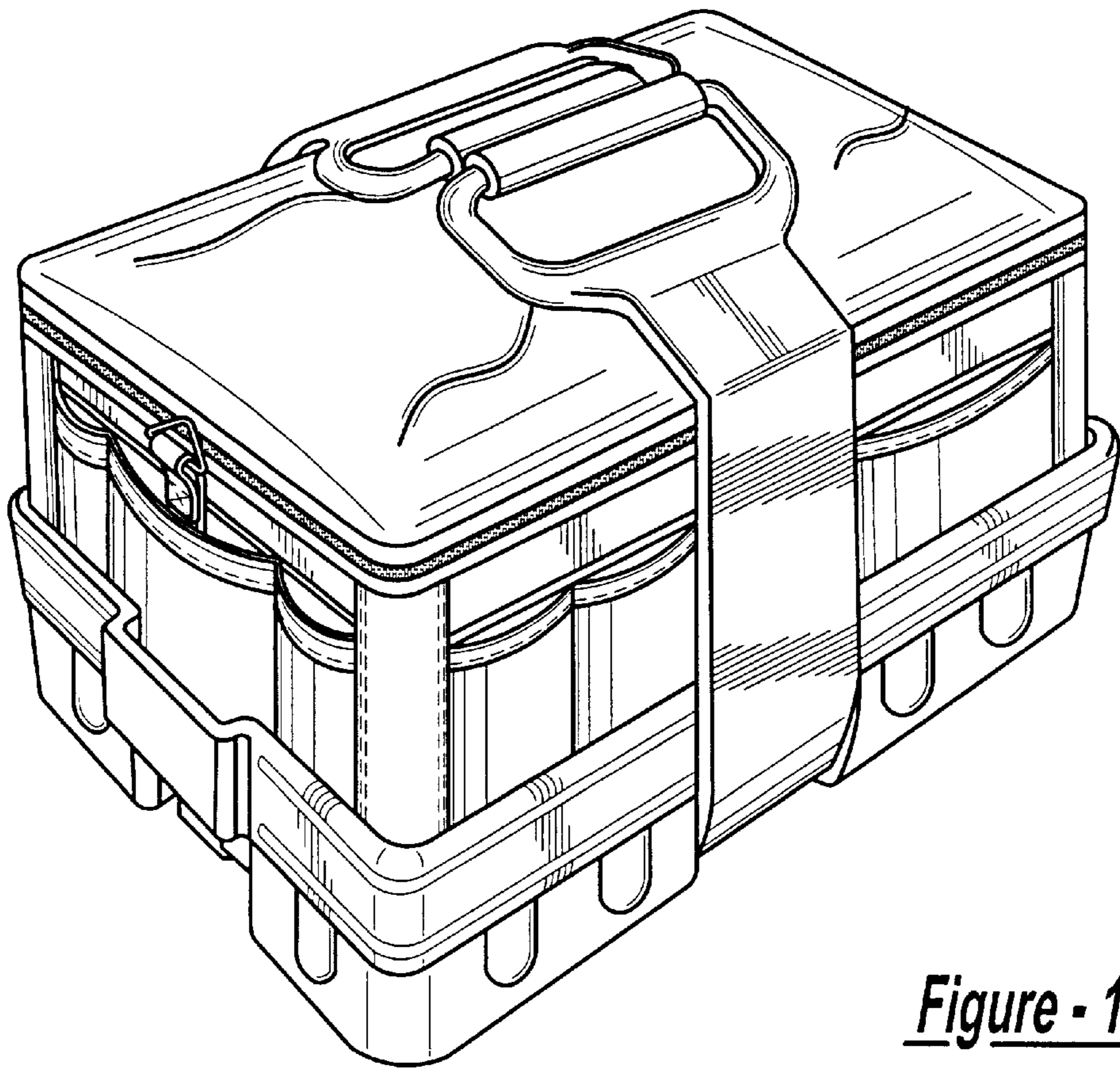


Figure - 1

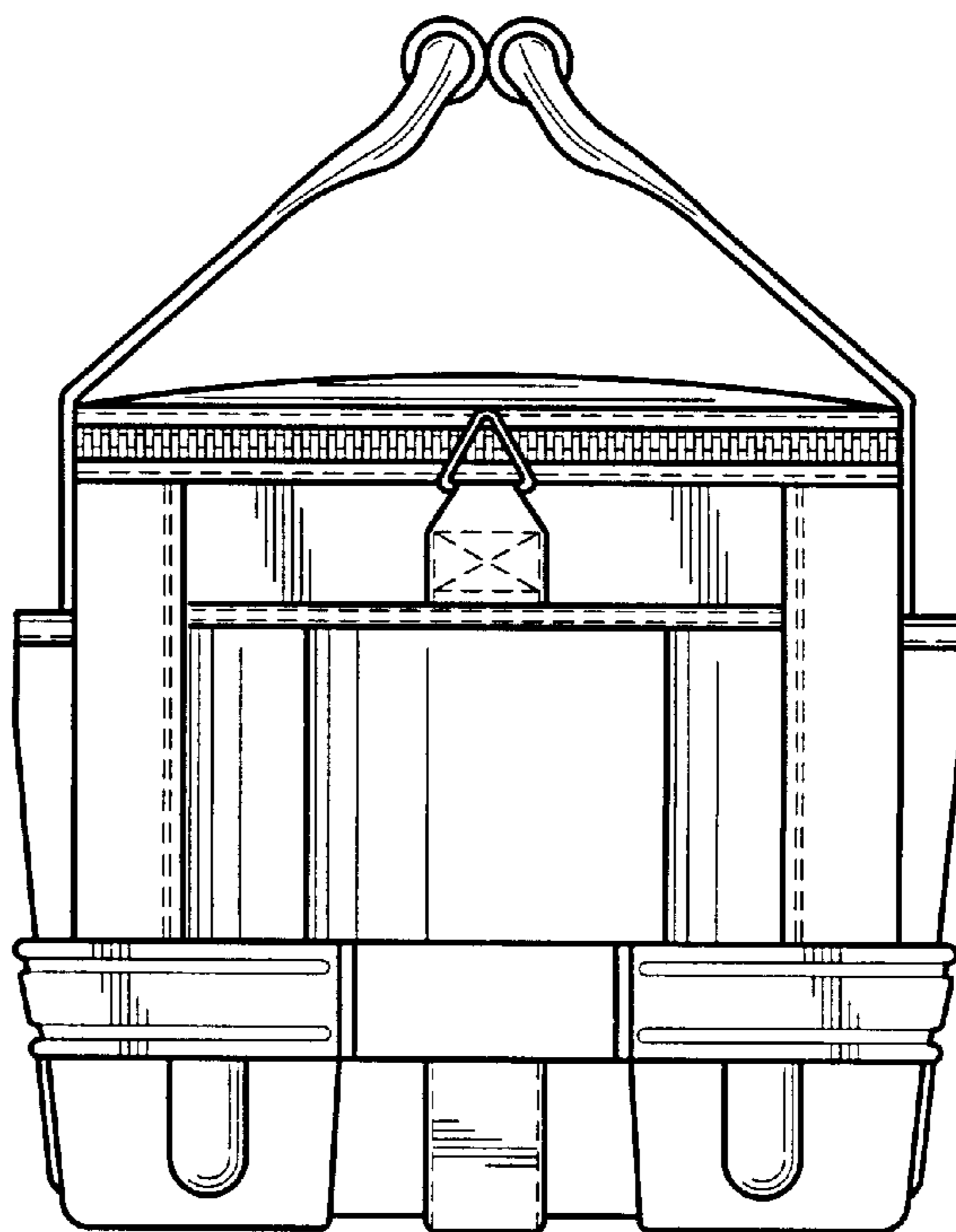


Figure - 2

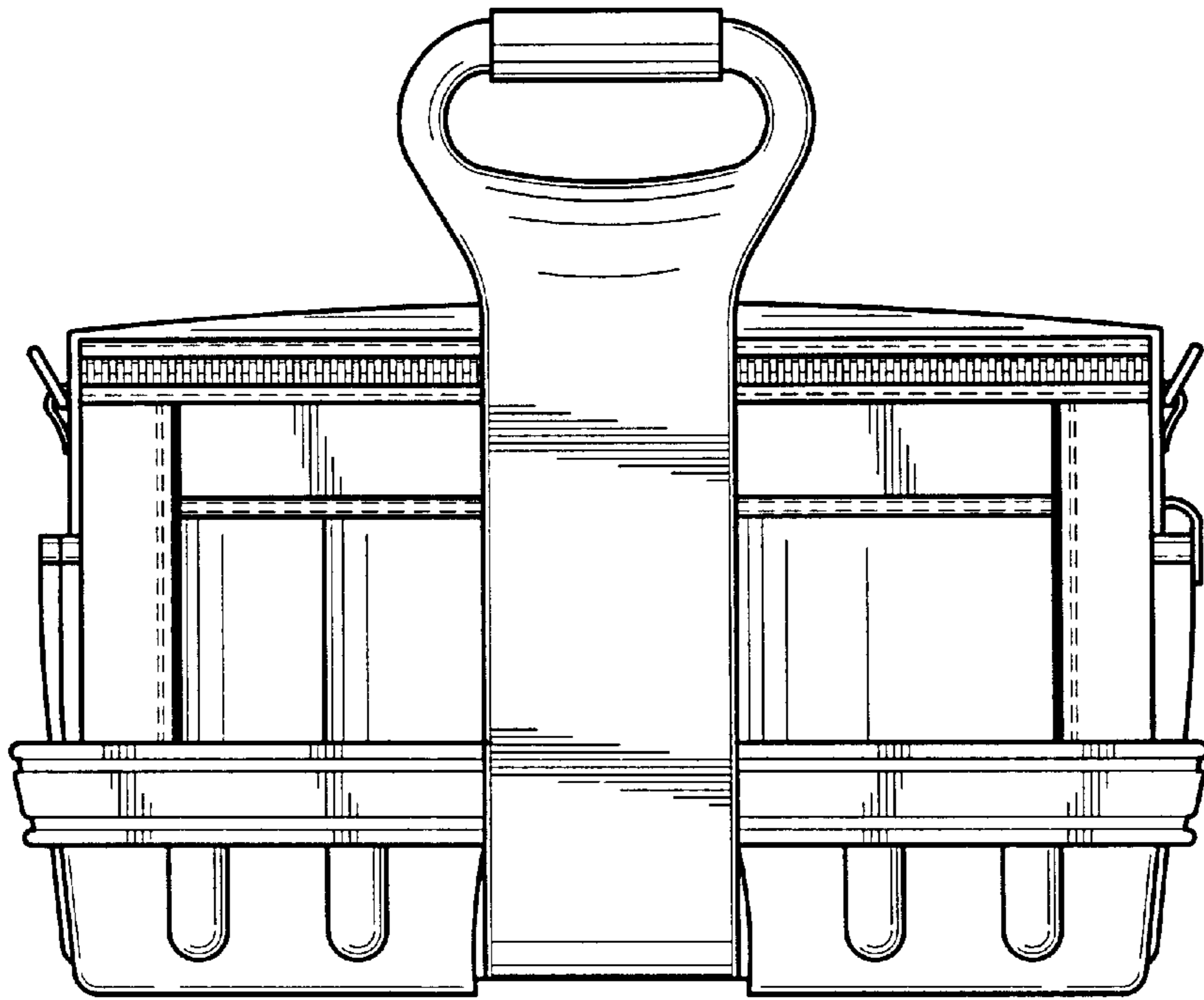


Figure - 3

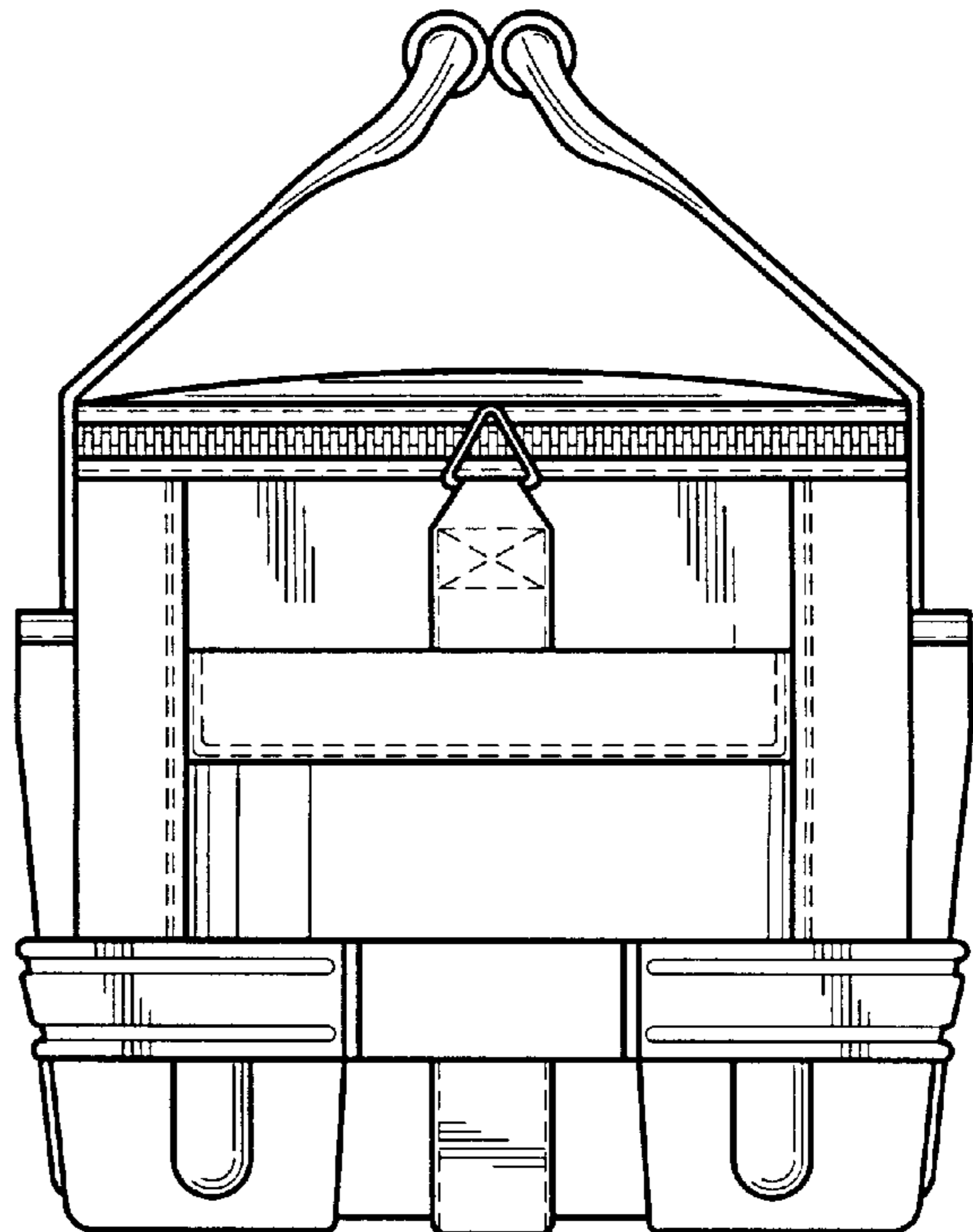


Figure - 4

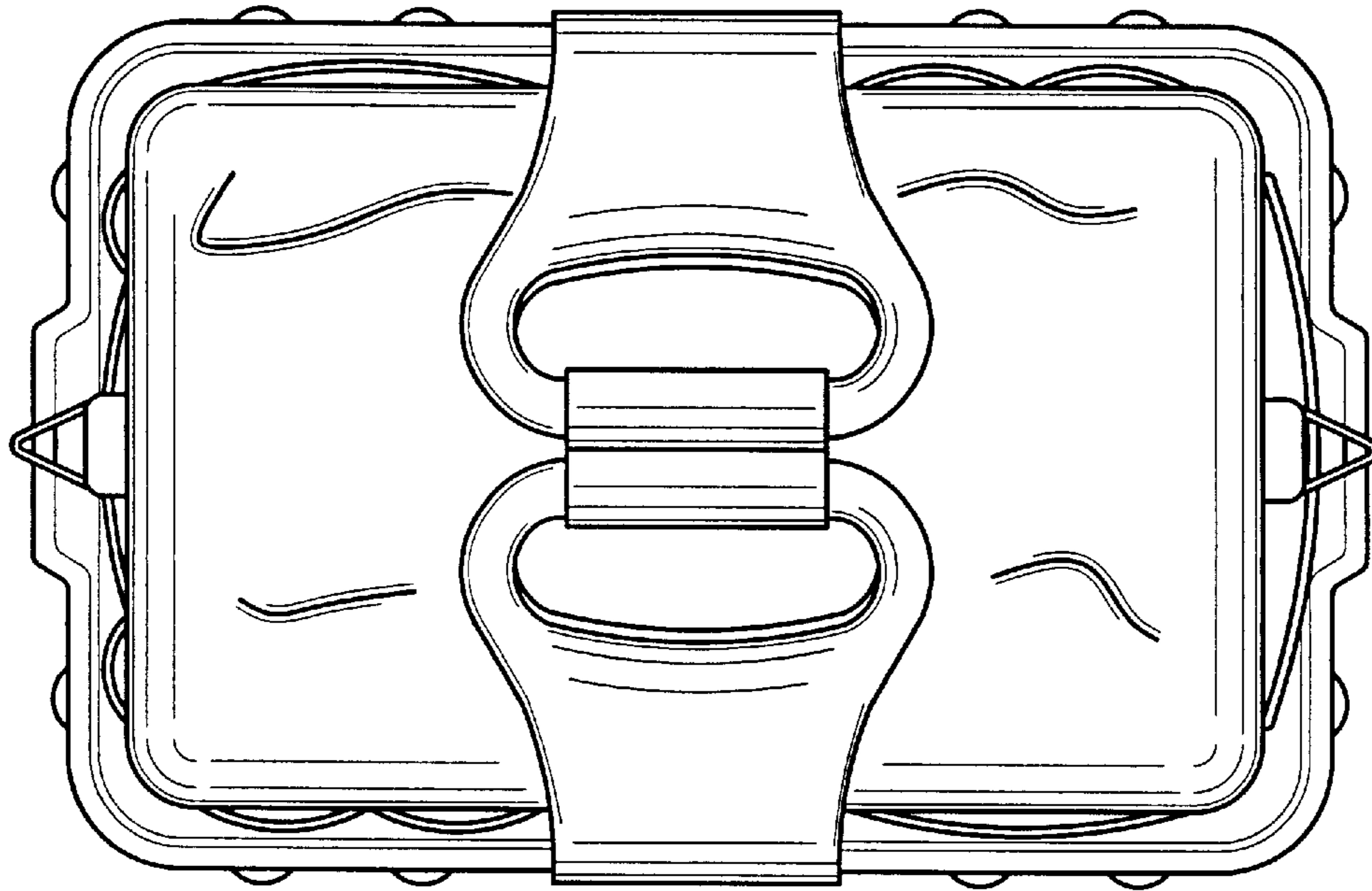


Figure - 5

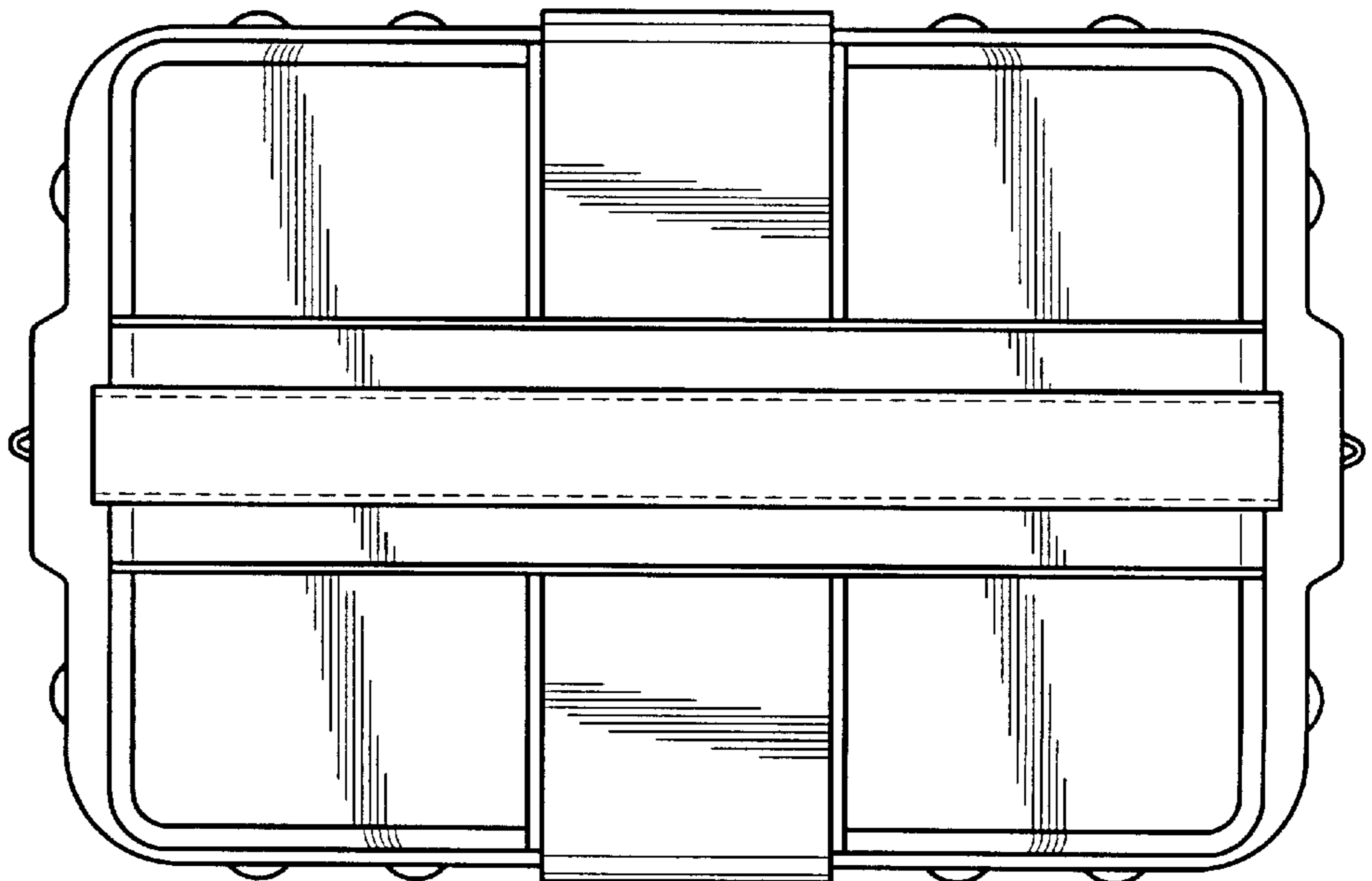


Figure - 6

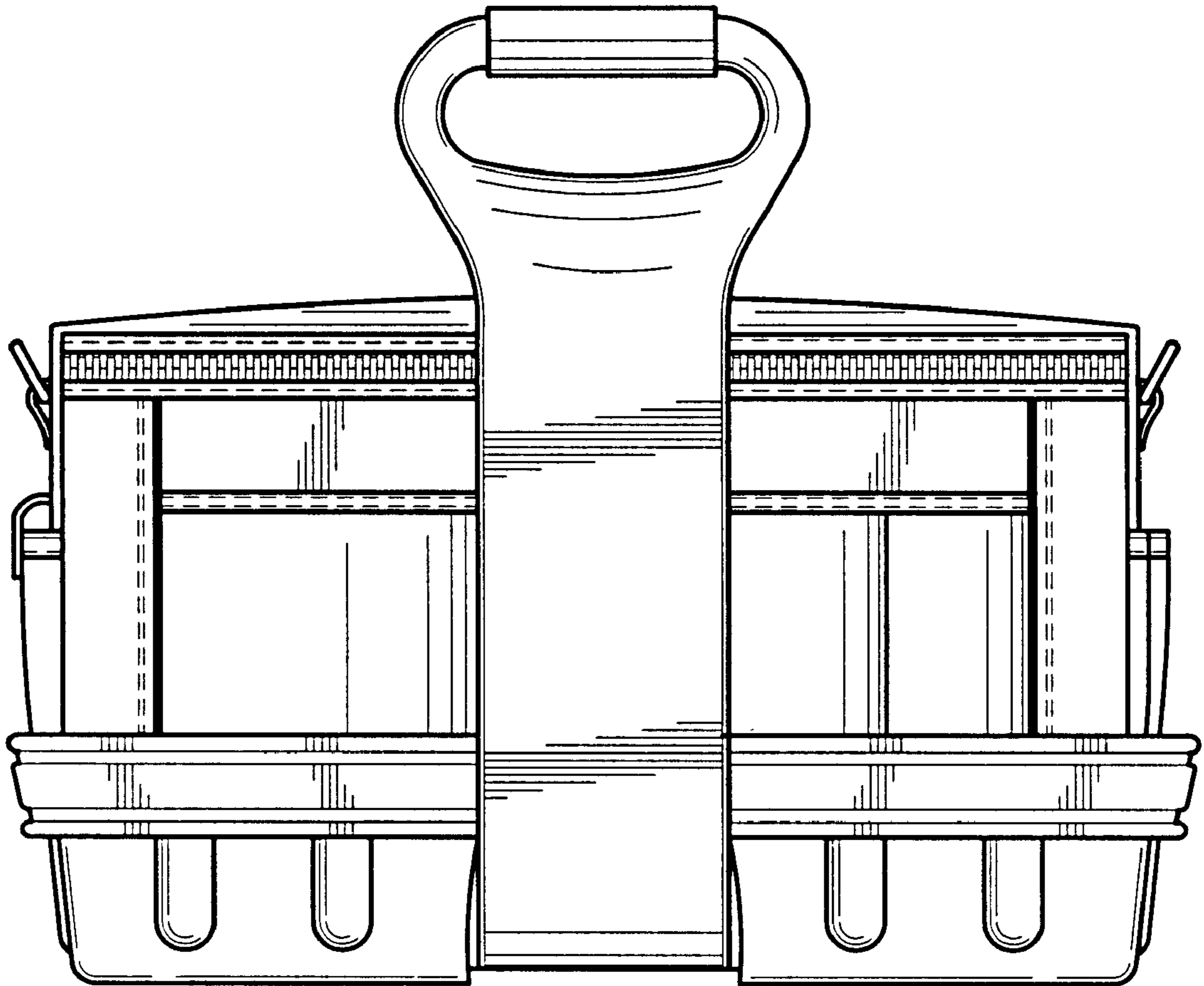


Figure - 7