



US00D447629B1

(12) **United States Design Patent**
Gardner

(10) **Patent No.:** **US D447,629 S**

(45) **Date of Patent:** **** Sep. 11, 2001**

(54) **BAG FOR TRANSPORTING FLOATS**

5,139,187 * 8/1992 Fowler 224/917 X
5,775,495 * 7/1998 Lang 206/315.1

(76) **Inventor:** **Kimberly D. Gardner**, 1075 Riceville Rd., Asheville, NC (US) 28805

* cited by examiner

Primary Examiner—Louis S. Zarfes

Assistant Examiner—Monica A. Weingart

(74) *Attorney, Agent, or Firm*—Carter & Schmedler

(**) **Term:** **14 Years**

(57) **CLAIM**

(21) **Appl. No.:** **29/114,036**

The ornamental design for a bag for transporting floats, as shown and described.

(22) **Filed:** **Nov. 17, 1999**

DESCRIPTION

(51) **LOC (7) Cl.** **03-01**

(52) **U.S. Cl.** **D3/254**

(58) **Field of Search** D3/232, 245, 246,
D3/303, 221, 254; 190/107, 109, 111, 127;
383/4, 40; 206/315.1, 579; 224/917

FIG. 1 is a perspective view of a bag for transporting floats showing my new design:

FIG. 2 is a right side elevational view thereof;

FIG. 3 is a left elevational view thereof;

FIG. 4 is an end view thereof;

FIG. 5 is a top view thereof; and,

FIG. 6 is a bottom view thereof.

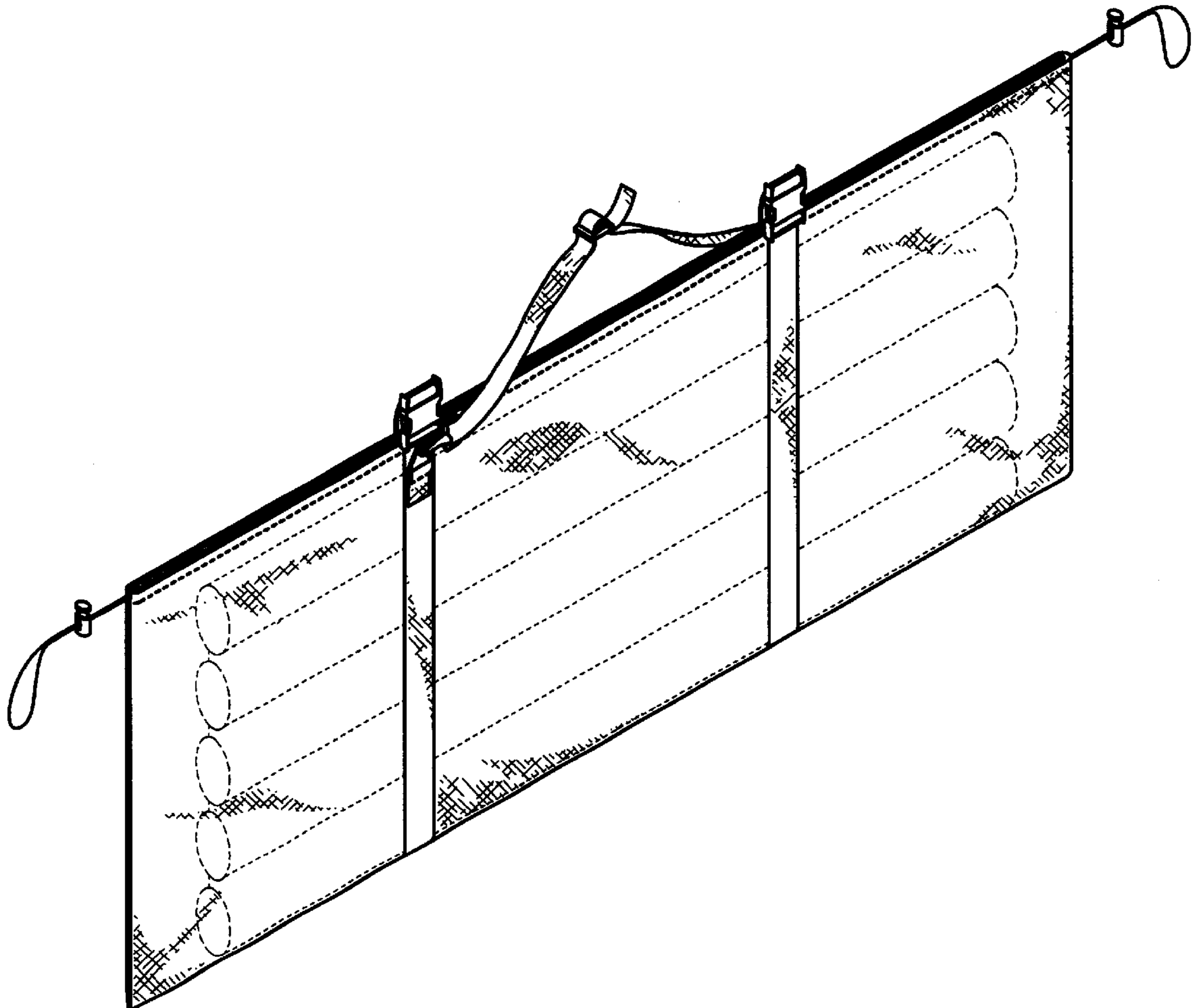
(56) **References Cited**

U.S. PATENT DOCUMENTS

4,182,391 * 1/1980 Kjose 206/315.1 X
4,483,380 * 11/1984 Beran 206/315.1
4,724,989 * 2/1988 Silberberg 224/917 X
4,951,818 * 8/1990 Johnson 206/315.1

The broken line showing of a float, in FIG. 1, is for illustrative purposes only and forms no part of the claimed design.

1 Claim, 4 Drawing Sheets



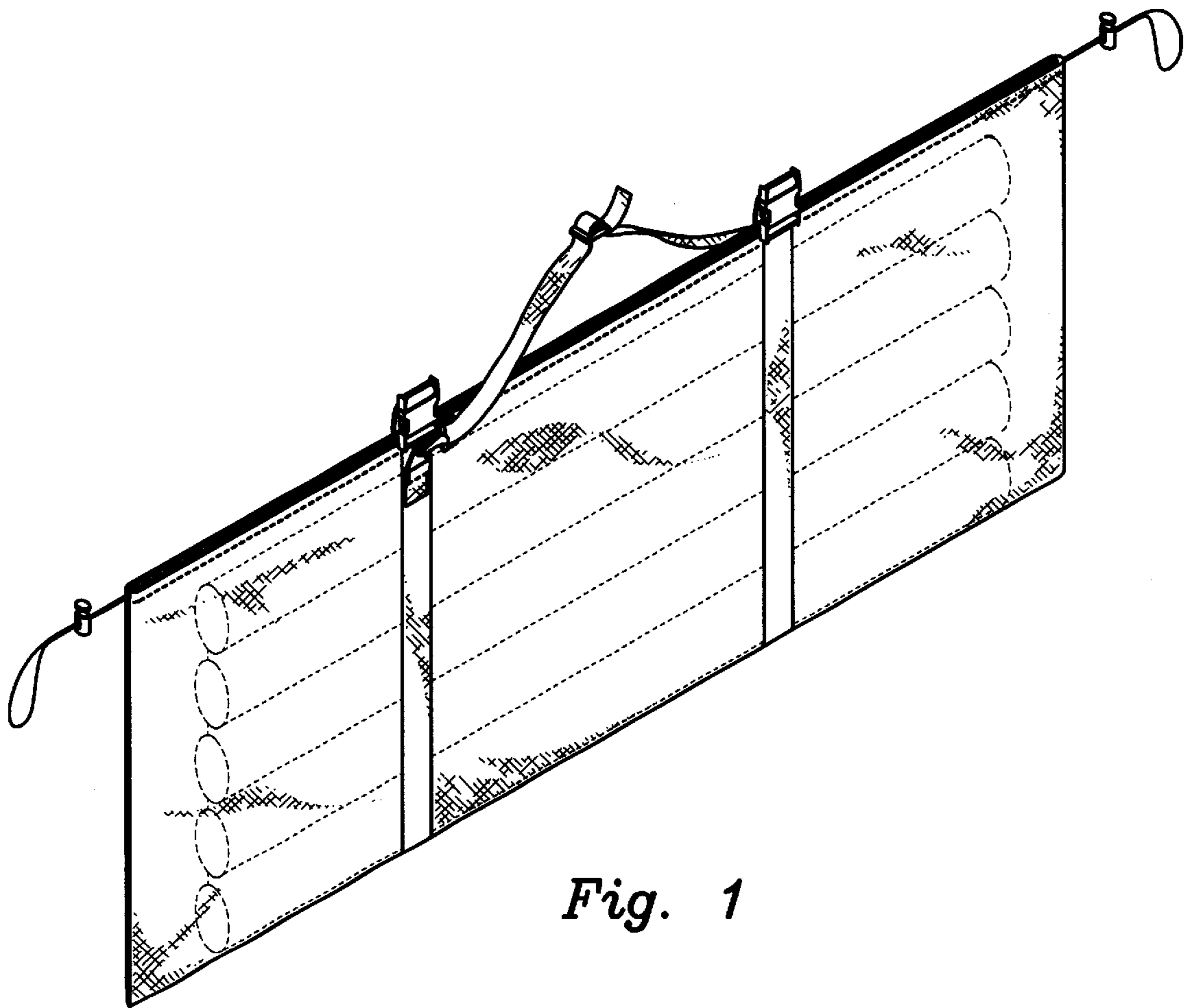


Fig. 1

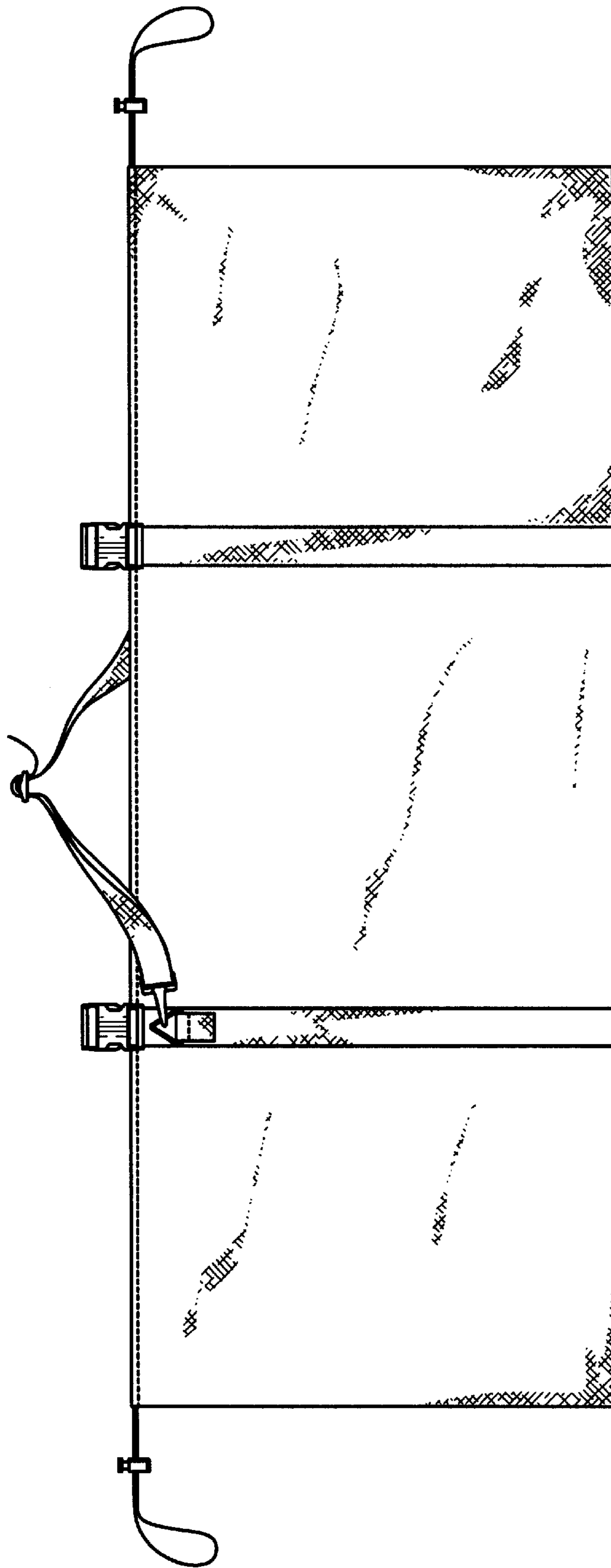


Fig. 2

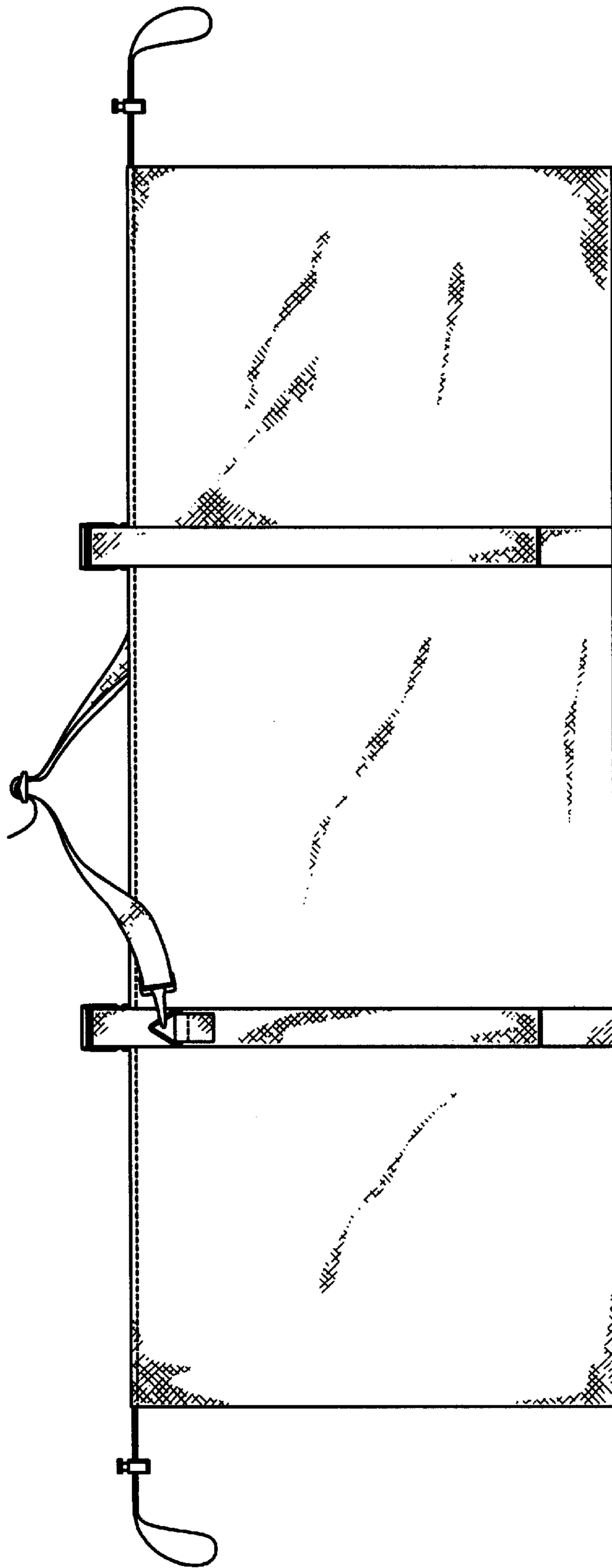


Fig. 3

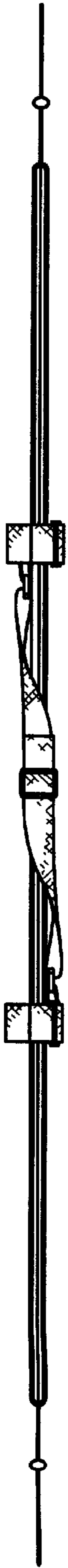


Fig. 5



Fig. 6

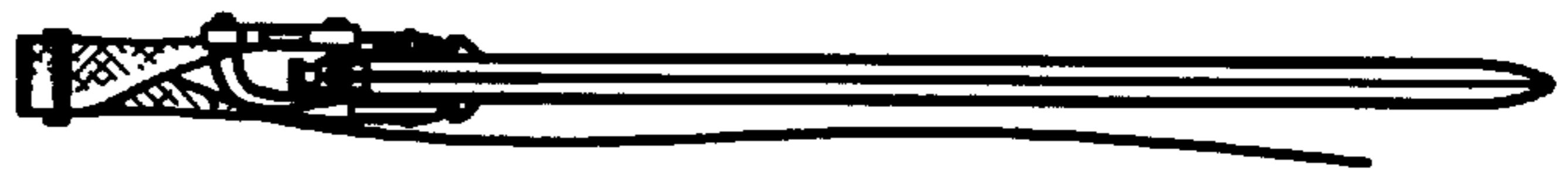


Fig. 4