



US00D447623B1

(12) **United States Design Patent**
Troska

(10) **Patent No.:** **US D447,623 S**

(45) **Date of Patent:** **** Sep. 11, 2001**

(54) **BACK OF HAND FINGER BAG**

1,719,641 * 7/1929 Abrahamson 224/217
5,924,136 * 7/1999 Ogean 224/219

(75) Inventor: **Sylvia Troska, Hilden (DE)**

* cited by examiner

(73) Assignee: **Alessandro GmbH Cosmetics,
Langenfeld (DE)**

Primary Examiner—Catherine R. Oliver
(74) *Attorney, Agent, or Firm*—Harris Beach LLP

(**) Term: **14 Years**

(57) **CLAIM**

(21) Appl. No.: **29/129,882**

The ornamental design for a back of hand finger bag, as shown and described.

(22) Filed: **Sep. 22, 2000**

DESCRIPTION

(30) **Foreign Application Priority Data**

Apr. 1, 2000 (DE) 400 03 413

(51) **LOC (7) Cl.** **03-01**

(52) **U.S. Cl.** **D3/215**

(58) **Field of Search** D3/215, 224, 226,
D3/230; 224/217, 219, 222, 267, 901; 2/159,
160, 163, 170, 917

FIG. 1 is a perspective view of the back of hand finger bag showing my design on the wearer's hand;
FIG. 2 is a perspective view of the invention of FIG. 1;
FIG. 3 is a top plan view of the invention of FIG. 1;
FIG. 4 is a side elevation view of the invention of FIG. 1;
FIG. 5 is a front end view of the invention of FIG. 1;
FIG. 6 is a bottom plan view of the invention of FIG. 1;
FIG. 7 is a back end view of the invention of FIG. 1; and,
FIG. 8 is a perspective view of the invention of FIG. 1 showing the pocket in an open position.

(56) **References Cited**

The broken line showing of environment in FIG. 1 is for illustrative purposes only and forms no part of the claimed design.

U.S. PATENT DOCUMENTS

- D. 249,592 * 9/1978 Libonati D3/230
- D. 327,576 * 7/1992 Kashef D3/226
- D. 371,675 * 7/1996 Carter D3/215
- D. 391,075 * 2/1998 Jackson et al. D3/215

The back of hand finger bag is formed in an ornamental shape which makes it attractive for use for wearing on the wearer's hand.

1 Claim, 4 Drawing Sheets

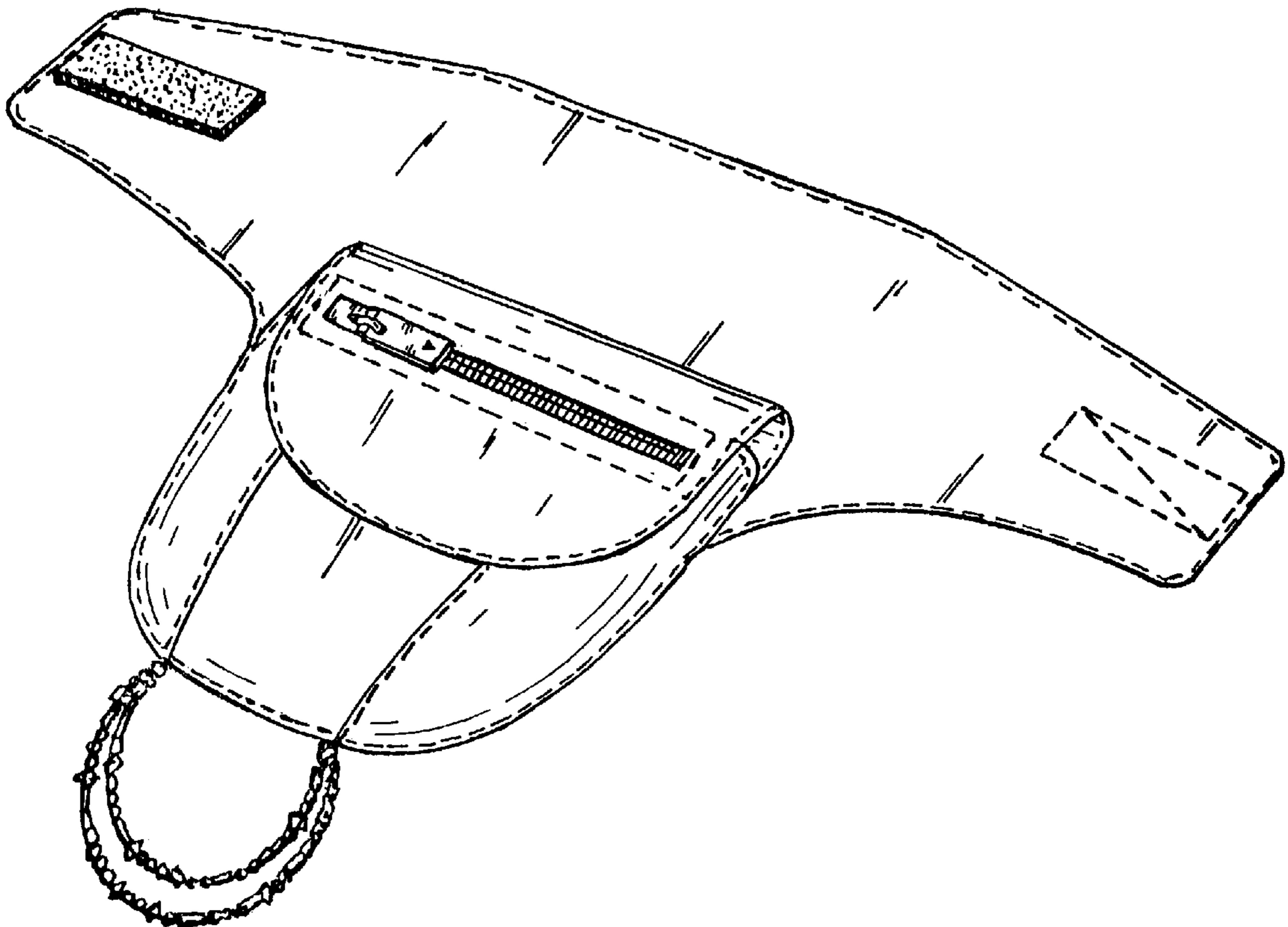


FIG. 1

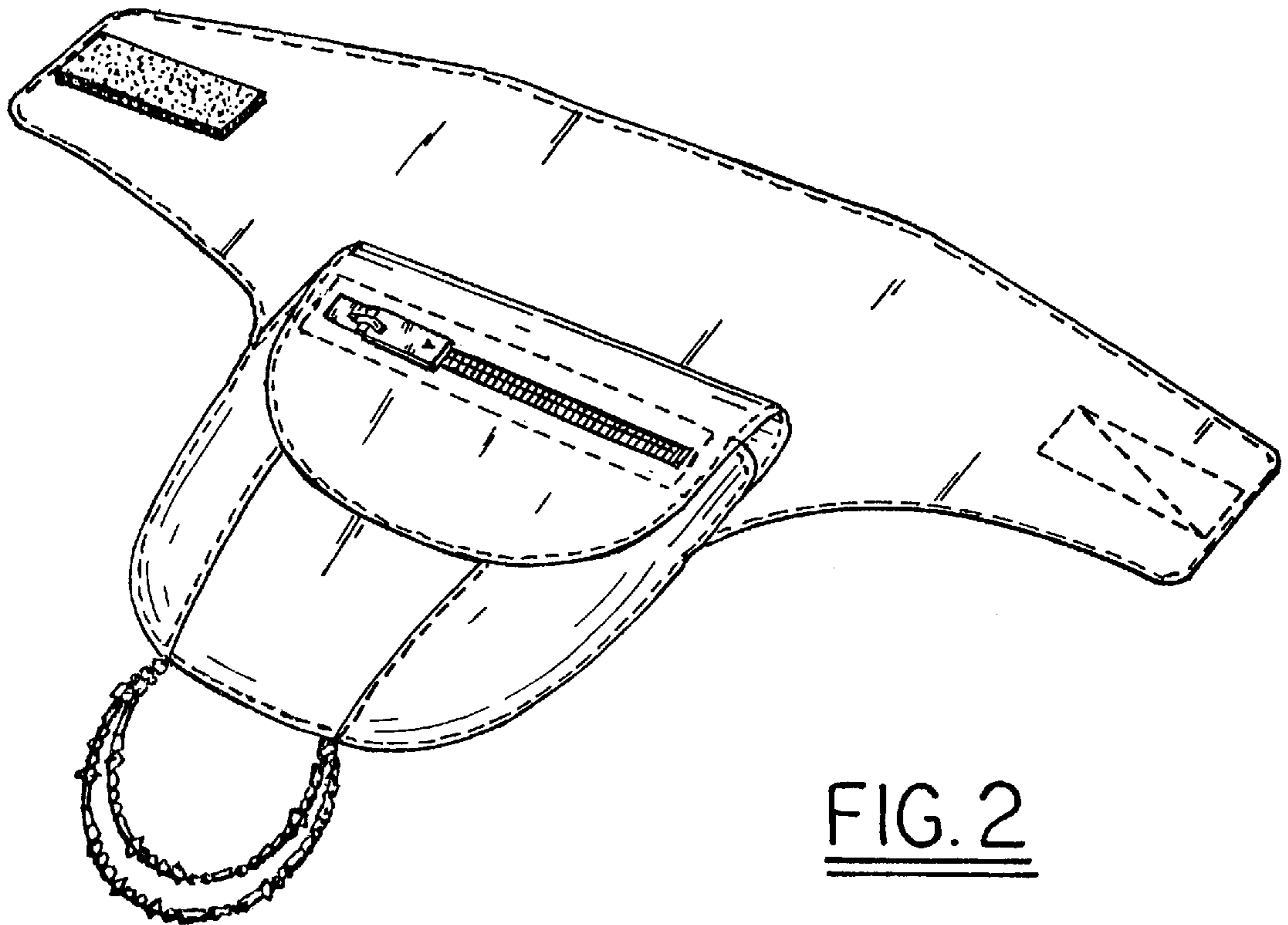
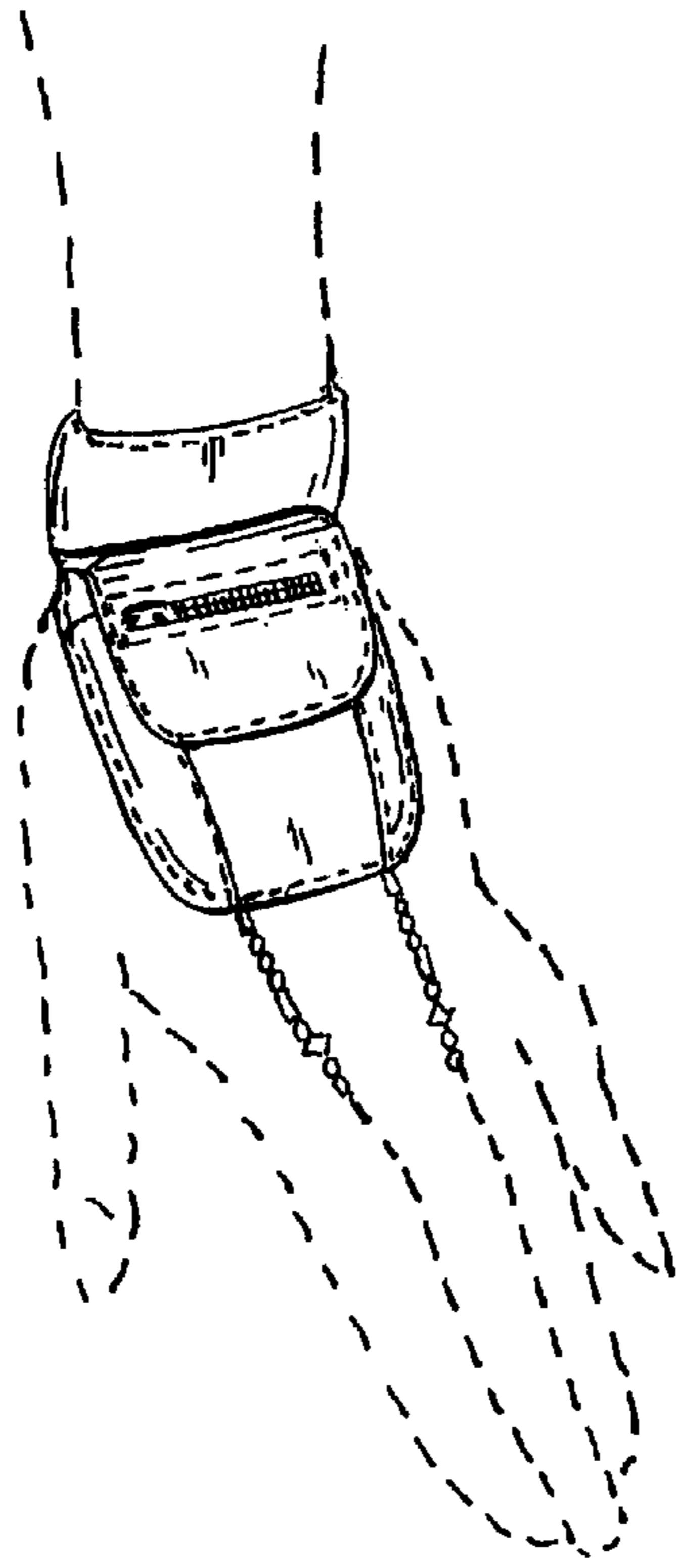


FIG. 2

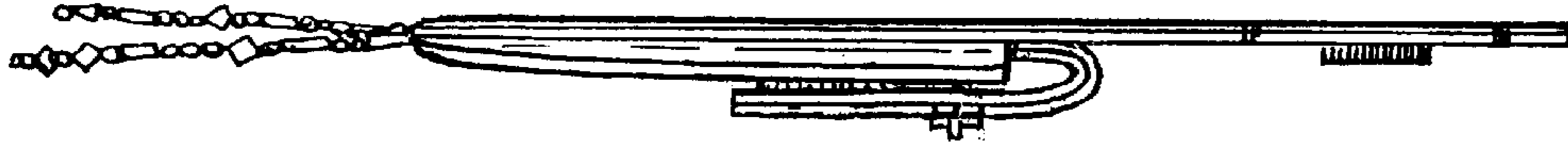


FIG. 4

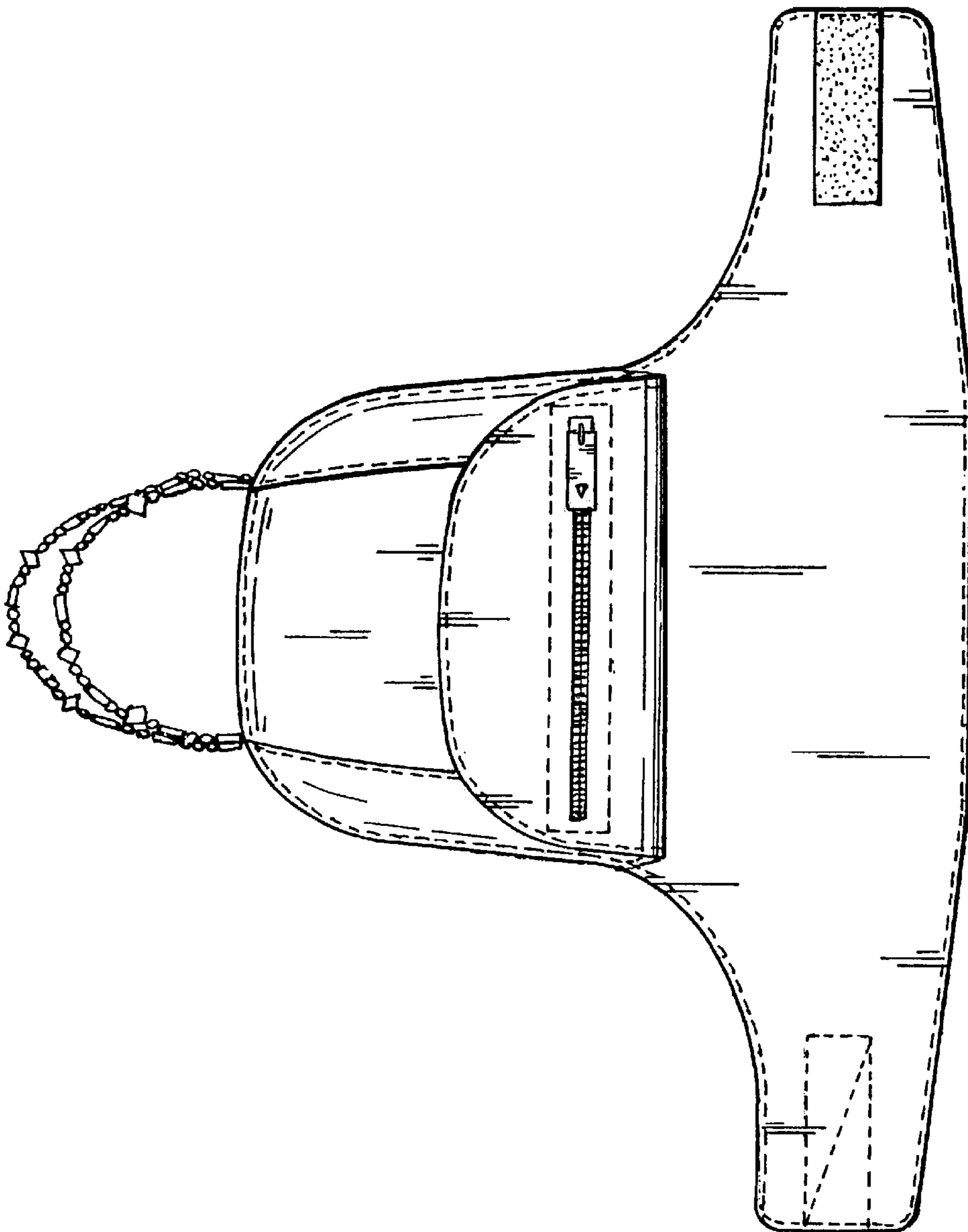


FIG. 3

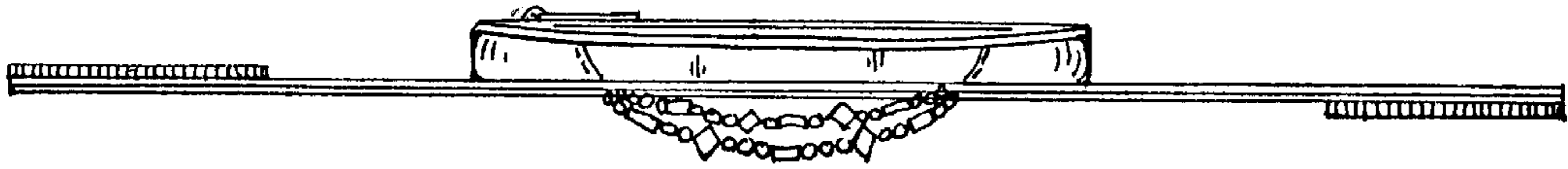


FIG. 5

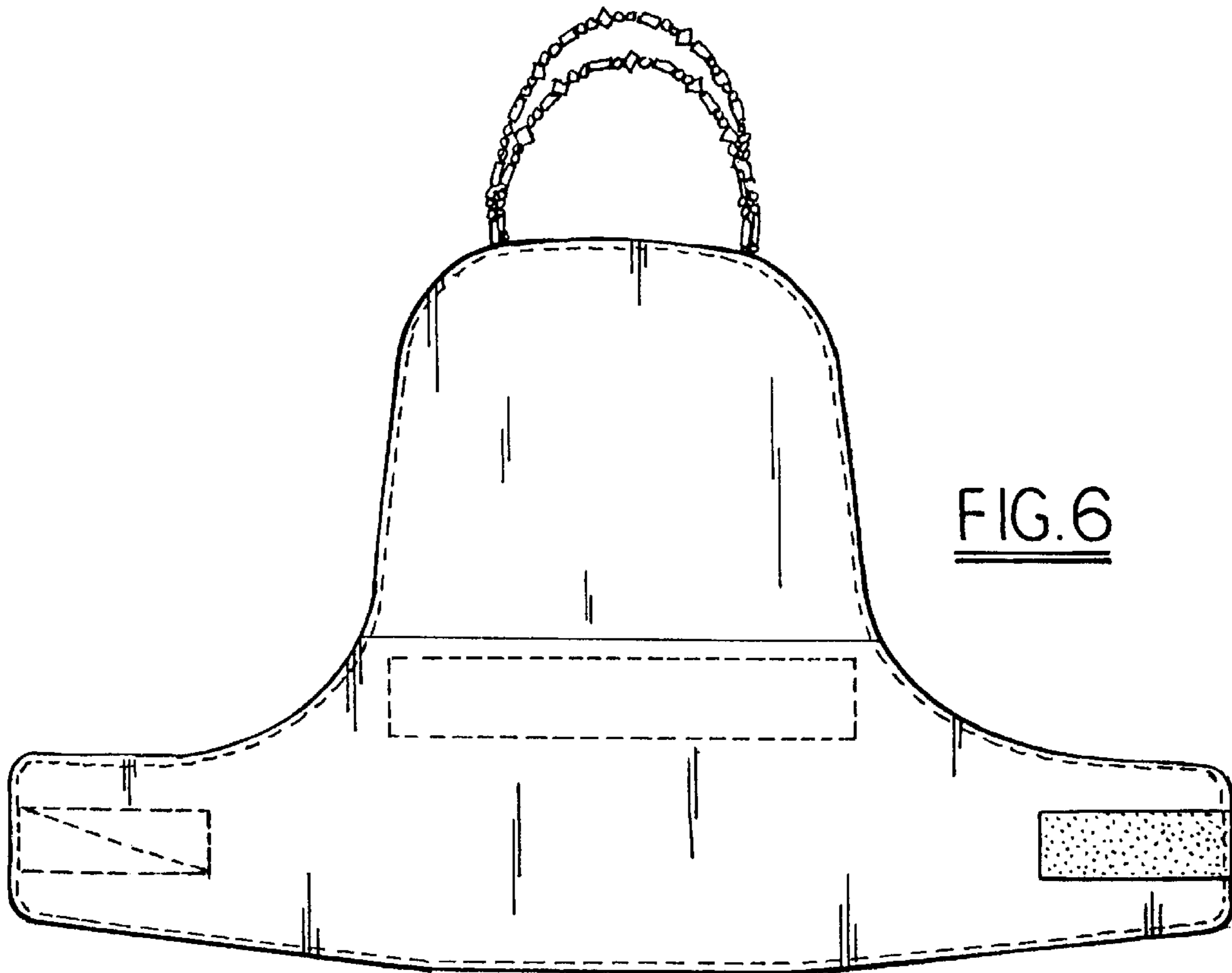


FIG. 6

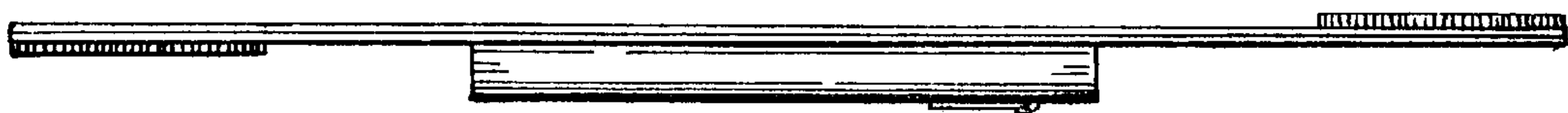


FIG. 7

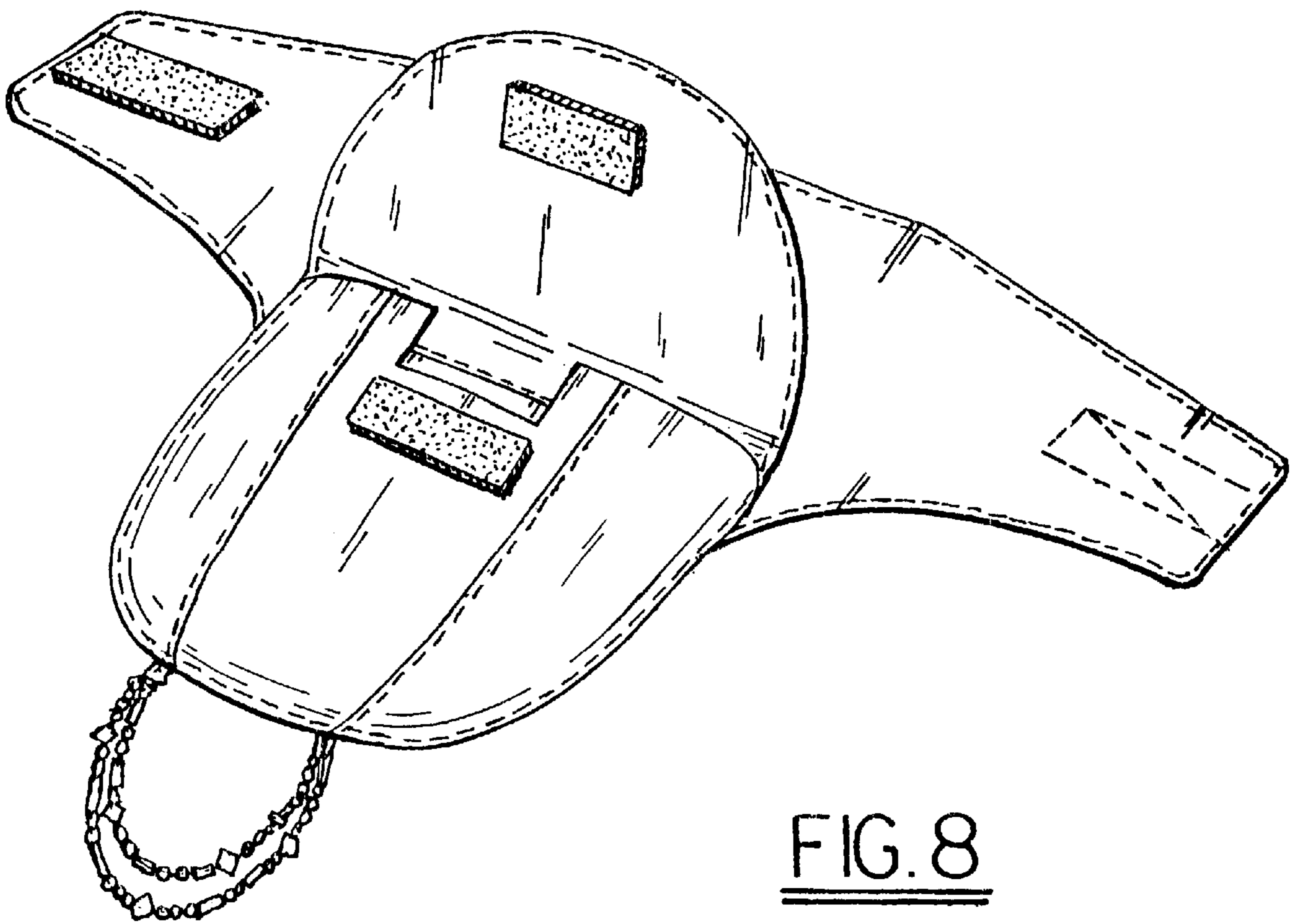


FIG. 8