



US00D447613B1

(12) **United States Design Patent**  
**Swaine**

(10) **Patent No.:** **US D447,613 S**

(45) **Date of Patent:** **\*\* Sep. 4, 2001**

(54) **SELF SERVICE TERMINAL**

(75) Inventor: **Stephen W. Swaine**, Auchterarder (GB)

(73) Assignee: **NCR Corporation**, Dayton, OH (US)

(\*\*) Term: **14 Years**

(21) Appl. No.: **29/124,302**

(22) Filed: **Jun. 2, 2000**

(30) **Foreign Application Priority Data**

Dec. 6, 1999 (GB) ..... 2088600

(51) **LOC (7) Cl.** ..... **14-01**

(52) **U.S. Cl.** ..... **D99/28**

(58) **Field of Search** ..... D99/28, 35, 41;  
D14/307, 371, 387, 900, 901; D18/3.3,  
4.6; D20/4; 232/43.2; 194/350; 235/375,  
379, 380

(56) **References Cited**

**U.S. PATENT DOCUMENTS**

D. 236,635 \* 9/1975 Friedman ..... D99/28

D. 252,410 \* 7/1979 Graser ..... D99/28

D. 276,626 \* 12/1984 Lockwood ..... 235/381

D. 289,778 \* 5/1987 Thomas ..... D20/1

4,359,631 \* 11/1982 Lockwood et al. .... 235/381

\* cited by examiner

*Primary Examiner*—Paula A. Mortimer

(57) **CLAIM**

The ornamental design for a self service terminal, as shown and described.

**DESCRIPTION**

FIG. 1 is a front view of a self service terminal showing my new design;

FIG. 2 is a rear view thereof;

FIG. 3 is a side view, taken from the right side of FIG. 1;

FIG. 4 is a side view, taken from the left side of FIG. 1.

FIG. 5 is a top plan view thereof; and,

FIG. 6 is a left front perspective view from FIG. 1;

**1 Claim, 6 Drawing Sheets**

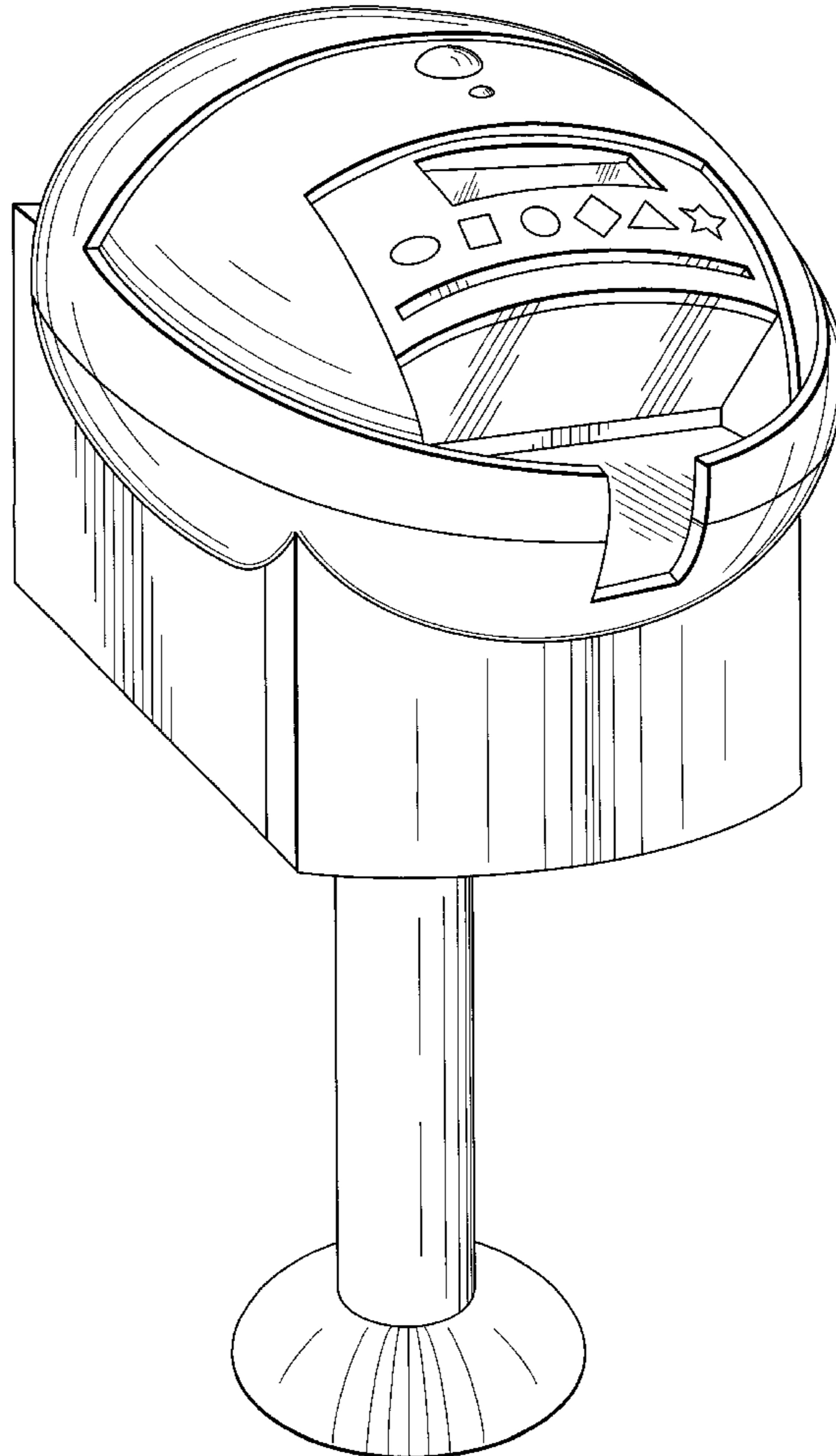
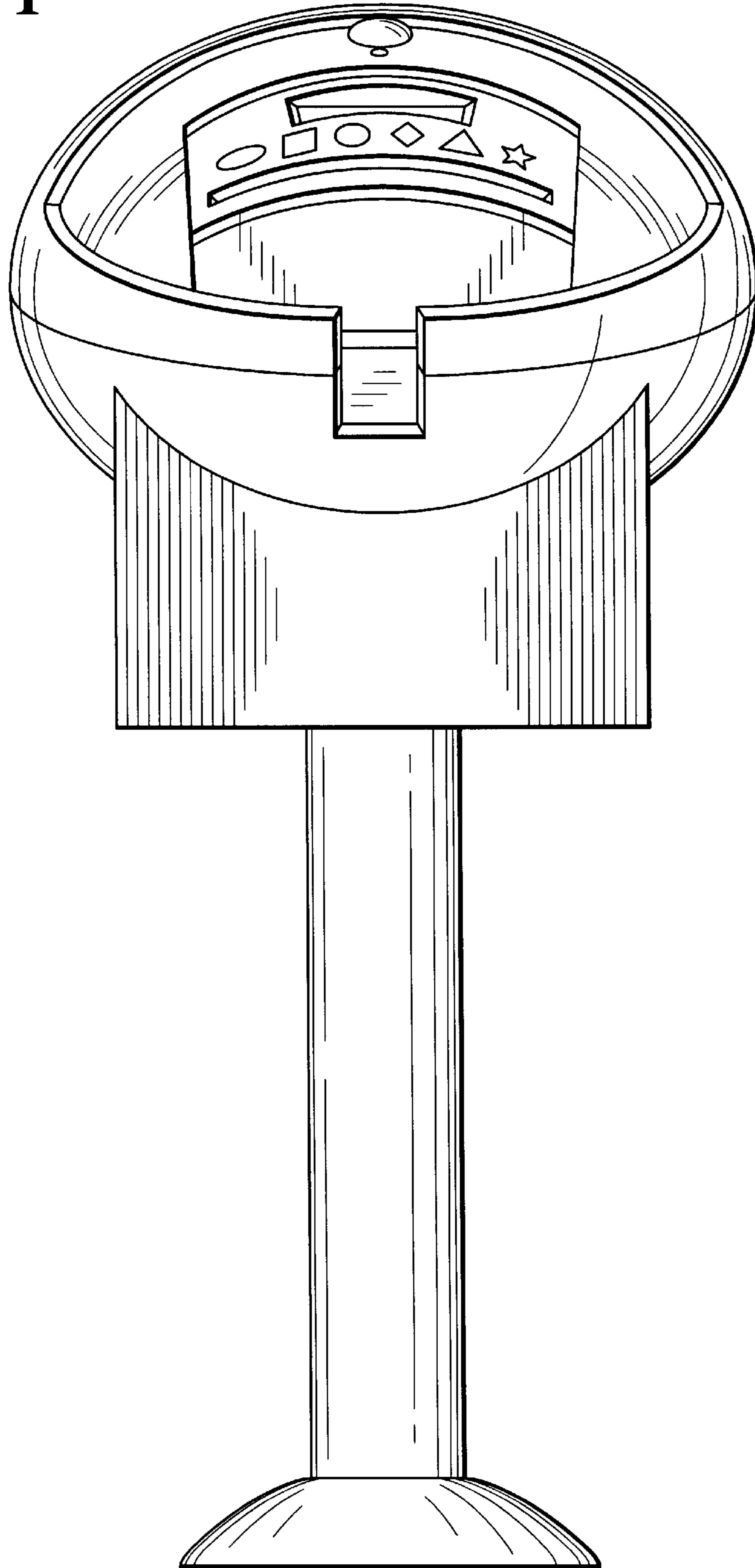
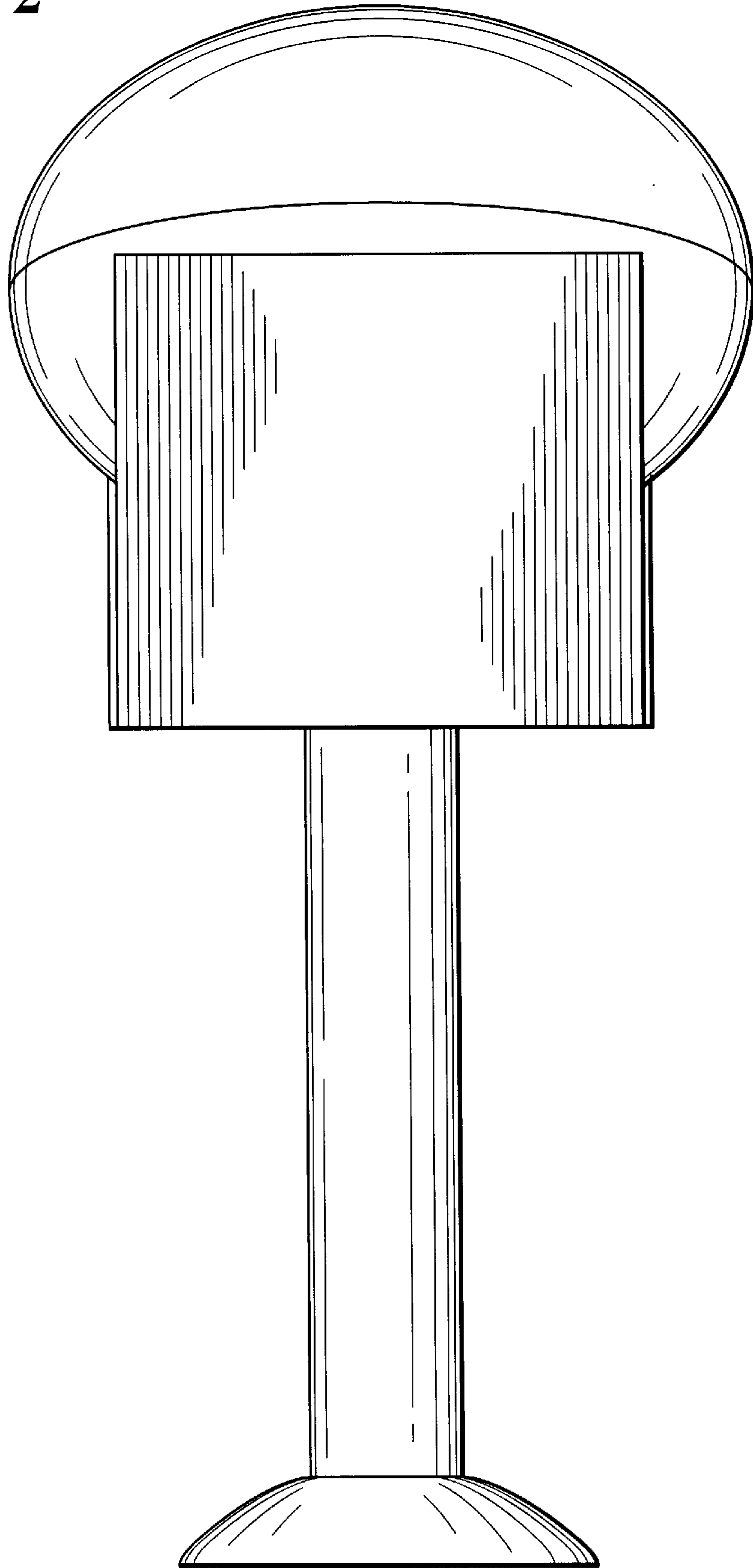


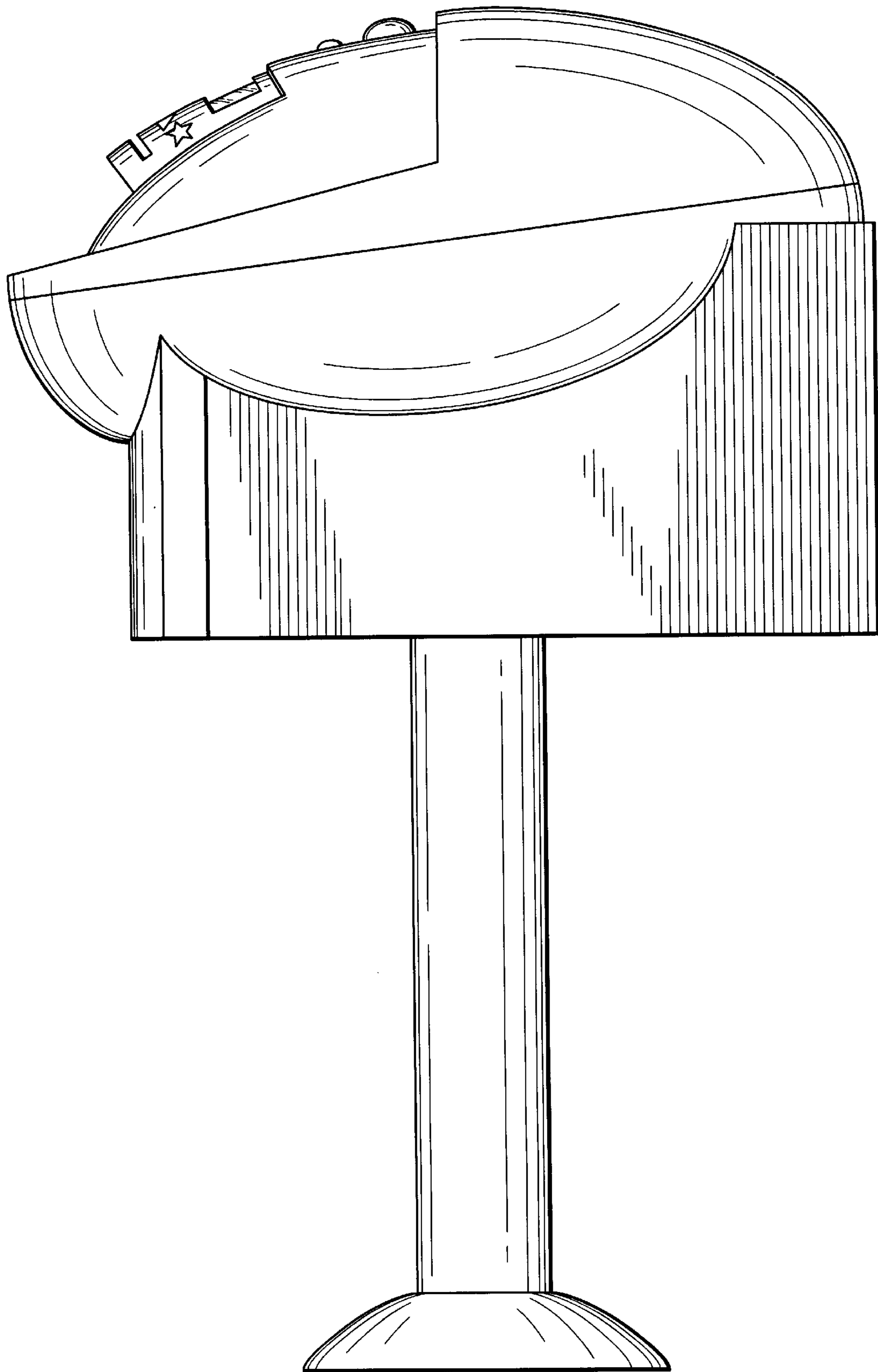
FIG. 1



**FIG. 2**



**FIG. 3**



**FIG. 4**

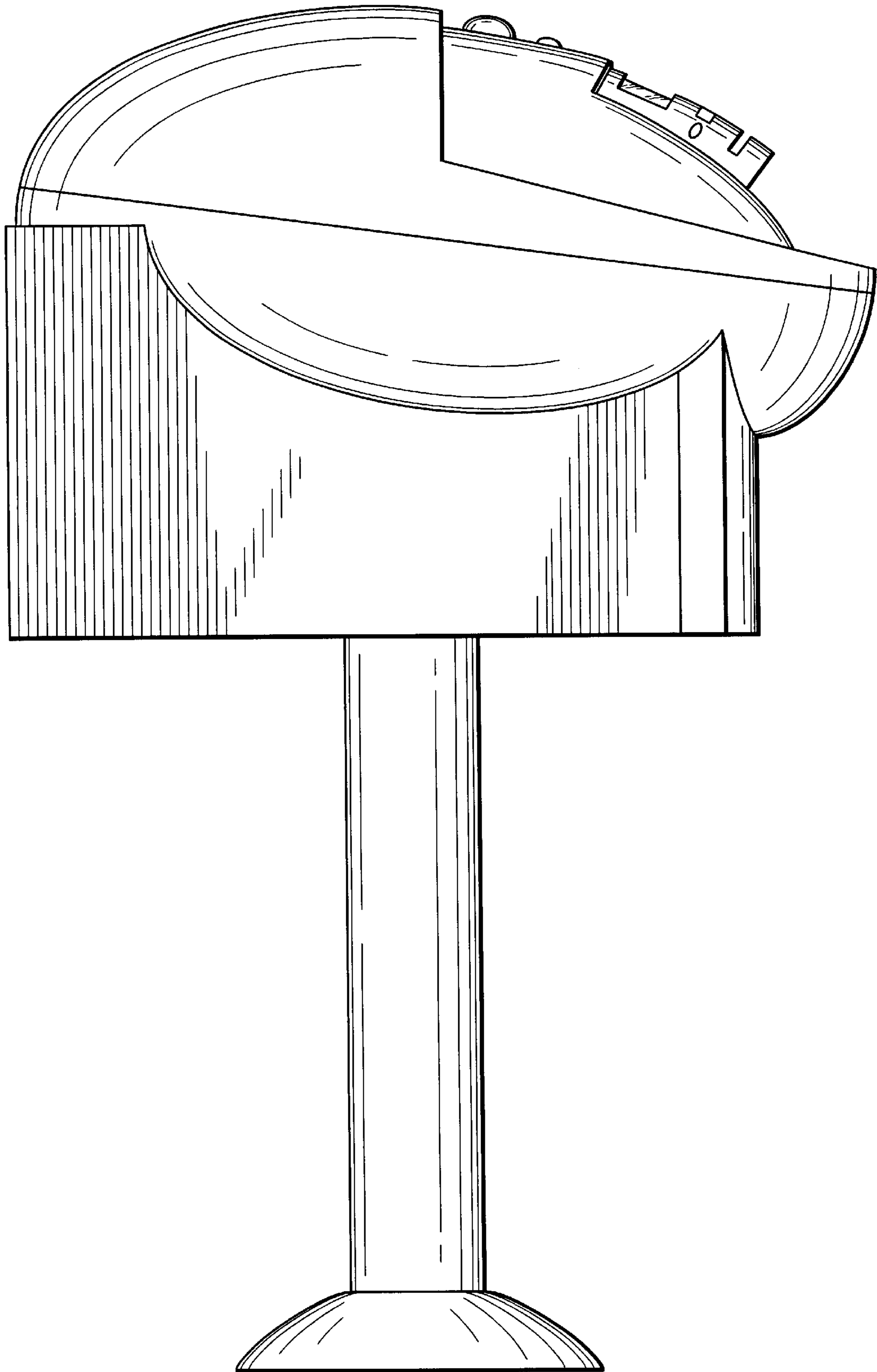


FIG. 5

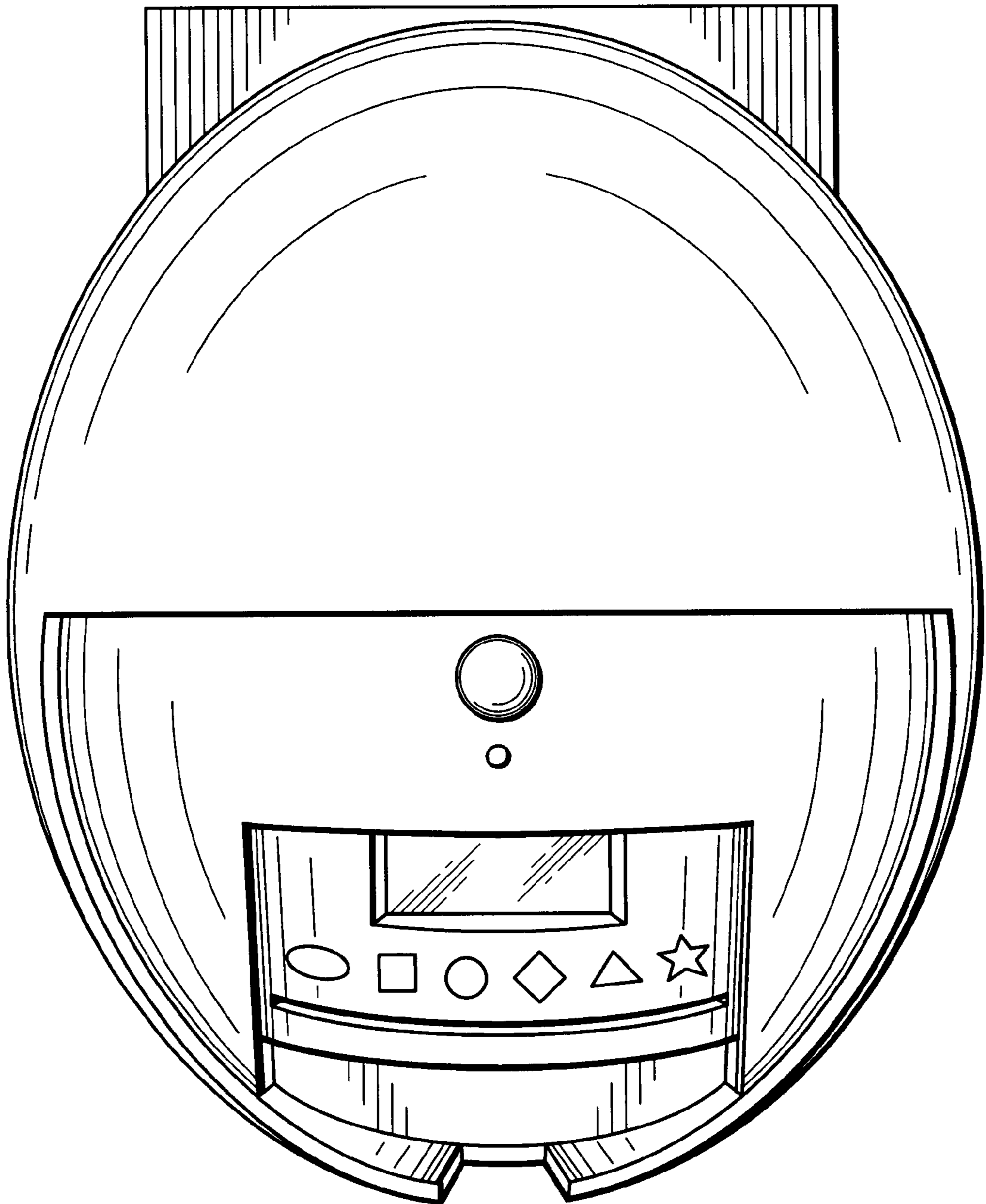


FIG. 6

