



US00D447612B1

(12) **United States Design Patent**  
**Niebuhr**

(10) **Patent No.: US D447,612 S**

(45) **Date of Patent: \*\* Sep. 4, 2001**

(54) **LOW LIFT TRUCK**

(75) Inventor: **Michael Niebuhr**, Bargtehside (DE)

(73) Assignee: **Jungheinrich AG**, Hamburg (DE)

(\*\*) Term: **14 Years**

(21) Appl. No.: **29/113,164**

(22) Filed: **Oct. 29, 1999**

(30) **Foreign Application Priority Data**

Apr. 30, 1999 (DE) ..... 4 99 04 367

(51) **LOC (7) Cl. .... 12-05**

(52) **U.S. Cl. .... D34/34**

(58) **Field of Search** ..... D34/28, 34, 31;  
280/43.12, 43.23; 180/19.1, 19.2, 19.3;  
187/222, 237, 238

(56) **References Cited**

**U.S. PATENT DOCUMENTS**

D. 239,165	*	3/1976	Mono	.....	D34/28
D. 386,876	*	11/1997	Niebuhr	.....	D34/34
D. 401,716	*	11/1998	Marcel	.....	D34/34
D. 408,958	*	4/1999	Schneider	.....	D34/28
D. 419,741	*	1/2000	Johansson	.....	D34/28
2,592,091	*	4/1952	Weaver	.....	280/43.12
2,615,677	*	10/1952	Quayle	.....	280/43.12
2,618,490	*	11/1952	Feischmann	.....	280/43.23
3,068,019	*	12/1962	Ulinski	.....	280/43.23
3,181,640	*	5/1965	Goodacre et al.	.....	280/43.12
3,190,994	*	6/1965	Becker et al.	.....	280/43.12
3,243,194	*	3/1966	Trusock	.....	280/43.12
3,249,170	*	5/1966	Quayle	.....	180/19.1

3,261,617	*	7/1966	Becker et al.	.....	180/19.2
3,276,787	*	10/1966	Klemick et al.	.....	180/19.2
3,286,985	*	11/1966	Edera	.....	280/43.12
3,843,147	*	10/1974	Fredricson	.....	280/43.12
4,047,698	*	9/1977	Ellis	.....	280/43.12
4,221,526	*	9/1980	Crandall	.....	280/43.12
4,223,901	*	9/1980	Klemick	.....	280/43.12
4,287,959	*	9/1981	Inman	.....	180/19.1
4,444,284	*	4/1984	Montemurro	.....	180/19.1
4,497,501	*	2/1985	Kedem	.....	280/43.12
4,589,669	*	5/1986	Kedem	.....	280/43.12
4,615,533	*	10/1986	Sewell	.....	280/43.12
4,669,561	*	6/1987	Sheen	.....	180/19.1
4,969,794	*	11/1990	Larsen	.....	280/43.12
5,590,735	*	1/1997	Cartier	.....	180/19.2
5,964,313	*	10/1999	Guy	.....	180/19.1
6,125,971	*	10/2000	Niebuhr et al.	.....	187/237

\* cited by examiner

*Primary Examiner*—Cynthia E. Ramirez

(74) *Attorney, Agent, or Firm*—Vidas, Arrett & Steinkraus P.A.

(57) **CLAIM**

The ornamental design for a low lift truck, as shown.

**DESCRIPTION**

FIG. 1 is a front perspective view from the right side of the low lift truck; and,

FIG. 2 is a rear perspective view from the right side of the low lift truck.

The surface(s) or portion(s) of the article not shown in the drawing or described in the specification form(s) no part of the claimed design.

**1 Claim, 2 Drawing Sheets**

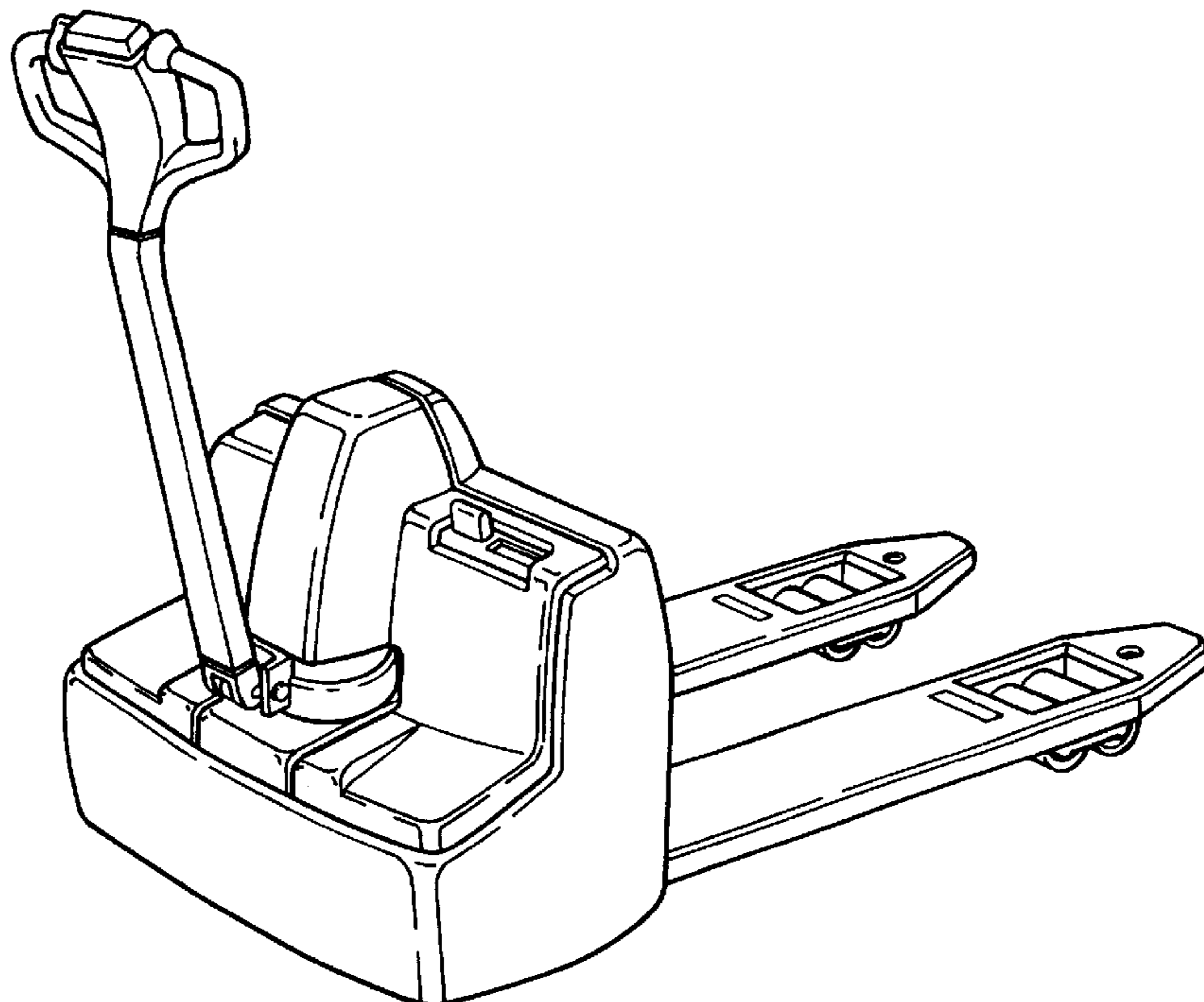


Fig. 1

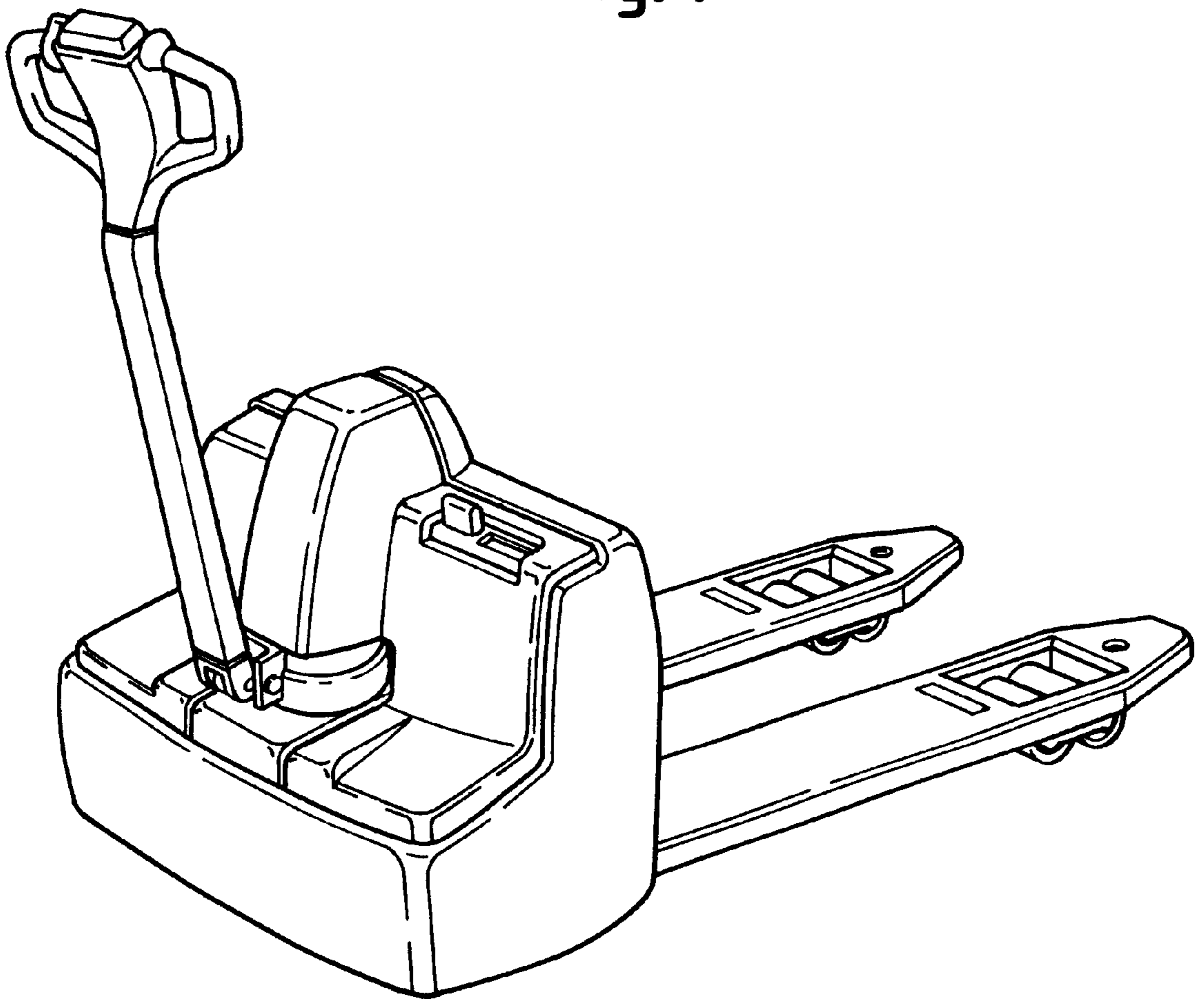


Fig. 2

