



US00D447609B1

(12) **United States Design Patent**
Hult et al.

(10) **Patent No.:** **US D447,609 S**

(45) **Date of Patent:** **** Sep. 4, 2001**

(54) **COMBINED WET/DRY VACUUM CLEANER
DOLLY AND ACCESSORY STORAGE UNIT**

(75) **Inventors:** **David R. Hult; Jeff L. Young**, both of
St. Peters; **Kiyoshi Hoshino**,
Chesterfield, all of MO (US)

(73) **Assignee:** **Emerson Electric Co.**, St. Louis, MO
(US)

(**) **Term:** **14 Years**

(21) **Appl. No.:** **29/092,938**

(22) **Filed:** **Aug. 31, 1998**

(51) **LOC (7) Cl.** **15-05**

(52) **U.S. Cl.** **D32/31**

(58) **Field of Search** D32/21-24, 31,
D32/34; 15/327.1, 327.2, 327.4, 327.6,
320-321, 323, 352, 353, 347, 328; 16/45,
38, 31 R; 301/111

(56) **References Cited**

U.S. PATENT DOCUMENTS

D. 226,822	*	5/1973	Haynes	D32/31
D. 349,995	*	8/1994	Cassel et al.	D34/23
D. 354,380	*	1/1995	Stephens	D32/31
D. 361,179	*	8/1995	Moine et al.	D32/23
D. 362,091	*	9/1995	Tomasiak et al.	D32/23
D. 373,862	*	9/1996	Stephens et al.	D32/23
D. 374,523	*	10/1996	Tomasiak	D32/31

D. 384,448	*	9/1997	Stephens et al.	D32/23
D. 414,305	*	9/1999	Rohn et al.	D32/31
2,920,337	*	1/1960	Smith	15/323
5,528,794	*	6/1996	Tomasiak	15/323
5,560,075		10/1996	Jankowski	15/327.6
5,598,605		2/1997	Tomasiak	16/45
5,606,769		3/1997	Tomasiak et al.	15/327.6
5,608,945		3/1997	Crouser et al.	15/328
5,611,107		3/1997	Tomasiak et al.	15/327.2

* cited by examiner

Primary Examiner—Ruth McInroy

(74) *Attorney, Agent, or Firm*—Howrey, Simon, Arnold and
White, L.L.P.

(57) **CLAIM**

The ornamental design for a combined wet/dry vacuum cleaner dolly and accessory storage unit, as shown and described.

DESCRIPTION

FIG. 1 is a top and rear perspective view of a combined wet/dry vacuum cleaner dolly and accessory storage unit showing our new design;

FIG. 2 is a side perspective view thereof;

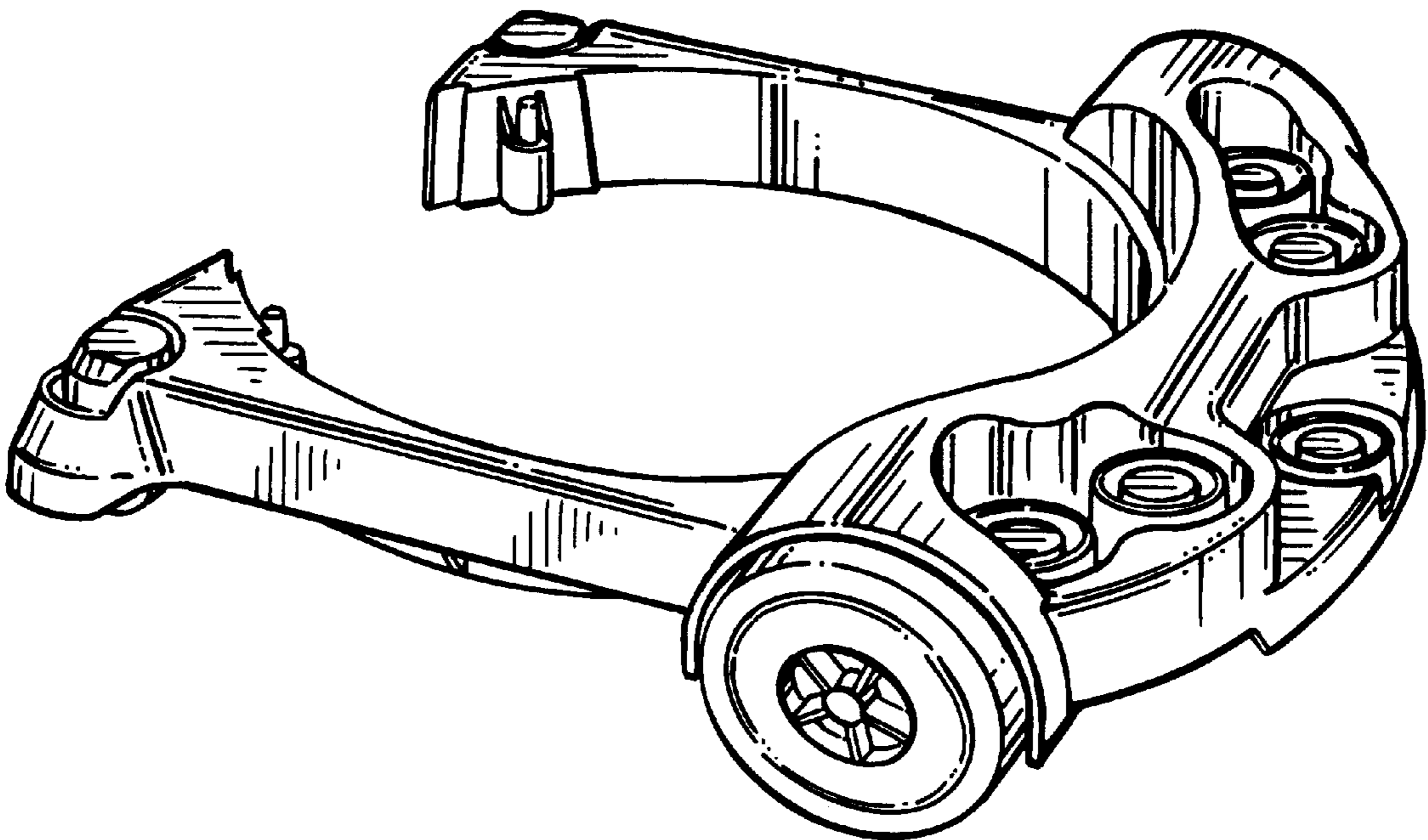
FIG. 3 is a rear perspective view thereof;

FIG. 4 is a front perspective view thereof;

FIG. 5 is a top perspective view thereof; and,

FIG. 6 is a bottom perspective view thereof.

1 Claim, 3 Drawing Sheets



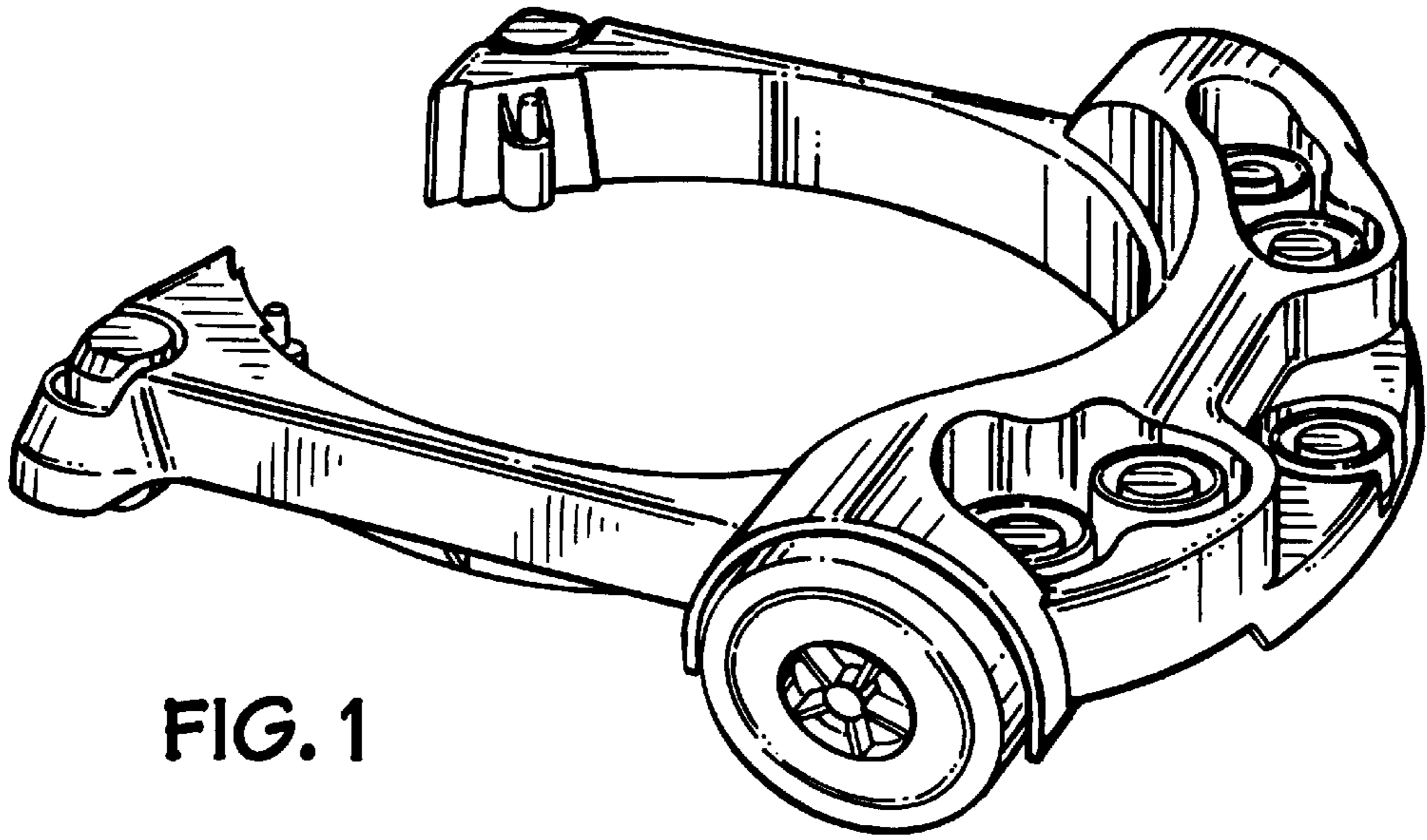


FIG. 1

FIG. 5

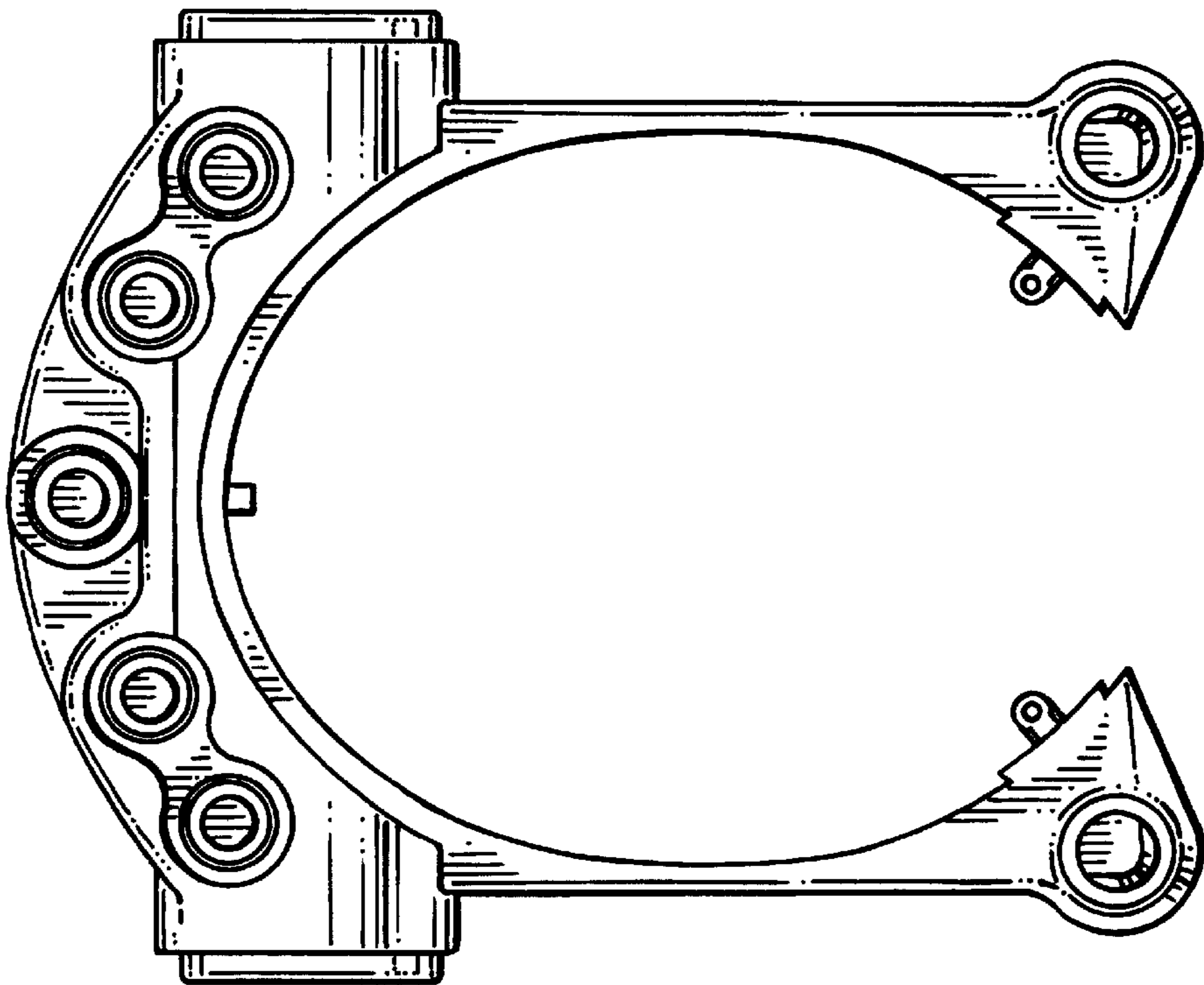


FIG. 2

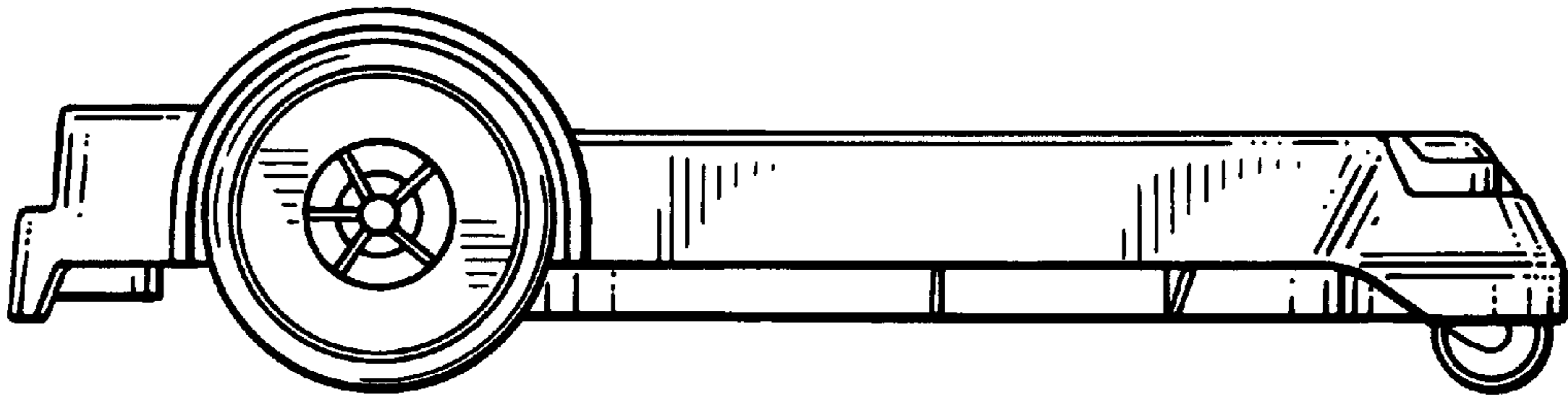


FIG. 3

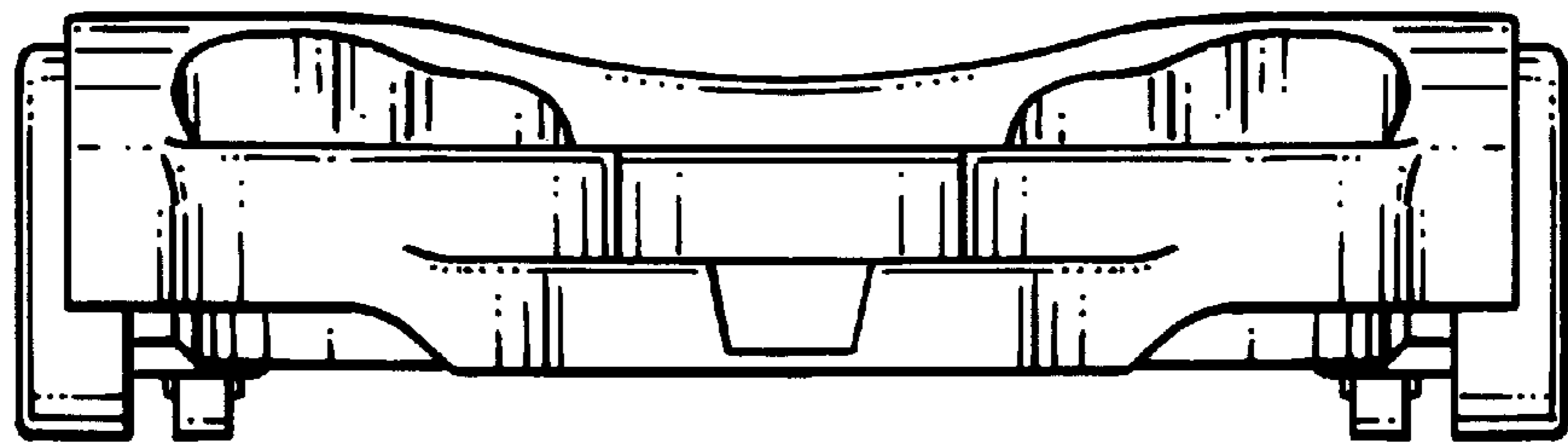
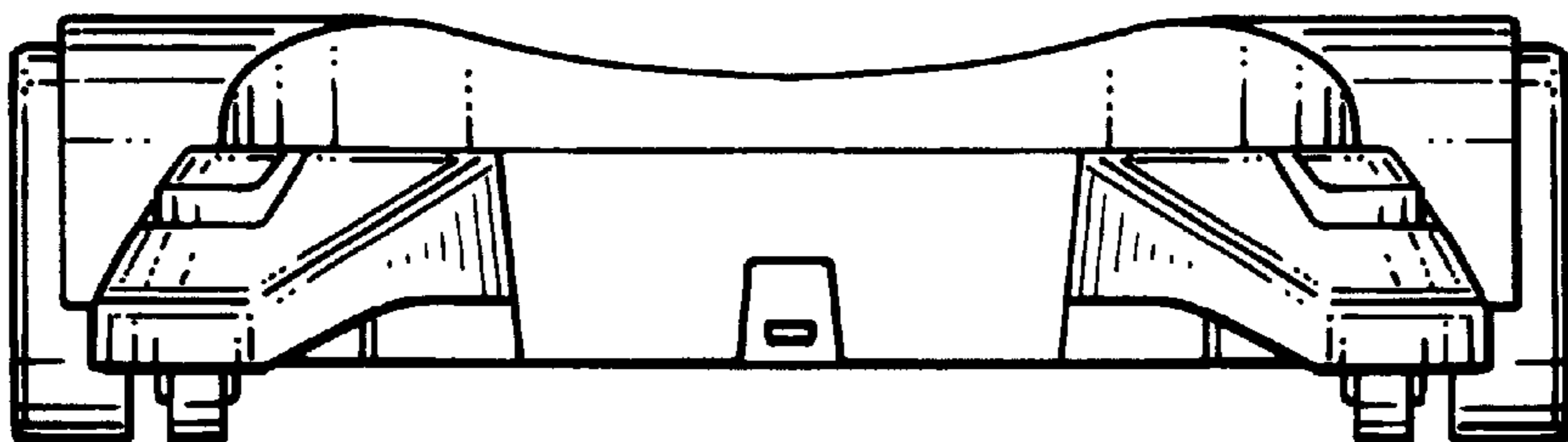


FIG. 4



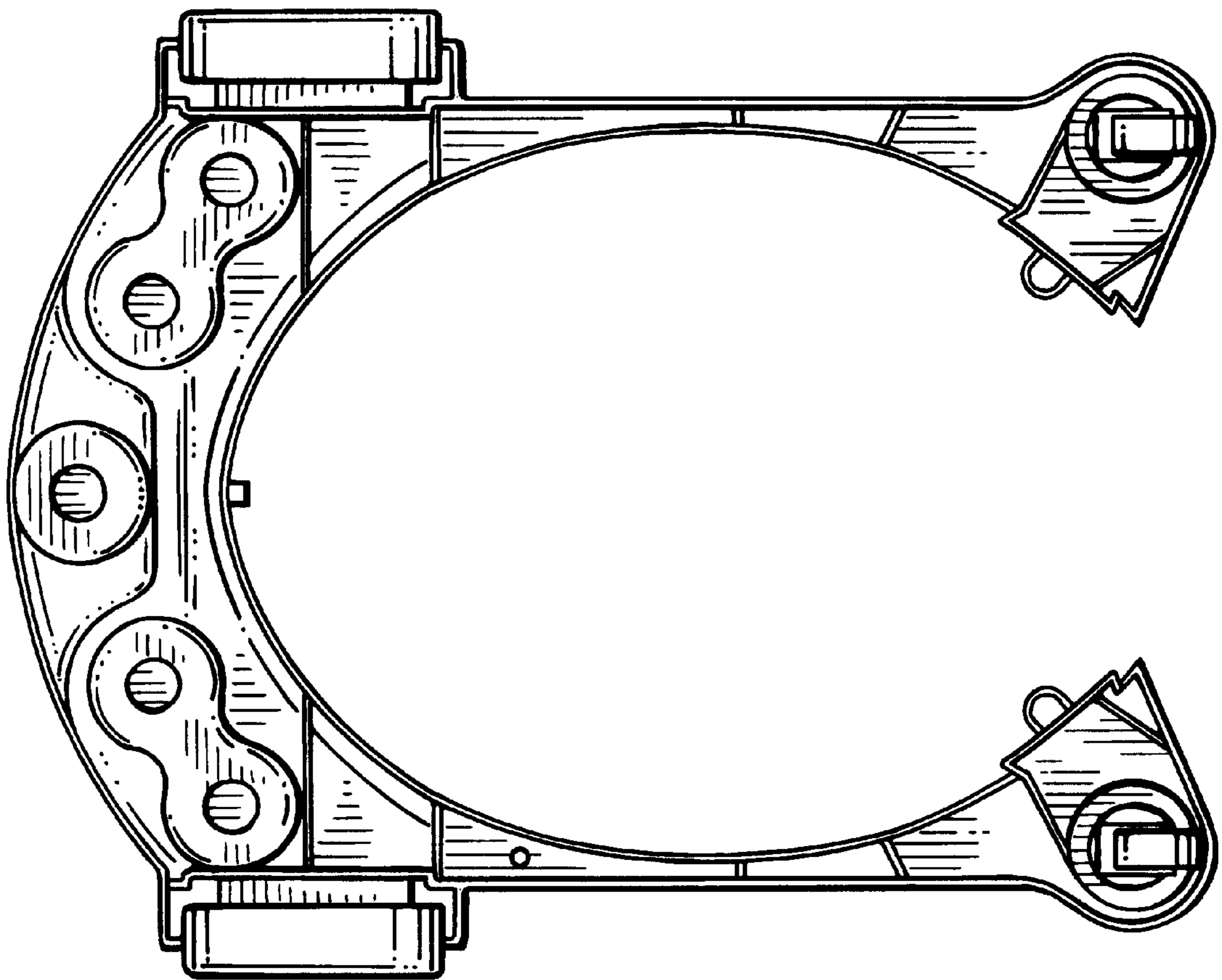


FIG. 6