



US00D447594B1

(12) **United States Design Patent**
Orozco

(10) **Patent No.:** **US D447,594 S**

(45) **Date of Patent:** **** Sep. 4, 2001**

(54) **LAMP**

(75) **Inventor:** **Sergio J. Orozco**, West New York, NJ (US)

(73) **Assignee:** **Quoizel, Inc.**, Goose Creek, SC (US)

(**) **Term:** **14 Years**

(21) **Appl. No.:** **29/126,365**

(22) **Filed:** **Jul. 13, 2000**

(51) **LOC (7) Cl.** **26-03**

(52) **U.S. Cl.** **D26/106**

(58) **Field of Search** D26/92-112, 142;
362/410-414, 806

(56) **References Cited**

U.S. PATENT DOCUMENTS

- D. 55,818 * 7/1920 Robb D26/101
- D. 97,862 * 12/1935 Perlmutter D26/106
- D. 318,741 * 7/1991 Drucker D26/110

OTHER PUBLICATIONS

Home Lighting & Accessories, May 1998, lamp bases on p. 121.*

Home Lighting & Accessories, Oct. 1997, Quoizel lamp base on p. 42.*

Item No. QG 6207 BS, Catalog p. 56, Quoizel catalog, 2000. Item Nos. 8720 PB and 8723 PB, Catalog p. 236, Murray Feiss catalog.

* cited by examiner

Primary Examiner—Alan P. Douglas

Assistant Examiner—Linda Brooks

(74) *Attorney, Agent, or Firm*—Nelson Mullins Riley & Scarborough

(57) **CLAIM**

The ornamental design for a lamp, substantially as shown and described.

DESCRIPTION

FIG. 1 is a perspective view of a lamp embodying the design of the present invention.

FIG. 2 is a front elevational view of the lamp illustrated in FIG. 1, the back side elevational view being identical thereto.

FIG. 3 is a left side elevational view of the lamp of FIG. 1, with the right side elevational view being identical thereto.

FIG. 4 is a top view of the lamp of FIG. 1; and,

FIG. 5 is a bottom view of the lamp of FIG. 1.

The lamp shade shown in broken lines does not form a part of the claimed design.

1 Claim, 5 Drawing Sheets

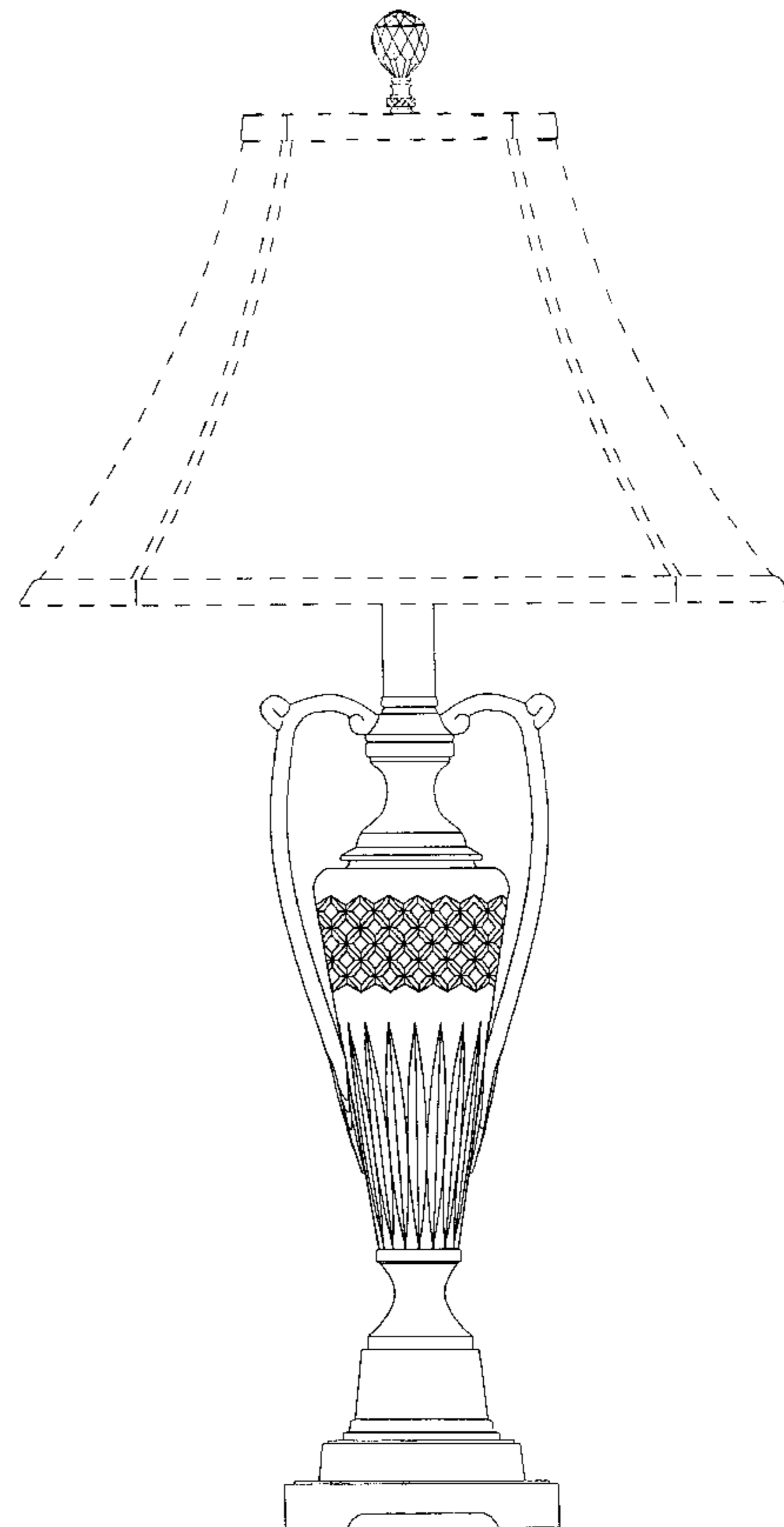
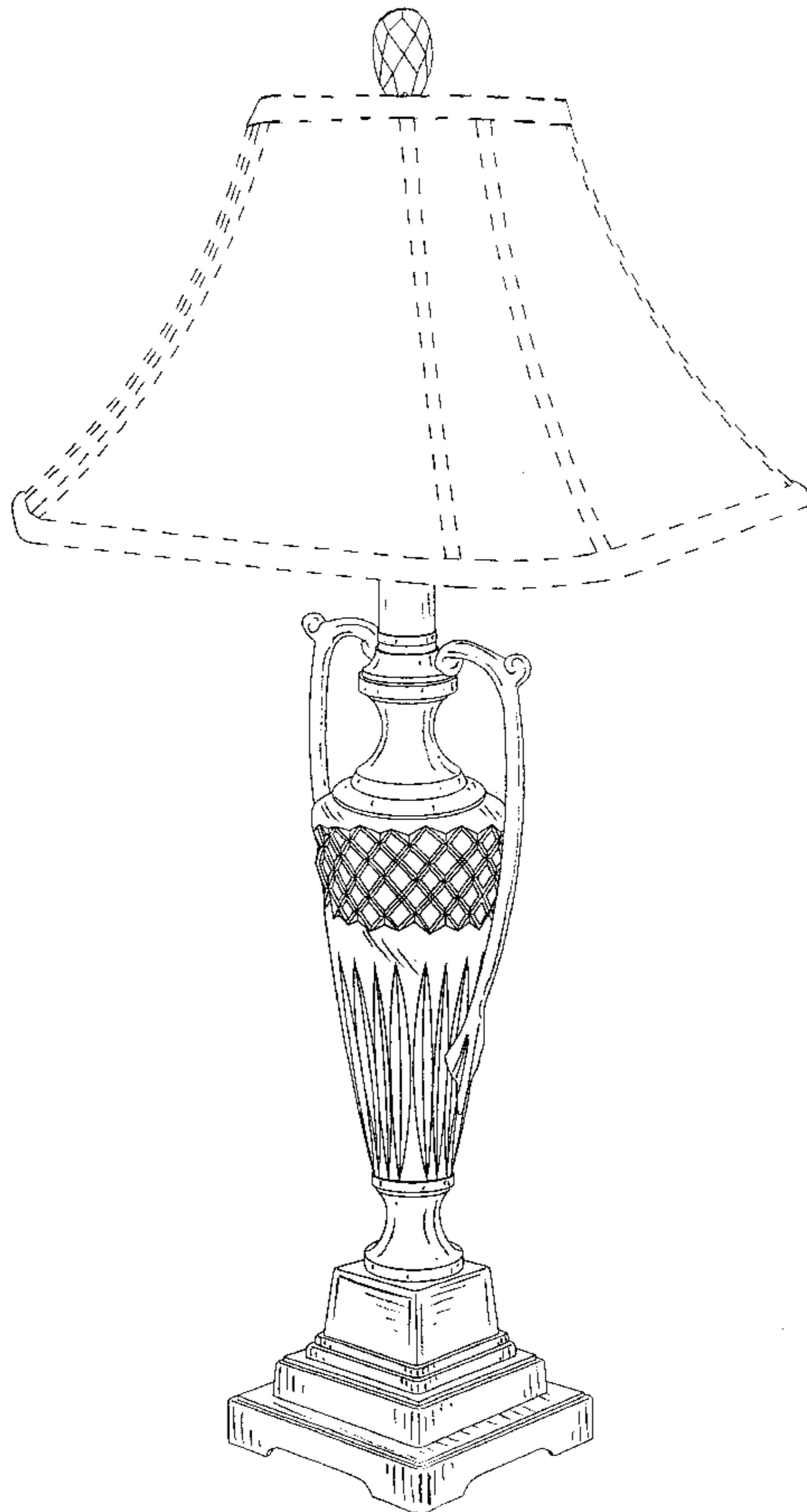


FIG. 1

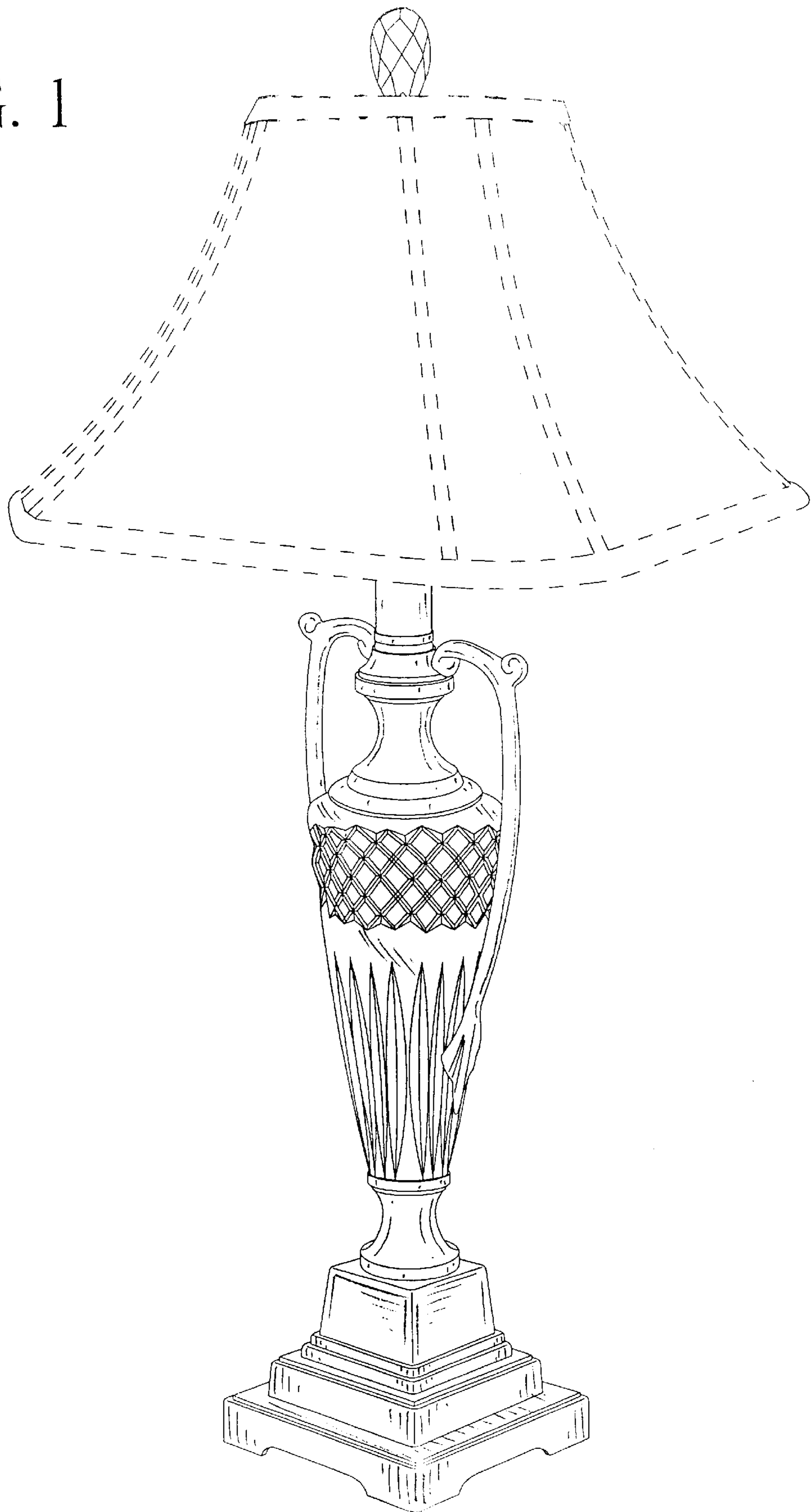


FIG. 2

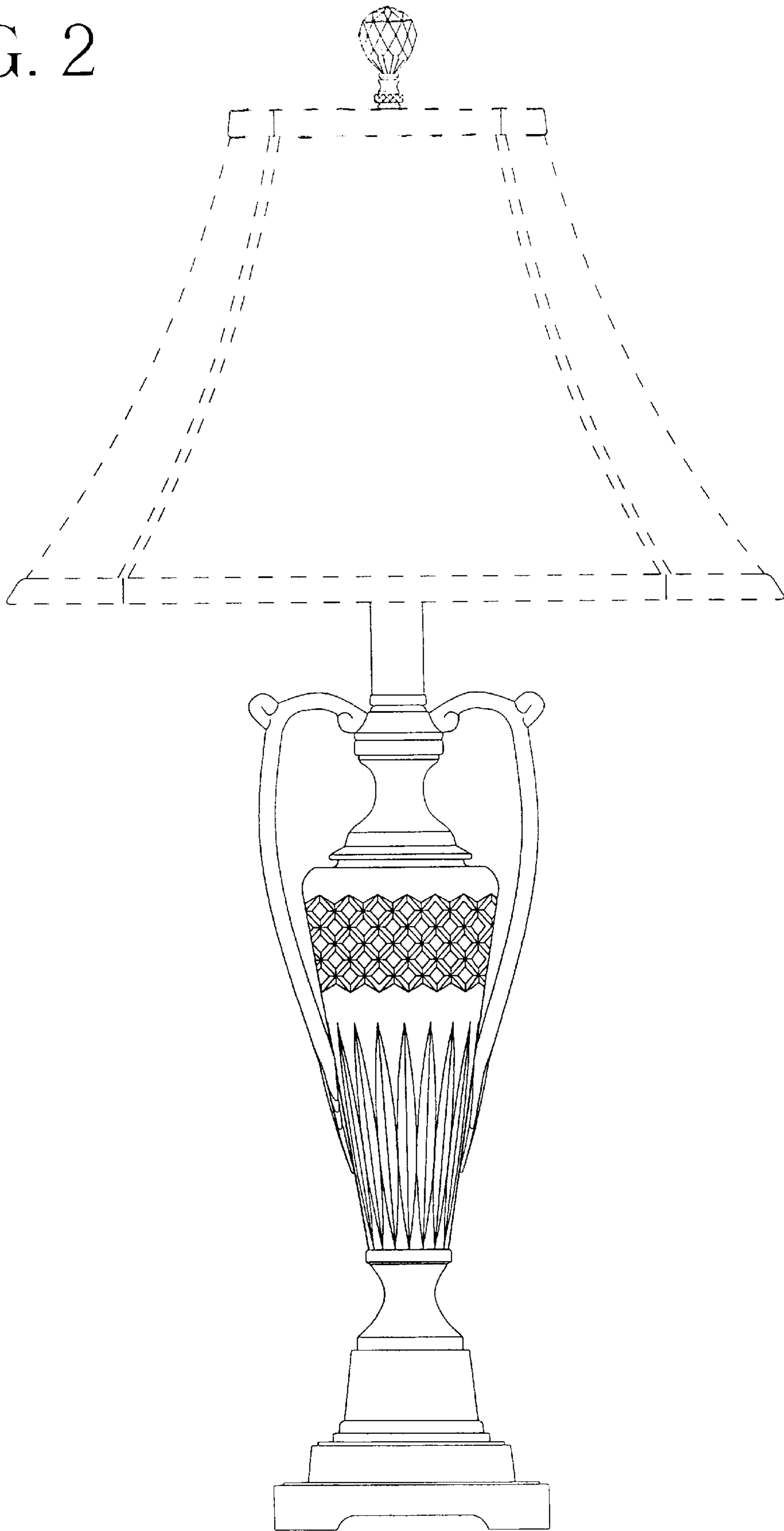


FIG. 3

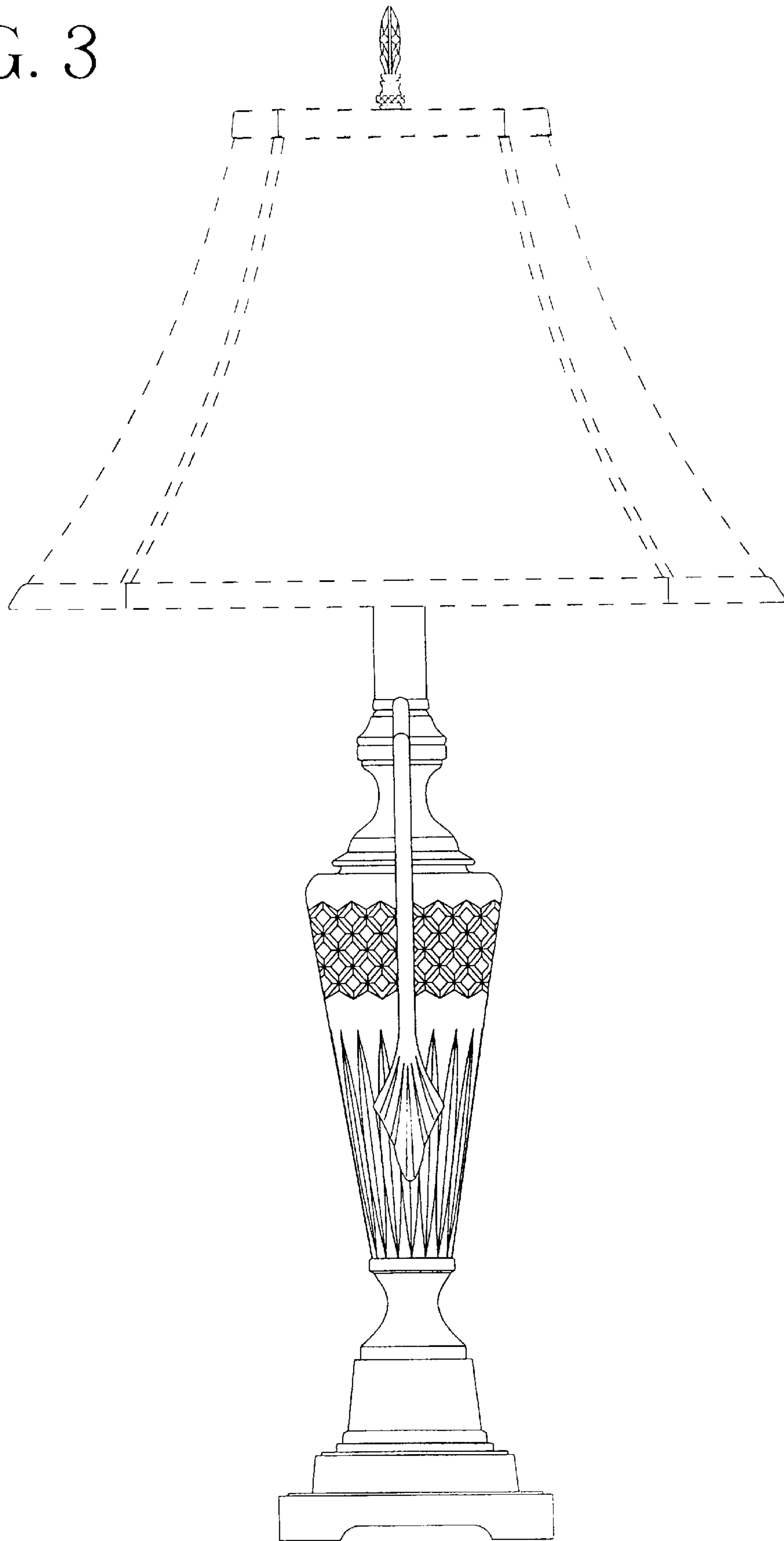


FIG. 4

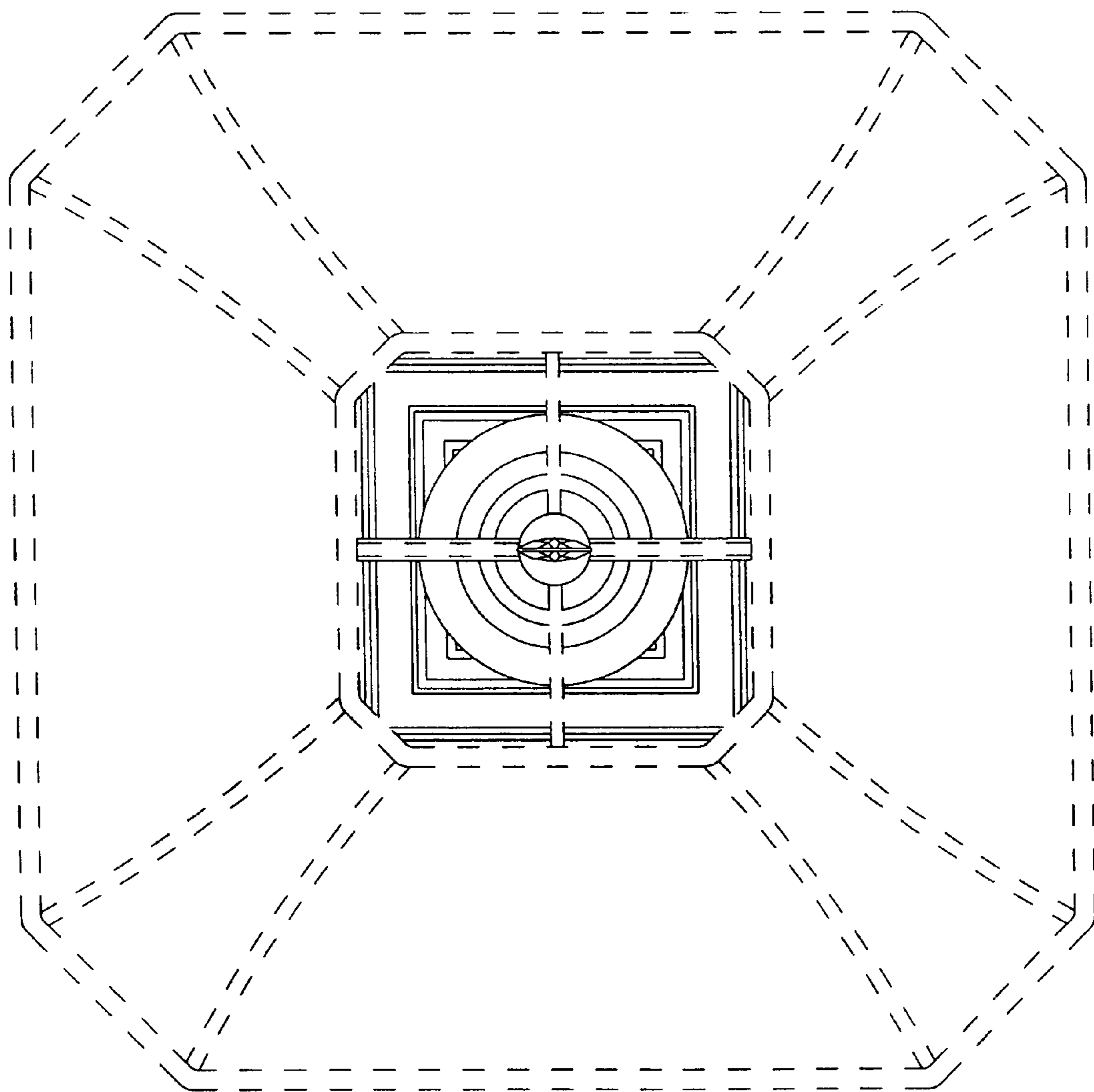


FIG. 5

