



US00D447593B1

(12) **United States Design Patent**
Lee

(10) **Patent No.:** **US D447,593 S**

(45) **Date of Patent:** **** Sep. 4, 2001**

(54) **LIGHT FITMENT HAVING BULB UNITS THAT ARE INDEPENDENTLY PIVOTABLE**

D. 417,027 * 11/1999 Cece D26/74
6,050,708 * 4/2000 Roorda 362/147 X

(75) Inventor: **Peter K. C. Lee**, Kowloon (HK)

* cited by examiner

(73) Assignee: **Hip Shing Fat Co., Ltd.**, Kowloon (HK)

Primary Examiner—Susan J. Lucas
(74) *Attorney, Agent, or Firm*—Wenderoth, Lind & Ponack, L.L.P.

(**) Term: **14 Years**

(21) Appl. No.: **29/124,418**

(22) Filed: **Jun. 6, 2000**

(30) **Foreign Application Priority Data**

Jan. 5, 2000 (GB) 2089232

(51) **LOC (7) Cl.** **26-05**

(52) **U.S. Cl.** **D26/87**

(58) **Field of Search** D26/80-92; 362/147, 362/404-408, 432

(56) **References Cited**

U.S. PATENT DOCUMENTS

D. 397,486 * 8/1998 Engle D26/87

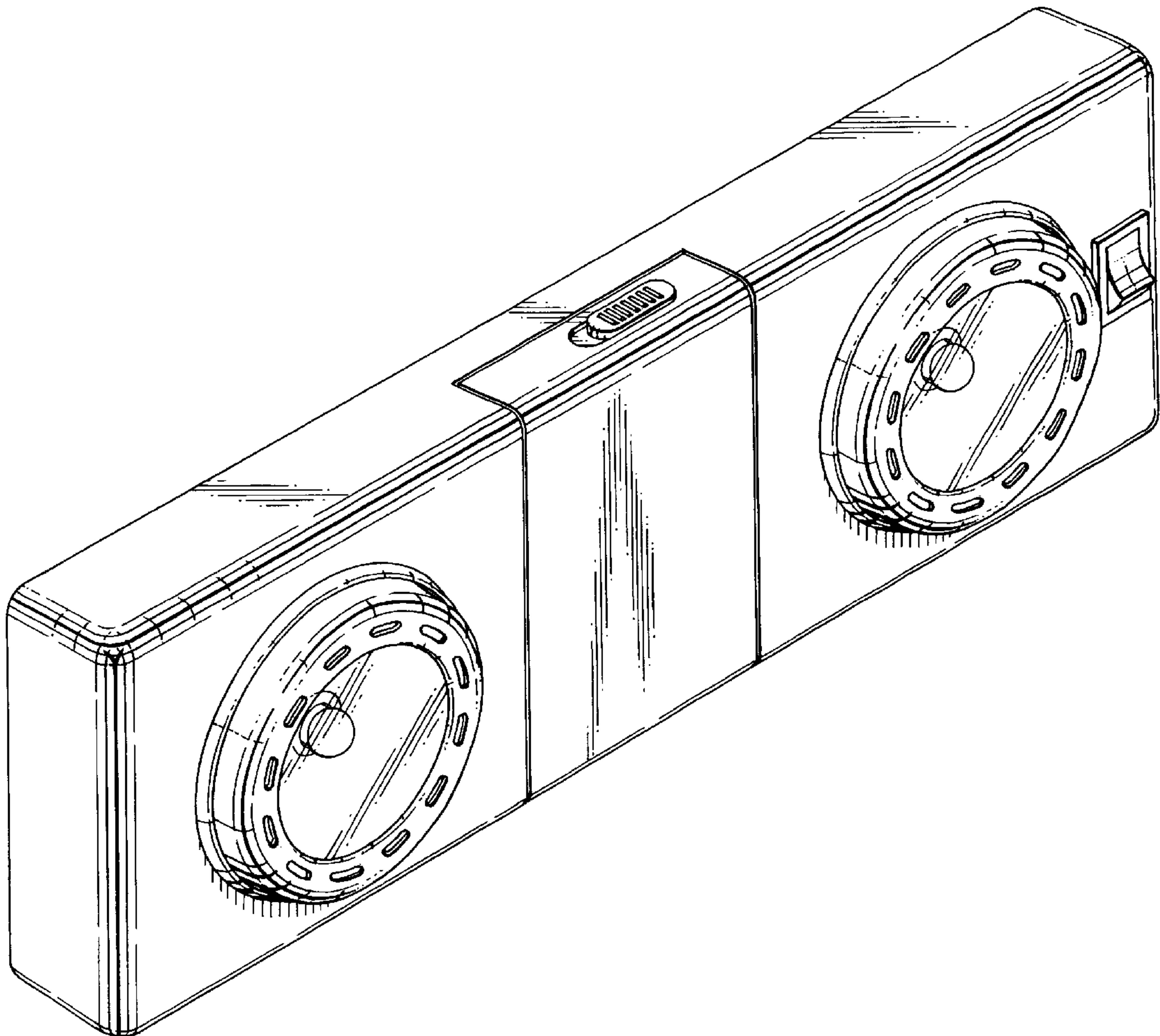
(57) **CLAIM**

The ornamental design for a light fitment having bulb units that are independently pivotable, as shown and described.

DESCRIPTION

FIG. 1 is a perspective view from the front and one side; FIG. 2 is an end elevation view; FIG. 3 is a side elevation view; FIG. 4 is an underneath plan view; and, FIG. 5 is a perspective view with the bulb units in an alternative position.

1 Claim, 4 Drawing Sheets



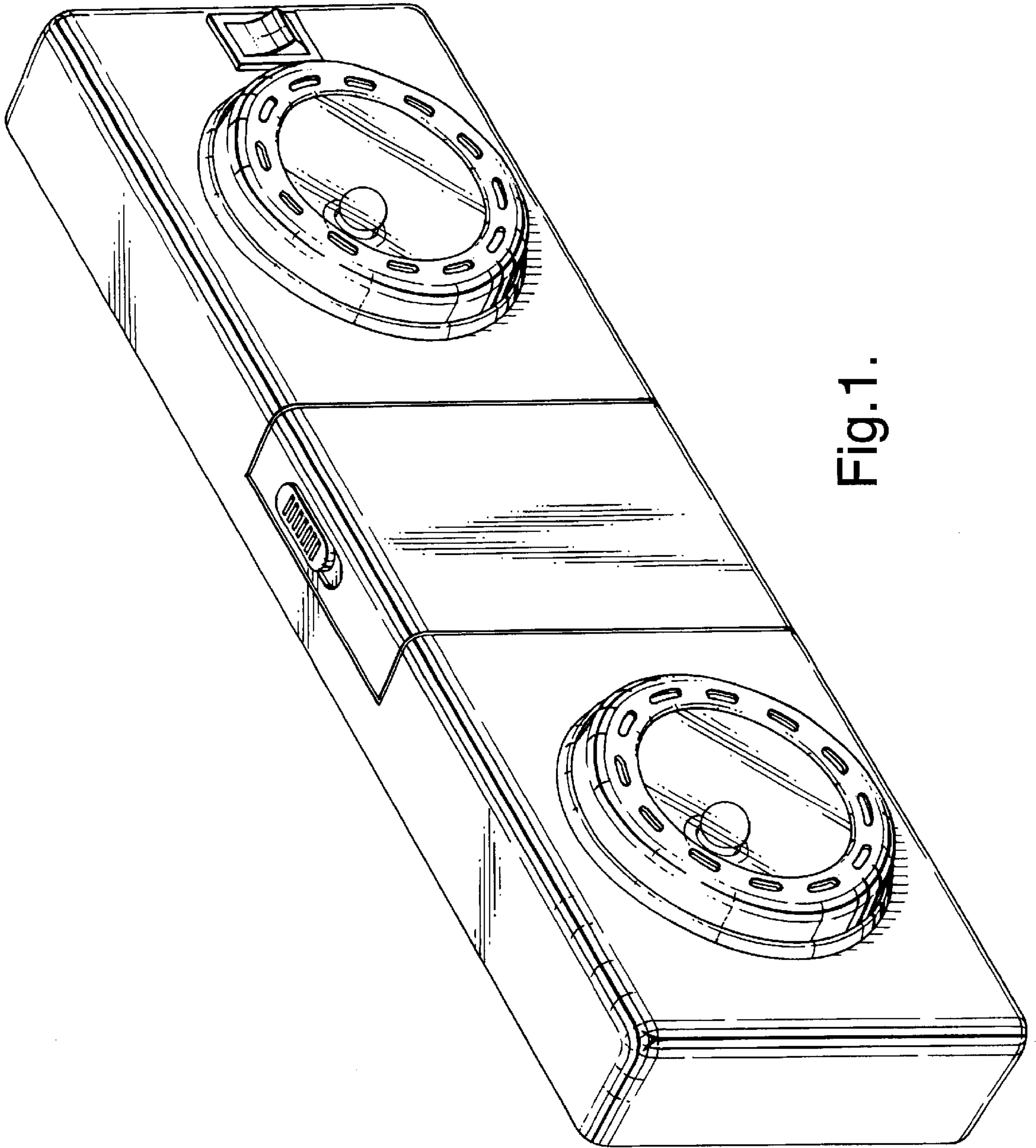


Fig. 1.

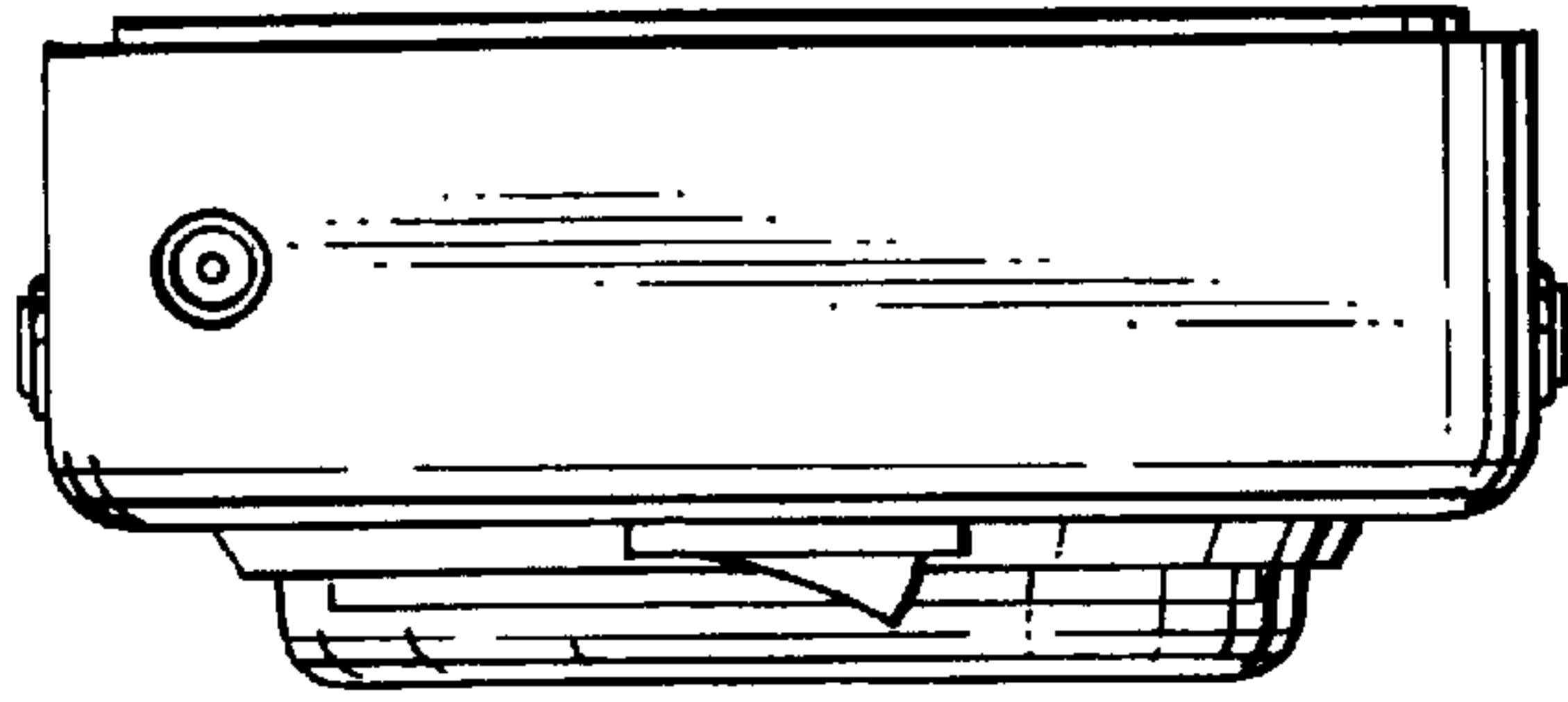


Fig. 2.

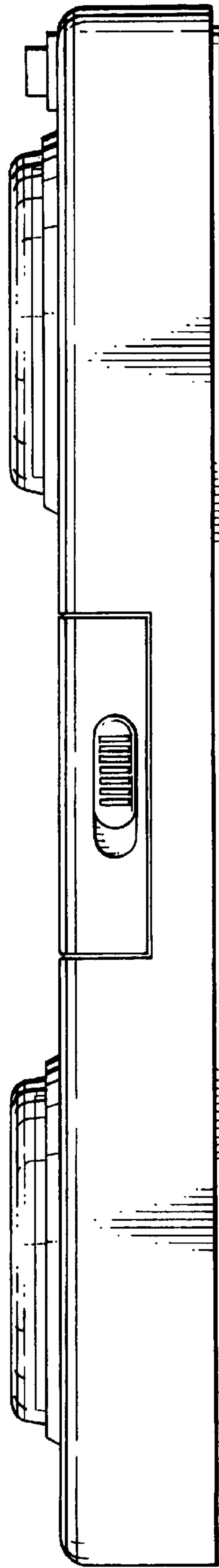


Fig. 3.

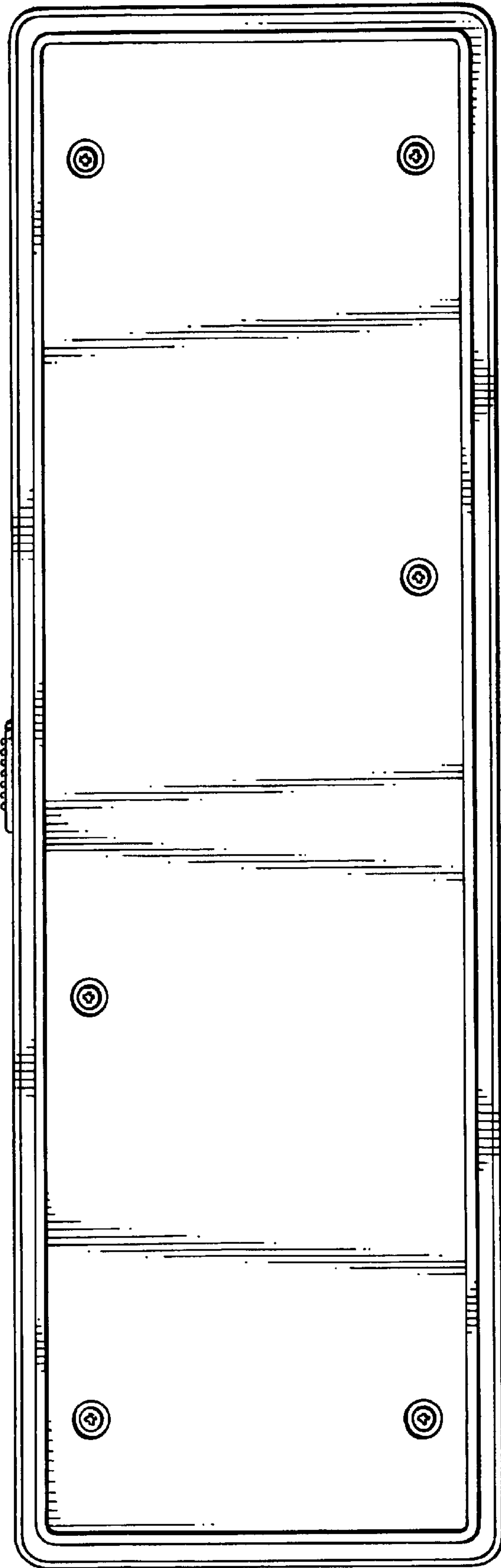


Fig.4.

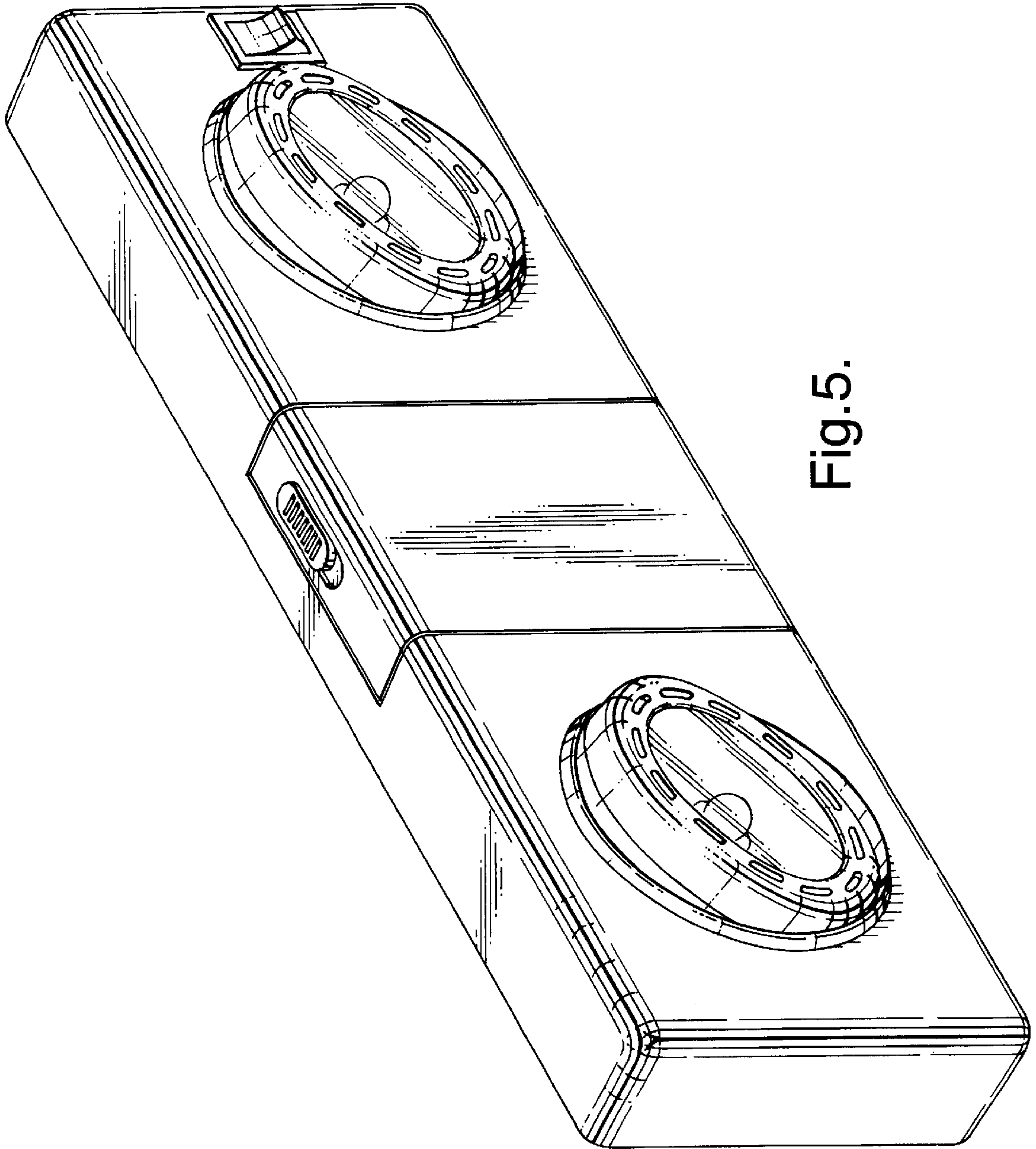


Fig. 5.