



US00D447588B1

(12) **United States Design Patent**
Zeller

(10) **Patent No.:** **US D447,588 S**

(45) **Date of Patent:** **** Sep. 4, 2001**

(54) **MULTIPURPOSE PORTABLE ELECTRIC LIGHTING**

(76) **Inventor:** **Noel E. Zeller**, c/o Zelco Industries, Inc. 65 Haven Ave., Mount Vernon, NY (US) 10553

(**) **Term:** **14 Years**

(21) **Appl. No.:** **29/108,273**

(22) **Filed:** **Jul. 23, 1999**

(51) **LOC (7) Cl.** **26-02**

(52) **U.S. Cl.** **D26/46**

(58) **Field of Search** D26/37-50; 362/157, 362/158, 171, 172, 173, 183-191, 193-208

(56) **References Cited**

U.S. PATENT DOCUMENTS

D. 284,106	*	6/1986	Drane	D26/50
D. 293,825	*	1/1988	Jennings	D26/50
D. 296,827		7/1988	Yuen	D26/44
D. 297,372		8/1988	Poon	D26/44
D. 310,574		9/1990	Trattner	D26/44
D. 337,840		7/1993	Ekeroth	D26/44
D. 344,358		2/1994	Yuen	D26/38
D. 373,436		9/1996	Li et al.	D26/44
D. 375,375		11/1996	Poon	D26/44
D. 404,158	*	1/1999	Yuen	D26/50
D. 409,778		5/1999	Chu	D26/44
D. 413,993		9/1999	Yuen	D26/44

* cited by examiner

Primary Examiner—Marcus A. Jackson

(74) *Attorney, Agent, or Firm*—Cooper & Dunham LLP; Donald S. Dowden

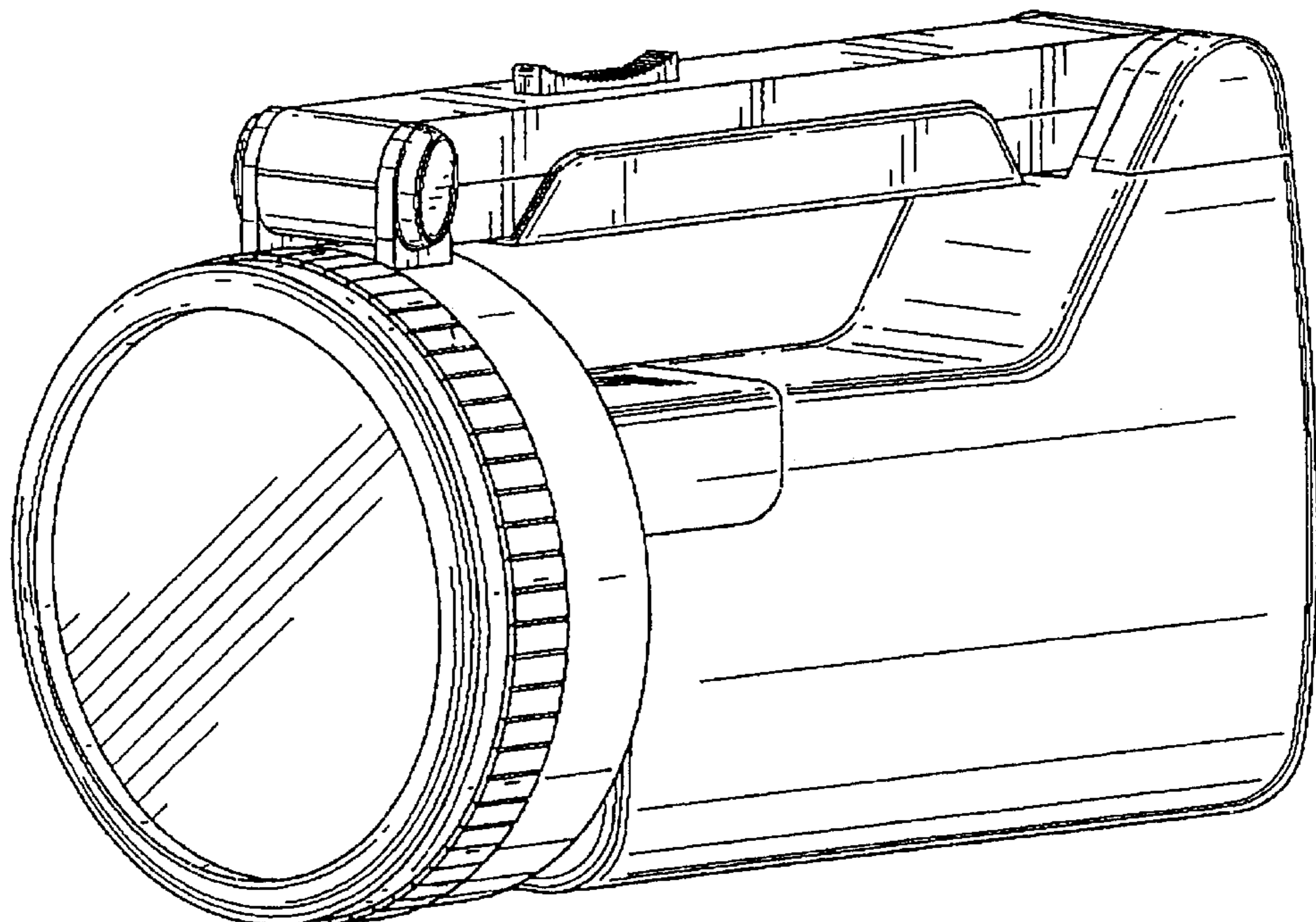
(57) **CLAIM**

The ornamental design for a multipurpose portable electric lighting, as shown and described.

DESCRIPTION

FIG. 1 is a top-front-right perspective view of multipurpose portable electric lighting embodying the invention;
 FIG. 2 is a top view thereof;
 FIG. 3 is a bottom view thereof;
 FIG. 4 is a front view thereof;
 FIG. 5 is a rear view thereof;
 FIG. 6 is a right view thereof;
 FIG. 7 is a top-rear-right perspective view thereof in a second configuration;
 FIG. 8 is a top view thereof;
 FIG. 9 is a bottom view thereof;
 FIG. 10 is a front view thereof;
 FIG. 11 is a rear view thereof;
 FIG. 12 is a right view thereof; and,
 FIG. 13 is a top-rear-right view thereof in a third configuration.
 FIG. 14 is a bottom-front-left perspective view of a portion thereof;
 FIG. 15 is a bottom view thereof;
 FIG. 16 is a top view thereof;
 FIG. 17 is a front view thereof;
 FIG. 18 is a rear view thereof;
 FIG. 19 is a left view thereof; and,
 FIG. 20 is a bottom-left-front perspective view thereof in a second configuration.

1 Claim, 17 Drawing Sheets



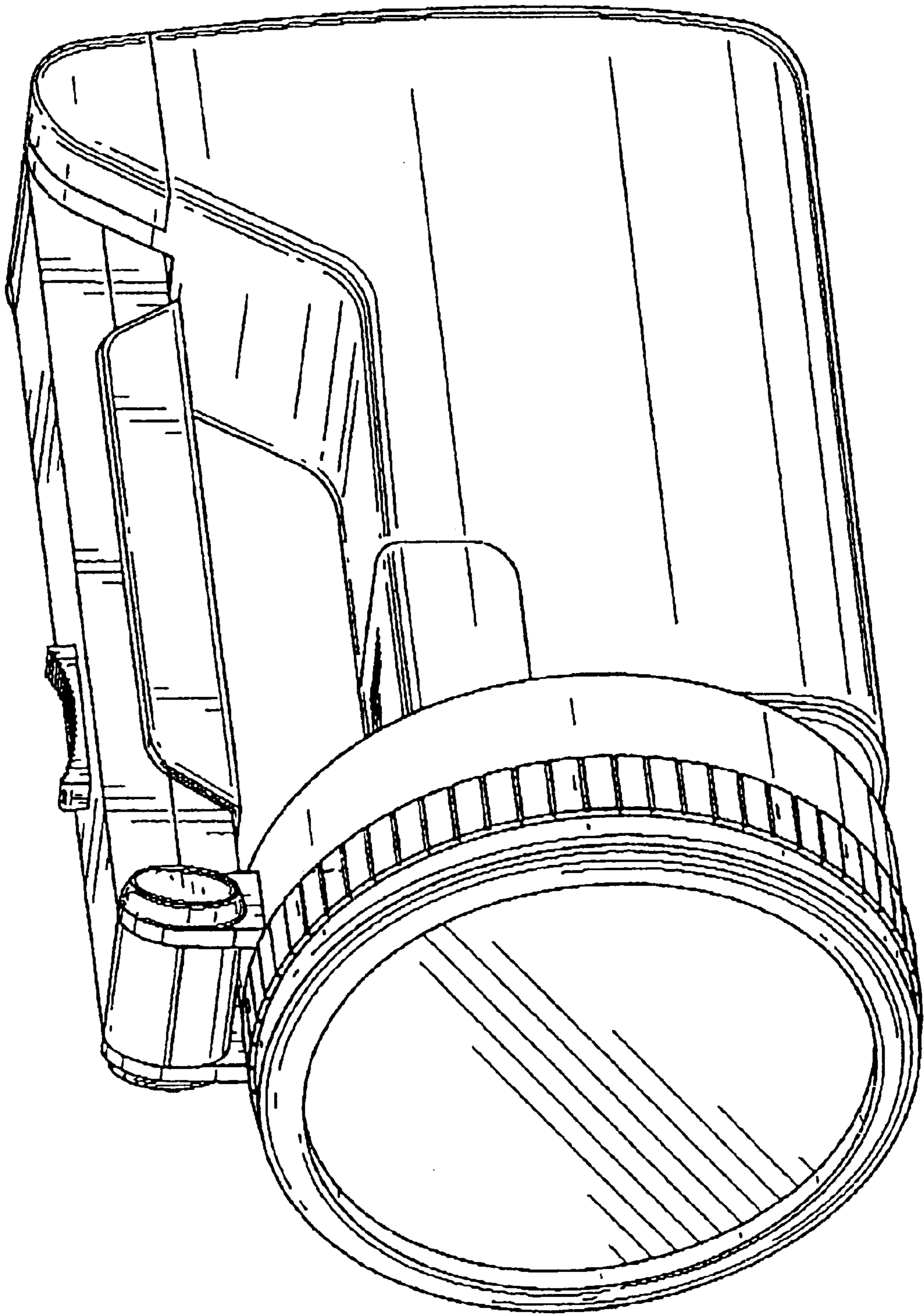


FIG. 1

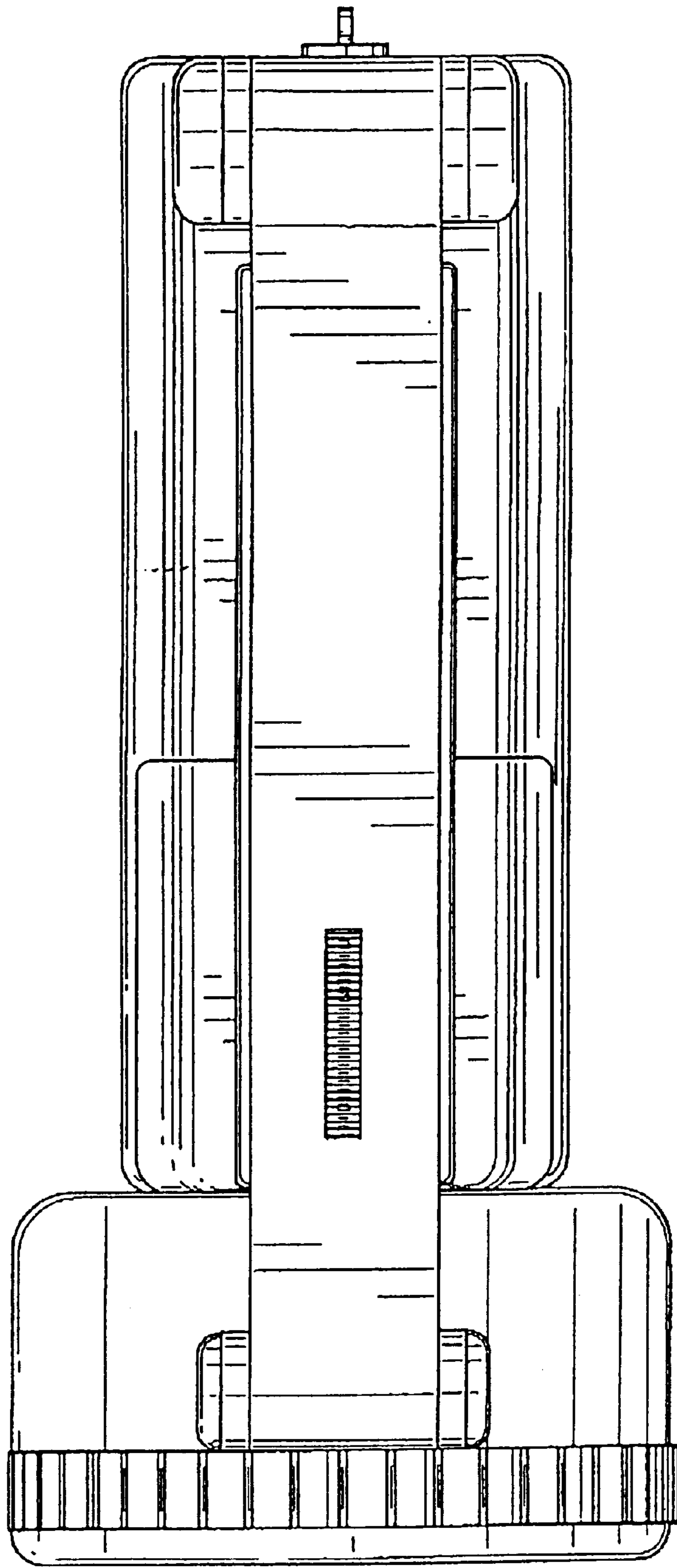


FIG. 2

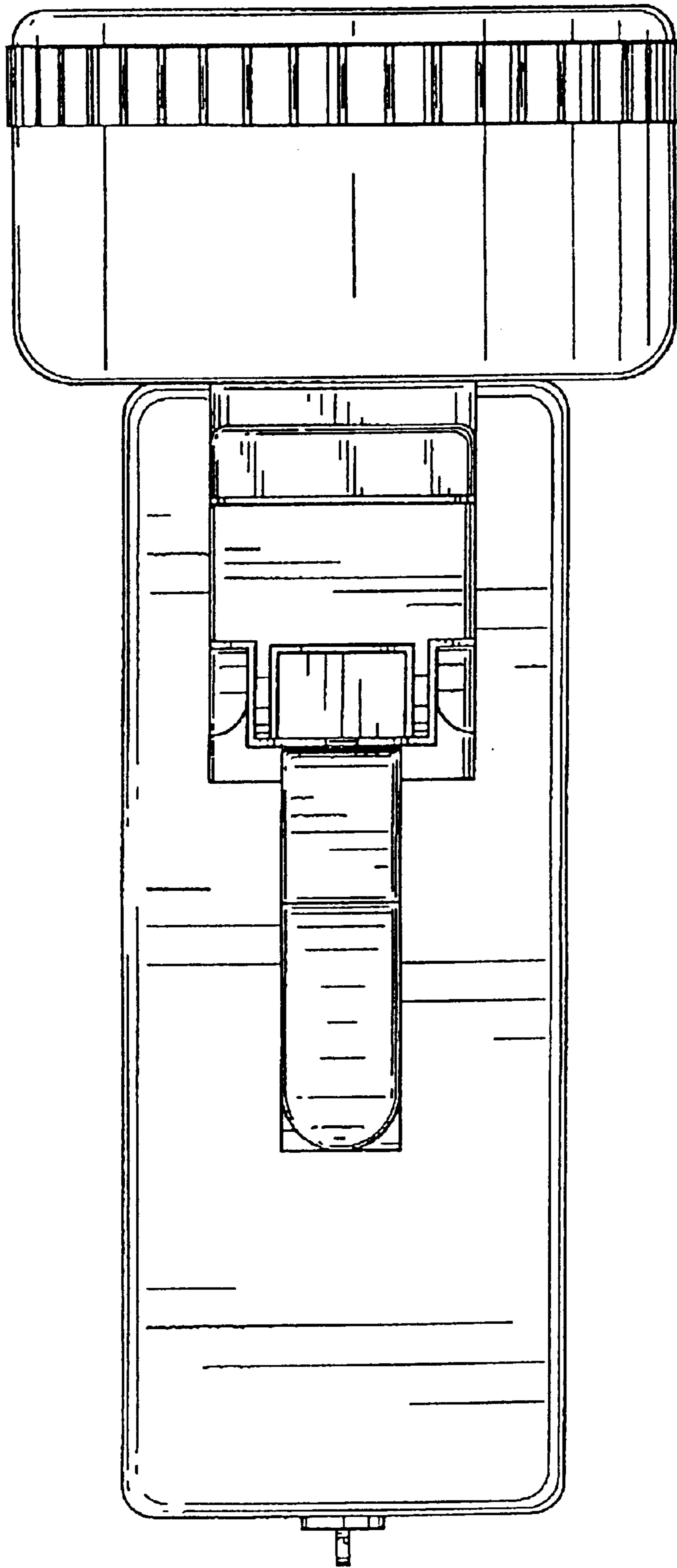


FIG. 3

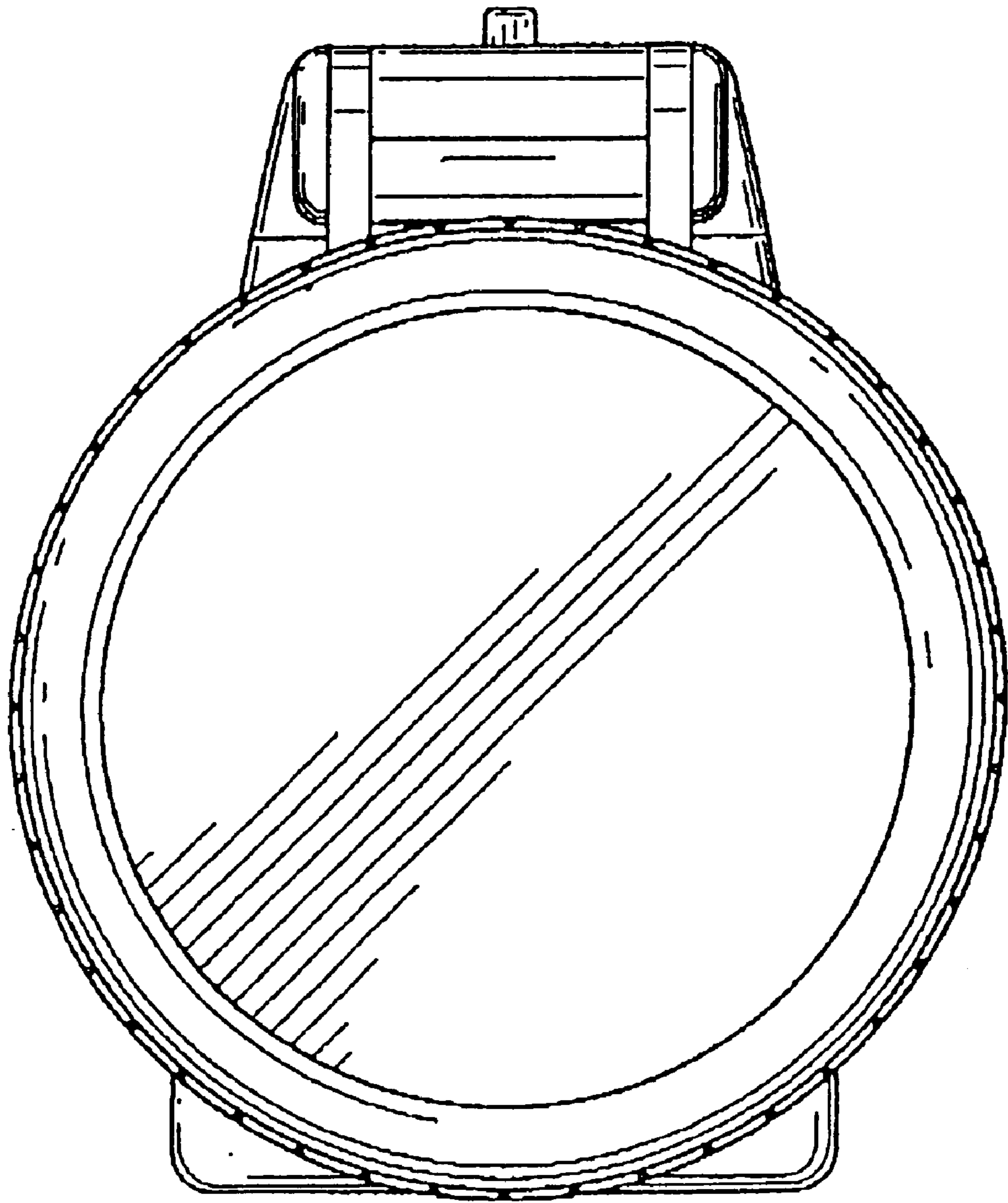


FIG. 4

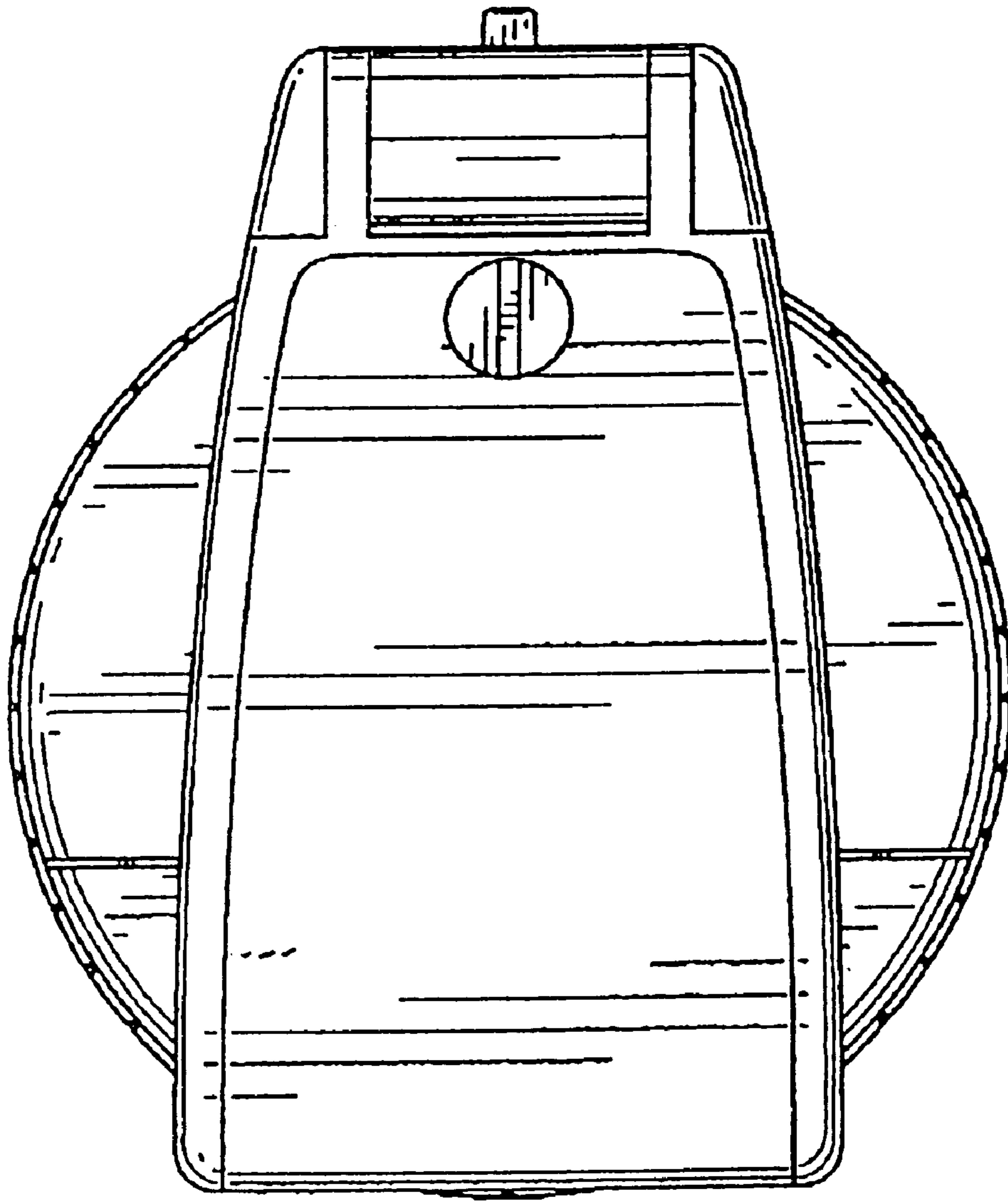


FIG. 5

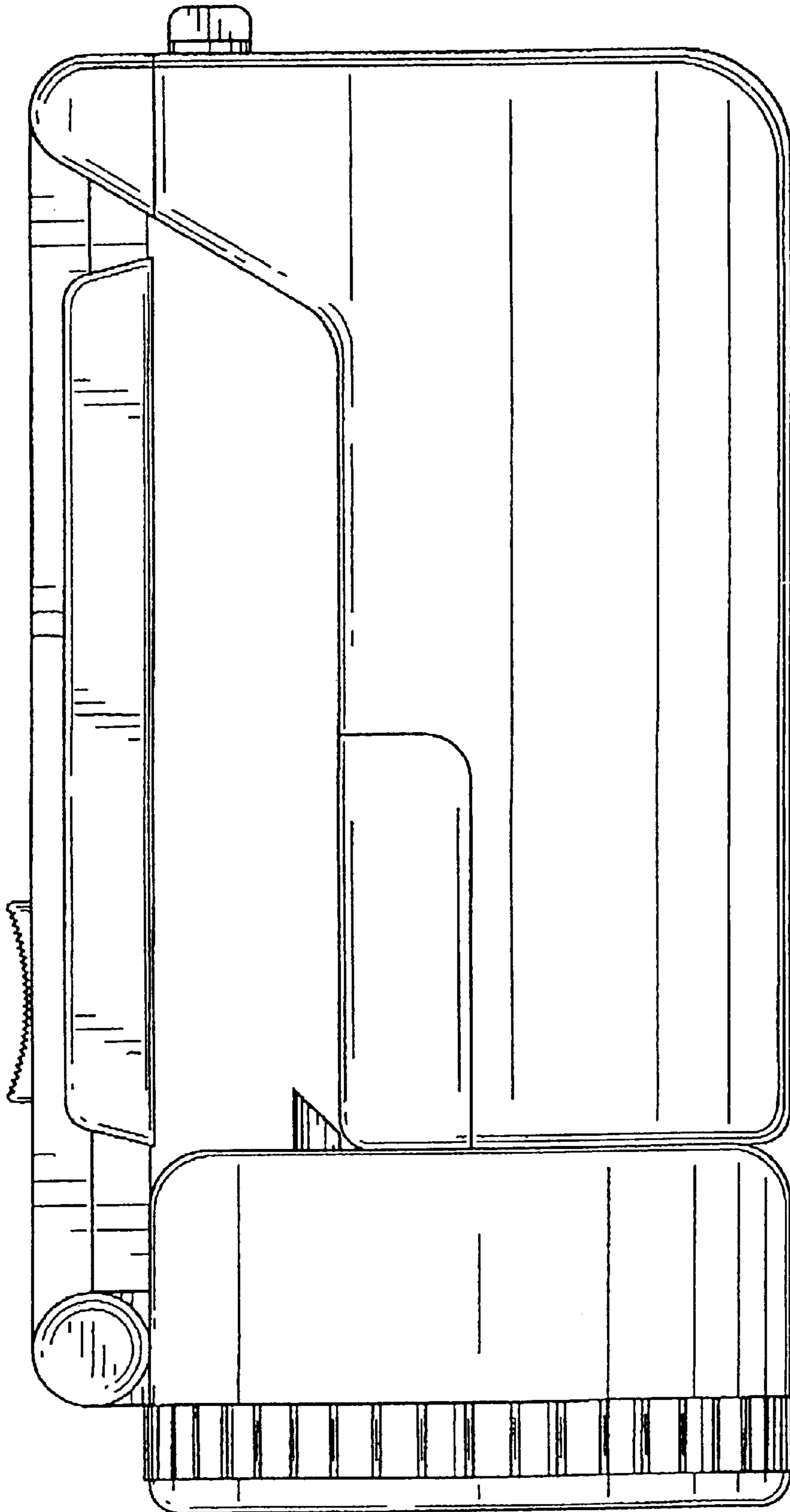


FIG. 6

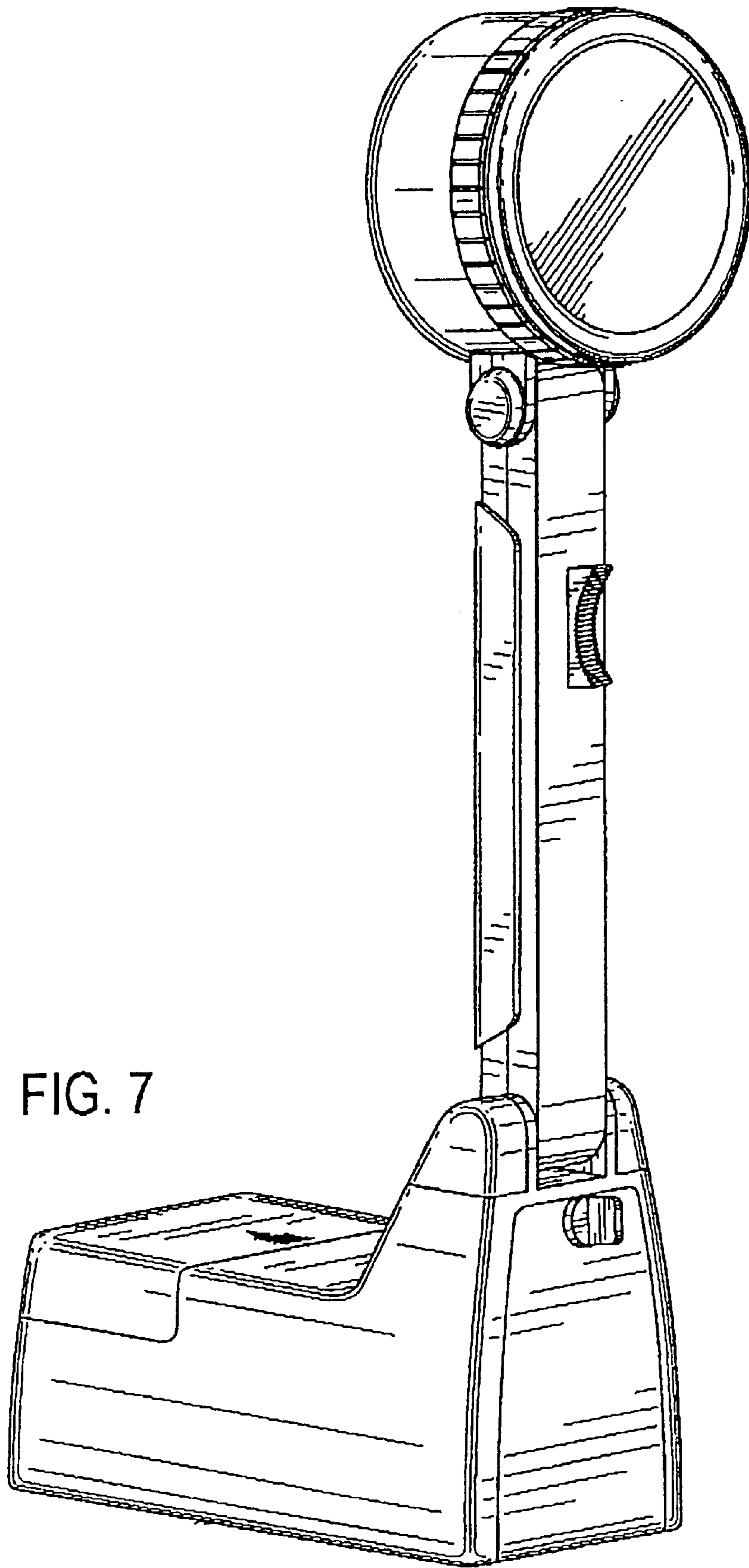


FIG. 7

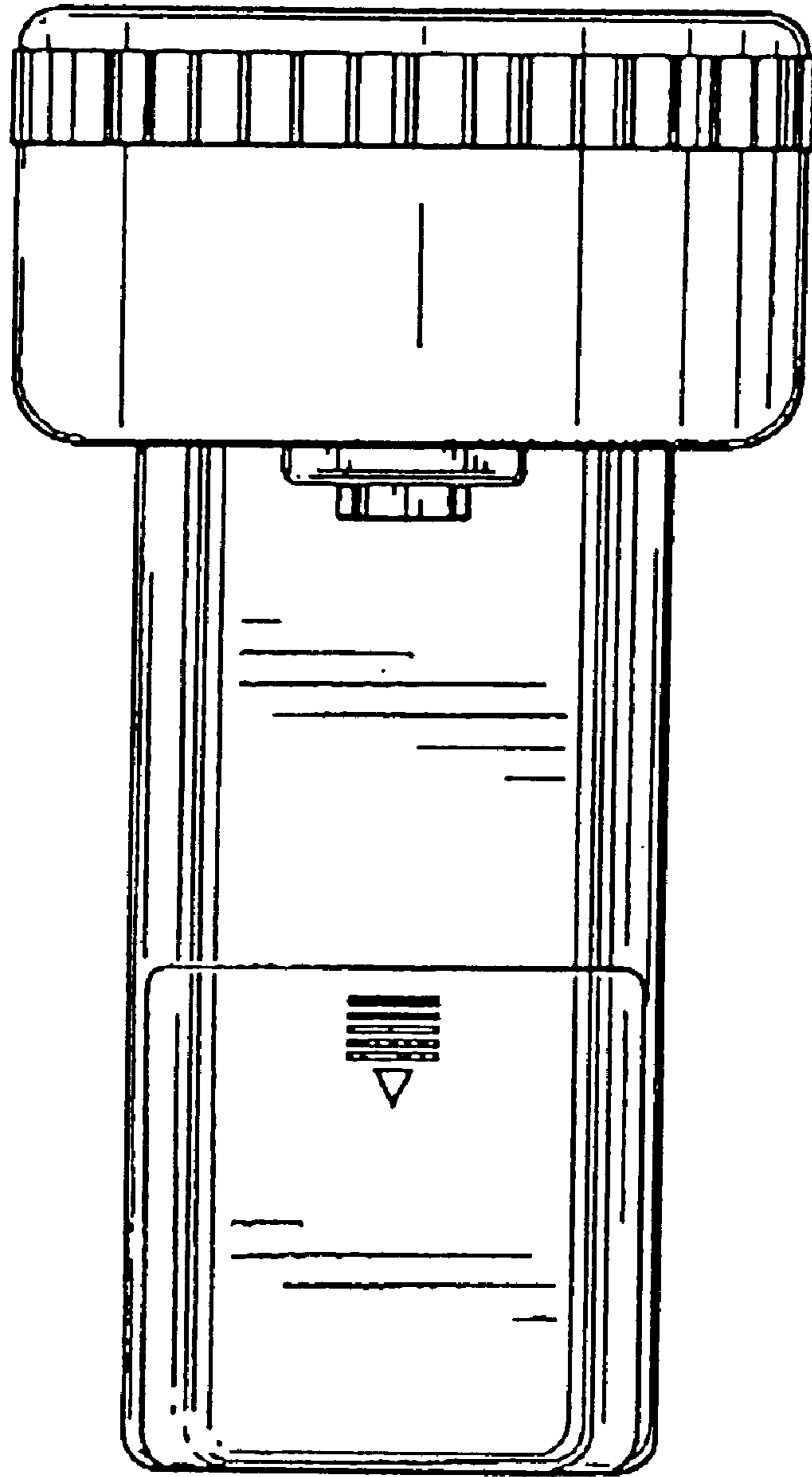


FIG. 8

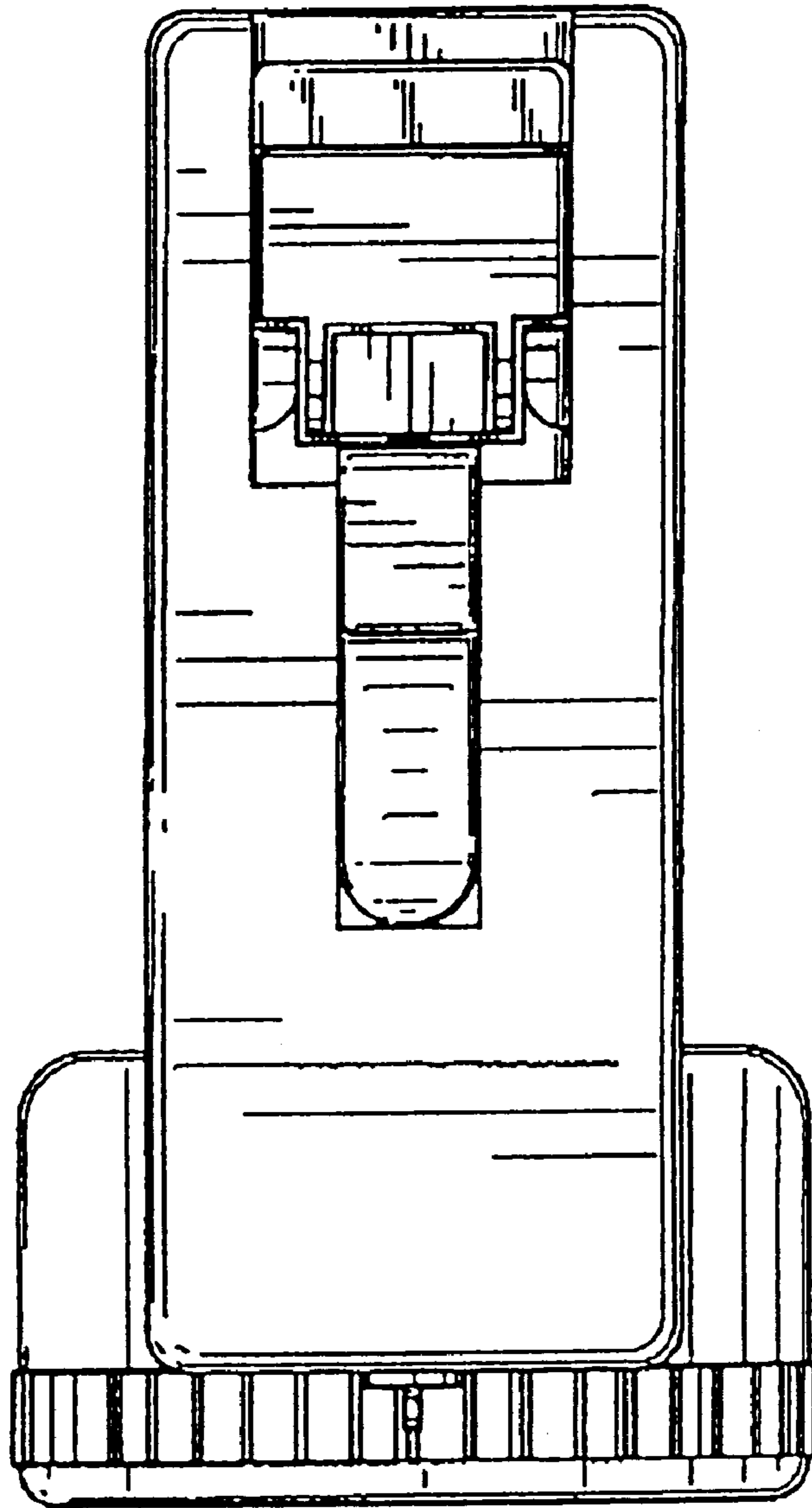


FIG. 9

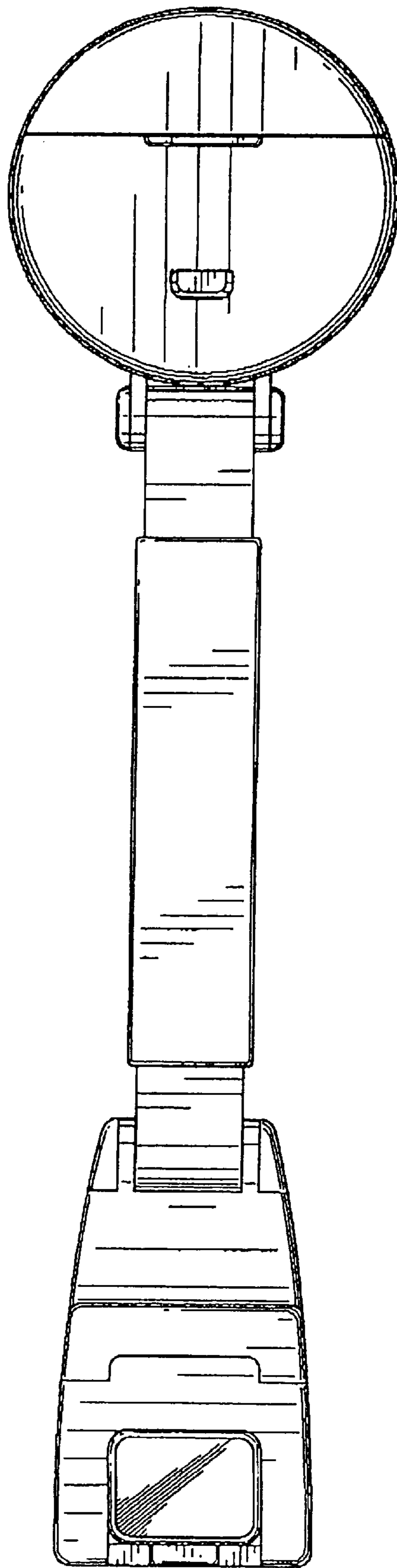


FIG. 10

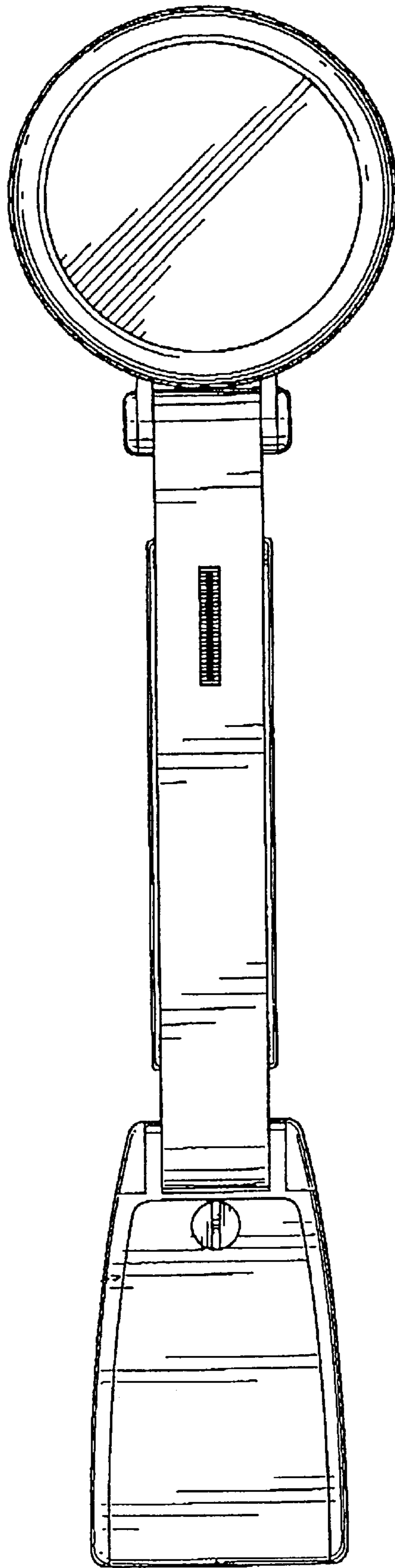


FIG. 11

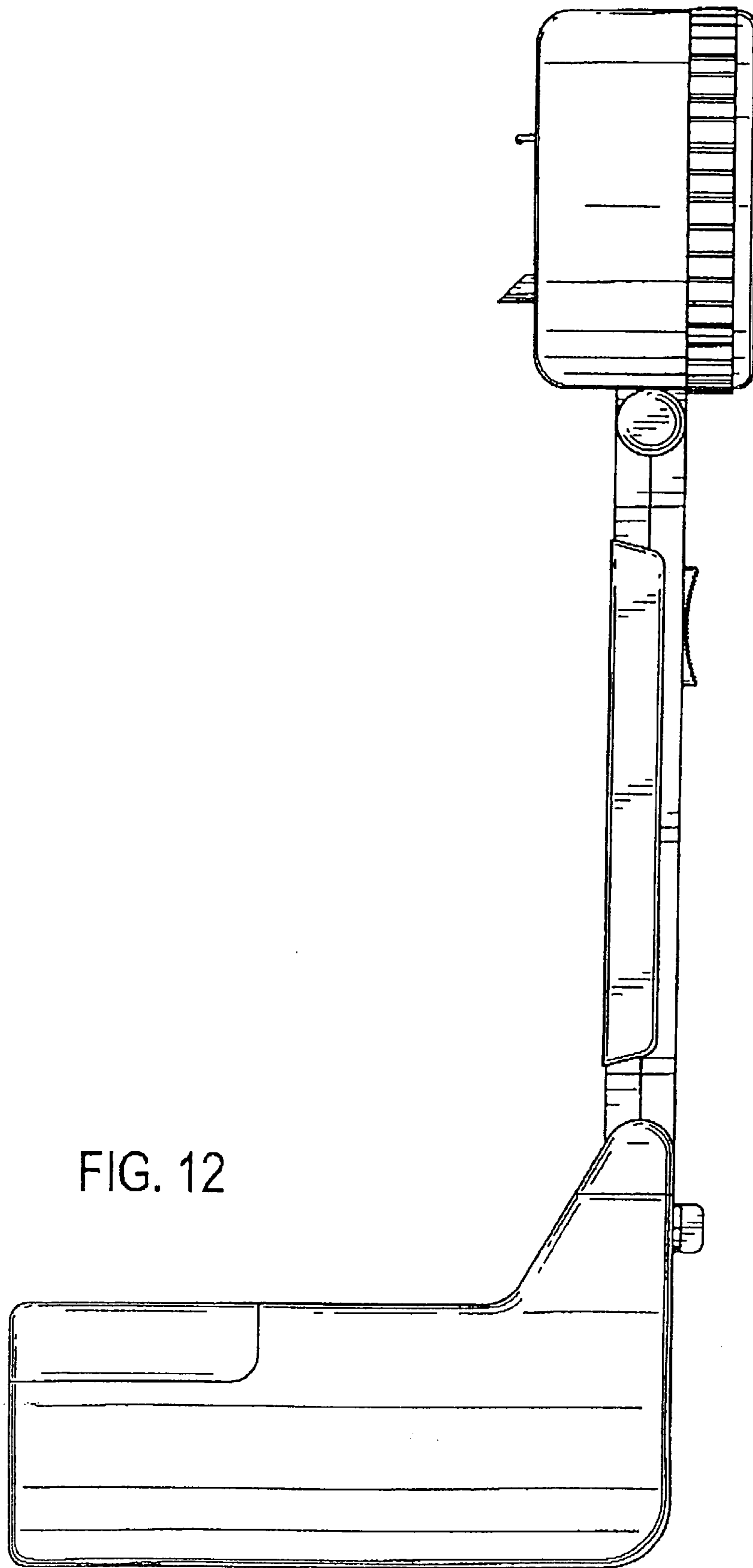


FIG. 12

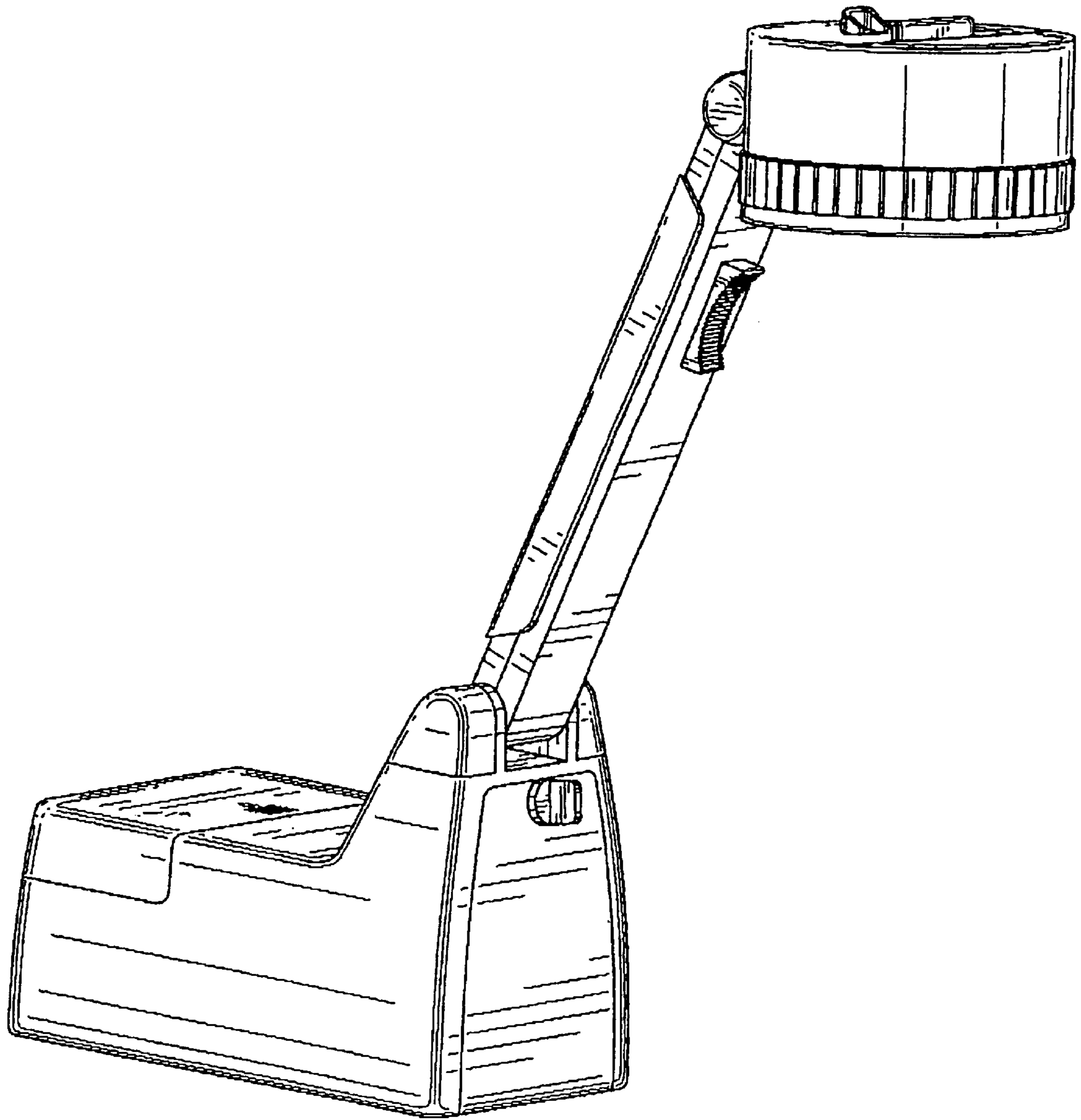


FIG. 13

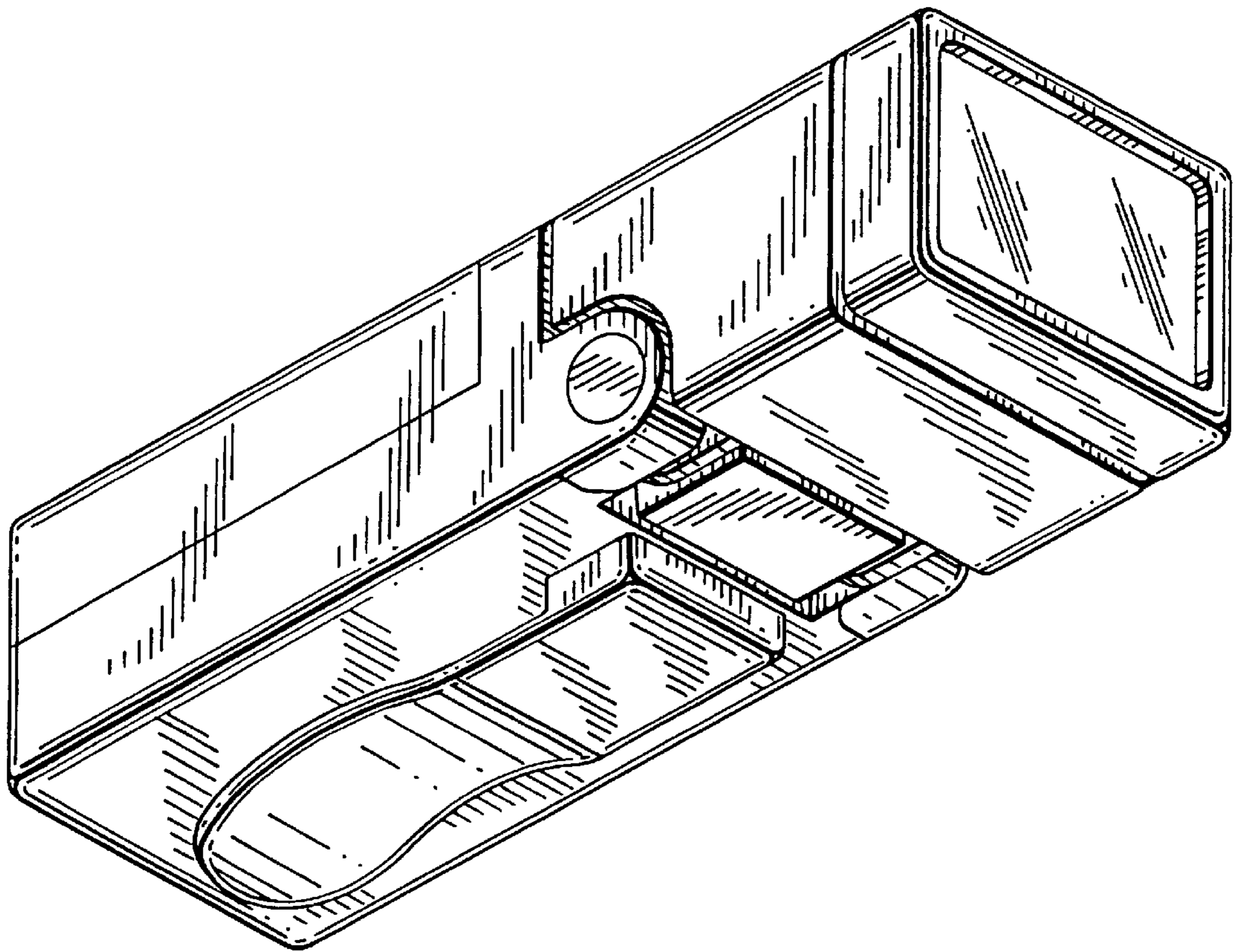


FIG. 14

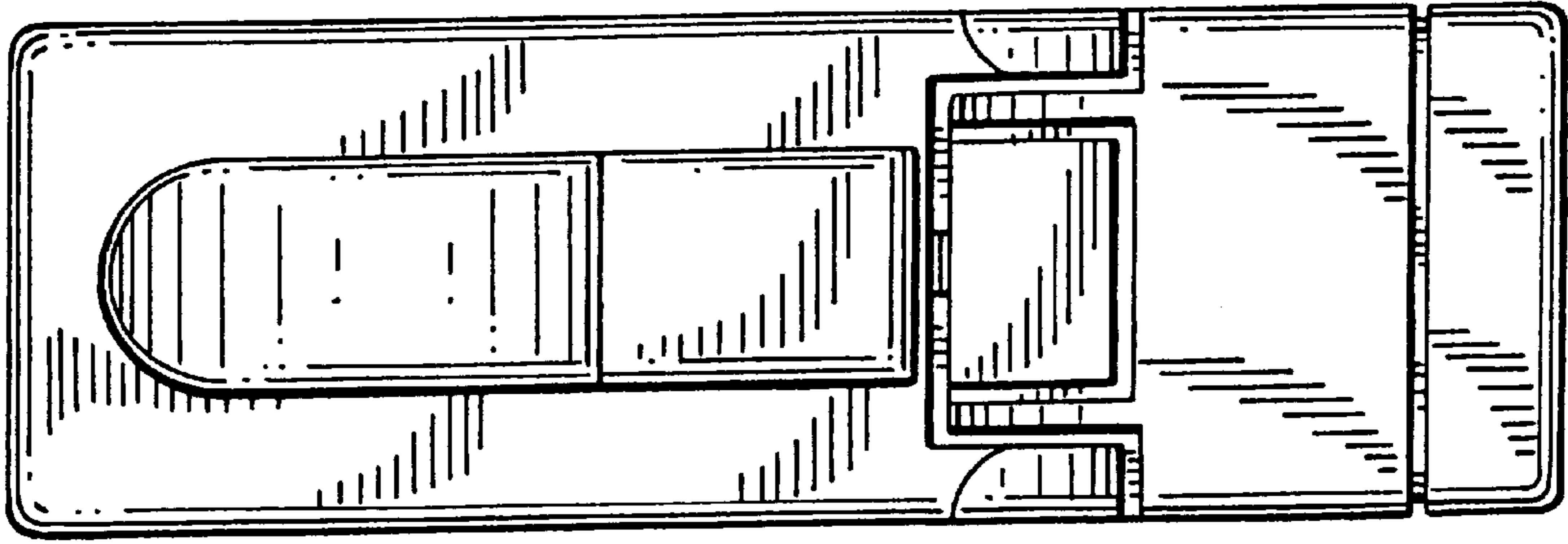


FIG. 15

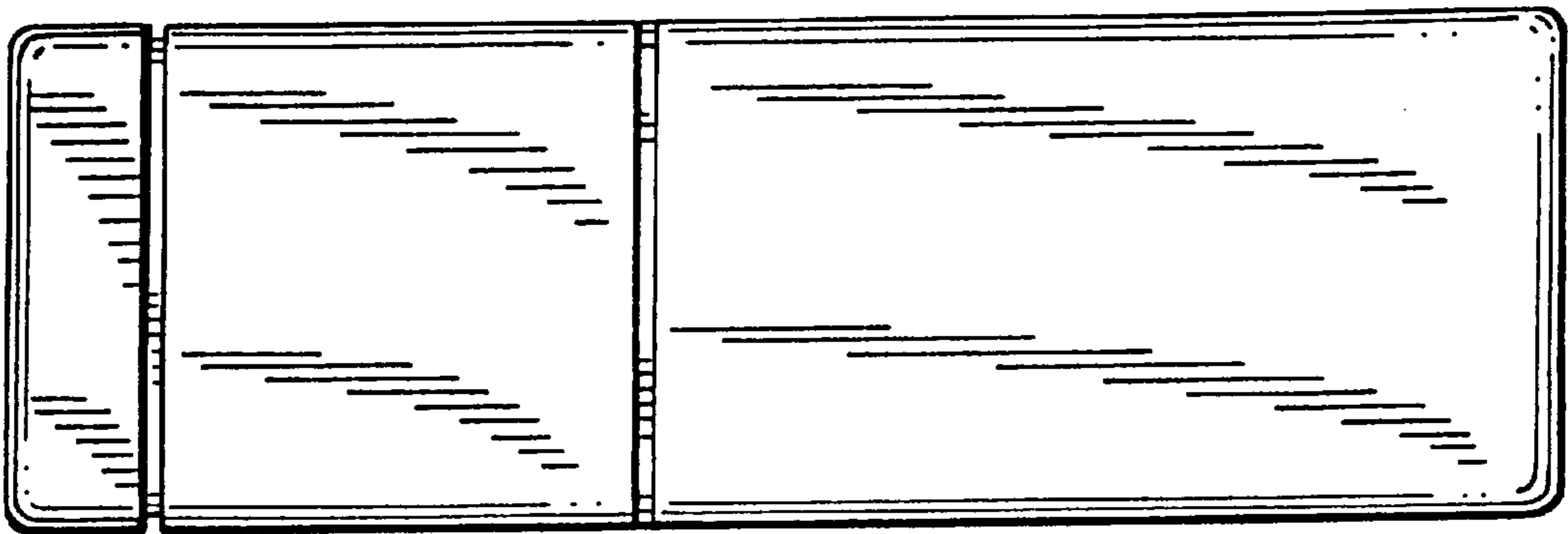


FIG. 16

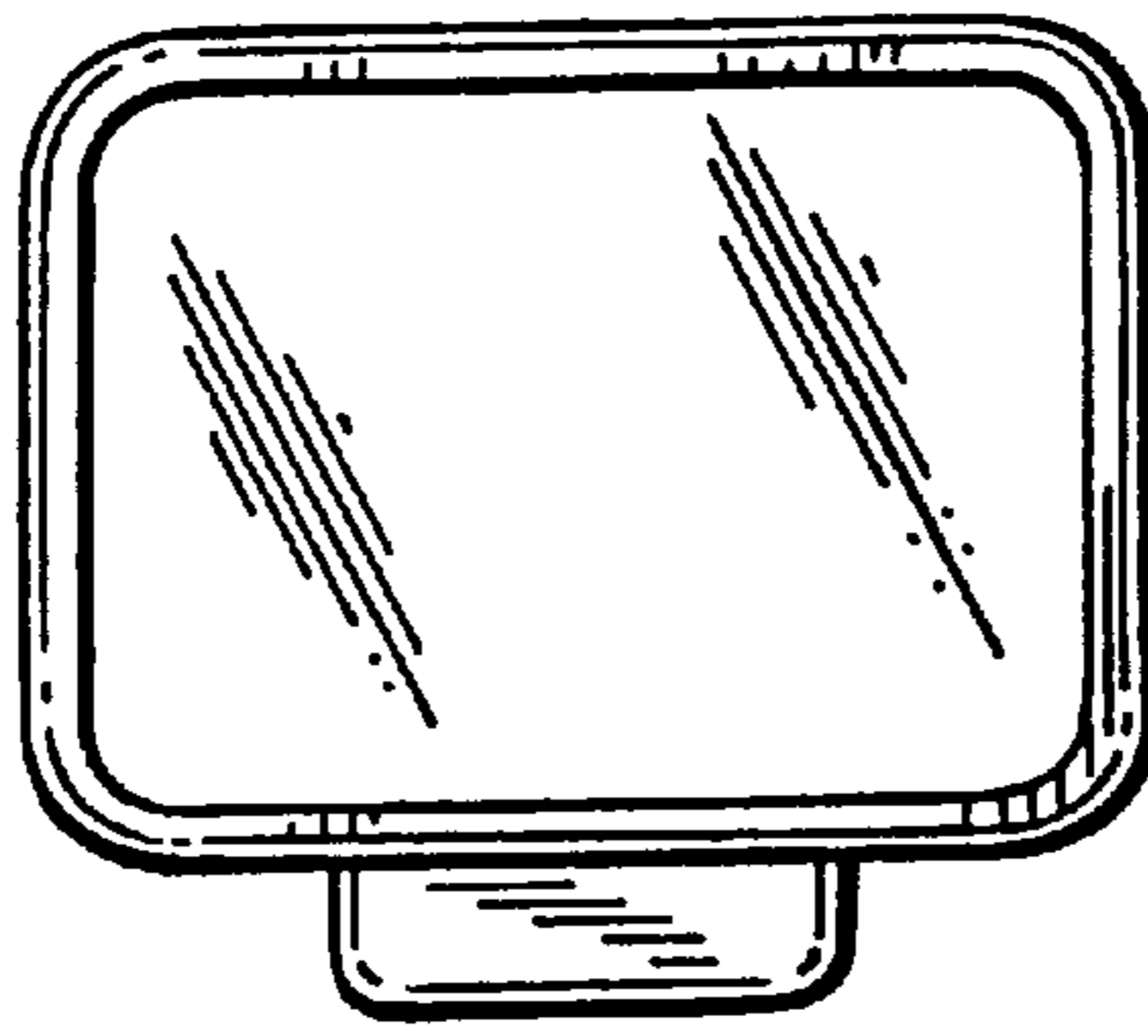


FIG. 18

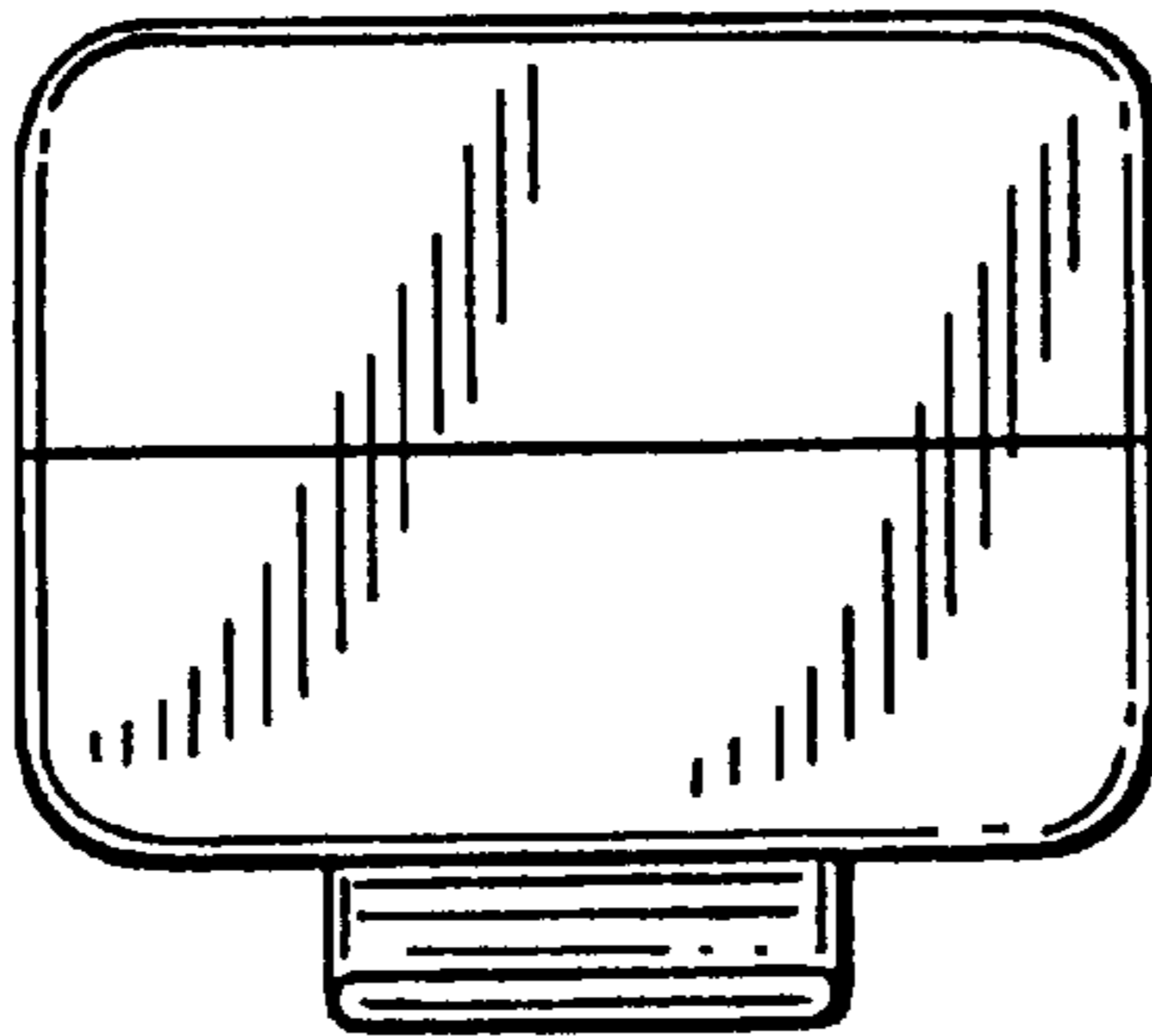


FIG. 17

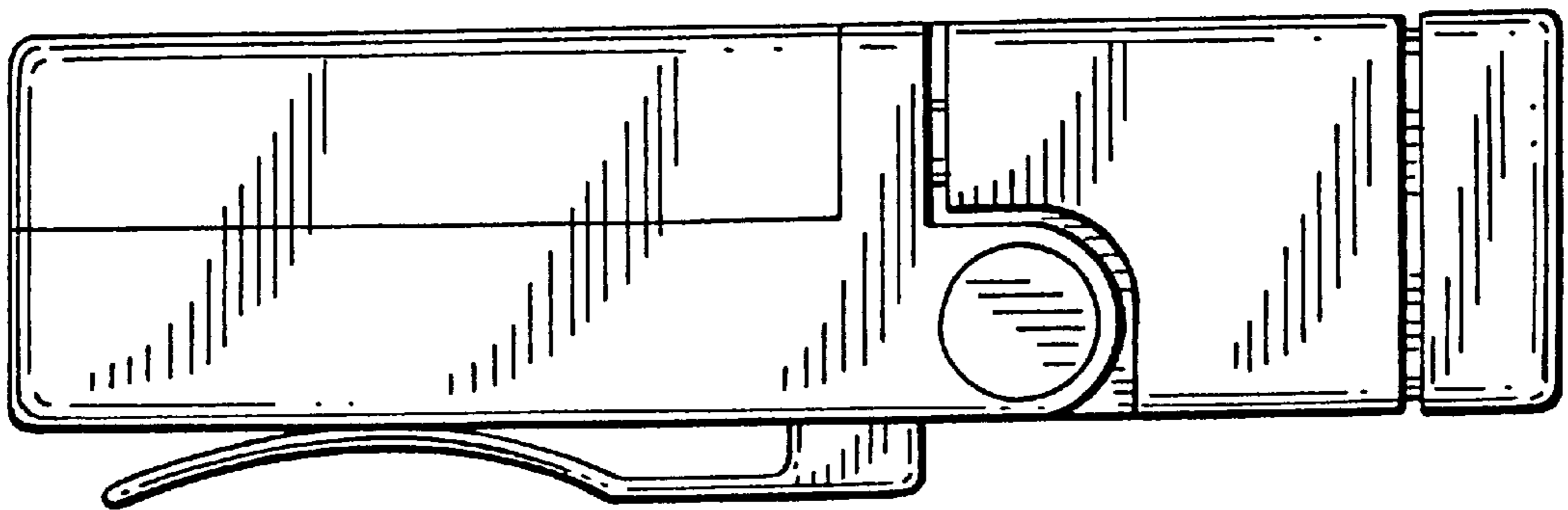


FIG. 19

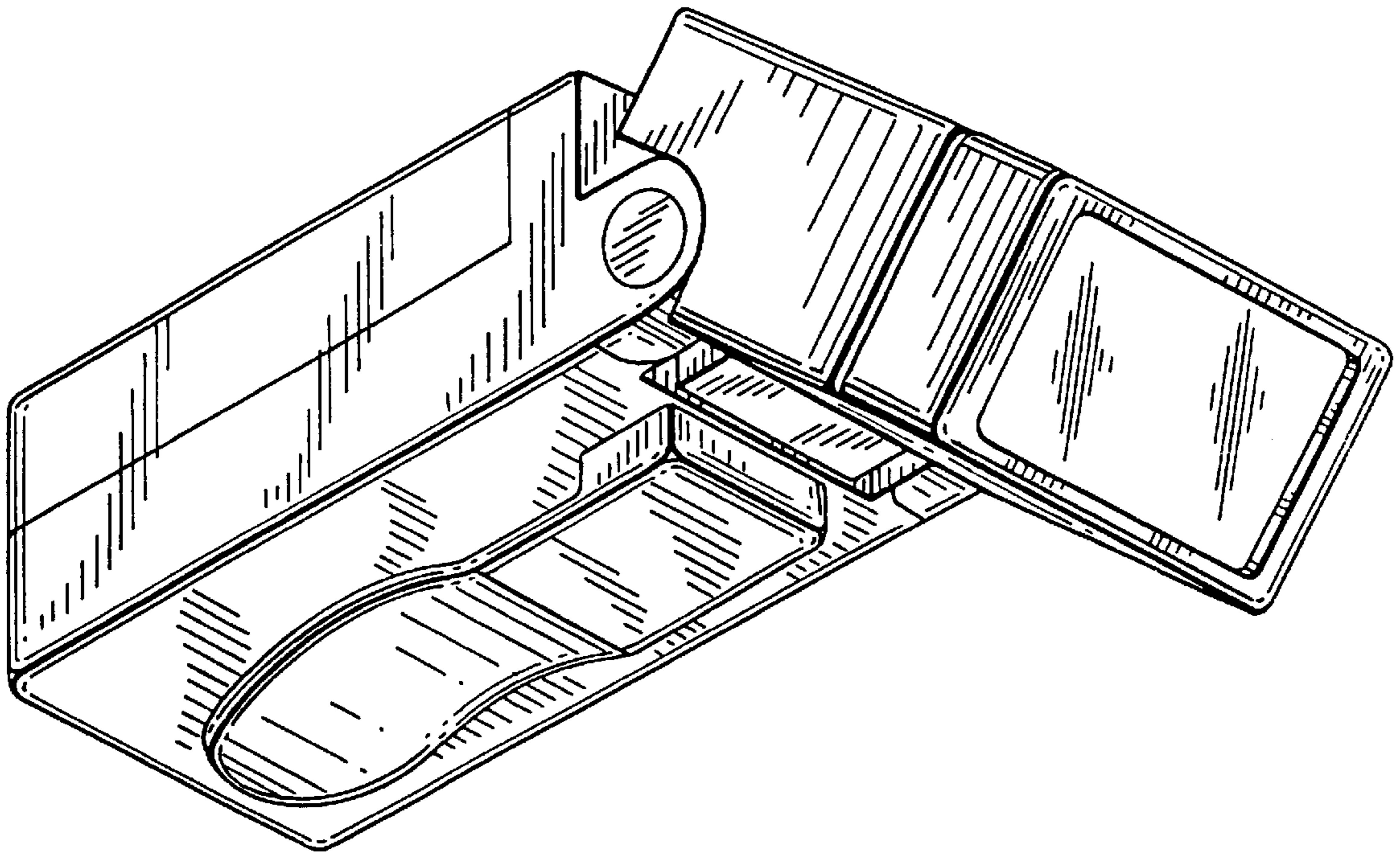


FIG. 20