



US00D447587B1

(12) **United States Design Patent**
Poon

(10) **Patent No.:** **US D447,587 S**

(45) **Date of Patent:** **** Sep. 4, 2001**

(54) **HEAD LIGHT WITH CLIP**

D. 405,202 * 2/1999 Fattori et al. D26/39

* cited by examiner

(75) Inventor: **Tit Wing Poon**, Shatin (CN)

Primary Examiner—Marcus A. Jackson

(74) *Attorney, Agent, or Firm*—Alix, Yale & Ristas, LLP

(73) Assignee: **Flying Dragon Development Ltd.**,
Hong Kong (CN)

(57) **CLAIM**

The ornamental design for a head light with clip, as shown and described.

(**) Term: **14 Years**

DESCRIPTION

(21) Appl. No.: **29/133,714**

FIG. 1 is a front perspective view of the head light with clip showing my new design;

(22) Filed: **Dec. 5, 2000**

FIG. 2 is a front view of the head light with clip of FIG. 1;

(30) **Foreign Application Priority Data**

Jul. 27, 2000 (CN) 0010973

FIG. 3 is a rear view of the head light with clip of FIG. 1;

(51) **LOC (7) Cl.** **26-02**

FIG. 4 is a left side view of the head light with clip of FIG. 1;

(52) **U.S. Cl.** **D26/39**

FIG. 5 is a right side view of the head light with clip of FIG. 1;

(58) **Field of Search** D26/37-50; 362/103,
362/105, 157, 158, 171, 172, 173, 183-208

FIG. 6 is a top plan view of the head light with clip of FIG. 1;

FIG. 7 is a bottom plan view of the head light with clip of FIG. 1; and,

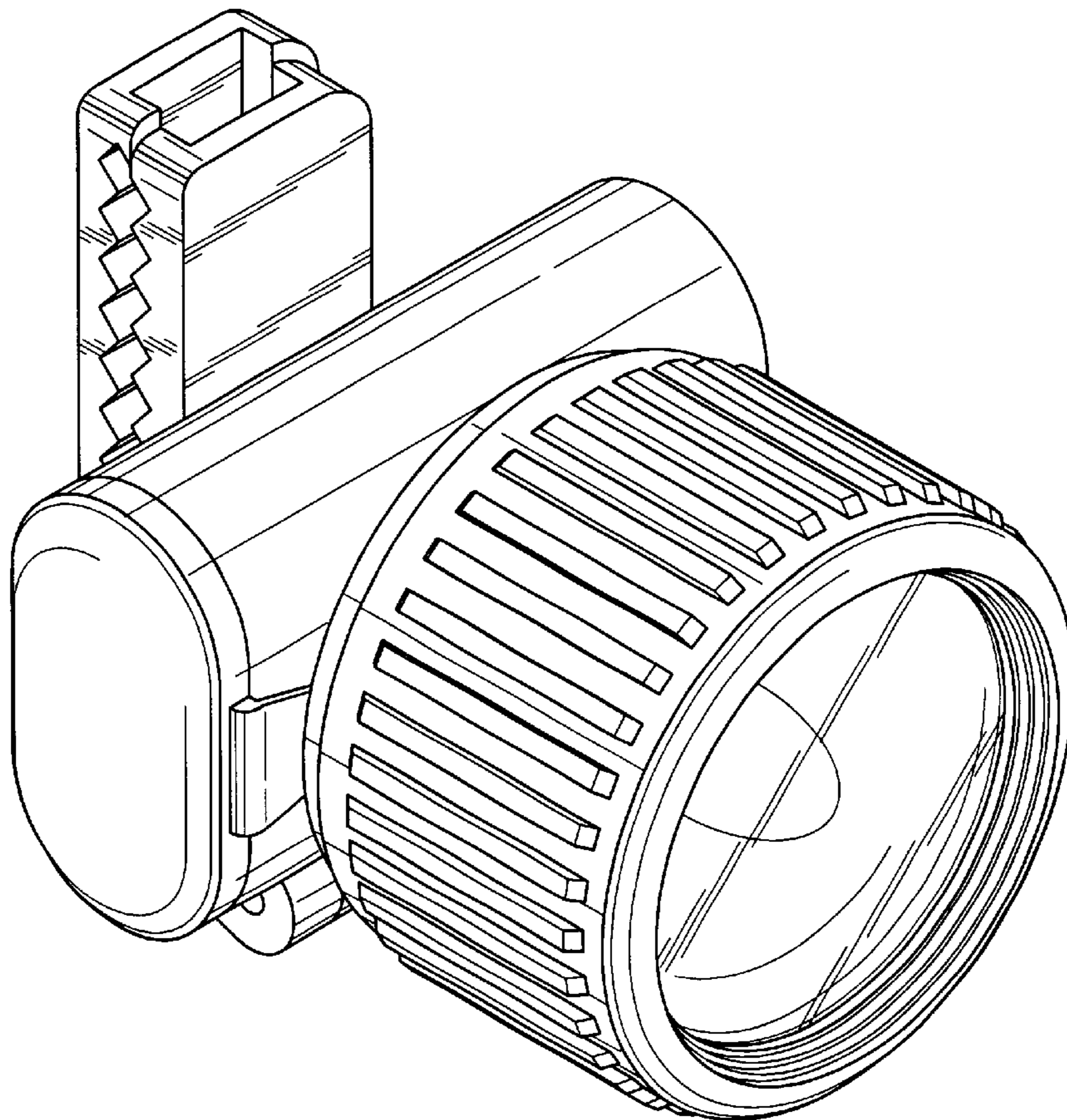
(56) **References Cited**

U.S. PATENT DOCUMENTS

FIG. 8 is a left side view in an extended position of the head light with clip of FIG. 1.

D. 394,720 * 5/1998 Yuen D26/39

1 Claim, 5 Drawing Sheets



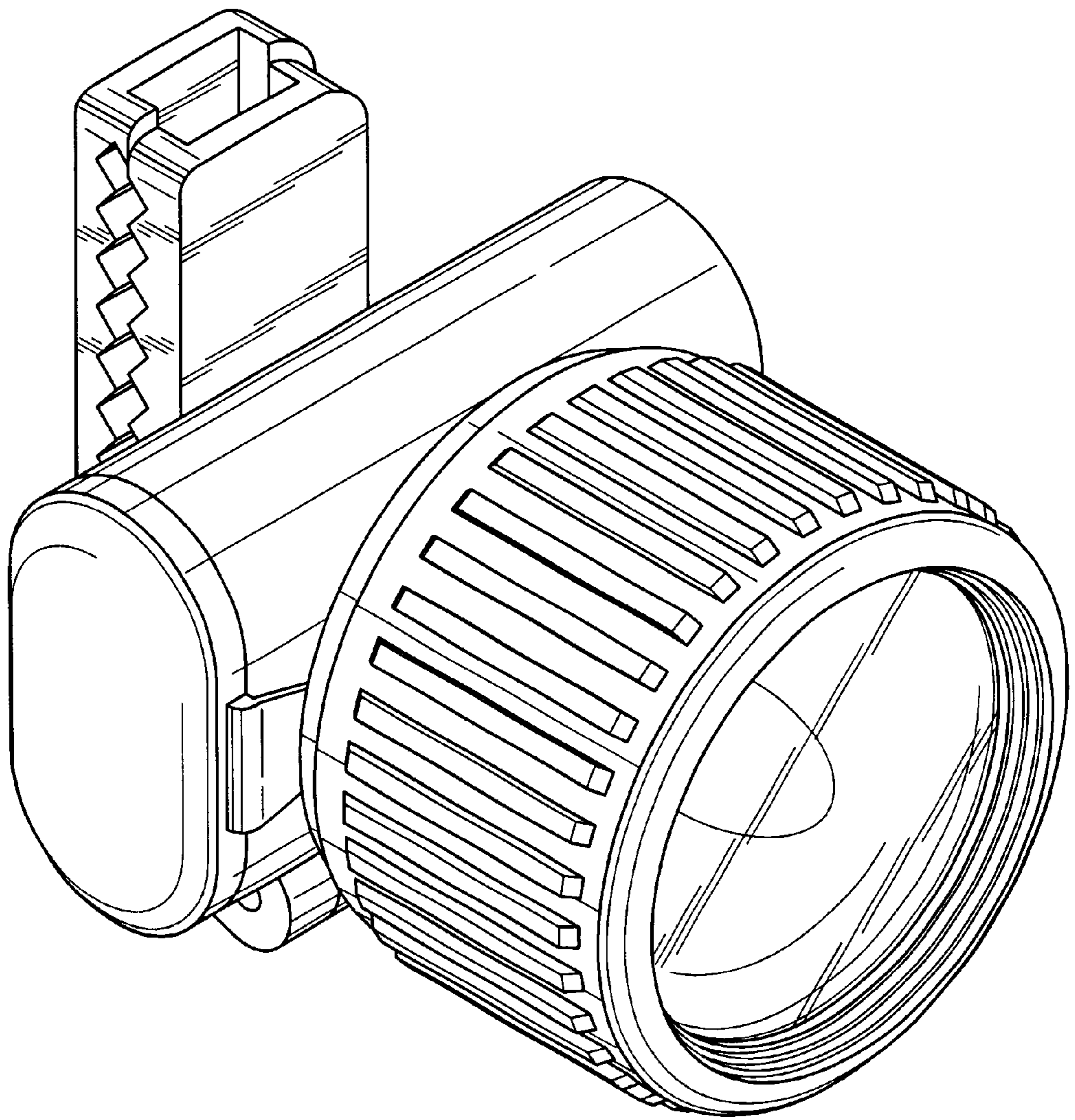


FIG. 1

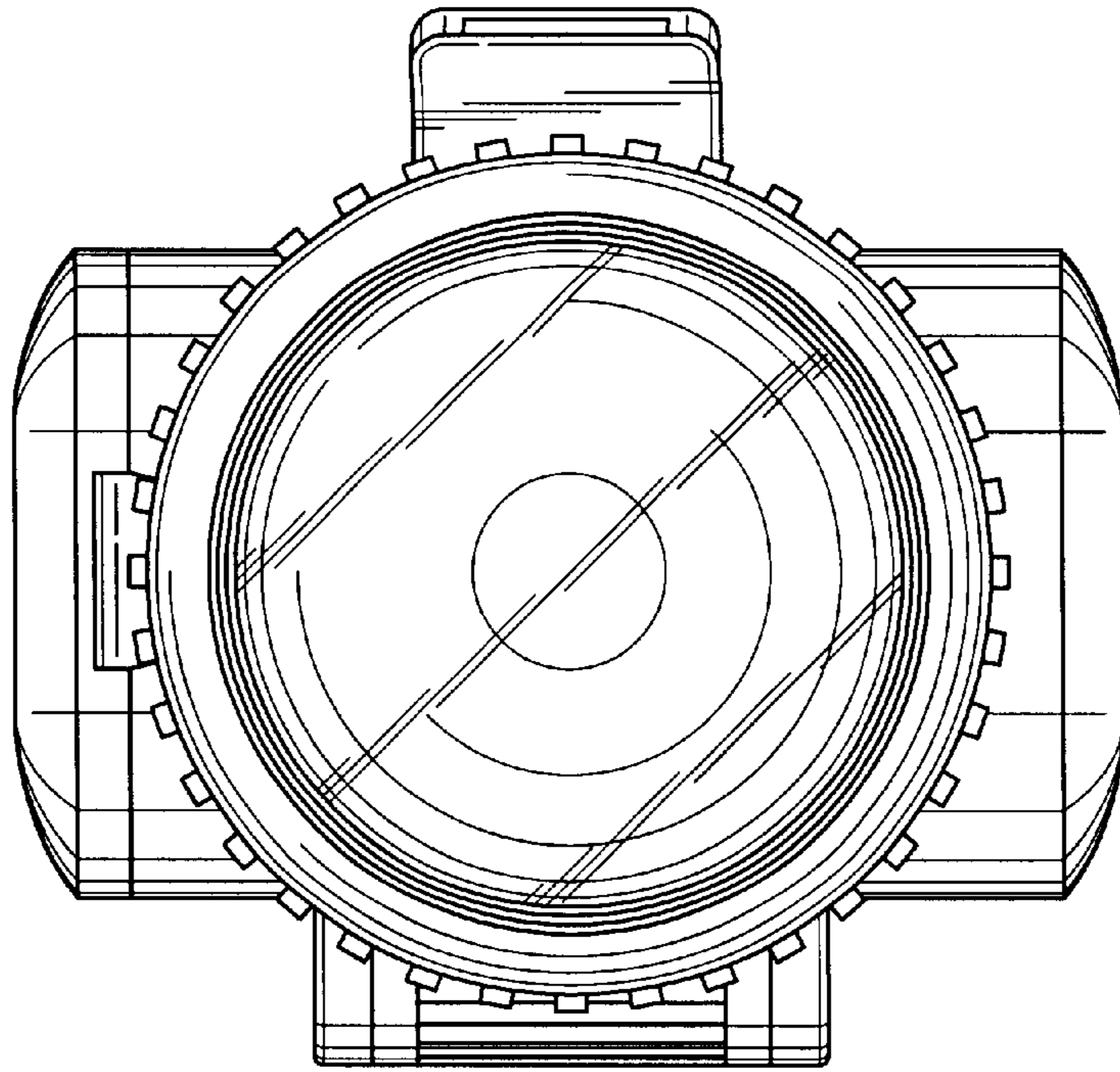


FIG. 2

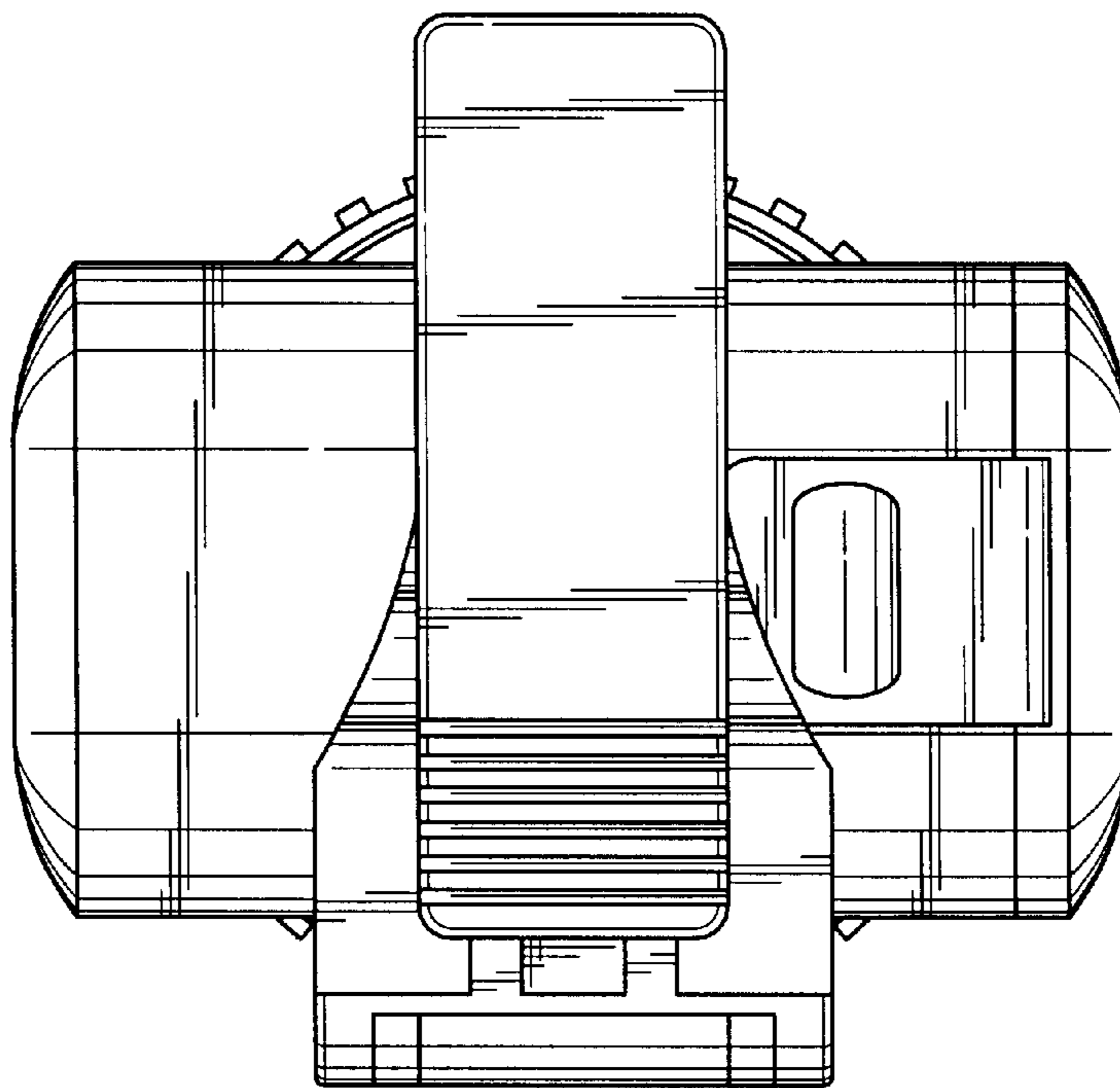


FIG. 3

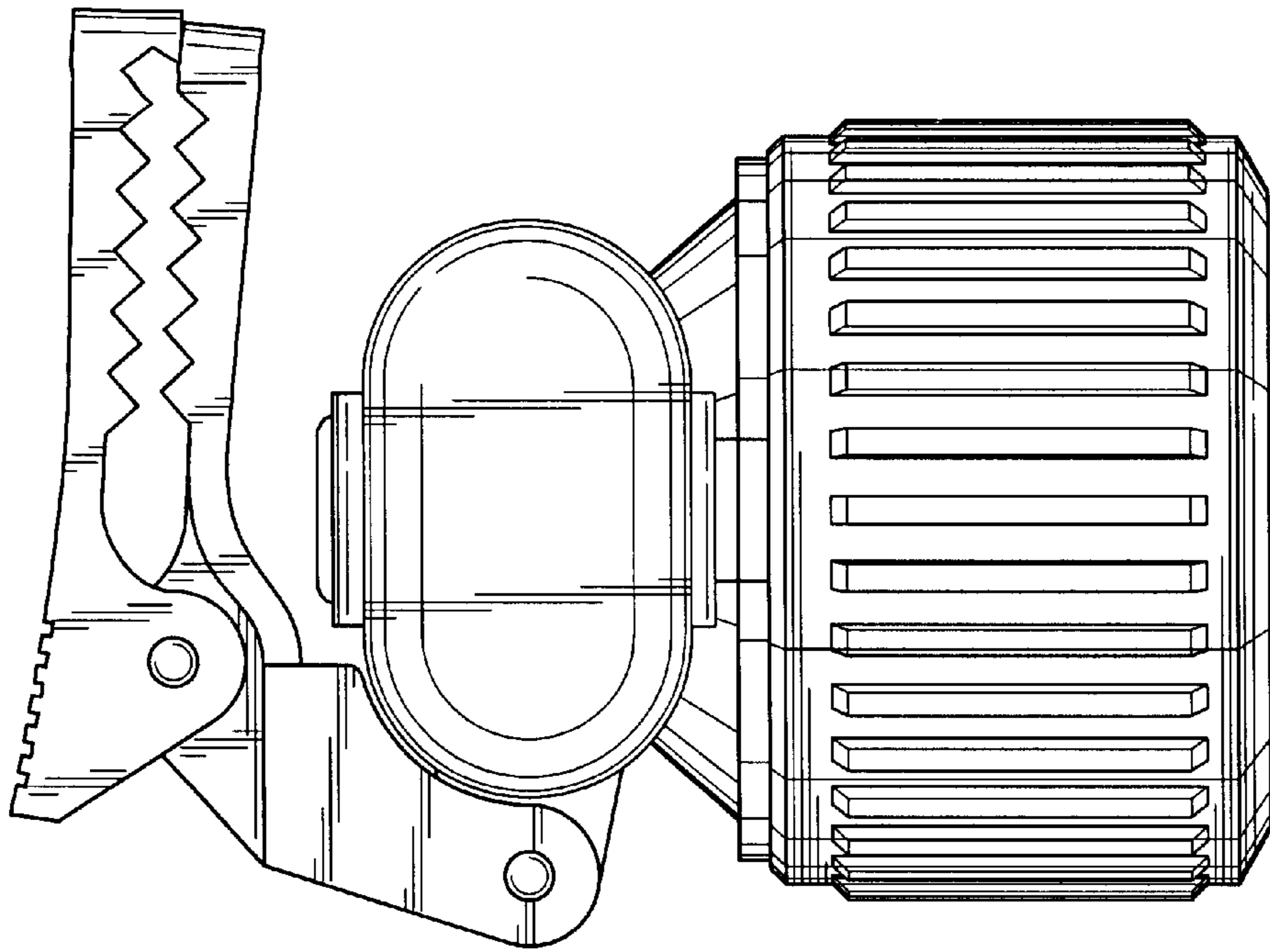


FIG. 4

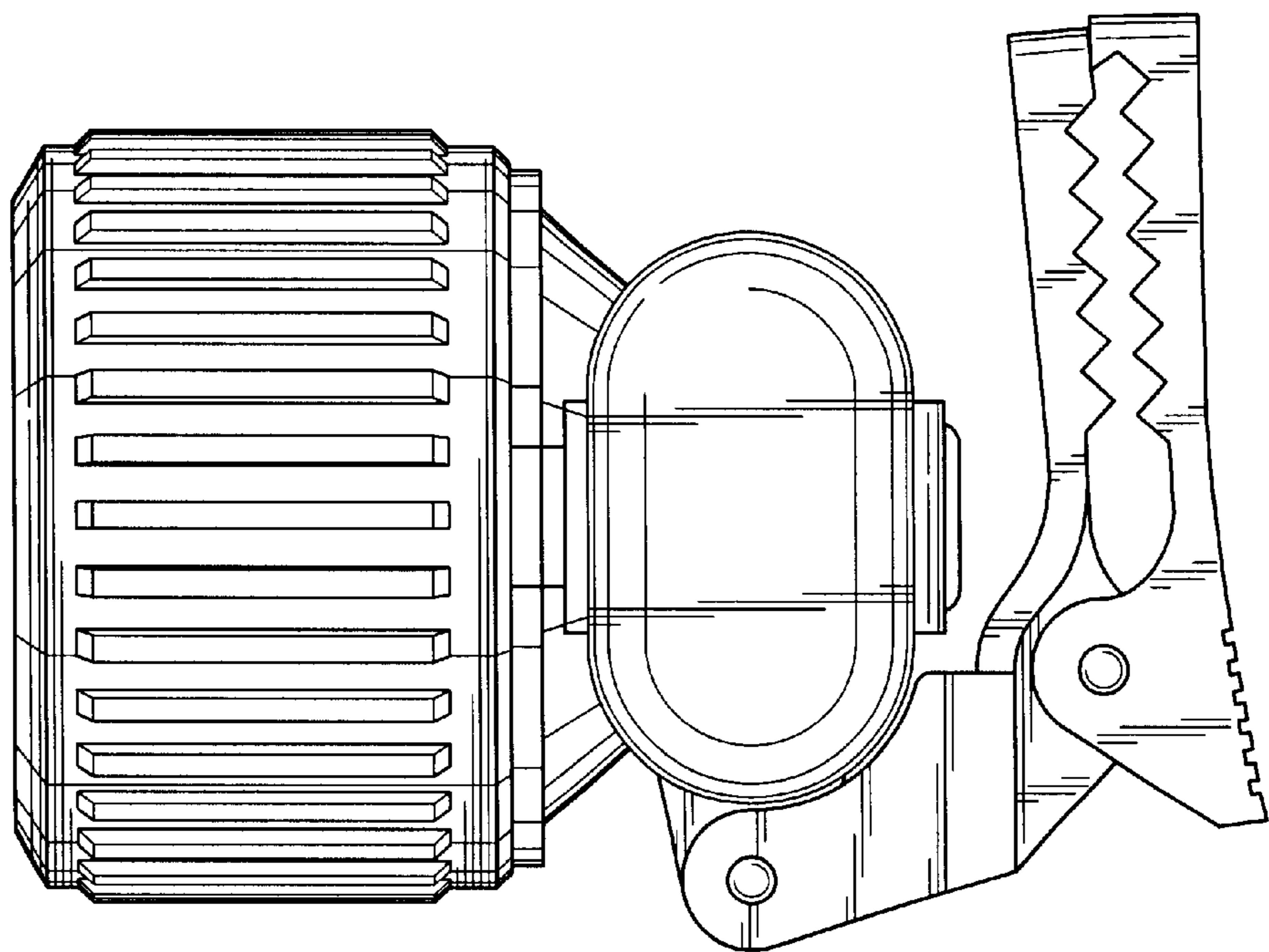


FIG. 5

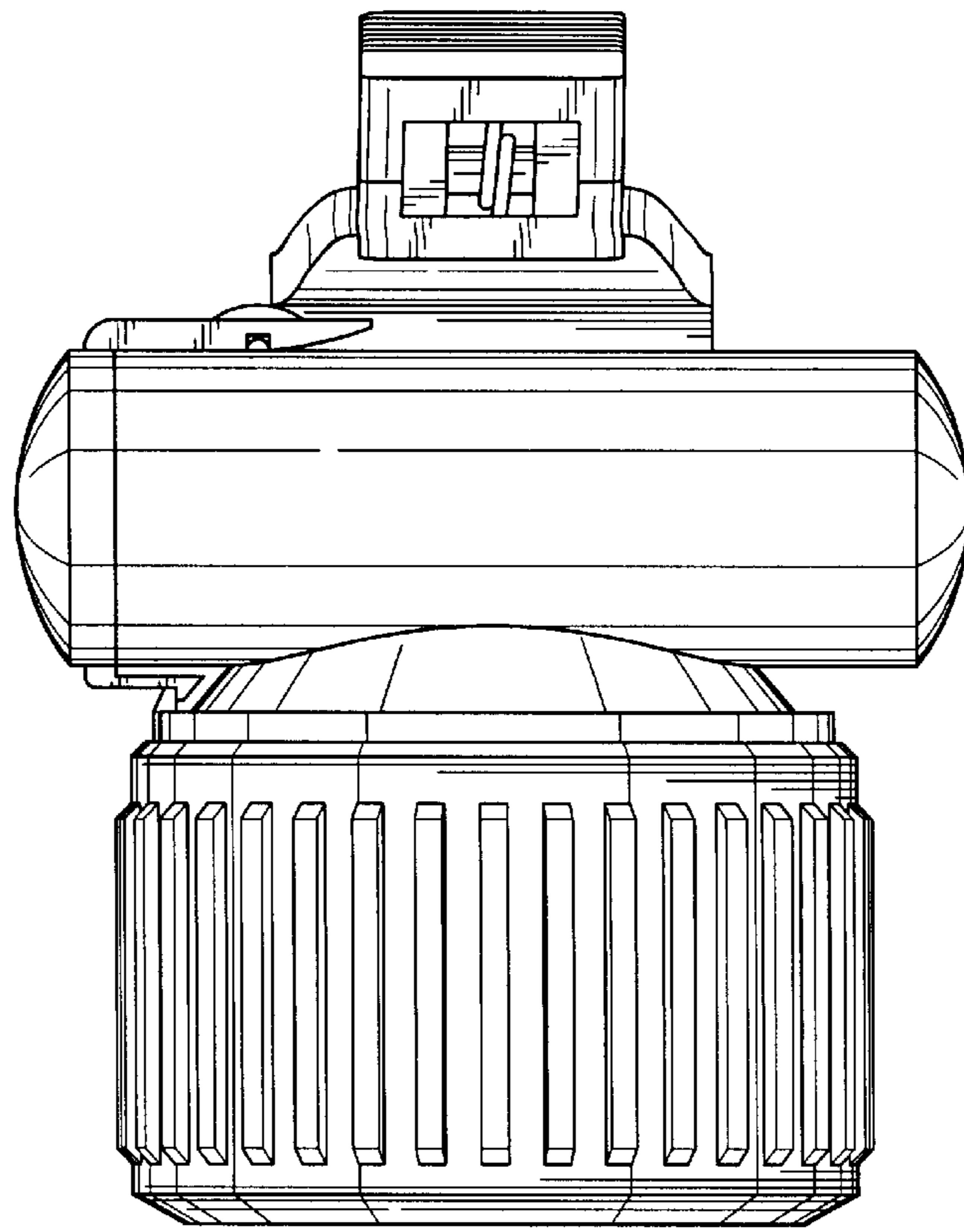


FIG. 6

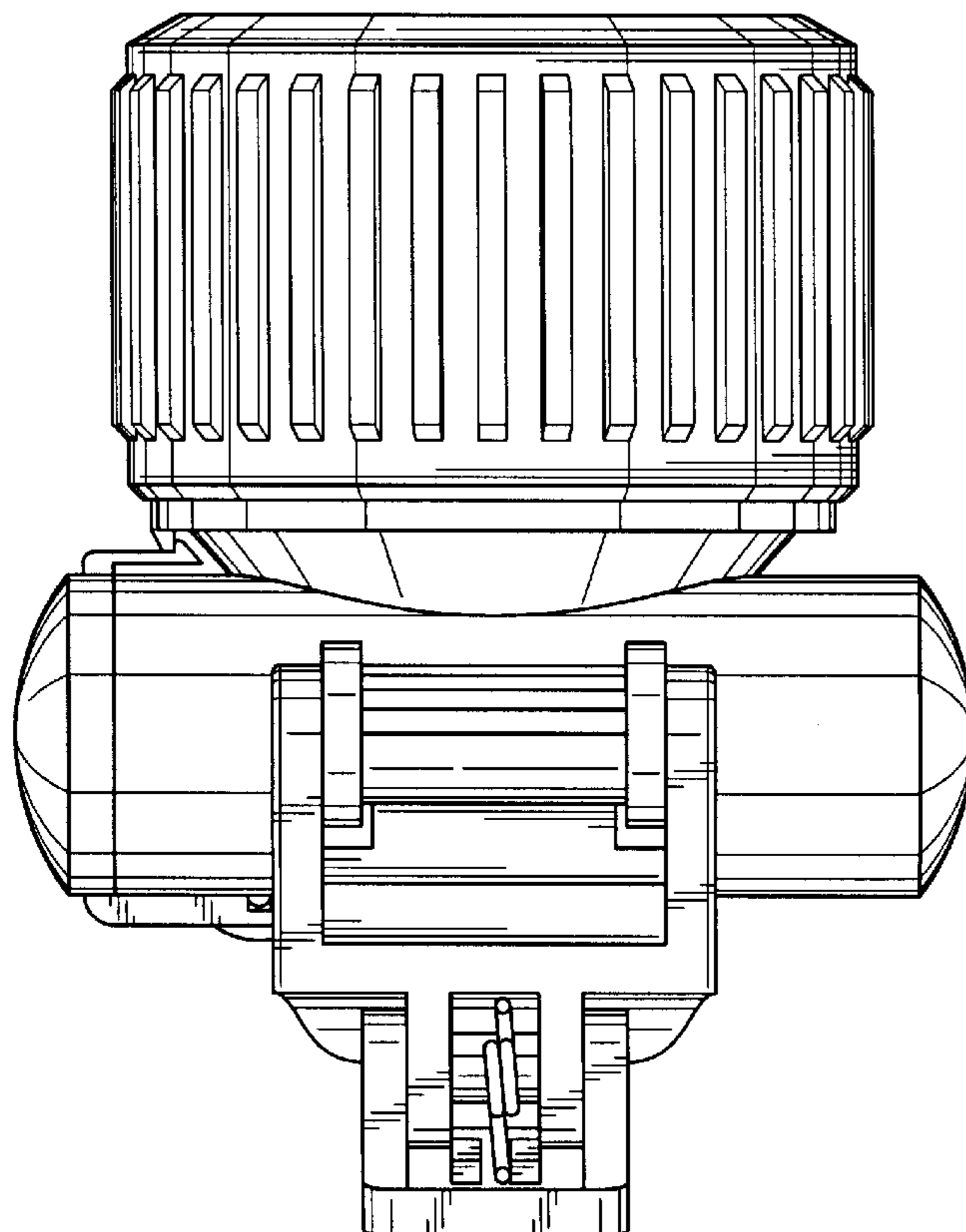


FIG. 7

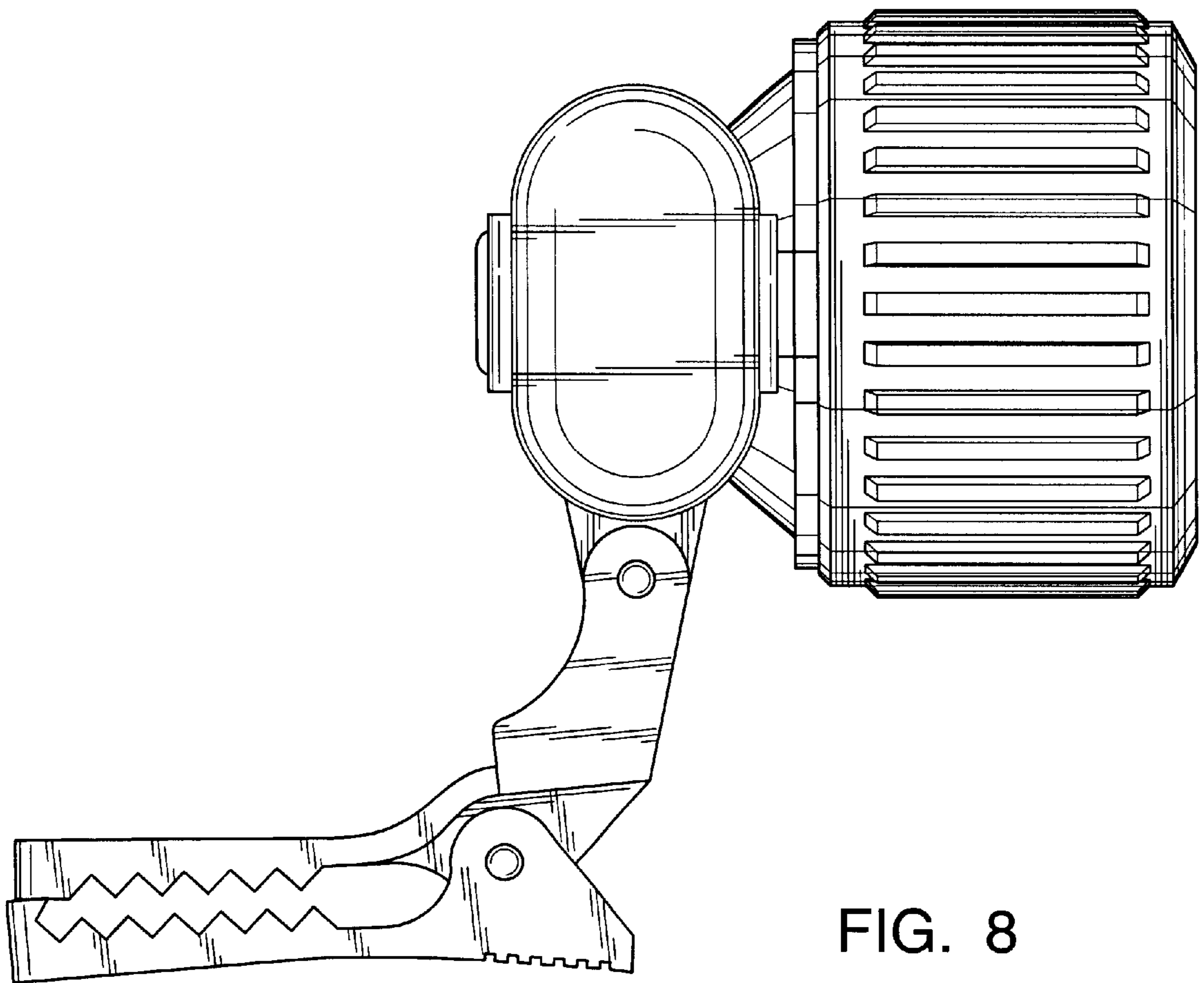


FIG. 8

UNITED STATES PATENT AND TRADEMARK OFFICE
CERTIFICATE OF CORRECTION

PATENT NO. : Des 447,587 S
DATED : September 4, 2001
INVENTOR(S) : Poon

Page 1 of 1

It is certified that error appears in the above-identified patent and that said Letters Patent is hereby corrected as shown below:


Title page,

Item [30], under **Foreign Application Priority Data**, delete "(CN)" and insert -- (HK) --.

Signed and Sealed this

Twenty-sixth Day of March, 2002

Attest:



Attesting Officer

JAMES E. ROGAN
Director of the United States Patent and Trademark Office