



US00D447584B1

(12) **United States Design Patent**
Guerrieri

(10) **Patent No.:** **US D447,584 S**

(45) **Date of Patent:** **** Sep. 4, 2001**

(54) **DOUBLE SIDED SAFETY LIGHT**

(75) Inventor: **Salvatore Guerrieri**, Garfield, NJ (US)

(73) Assignee: **Acolyte Systems Inc.**, New York, NY (US)

(**) Term: **14 Years**

(21) Appl. No.: **29/128,043**

(22) Filed: **Aug. 17, 2000**

(51) **LOC (7) Cl.** **26-02**

(52) **U.S. Cl.** **D26/37**

(58) **Field of Search** D26/37-50; 362/157, 362/158, 171, 172, 173, 183-208

(56) **References Cited**

U.S. PATENT DOCUMENTS

- D. 431,308 * 9/2000 Zynch et al. D26/37
- D. 436,195 * 1/2001 Au-Yeung D26/37
- D. 437,432 * 2/2001 Meoli, Jr. D26/37

OTHER PUBLICATIONS

<http://www.clubthings.com/product34.html> prior to Aug. 17, 2000.

http://store1.yimg.com/I/eparty_1575_10431 prior to Aug. 17, 2000.

* cited by examiner

Primary Examiner—Marcus A. Jackson

(74) *Attorney, Agent, or Firm*—Jonathan B. Schafrann; Jennifer Meredith

(57) **CLAIM**

We claim the ornamental design for the double sided safety light, as shown and described.

DESCRIPTION

FIG. 1 is a bottom view of a double sided safety light showing our new design;

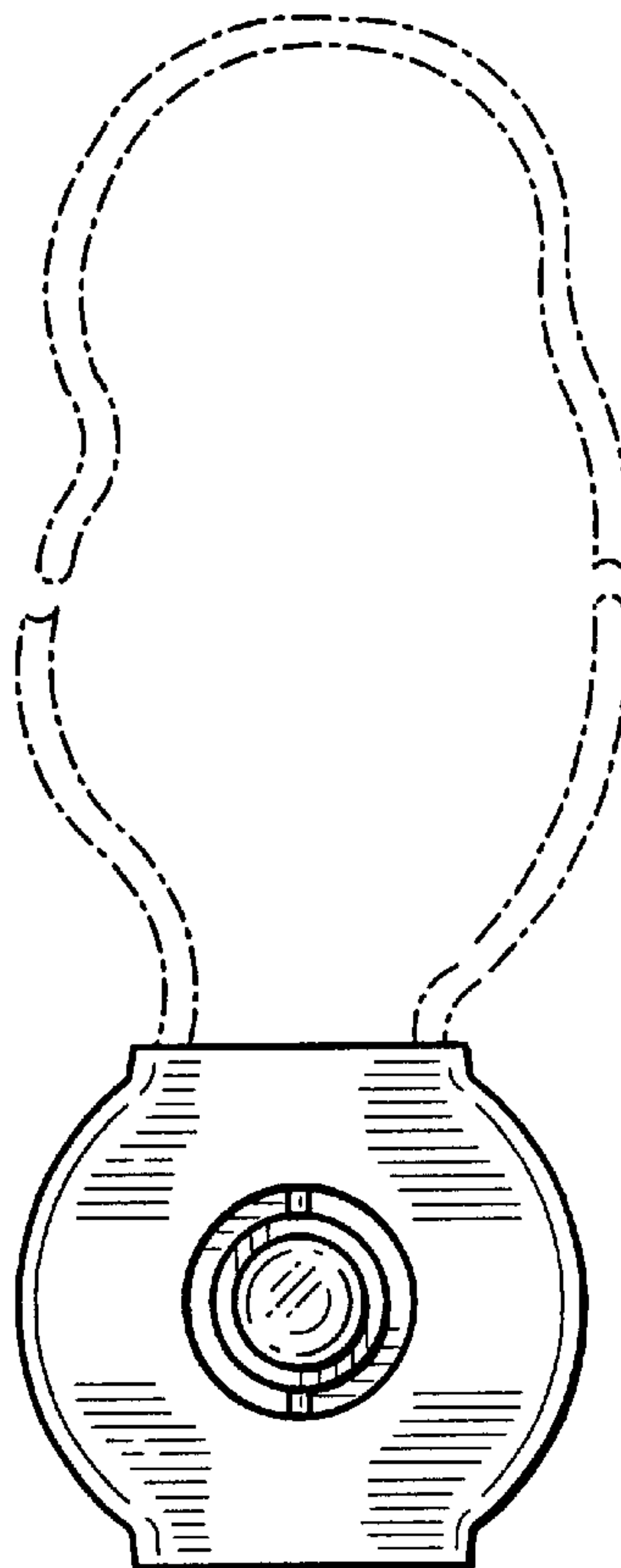
FIG. 2 is a front view thereof;

FIG. 3 is a right side view thereof, the left side view being the same as said right side view;

FIG. 4 is a top view; and,

FIG. 5 is a perspective view.

1 Claim, 1 Drawing Sheet



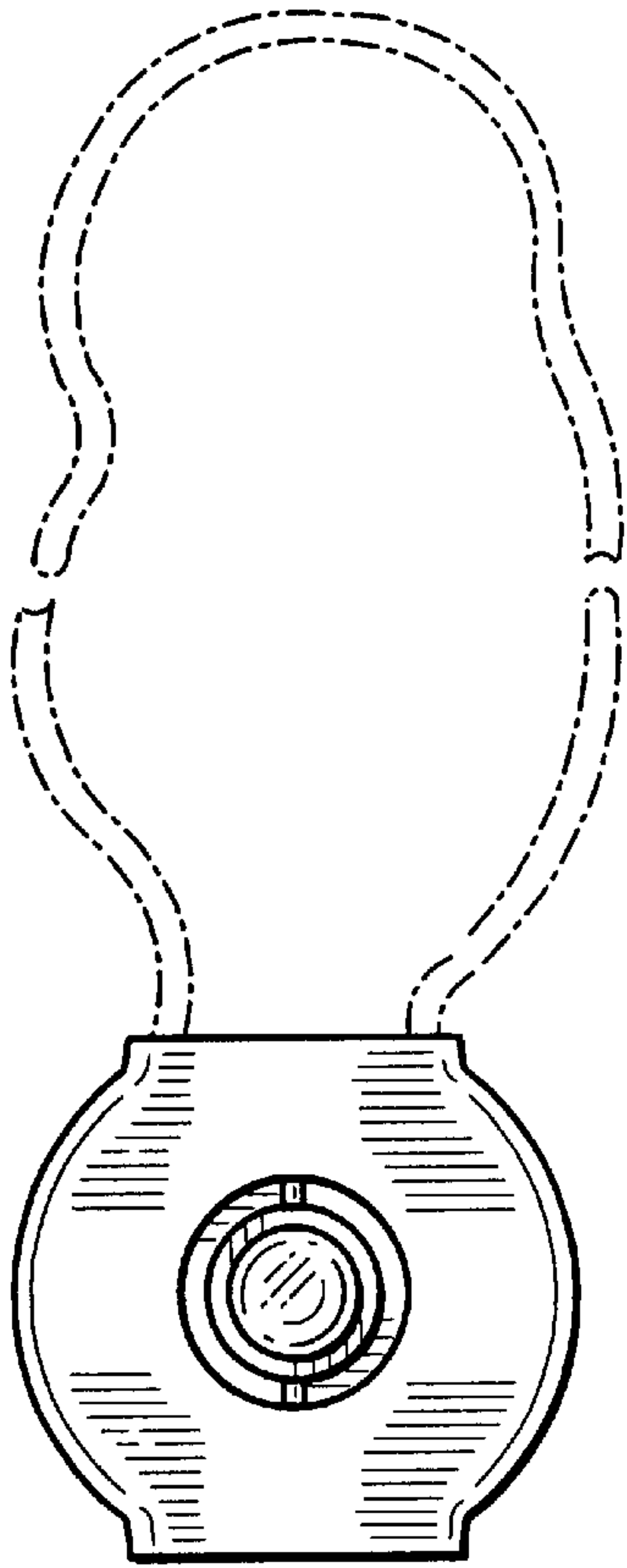


FIG. 1

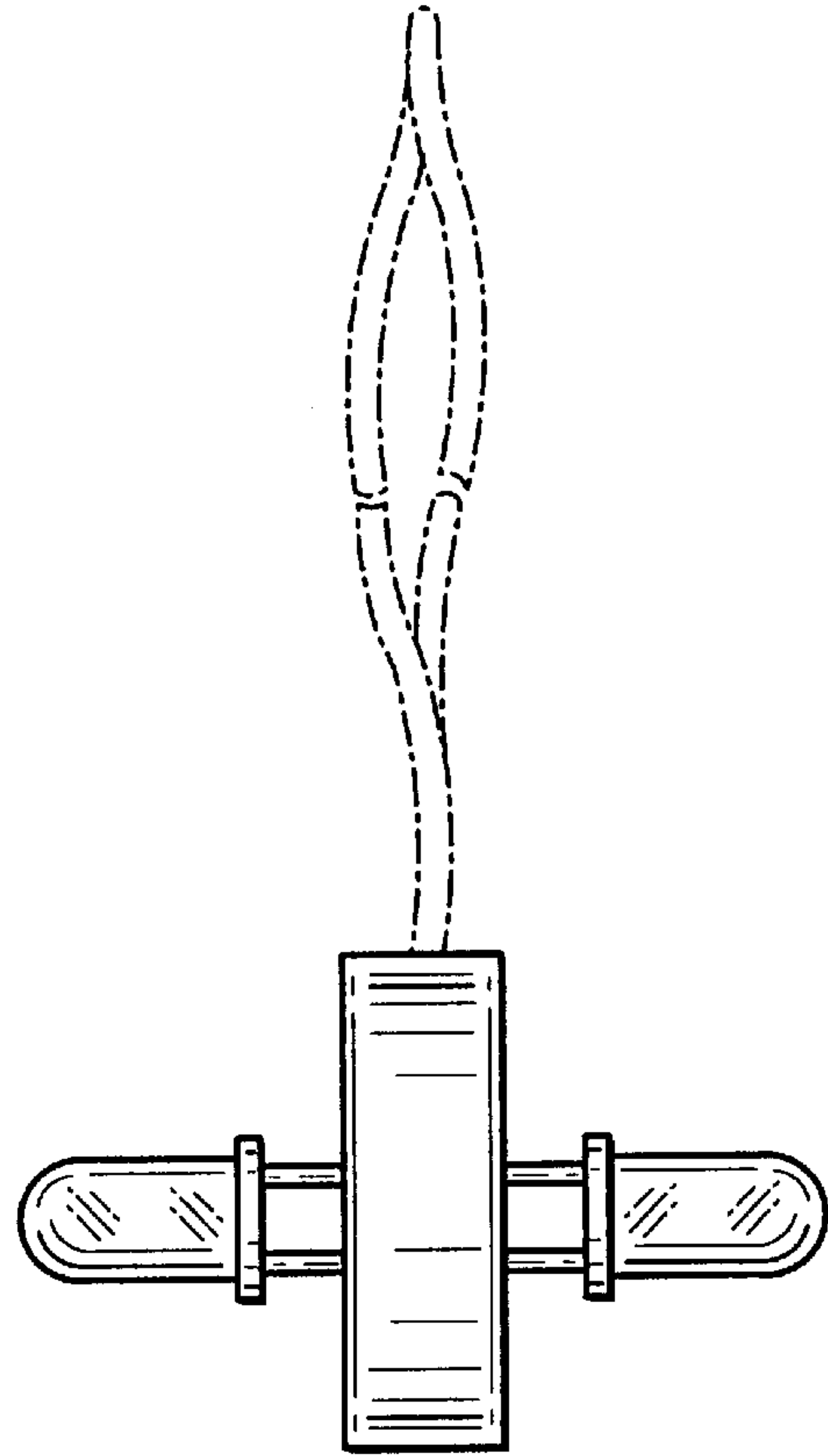


FIG. 2

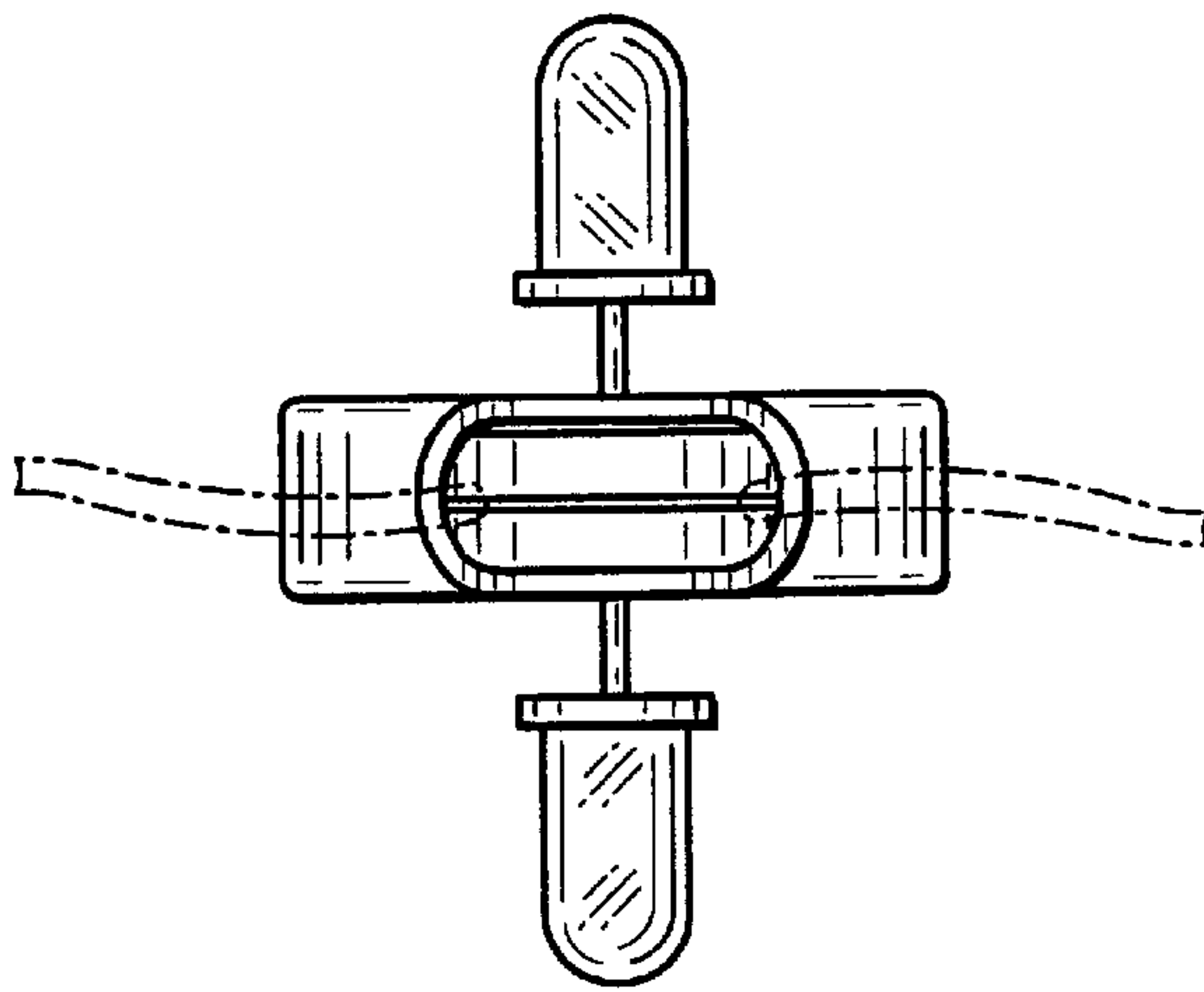


FIG. 3

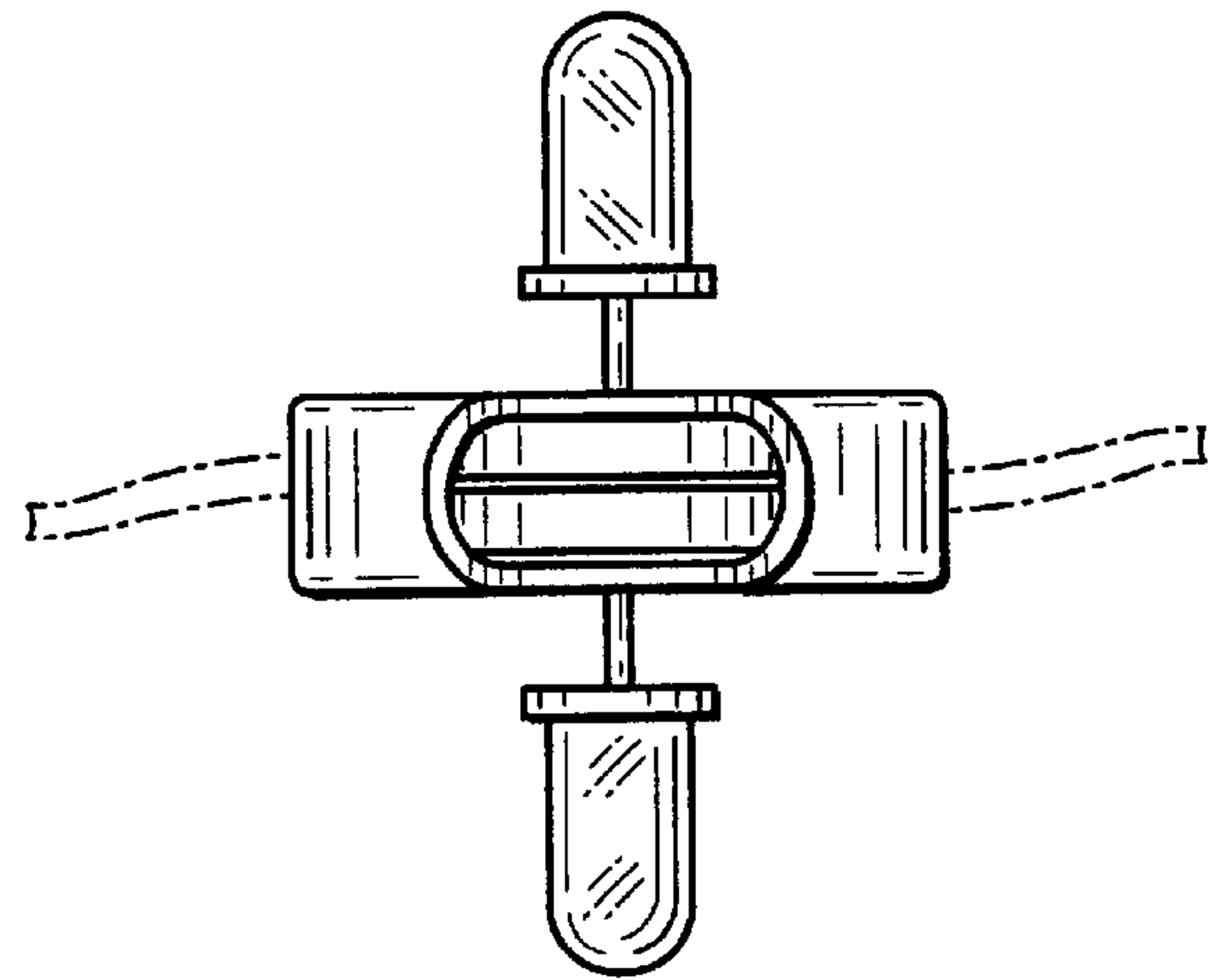


FIG. 4