



US00D447583B1

(12) **United States Design Patent**
Oh et al.

(10) **Patent No.:** **US D447,583 S**

(45) **Date of Patent:** **** Sep. 4, 2001**

(54) **HEAD LAMP FOR AUTOMOBILE**

D. 414,571 * 9/1999 Schneider et al. D26/28
D. 427,342 * 6/2000 Hunter et al. D26/28

(75) Inventors: **Young Sub Oh**, Ulsan; **Chang Jin Lee**, Taegu, both of (KR)

* cited by examiner

(73) Assignees: **Hyundai Motor Company; Hyundai Mobis**, both of Seoul (KR)

Primary Examiner—Marcus A. Jackson
(74) *Attorney, Agent, or Firm*—McGuire Woods, LLP

(**) Term: **14 Years**

(57) **CLAIM**

(21) Appl. No.: **29/132,842**

We claim the ornamental design for a head lamp for automobile, as shown and described.

(22) Filed: **Nov. 17, 2000**

(30) **Foreign Application Priority Data**

DESCRIPTION

May 19, 2000 (KR) 00-12993

FIG. 1 is a perspective view of the lamp;
FIG. 2 is a front elevation view of the lamp;
FIG. 3 is a rear elevation view of the lamp;
FIG. 4 is a left side elevation view of the lamp;
FIG. 5 is a right side elevation view of the lamp;
FIG. 6 is a top plan view of the lamp; and,
FIG. 7 is a bottom plan view of the lamp.

(51) **LOC (7) Cl.** **26-06**

(52) **U.S. Cl.** **D26/28**

(58) **Field of Search** D26/28-36; 362/80, 362/81, 82, 83, 83.4, 267, 269, 275

(56) **References Cited**

U.S. PATENT DOCUMENTS

D. 406,910 * 3/1999 Bangle D26/28

1 Claim, 4 Drawing Sheets





FIG. 1

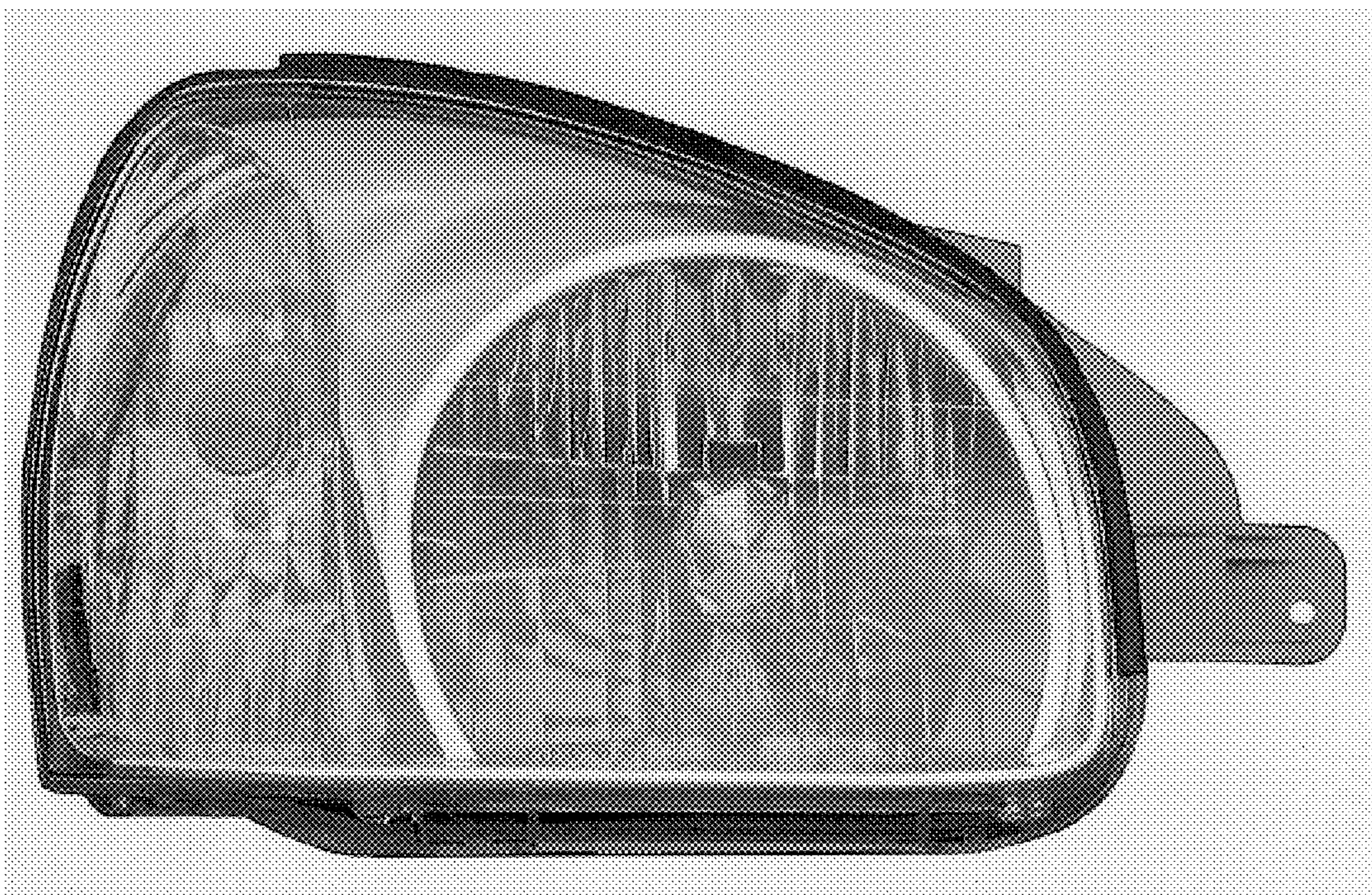


FIG. 2

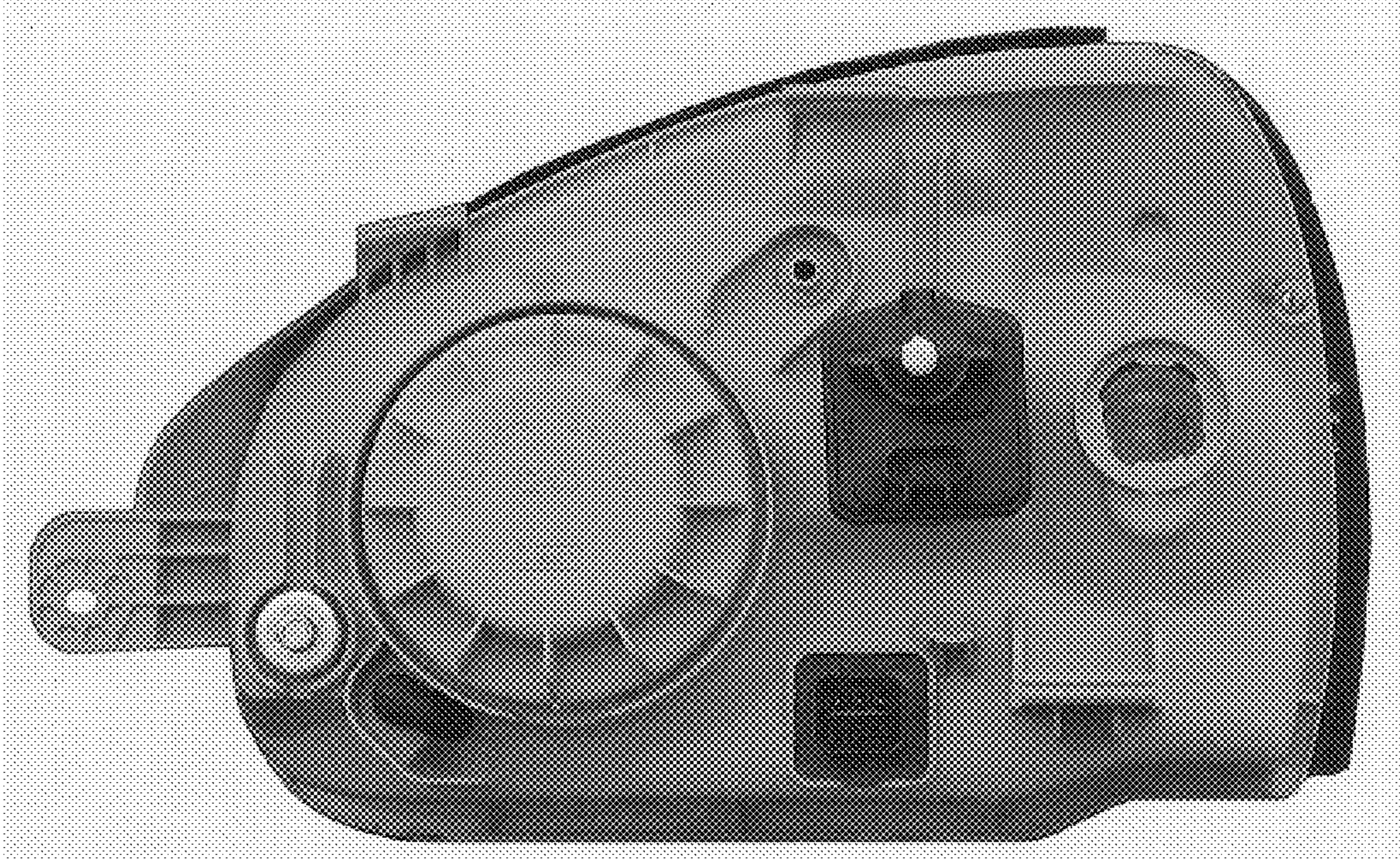


FIG.3

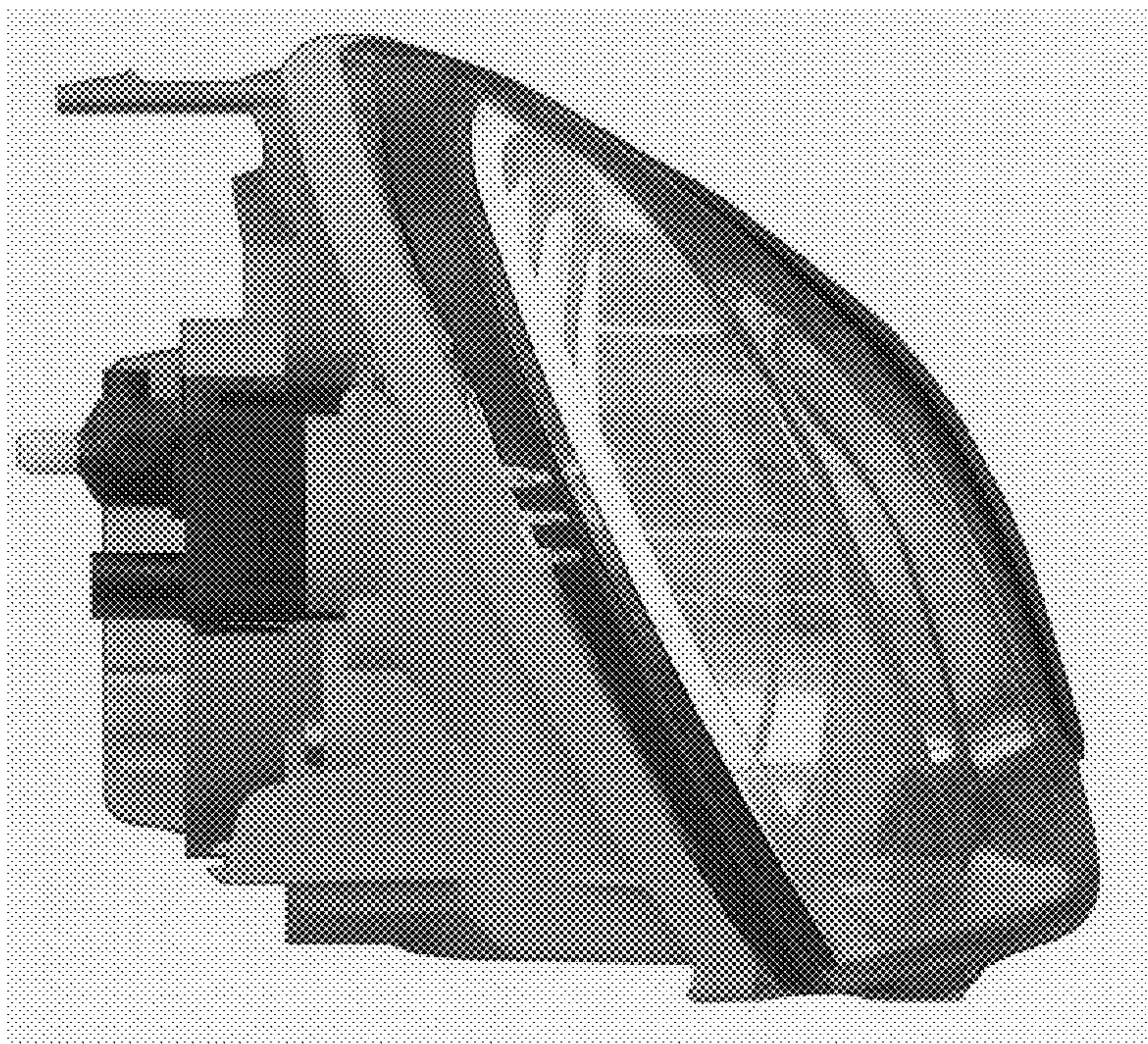


FIG.4

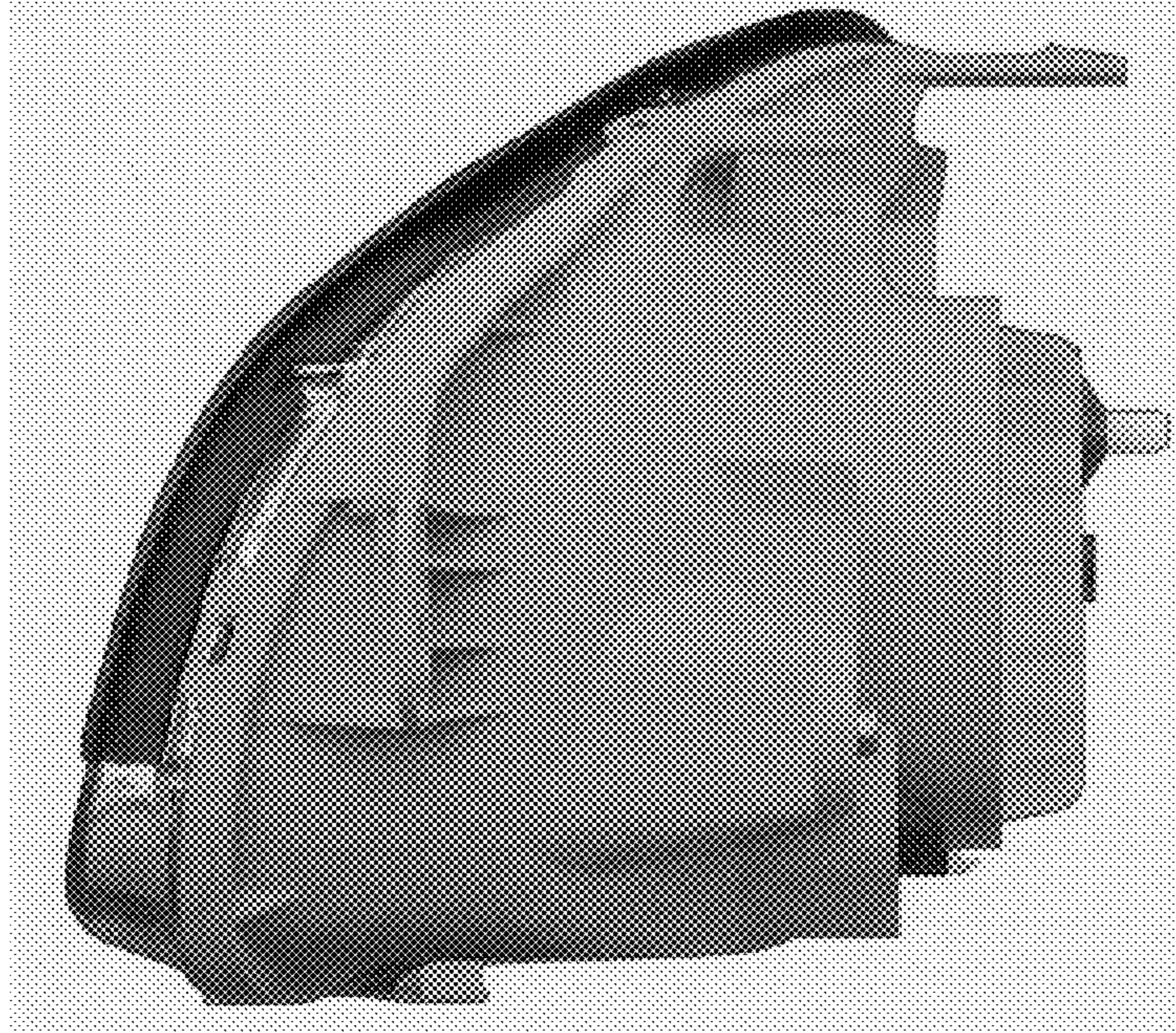


FIG. 5

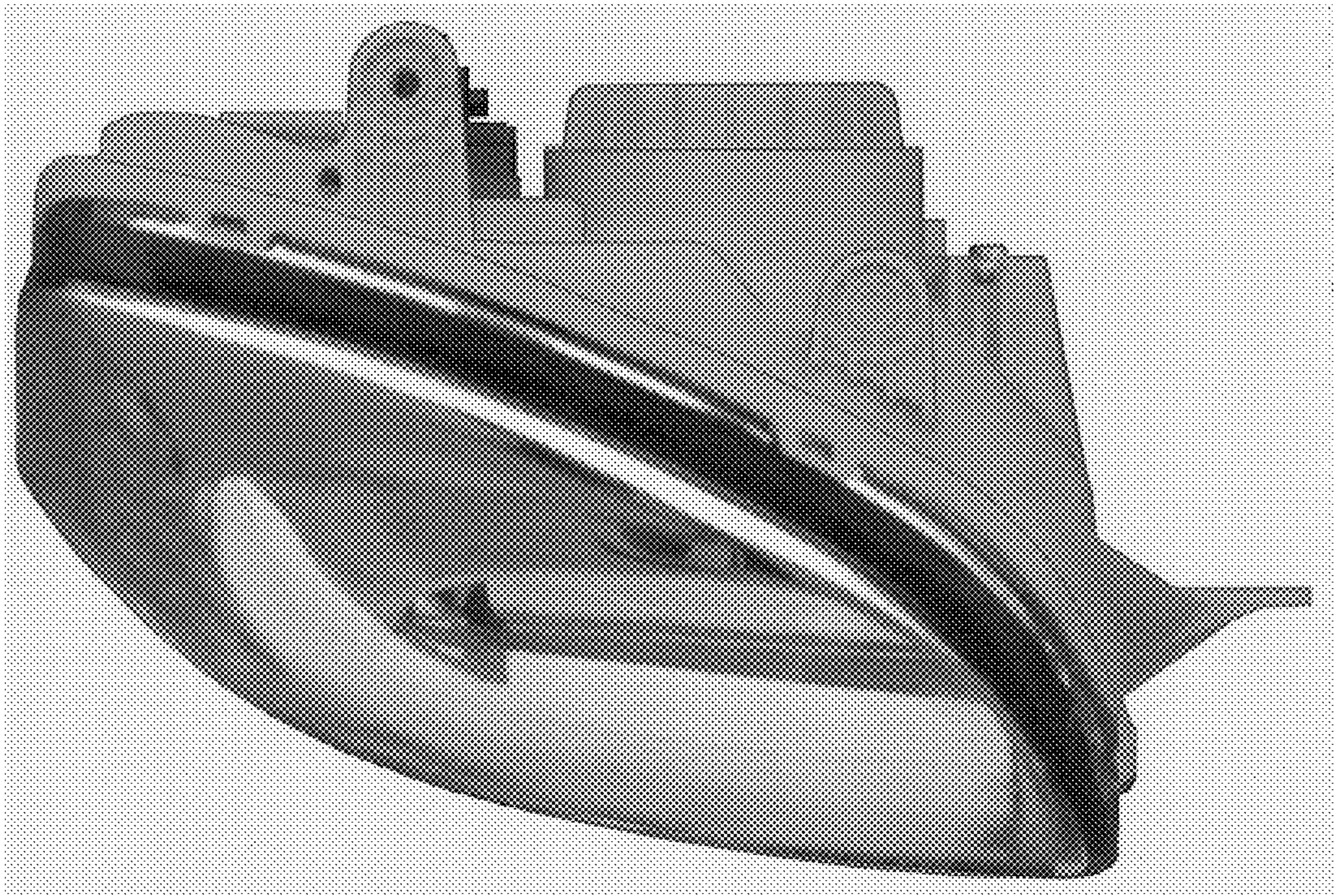


FIG. 6

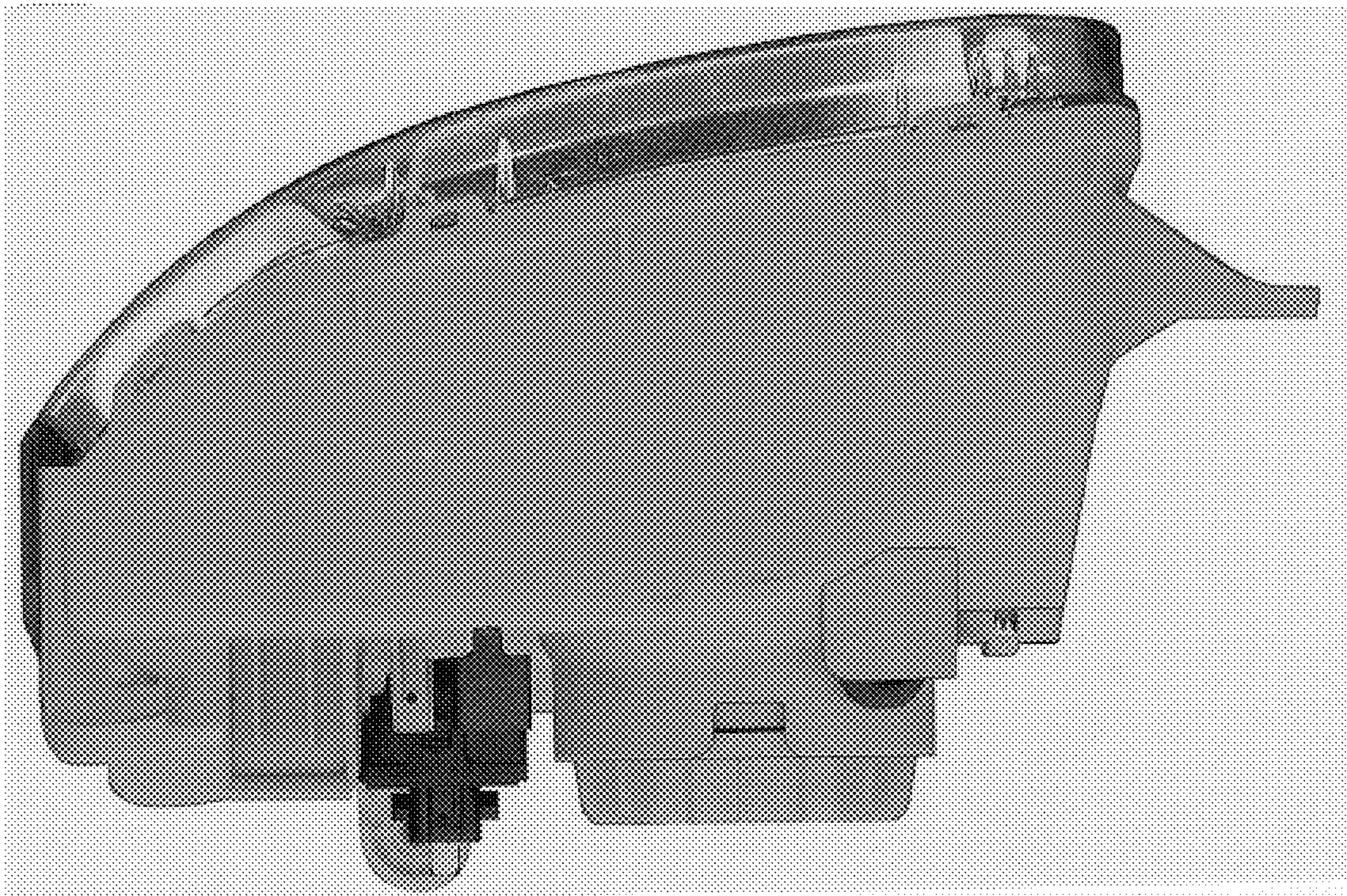


FIG.7

UNITED STATES PATENT AND TRADEMARK OFFICE
CERTIFICATE OF CORRECTION

PATENT NO. : Des. 447,583 S
DATED : September 4, 2001
INVENTOR(S) : Young Sub Oh et al.

Page 1 of 1

It is certified that error appears in the above-identified patent and that said Letters Patent is hereby corrected as shown below:

Title page,
Item [73], Assignees, add -- **Samlip Electronic Machinery Co., Ltd.,**
of Taegu (KR). --

Signed and Sealed this

Fifth Day of November, 2002

Attest:

A handwritten signature in black ink, appearing to read "James E. Rogan", written over a horizontal line.

Attesting Officer

JAMES E. ROGAN
Director of the United States Patent and Trademark Office

UNITED STATES PATENT AND TRADEMARK OFFICE
CERTIFICATE OF CORRECTION

PATENT NO. : Des. 447,583 S
DATED : September 4, 2001
INVENTOR(S) : Young Sub Oh et al.

Page 1 of 1

It is certified that error appears in the above-identified patent and that said Letters Patent is hereby corrected as shown below:

Title page,
Item [73], Assignees, add -- **Samlip Electric Machinery Co., Ltd.,**
of Taegu (KR). --

This certificate supersedes Certificate of Correction issued November 5, 2002.

Signed and Sealed this

Twenty-seventh Day of April, 2004

A handwritten signature in black ink that reads "Jon W. Dudas". The signature is written in a cursive style with a large, looped initial "J".

JON W. DUDAS
Acting Director of the United States Patent and Trademark Office