



US00D447582B1

(12) **United States Design Patent**
Kang

(10) **Patent No.:** **US D447,582 S**

(45) **Date of Patent:** **** Sep. 4, 2001**

(54) **STOP LAMP FOR AUTOMOBILE**

D. 410,292 * 5/1999 Mayle D26/28
D. 415,849 * 10/1999 Goldberg D26/28

(75) Inventor: **Jin Ho Kang**, Ulsan (KR)

* cited by examiner

(73) Assignees: **Hyundai Motor Company; Hyundai Mobis**, both of Seoul (KR)

Primary Examiner—Marcus A. Jackson
(74) *Attorney, Agent, or Firm*—McGuire Woods, LLP

(**) Term: **14 Years**

(57) **CLAIM**

(21) Appl. No.: **29/132,461**

I claim the ornamental design for stop lamp for automobile, as shown and described.

(22) Filed: **Nov. 13, 2000**

DESCRIPTION

(30) **Foreign Application Priority Data**

May 18, 2000 (KR) 00-12891

The stop lamp for automobile is made from a molded synthetic resin and is mounted on the rear part of a back seat and functions to turn on and off at the same time as the break lamp.

(51) **LOC (7) Cl.** **26-06**

(52) **U.S. Cl.** **D26/28**

(58) **Field of Search** D26/28-36; D10/109, D10/111, 114, 121; 362/61, 80, 80.1, 83.3, 227, 235, 240, 269, 362

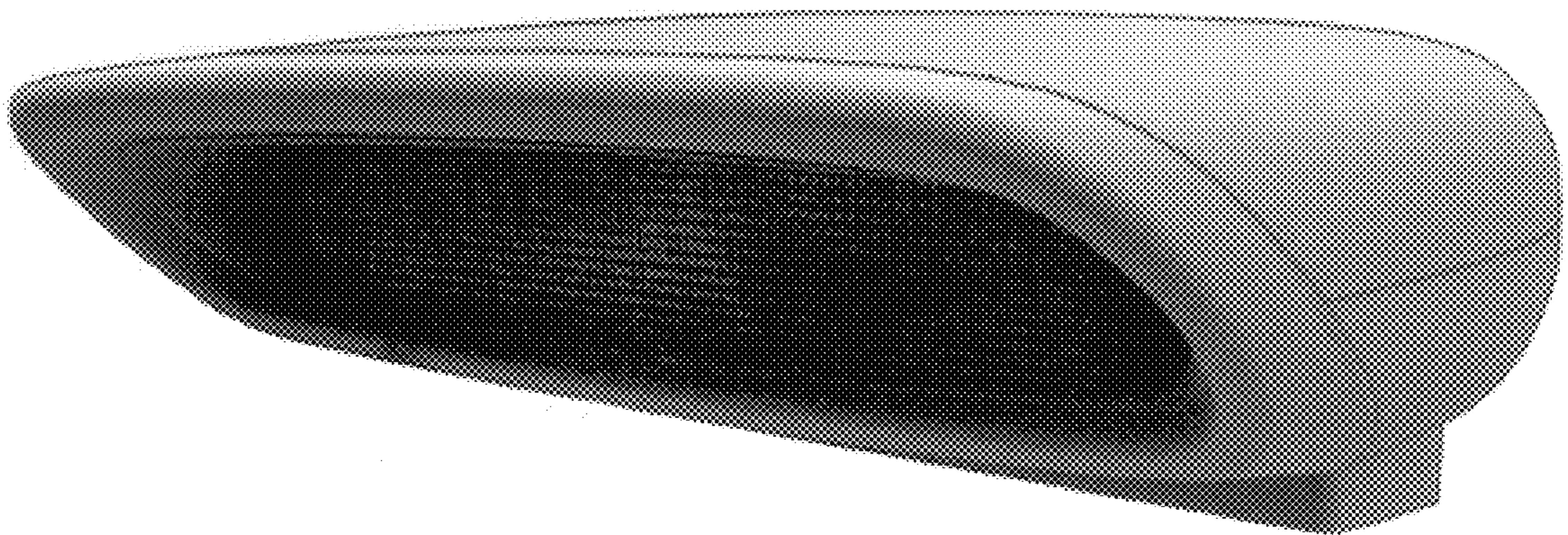
FIG. 1 is a front perspective view of the stop lamp; FIG. 2 is a front elevation view of the stop lamp; FIG. 3 is a back elevation view of the stop lamp; FIG. 4 is a left side plan view of the stop lamp, where the right side of the stop lamp is the mirror image identical to FIG. 4; FIG. 5 is a top plan view of the stop lamp; and, FIG. 6 is a bottom plan view of the stop lamp.

(56) **References Cited**

U.S. PATENT DOCUMENTS

D. 381,923 * 8/1997 Rowe et al. D26/28
D. 393,913 * 4/1998 Edsall D26/28

1 Claim, 3 Drawing Sheets



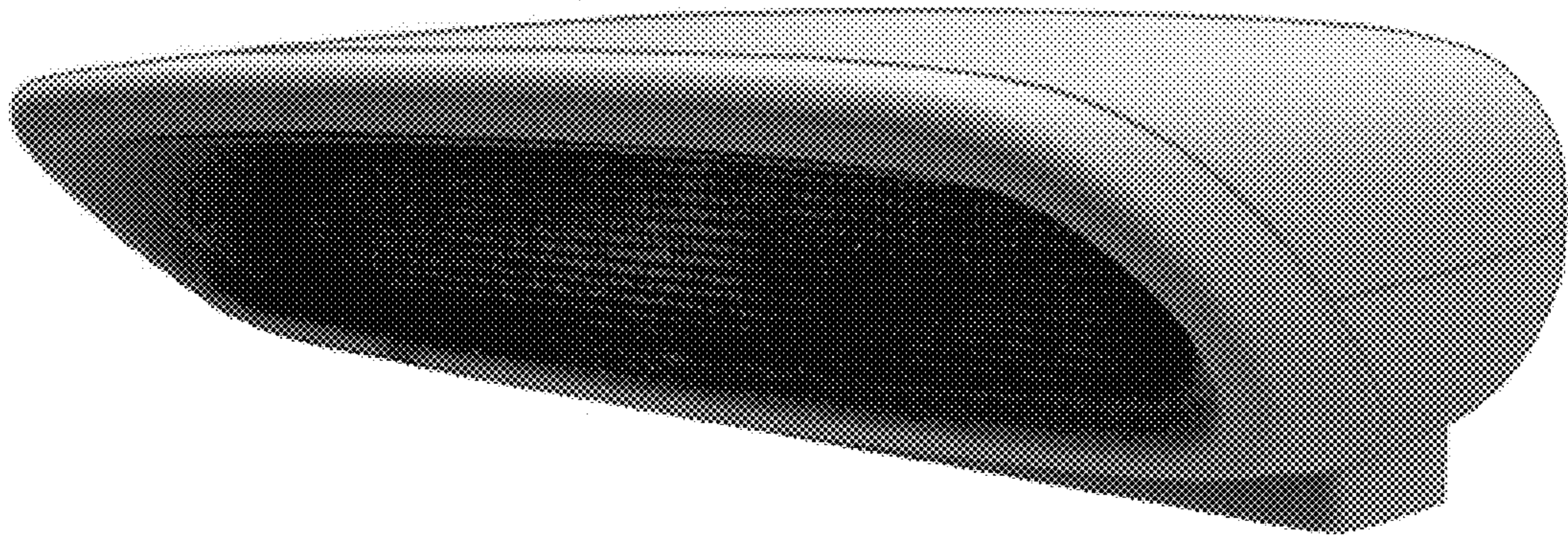


FIG. 1

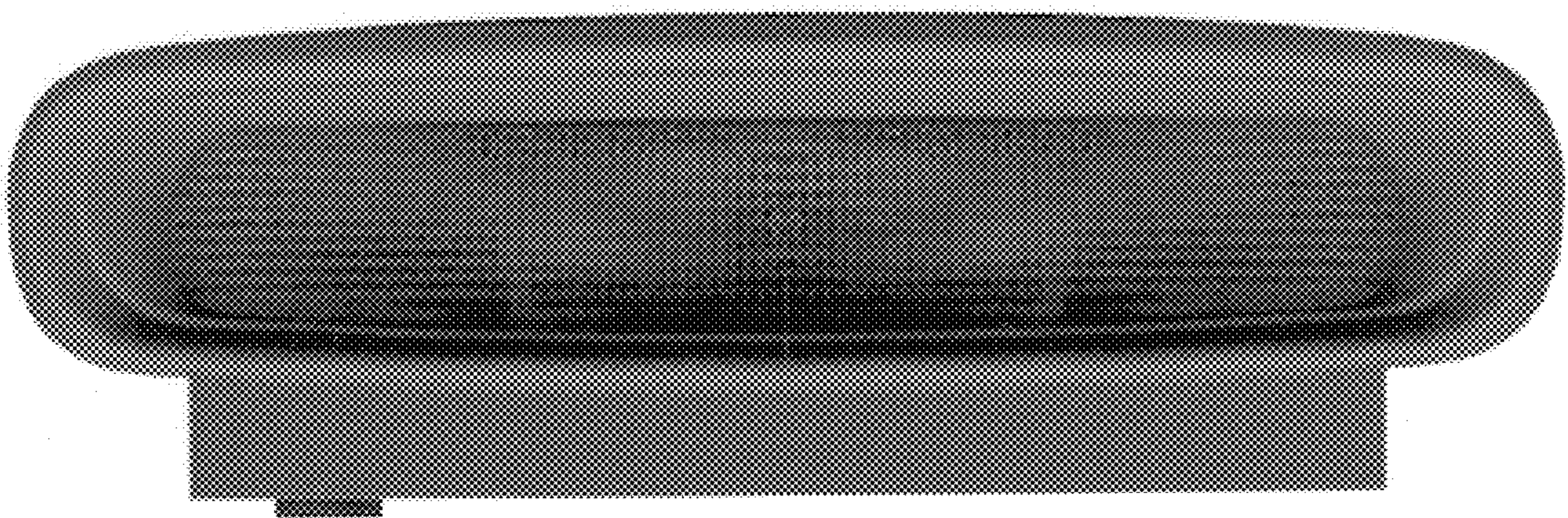


FIG. 2

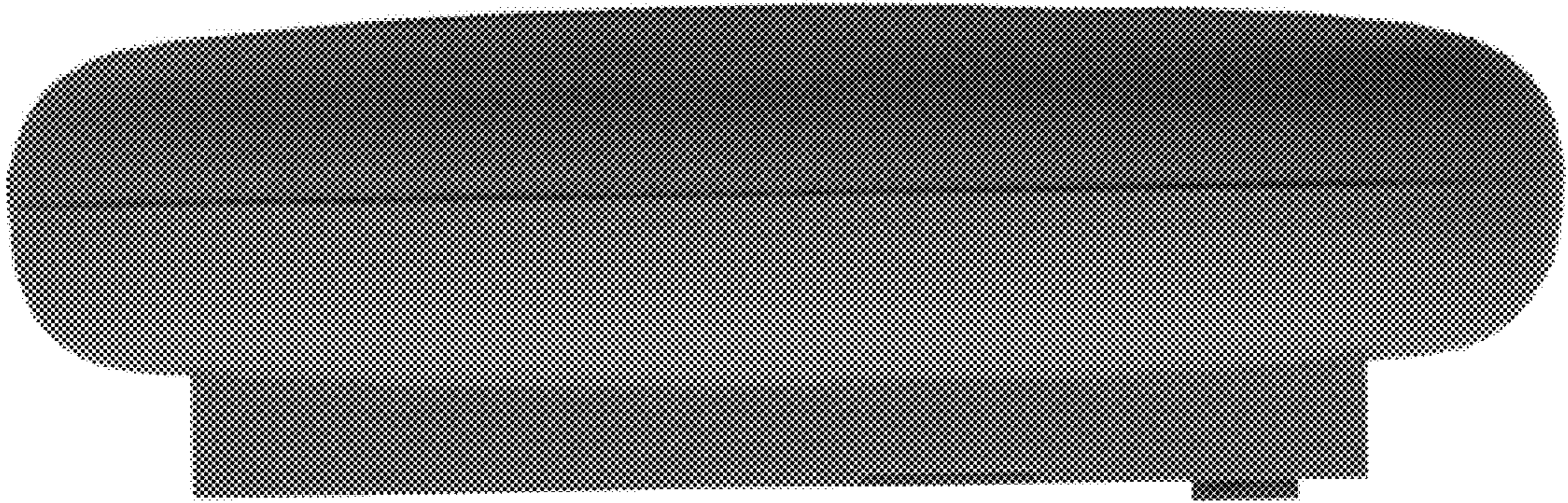


FIG.3

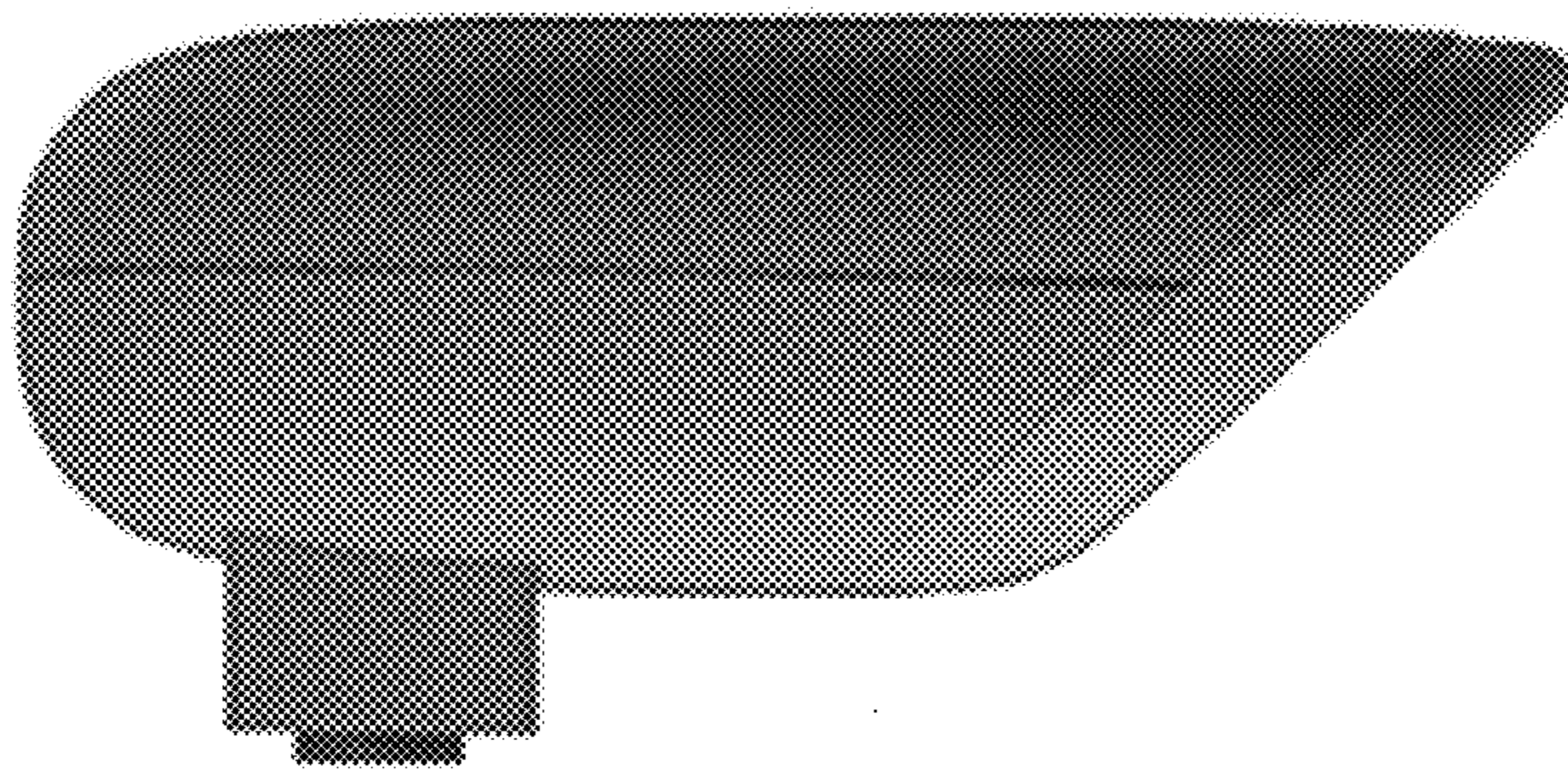


FIG.4

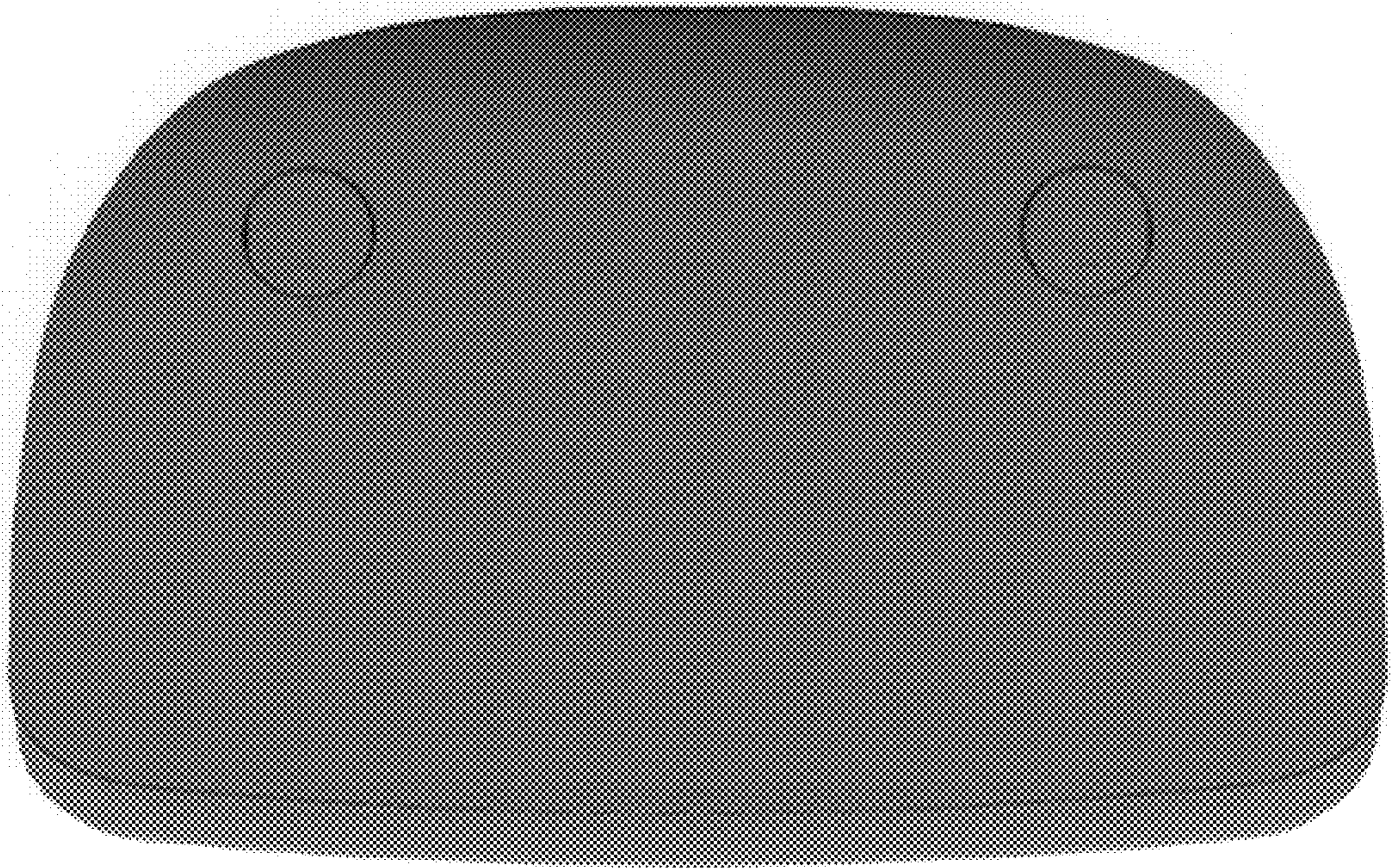


FIG. 5



FIG. 6