



US00D447580B1

(12) **United States Design Patent**
Kim

(10) **Patent No.:** **US D447,580 S**

(45) **Date of Patent:** **** Sep. 4, 2001**

(54) **LAMP**

(76) Inventor: **Jong-Whooi Kim**, 462-1 Amsa-dong,
Kangdong-ku, Seoul (KR)

(**) Term: **14 Years**

(21) Appl. No.: **29/135,644**

(22) Filed: **Jan. 17, 2001**

(51) **LOC (7) Cl.** **26-06**

(52) **U.S. Cl.** **D26/3**

(58) **Field of Search** D26/1, 2, 3, 4;
313/313, 318, 493; 315/53, 56, 57, 58;
362/318, 493

(56) **References Cited**

U.S. PATENT DOCUMENTS

D. 368,144 * 3/1996 Holzer D26/3

D. 384,173 * 9/1997 Godyak et al. D26/3

* cited by examiner

Primary Examiner—Marcus A. Jackson

(74) *Attorney, Agent, or Firm*—Rabin & Champagne, P.C.

(57) **CLAIM**

The ornamental design for a lamp, as shown and described.

DESCRIPTION

FIG. 1 is a front side perspective view of a lamp in accordance with my new design;

FIG. 2 is a front side elevational view of the lamp illustrated in FIG. 1;

FIG. 3 is a rear side elevational view of the lamp illustrated in FIGS. 1 and 2;

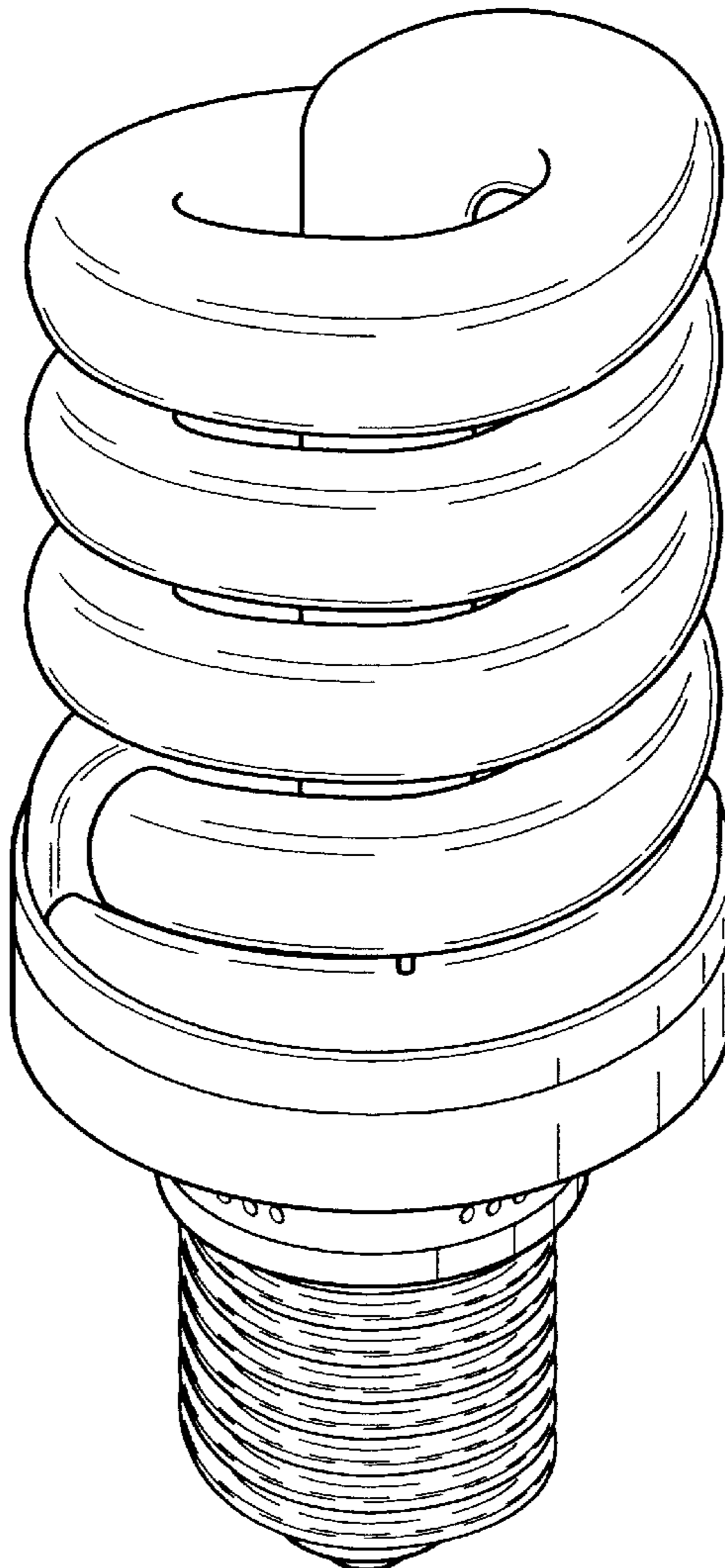
FIG. 4 is a left side elevational view of the lamp illustrated in FIGS. 1 to 3;

FIG. 5 is a right side elevational view of the lamp illustrated in FIGS. 1 to 4;

FIG. 6 is a top plan view of the lamp illustrated in FIGS. 1 to 5; and,

FIG. 7 is a bottom plan view of the lamp illustrated in FIGS. 1 to 6.

1 Claim, 4 Drawing Sheets



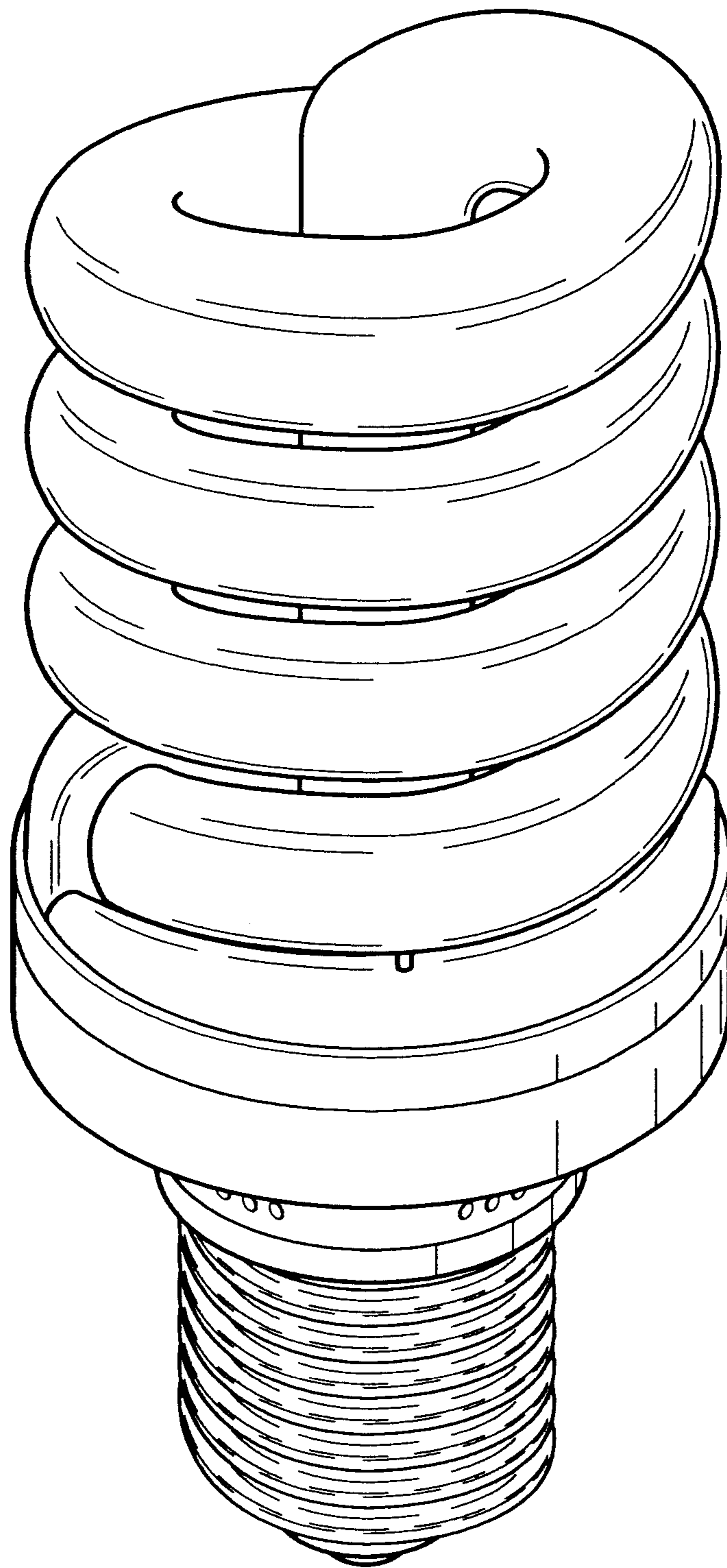


FIG. 1

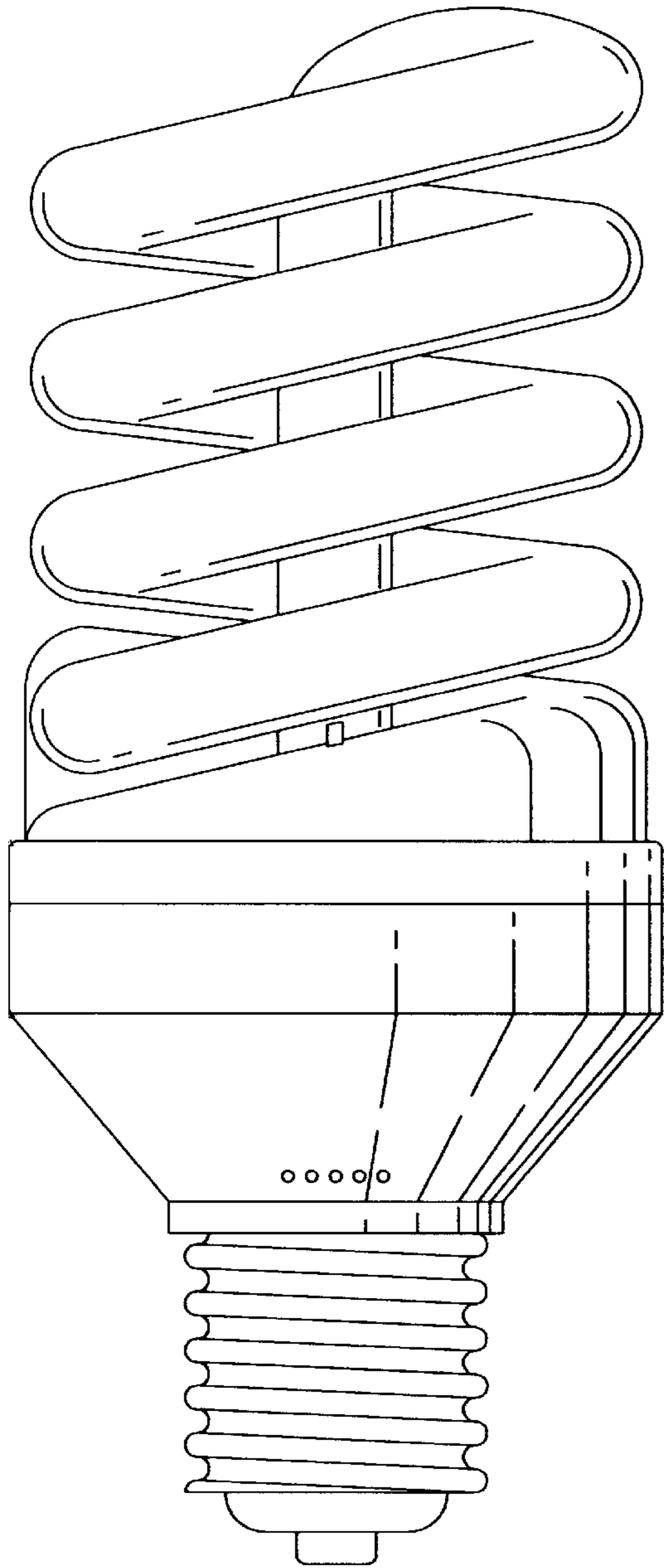


FIG. 2

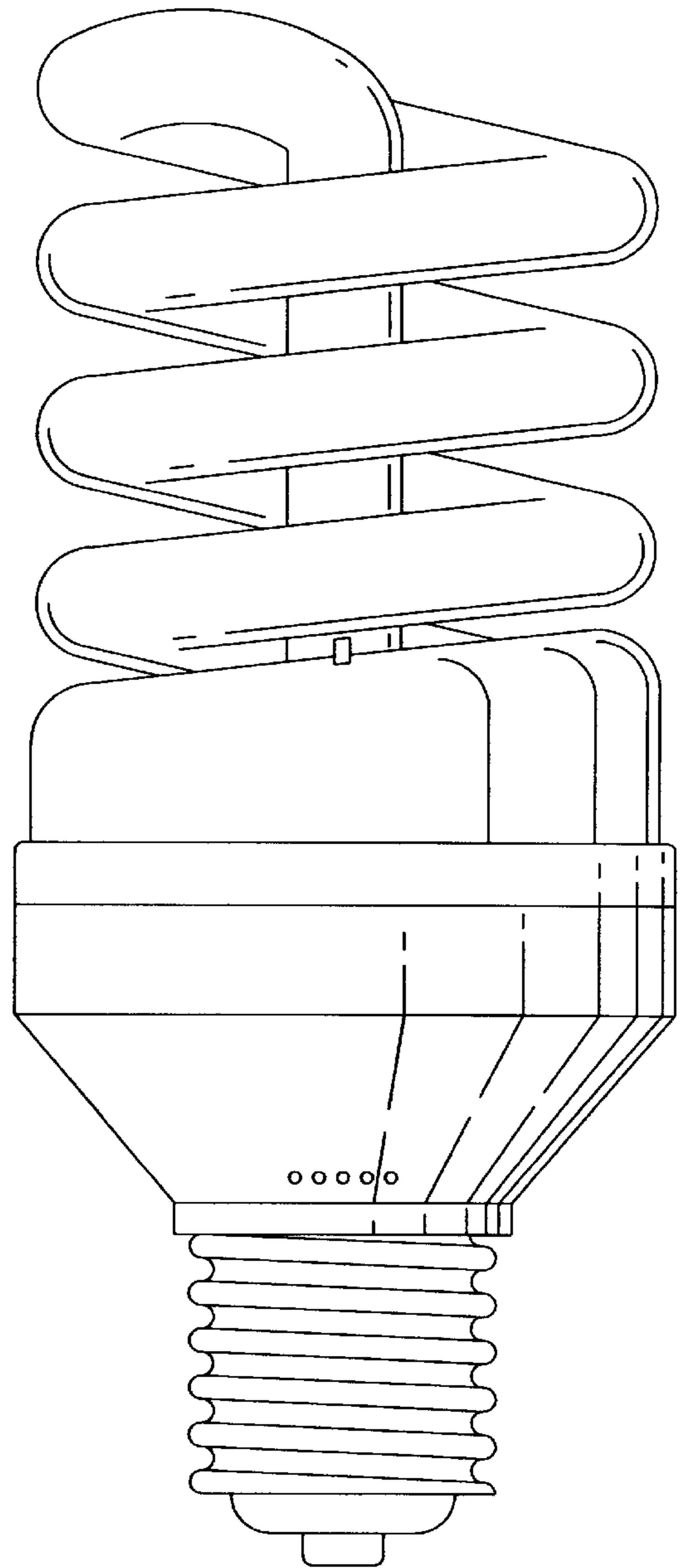


FIG. 3

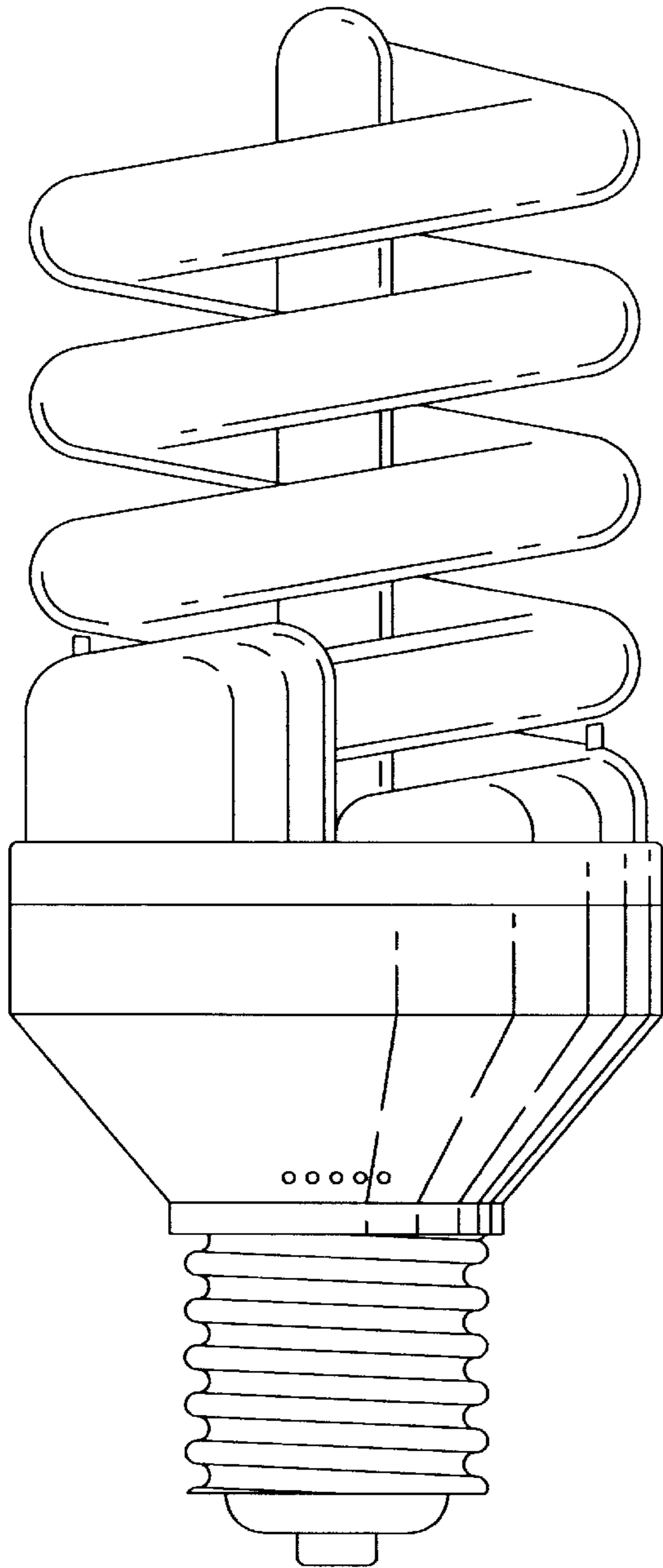


FIG. 4

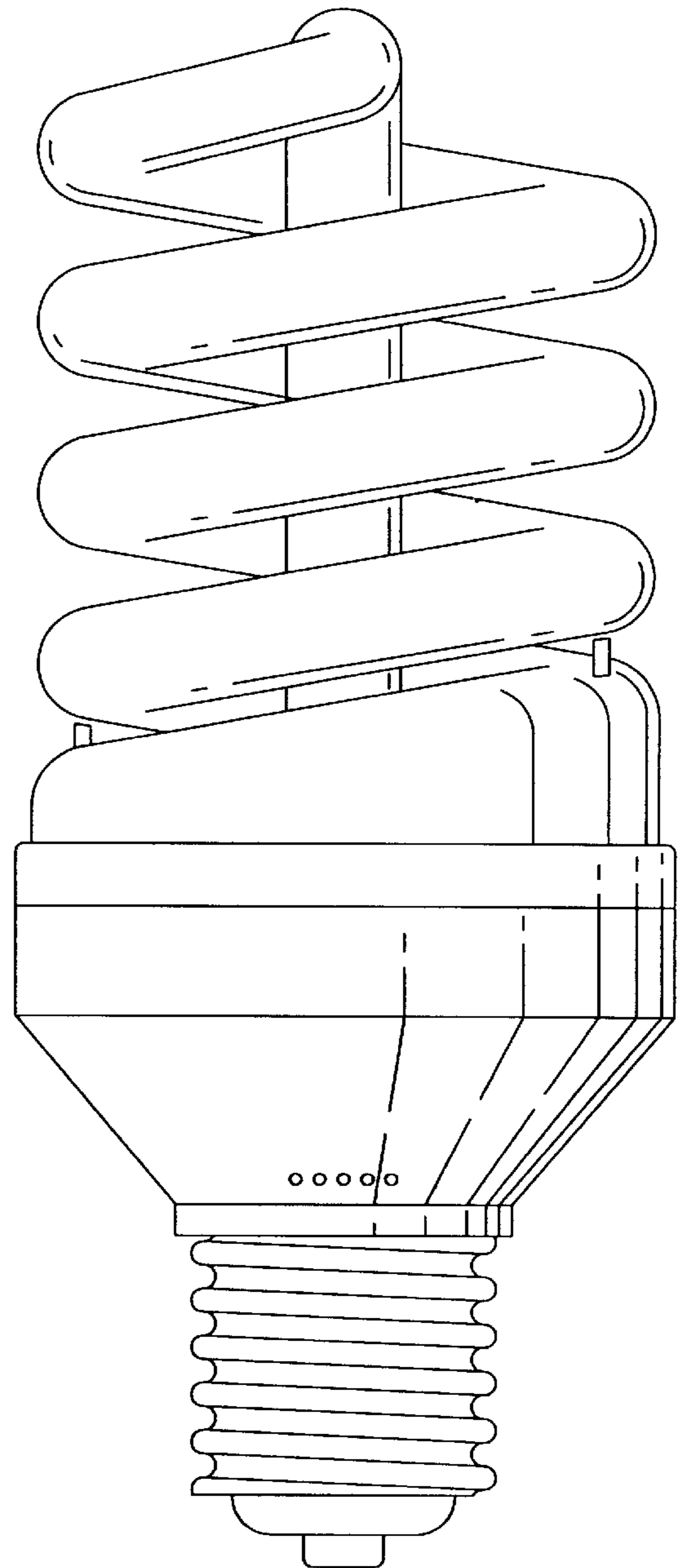


FIG. 5

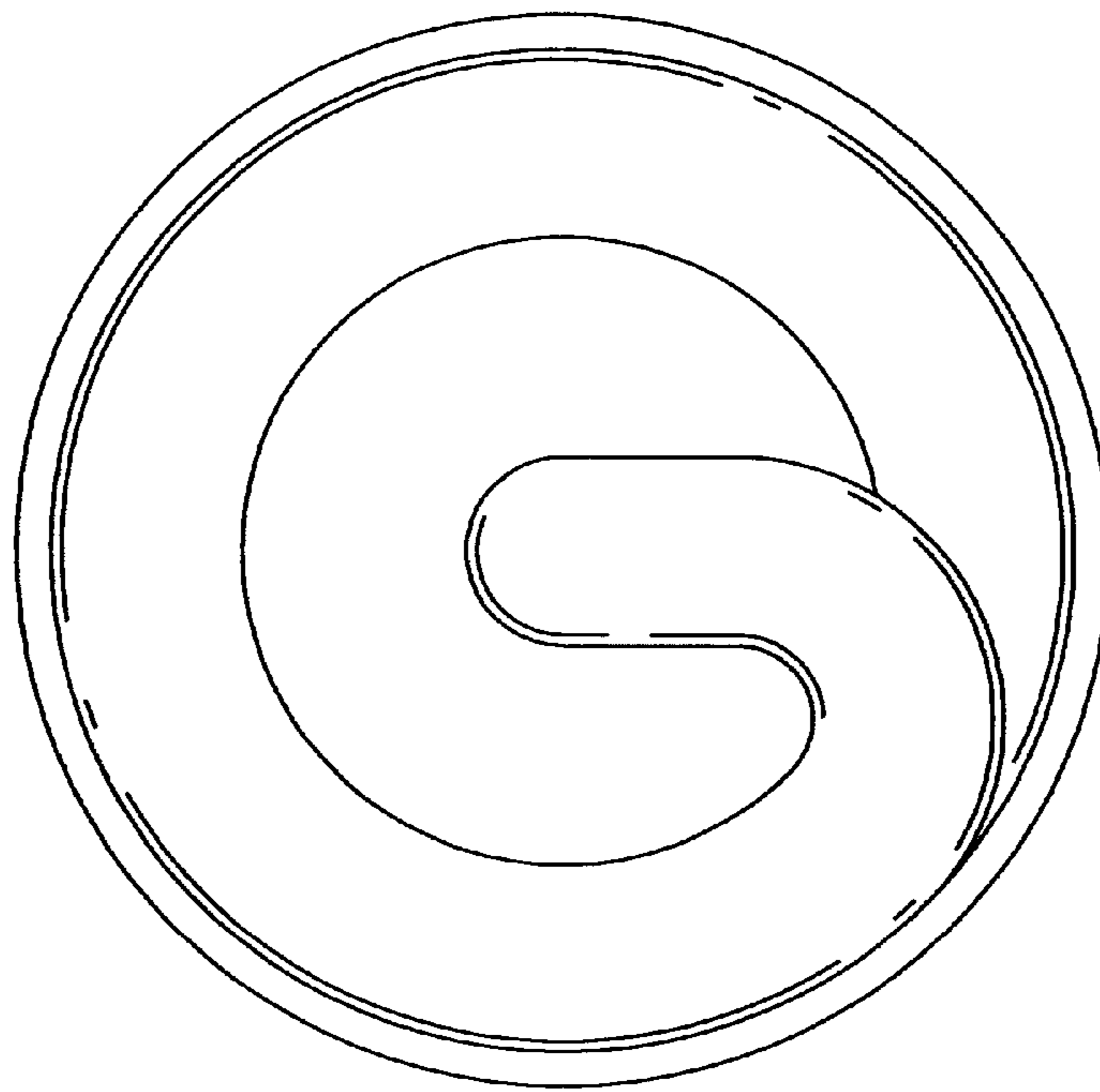


FIG. 6

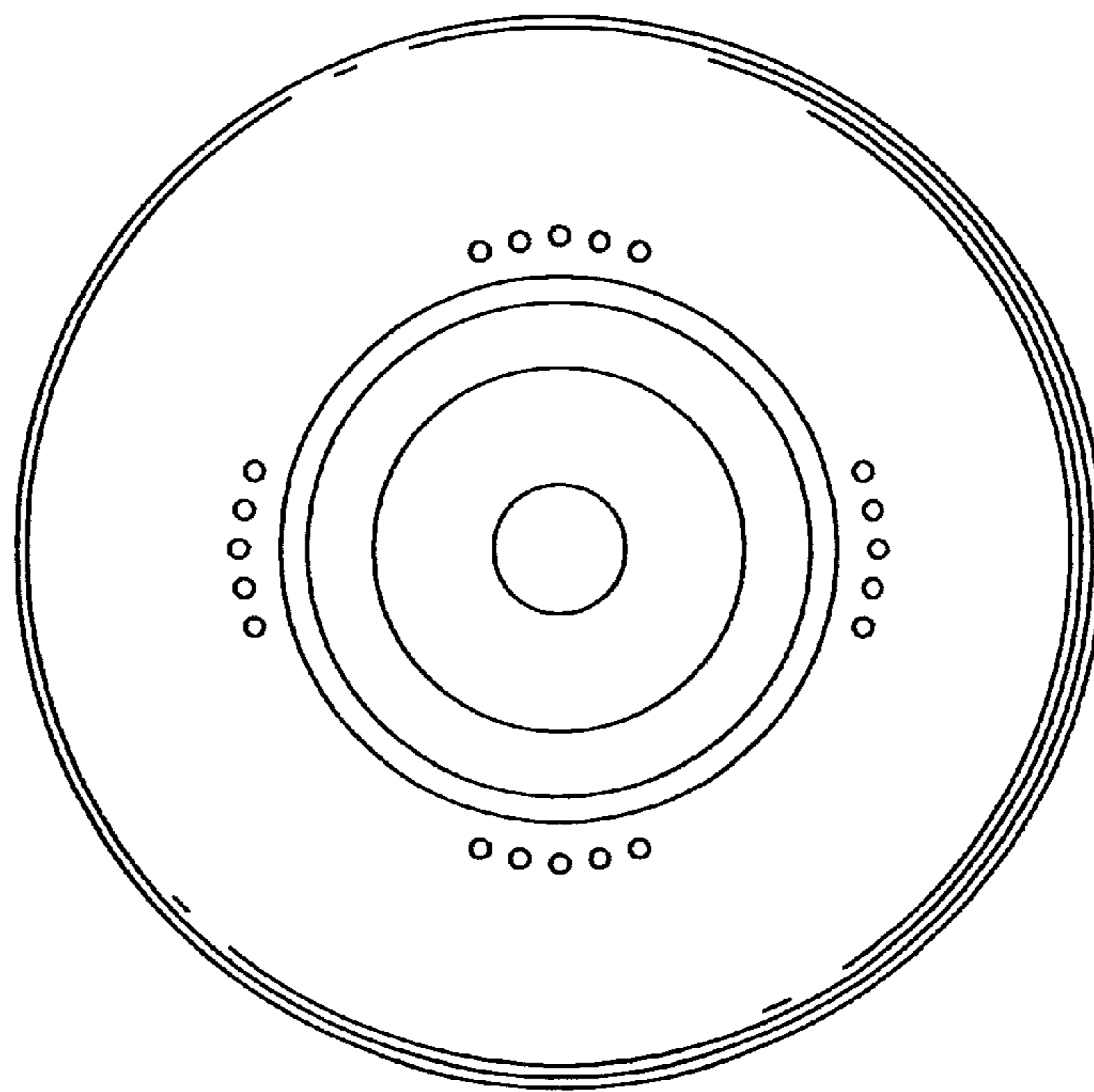


FIG. 7