



US00D447576B1

(12) **United States Design Patent**
Marshall et al.

(10) **Patent No.:** **US D447,576 S**

(45) **Date of Patent:** **** Sep. 4, 2001**

- (54) **WINDOW COMPONENT EXTRUSION**
- (75) Inventors: **Philip Marshall**, Pittsburgh; **Barry Gregory**, Sarver, both of PA (US)
- (73) Assignee: **Chelsea Building Products, Inc.**
- (**) Term: **14 Years**
- (21) Appl. No.: **29/129,772**
- (22) Filed: **Sep. 21, 2000**
- (51) **LOC (7) Cl.** **25-01**
- (52) **U.S. Cl.** **D25/124**
- (58) **Field of Search** D25/119–125,
D25/60, 52; 52/204.5, 204.56, 204.51, 730.3,
204.1, 210, 204.63, 204.55, 214, 204.61,
656.6, 730.4, 730.5; 49/DIG. 2, 504, 505

- D. 406,655 3/1999 Morton et al. .
- D. 406,656 3/1999 Stammen .
- D. 406,657 3/1999 Morton et al. .
- D. 406,658 3/1999 Chaney et al. .
- D. 406,659 3/1999 Chaney et al. .
- D. 406,660 3/1999 Morton et al. .
- D. 406,661 3/1999 Morton et al. .
- D. 406,662 3/1999 Morton et al. .
- D. 406,663 3/1999 Morton et al. .
- D. 407,505 * 3/1999 Hersh et al. D25/124
- D. 417,510 12/1999 Tyra .
- D. 417,511 12/1999 Tyra .
- D. 418,925 1/2000 Franson .
- D. 420,151 2/2000 Franson .
- D. 424,712 5/2000 Siudzinski .
- 4,831,781 5/1989 Morton .
- 4,941,288 7/1990 Morton .
- 5,136,814 8/1992 Headrick .
- 5,273,258 12/1993 Bedics .
- 5,426,894 6/1995 Headrick .
- 5,524,391 6/1996 Joffe et al. .
- 6,055,782 5/2000 Morton et al. .

(56) **References Cited**

U.S. PATENT DOCUMENTS

- D. 333,876 3/1993 Cole .
- D. 333,877 3/1993 Cole .
- D. 342,796 12/1993 Cole .
- D. 342,797 12/1993 Cole .
- D. 343,463 1/1994 Cole .
- D. 345,019 3/1994 Cole .
- D. 351,666 10/1994 Cole .
- D. 354,573 1/1995 Hosseini .
- D. 366,320 1/1996 Hosseini .
- D. 384,170 9/1997 Franson .
- D. 388,188 12/1997 Goss .
- D. 388,521 12/1997 Porter et al. .
- D. 388,890 1/1998 Lockbeam .
- D. 392,395 3/1998 Porter et al. .
- D. 394,117 5/1998 Goss .
- D. 394,119 * 5/1998 Jarrell D25/124
- D. 394,120 5/1998 Goss .
- D. 401,359 11/1998 Porter et al. .
- D. 406,653 3/1999 Morton et al. .
- D. 406,654 3/1999 Morton et al. .

* cited by examiner

Primary Examiner—Doris Clark

(74) *Attorney, Agent, or Firm*—Buchanan Ingersoll, P.C.

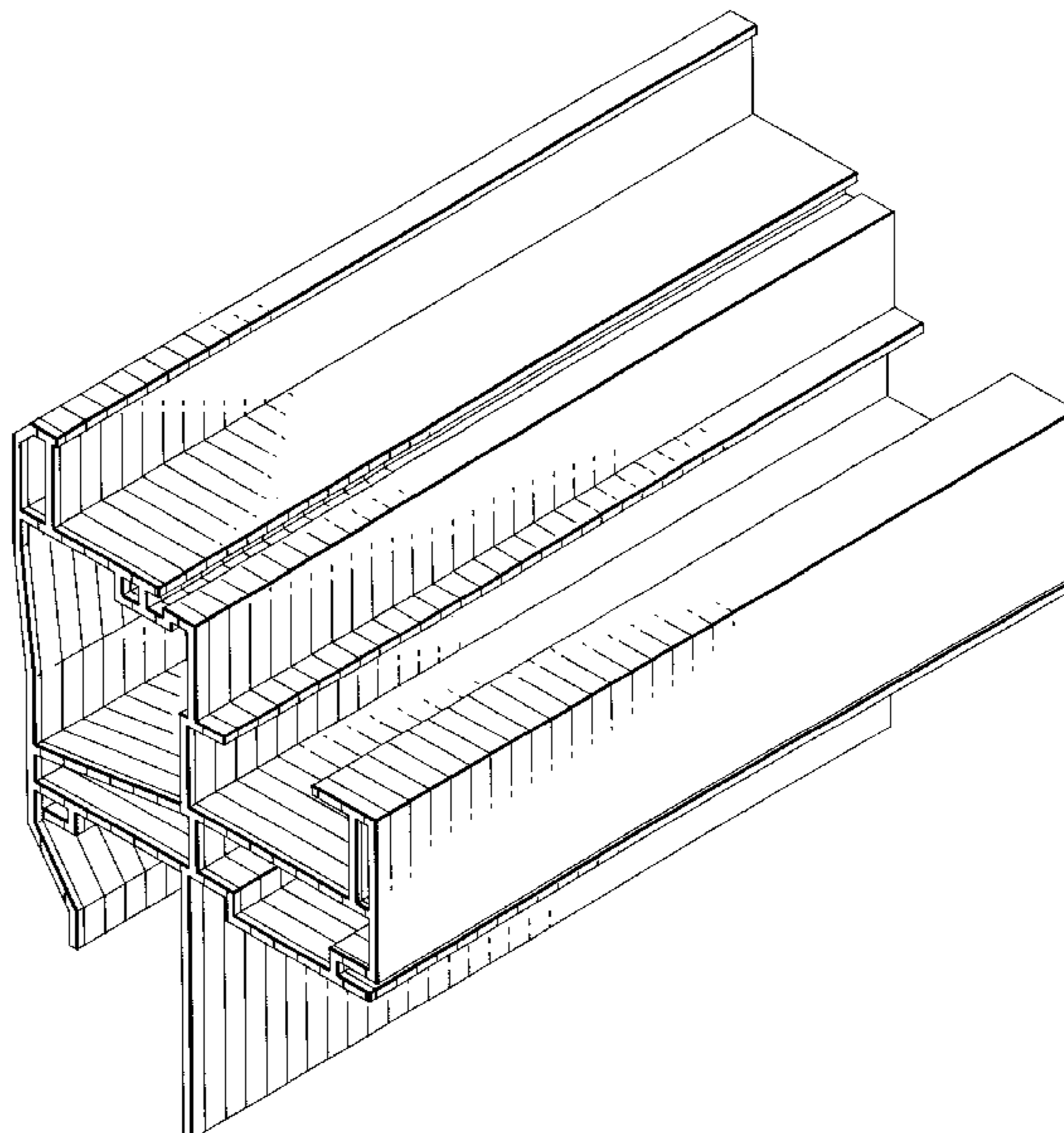
(57) **CLAIM**

The ornamental design for a window component extrusion, as shown and described.

DESCRIPTION

FIG. 1 is a perspective view of a window component extrusion showing our new design; FIG. 2 is a front elevational view thereof; FIG. 3 is a rear elevational view thereof; FIG. 4 is a right side elevational view thereof; FIG. 5 is a top plan view thereof; and, FIG. 6 is a bottom plan view thereof.

1 Claim, 3 Drawing Sheets



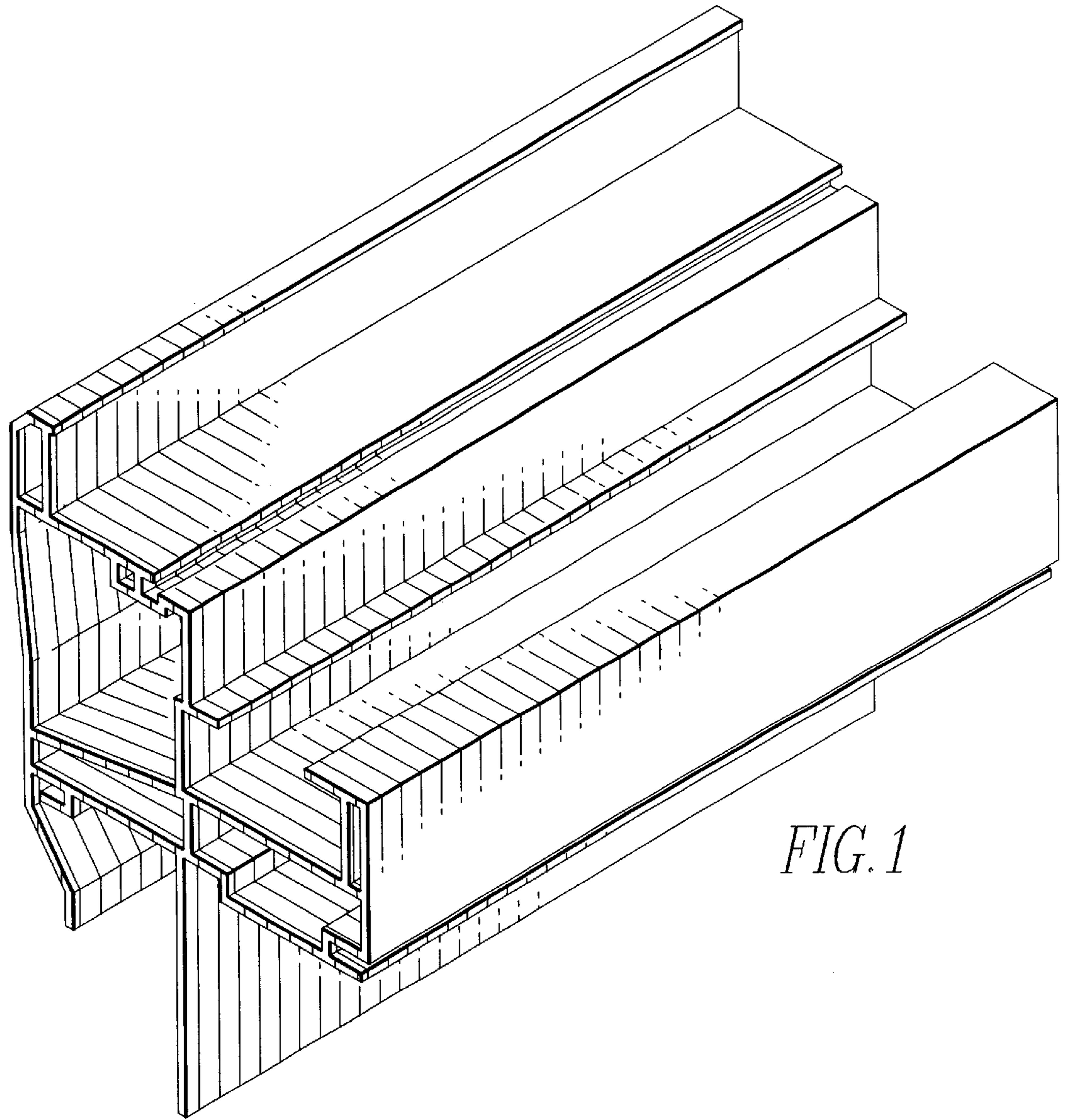


FIG. 1

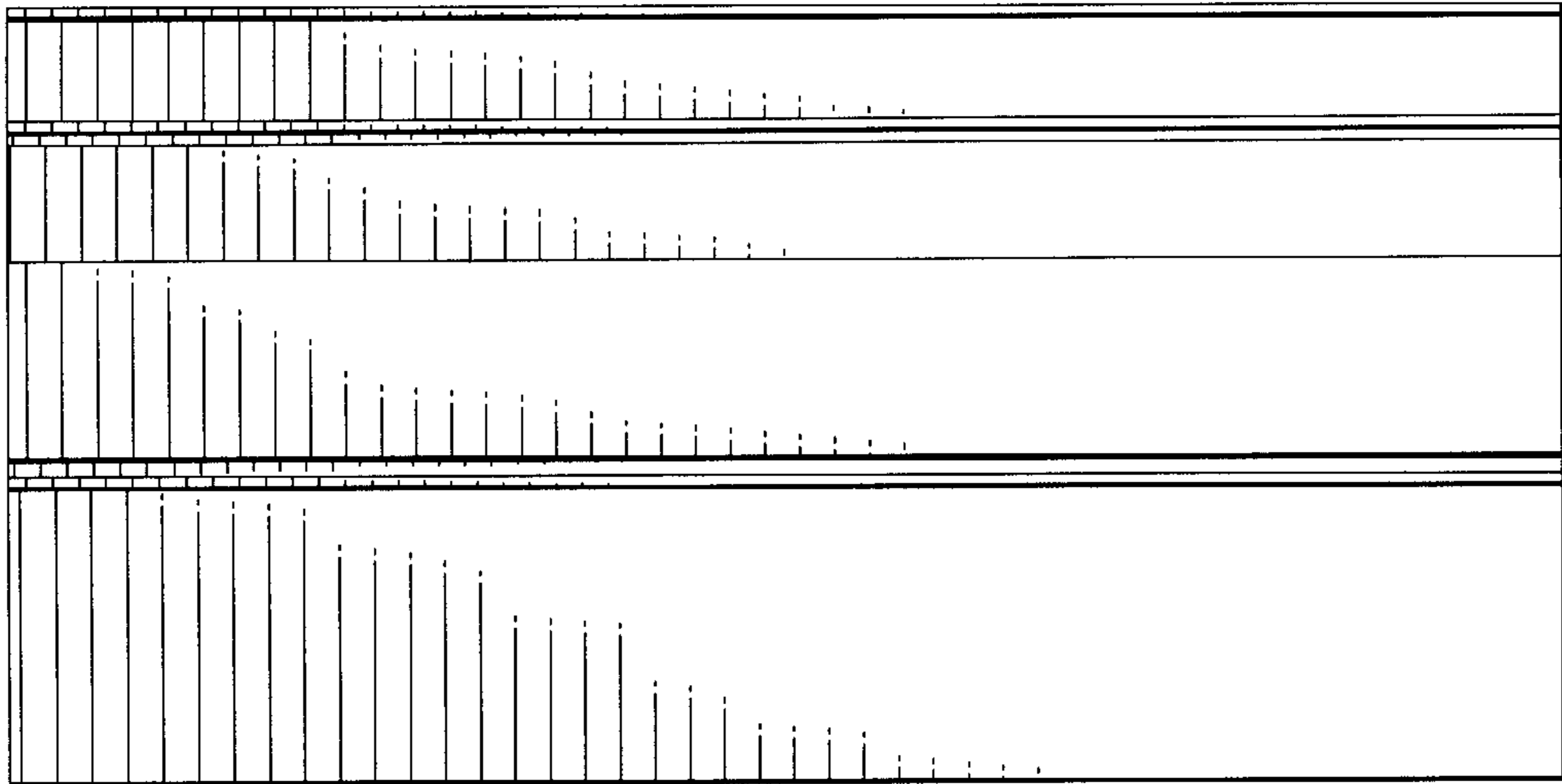


FIG. 2

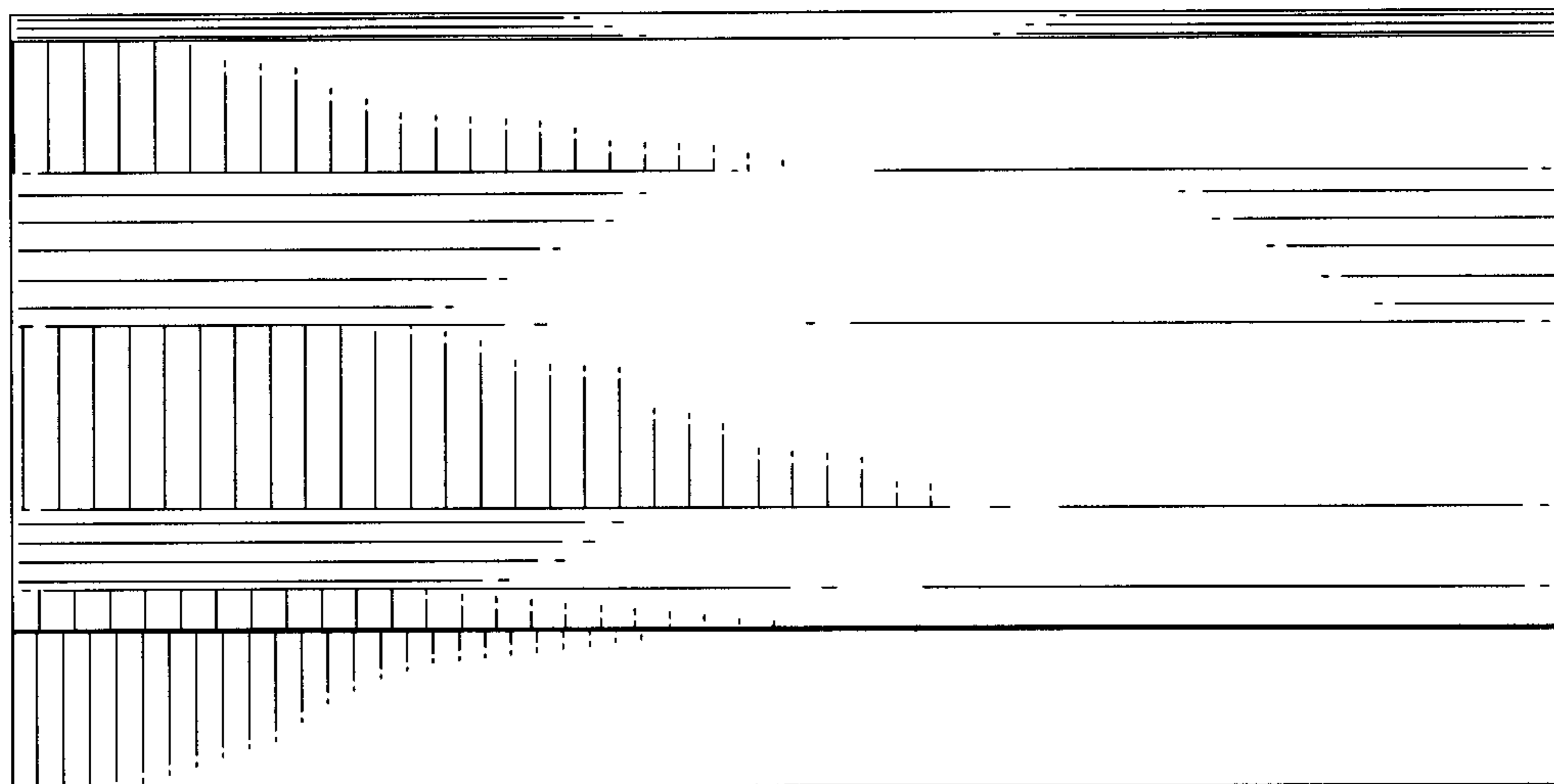


FIG. 3

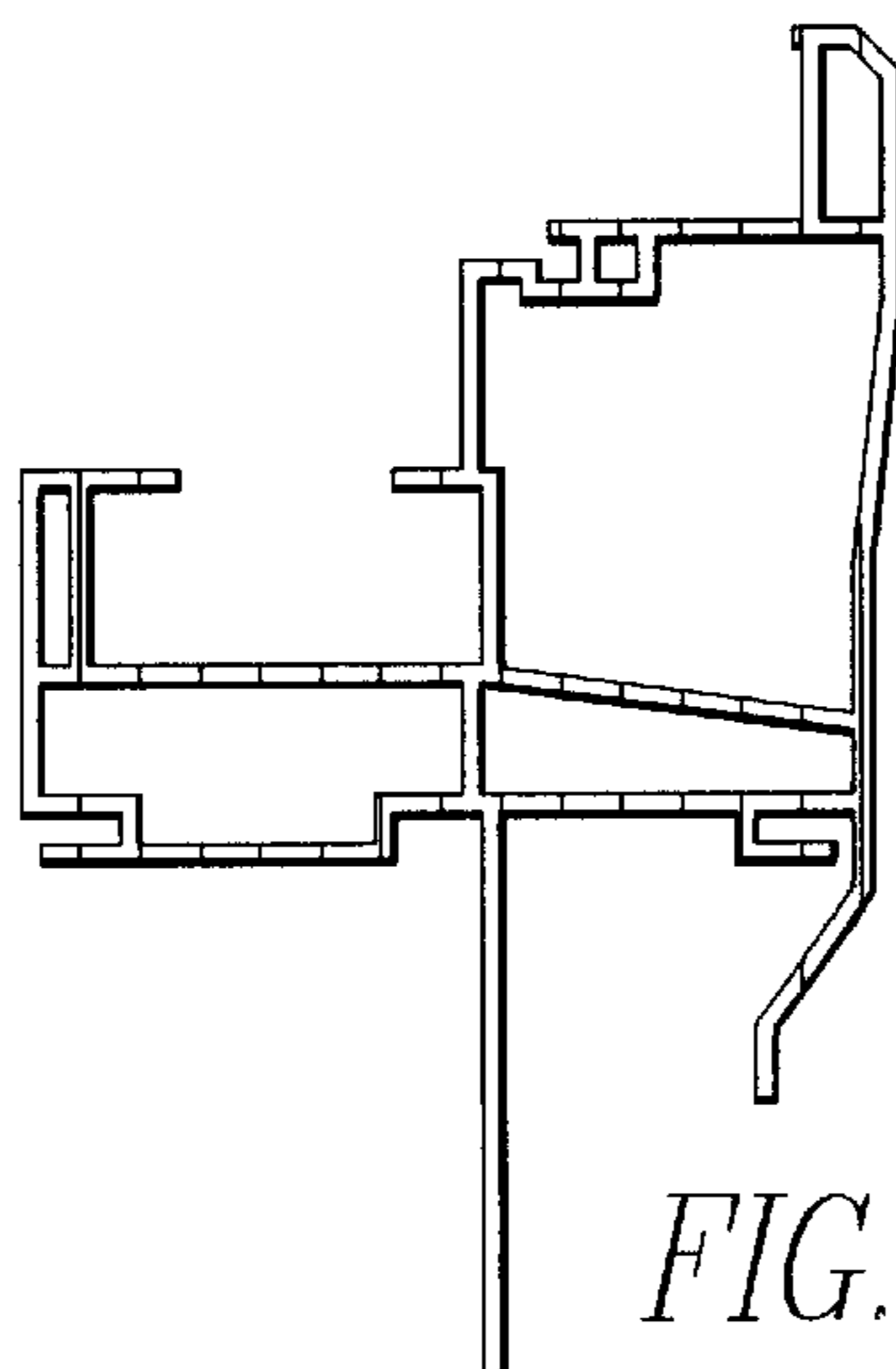


FIG. 4

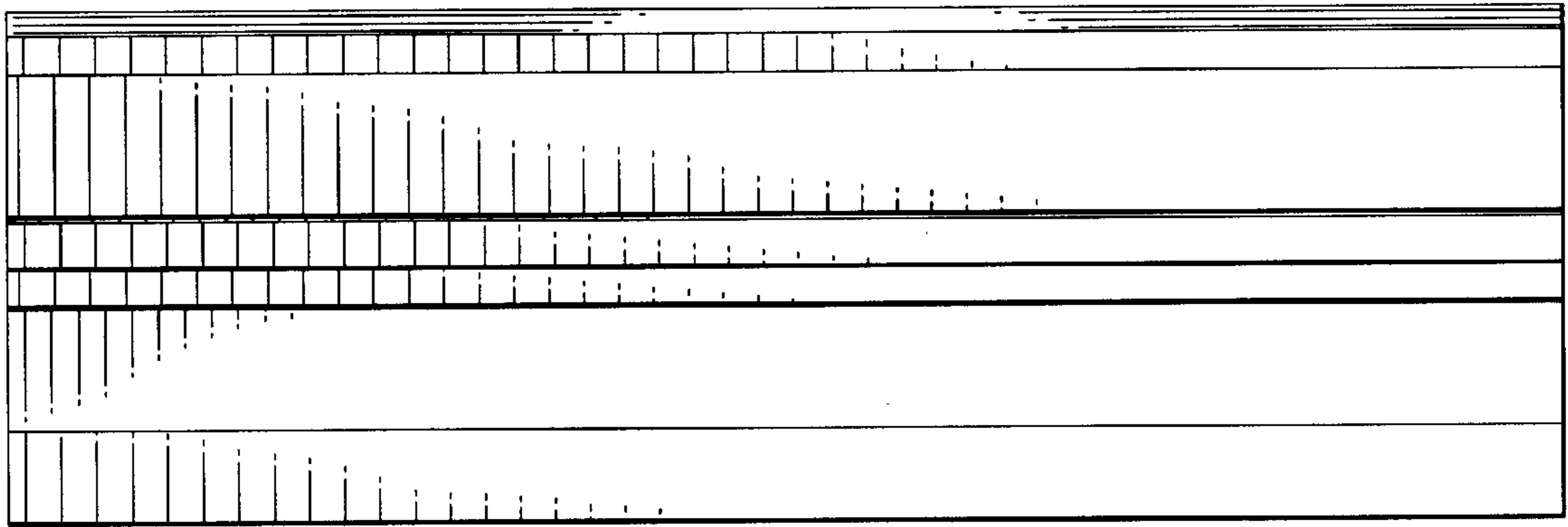


FIG. 5

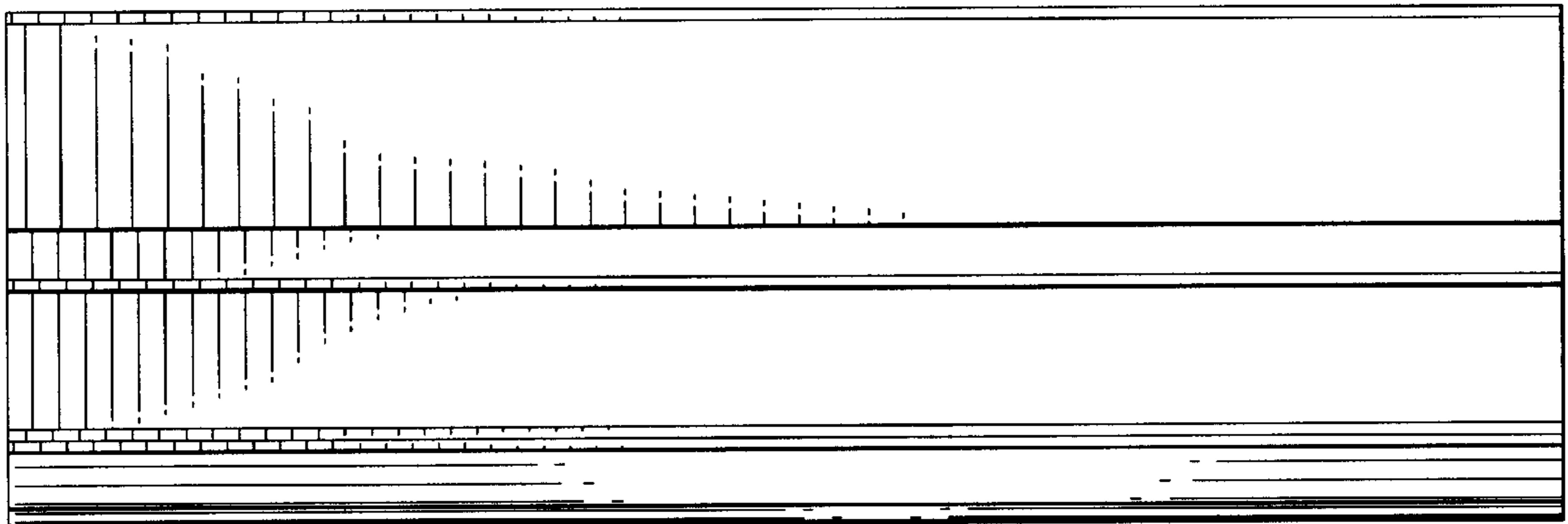


FIG. 6