



US00D447575B1

(12) **United States Design Patent**
Shaw

(10) **Patent No.:** **US D447,575 S**

(45) **Date of Patent:** **** Sep. 4, 2001**

(54) **WATER-REPELLENT JOIST FLASHING**

(76) Inventor: **Michael L. Shaw**, 3174 Byng Road,
Windsor, Ontario (CA), N8W 3G9

(**) Term: **14 Years**

(21) Appl. No.: **29/061,288**

(22) Filed: **Oct. 21, 1996**

(51) **LOC (7) Cl.** **25-01**

(52) **U.S. Cl.** **D25/121**

(58) **Field of Search** D25/121, 119;
52/737.5

(56) **References Cited**

U.S. PATENT DOCUMENTS

- 428,291 * 5/1890 Stuart D25/121
- 5,280,692 * 1/1994 Patey 52/716.2
- 5,479,750 * 1/1996 Carlberg 52/737.5

OTHER PUBLICATIONS

Dahlstrom Metal Mouldings and Shapes book, dated Mar. 10, 1967, section 1, p. 25, third row from bottom of page, second channel from left side labeled 1604.*

* cited by examiner

Primary Examiner—Louis S. Zarfaz
Assistant Examiner—Robert A. Delehanty

(57) **CLAIM**

The ornamental design for a water-repellent joist flashing, as shown and described.

DESCRIPTION

FIG. 1 is a front elevational view of the water-repellent joist flashing showing my new design;

In FIG. 2, the dotted line showing of a joist is for illustrative purposes only and forms no part of the claimed design.

FIG. 2 is a rear elevational view thereof;

In FIGS. 3 through 7, the jagged line showing denotes indeterminate length.

FIG. 3 is a right side elevational view thereof;

FIG. 4 is a left side elevational view thereof;

FIG. 5 is a top plan view thereof;

FIG. 6 is a bottom plan view thereof; and,

FIG. 7 is an isometric view thereof.

1 Claim, 3 Drawing Sheets

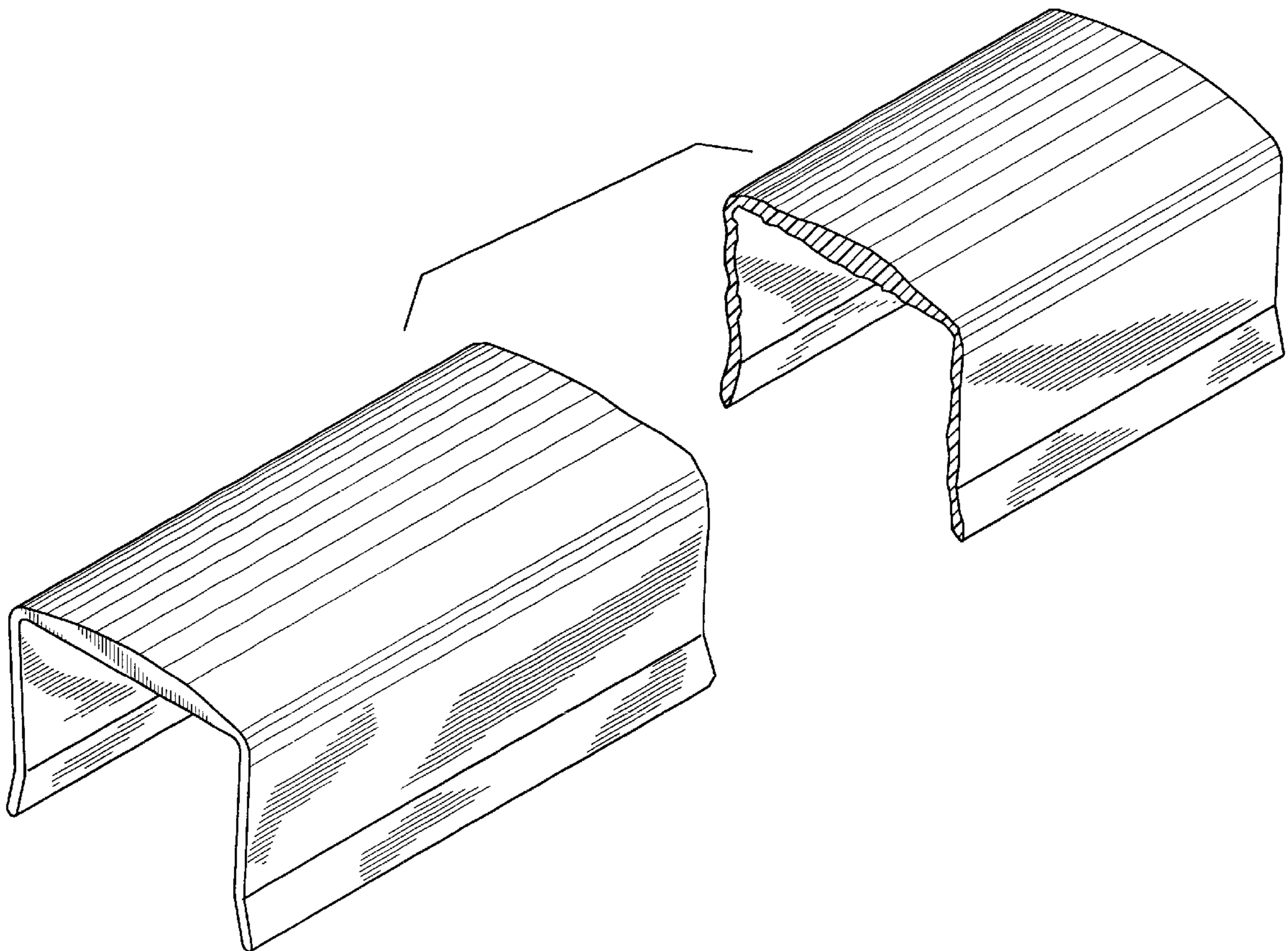


FIG. 1

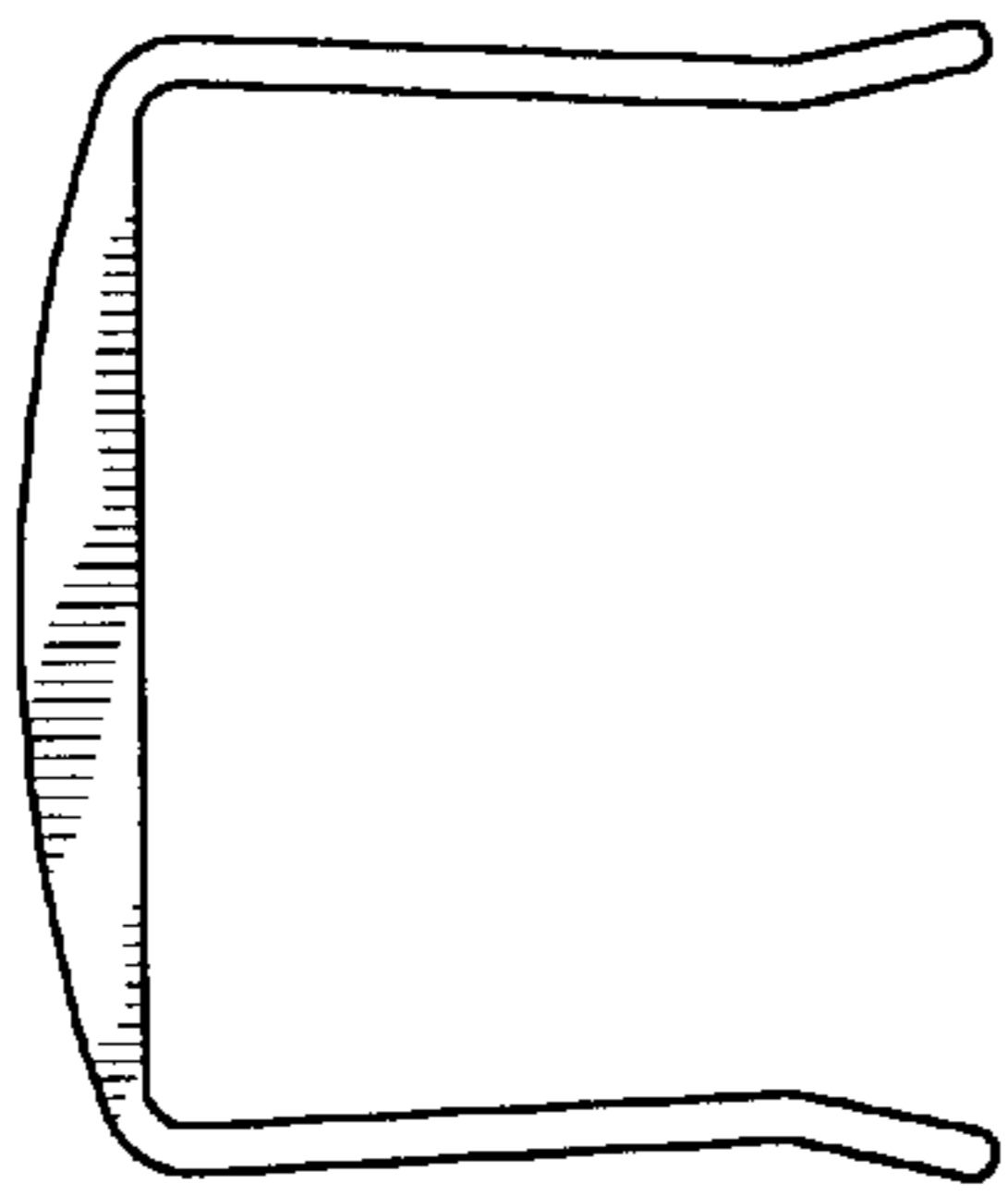


FIG. 3

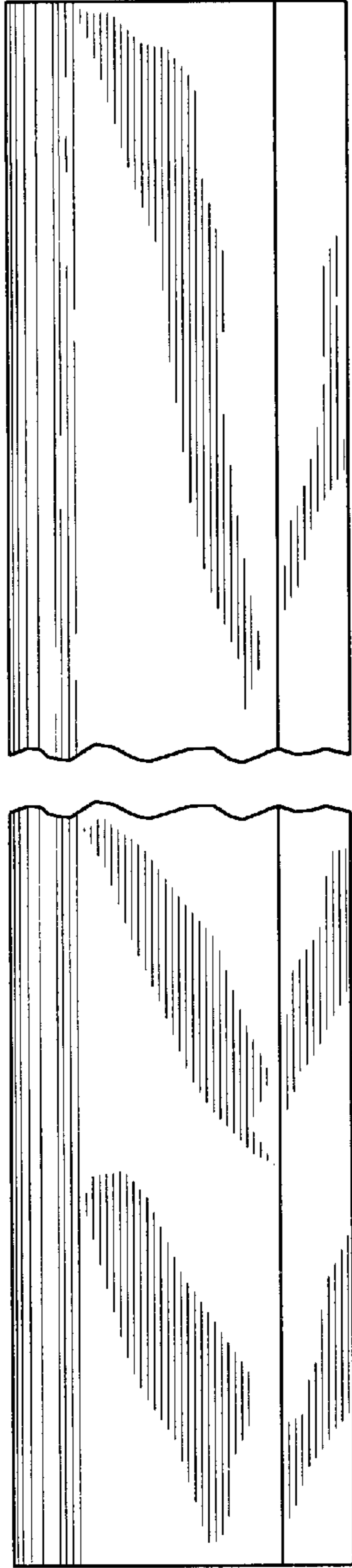


FIG. 2

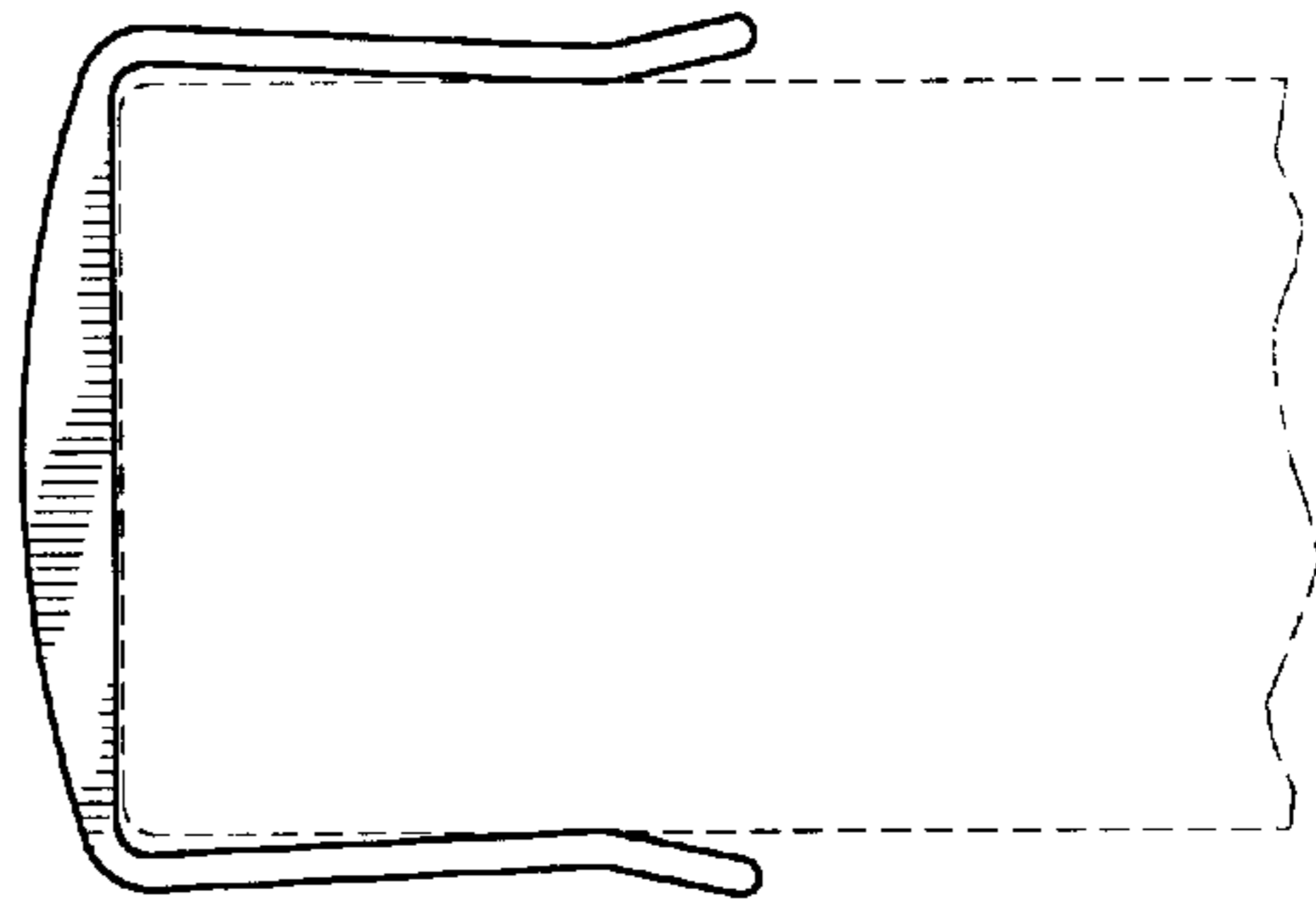


FIG. 4

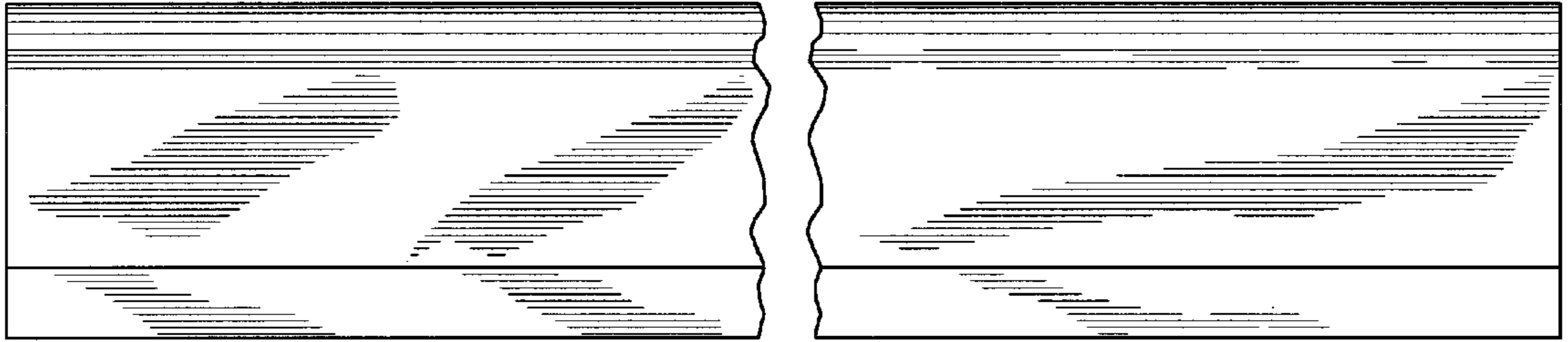


FIG. 5

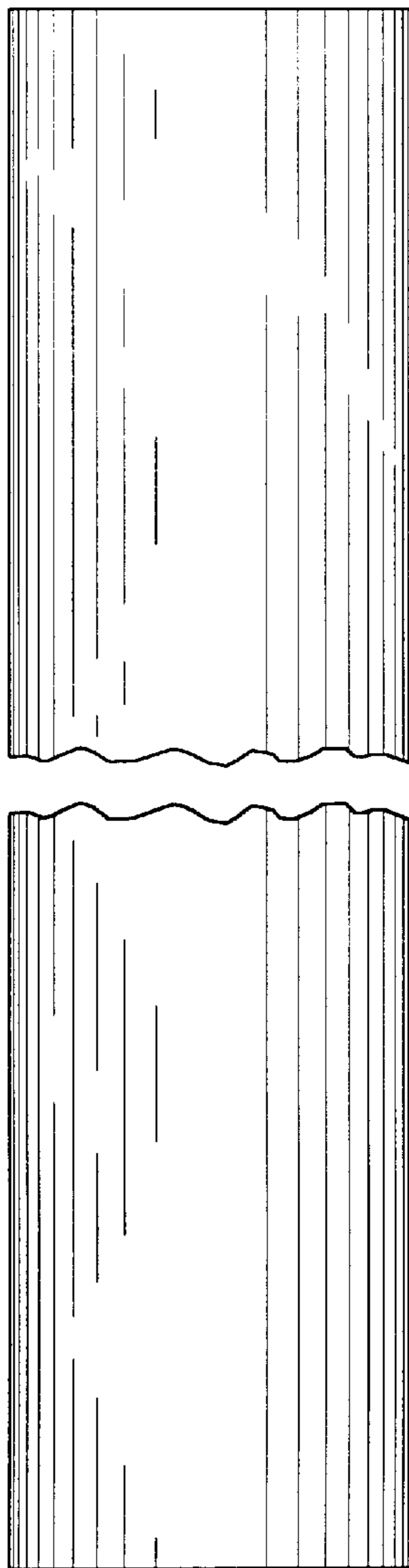
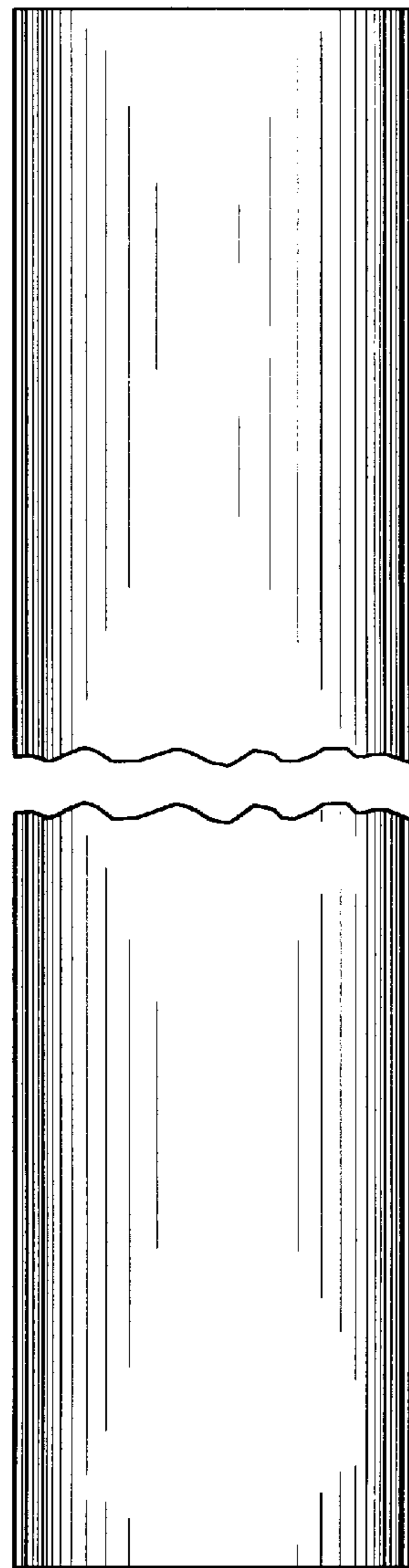


FIG. 6



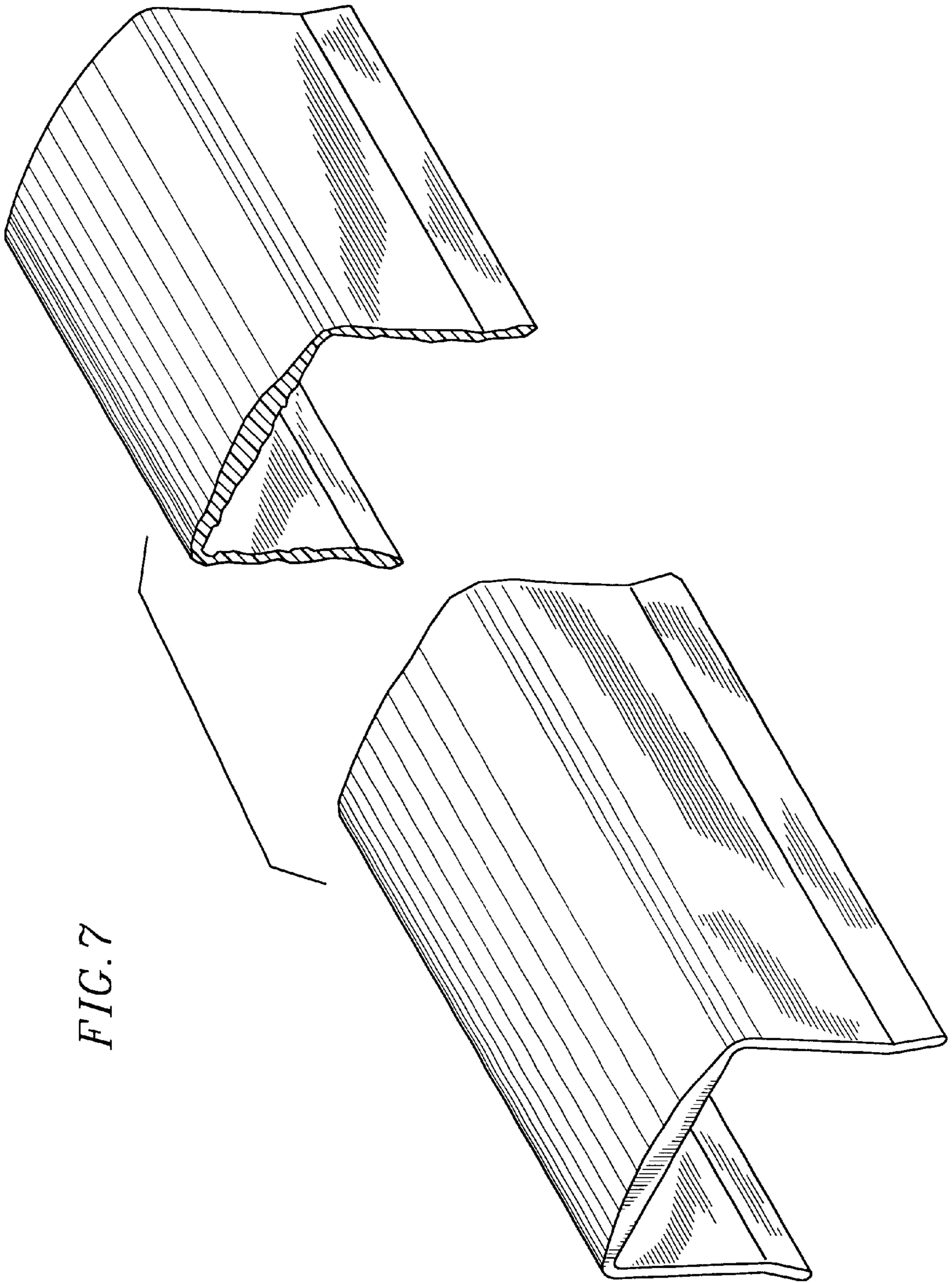


FIG. 7