



US00D447574B1

(12) **United States Design Patent**
Fening

(10) **Patent No.:** **US D447,574 S**

(45) **Date of Patent:** **** Sep. 4, 2001**

(54) **DOOR THRESHOLD**

5,611,173 * 3/1997 Headrick et al. 49/467

(75) Inventor: **Thomas R. Fening**, Hamilton, OH
(US)

* cited by examiner

Primary Examiner—Doris Clark

(73) Assignee: **Imperial Products, Inc.**, Richmond, IN
(US)

(74) *Attorney, Agent, or Firm*—Jacox, Meckstroth &
Jenkins

(**) Term: **14 Years**

(57) **CLAIM**

The ornamental design of a door threshold, as shown and described.

(21) Appl. No.: **29/131,808**

(22) Filed: **Oct. 30, 2000**

DESCRIPTION

(51) **LOC (7) Cl.** **25-01**

FIG. 1 is a perspective view of a door threshold showing my new design, with a center portion broken away to disclose indefinite length;

(52) **U.S. Cl.** **D25/119**

FIG. 2 is an end view thereof, the opposite end view being a mirror image;

(58) **Field of Search** 49/467, 468, 469,
49/411; D25/199, 119

FIG. 3 is a front view thereof; and

(56) **References Cited**

U.S. PATENT DOCUMENTS

FIG. 4 is a top view thereof;

FIG. 5 is a rear view thereof; and,

FIG. 6 is a bottom view thereof.

D. 340,534 * 10/1993 McConnell et al. D25/119
5,012,614 5/1991 Shea .

1 Claim, 2 Drawing Sheets

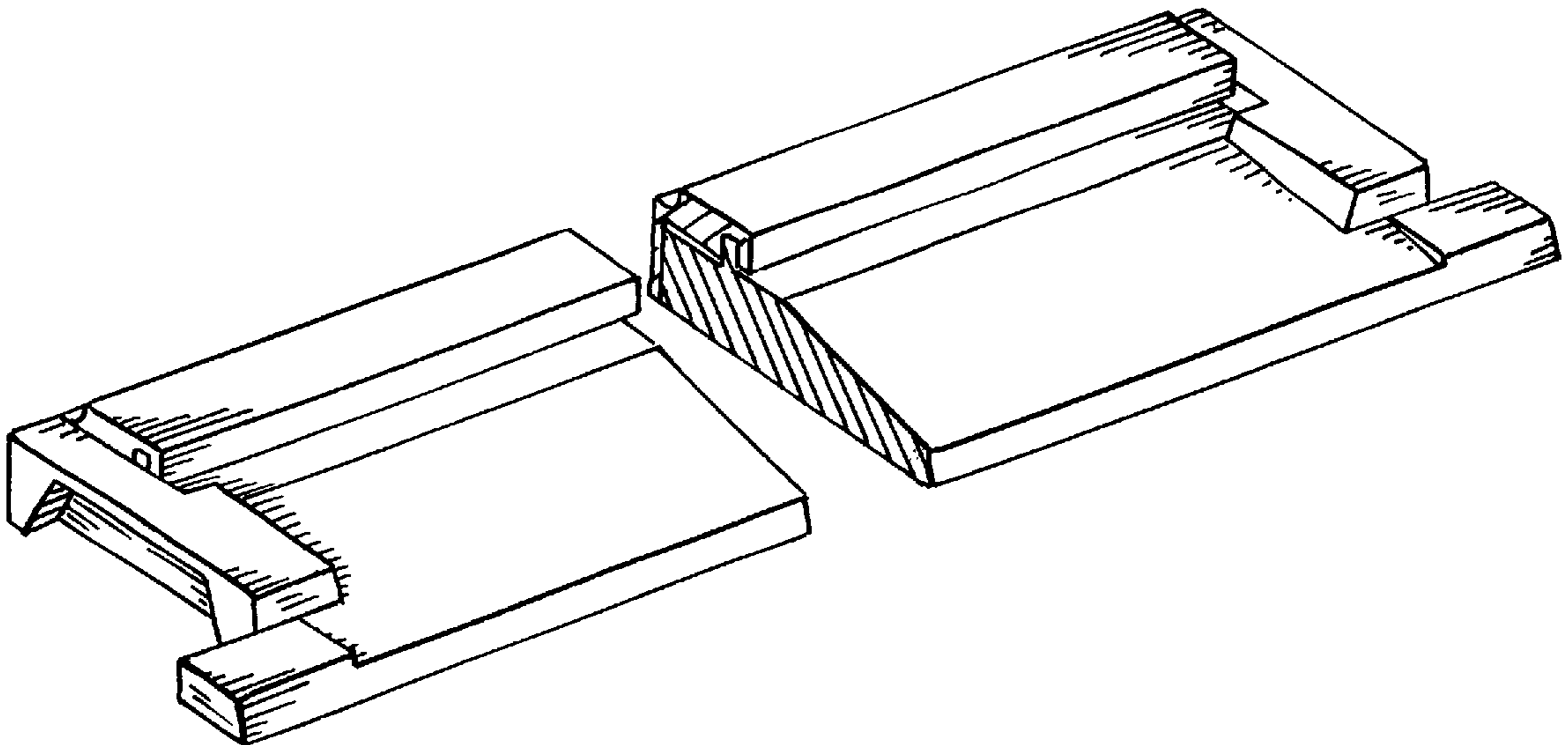


FIG-1

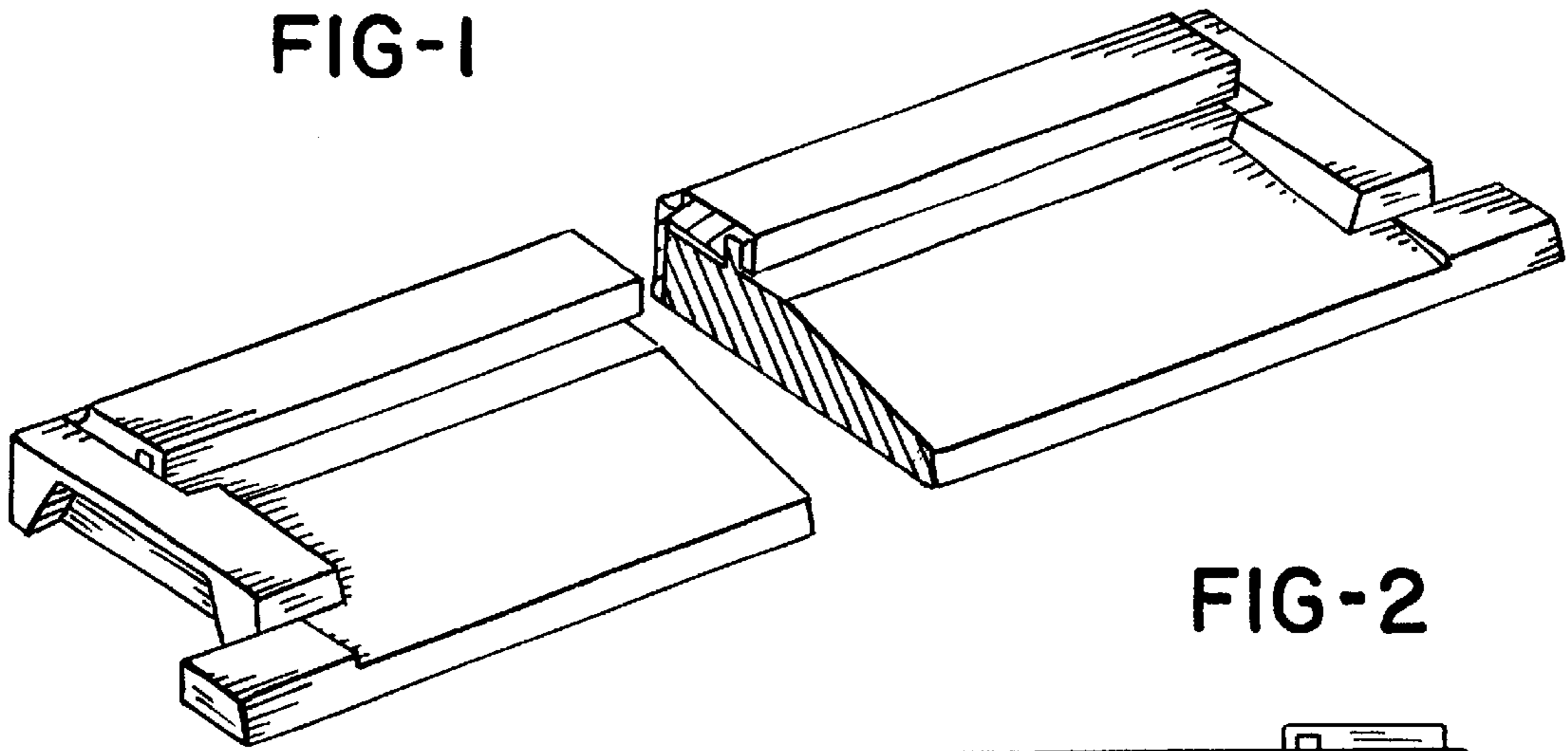


FIG-2

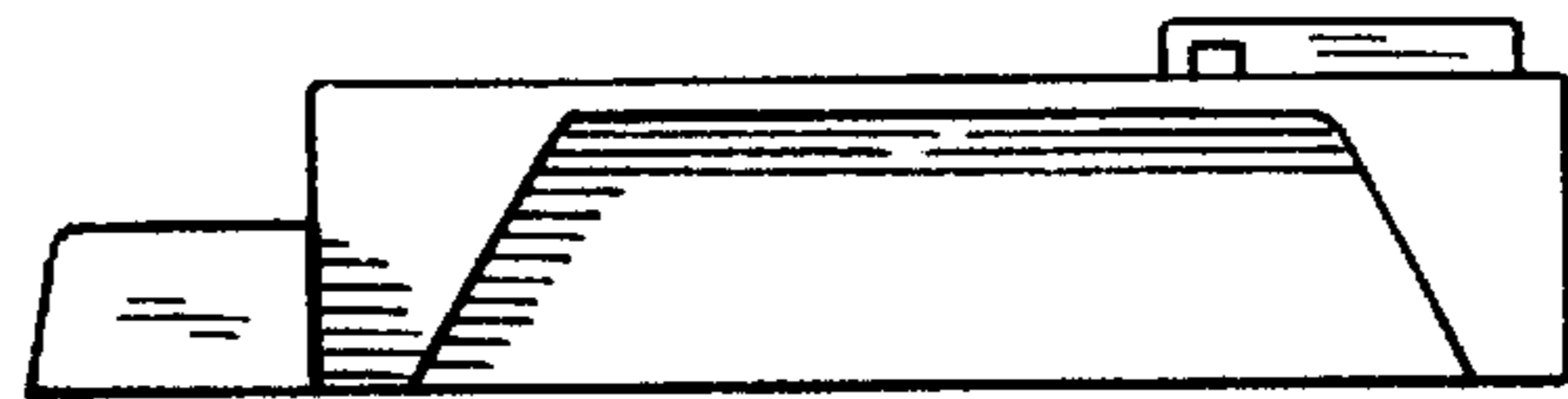


FIG-3

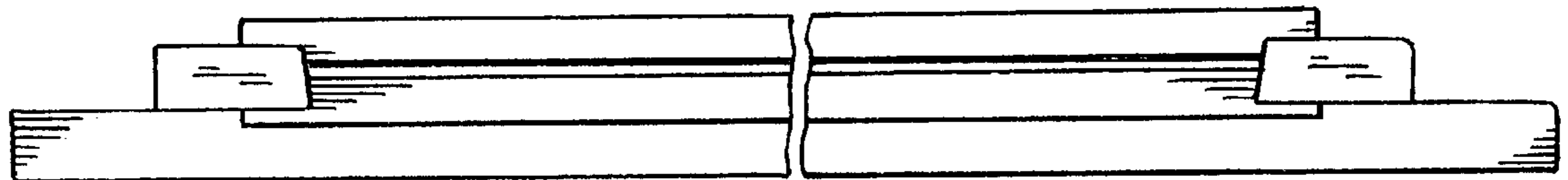


FIG-4

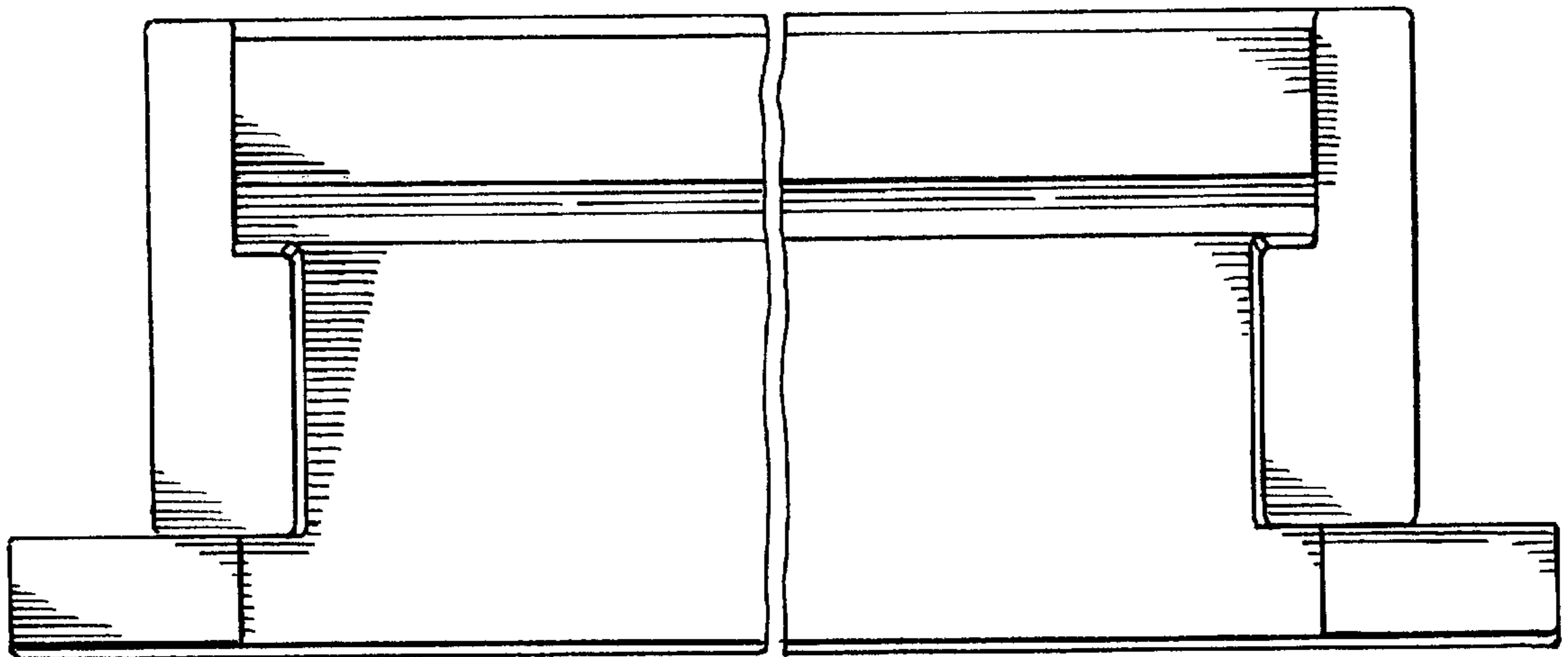


FIG-5



FIG-6

