



US00D447572B1

(12) **United States Design Patent**
Rosko

(10) **Patent No.:** **US D447,572 S**

(45) **Date of Patent:** **** Sep. 4, 2001**

(54) **STEP STOOL**

D. 236,244 * 8/1975 Lay D25/65

(75) Inventor: **M. Scot Rosko**, Greenwood, IN (US)

* cited by examiner

(73) Assignee: **Cosco Management, Inc.**, Wilmington, DE (US)

Primary Examiner—Doris Clark

(74) *Attorney, Agent, or Firm*—Barnes & Thornburg

(**) Term: **14 Years**

(57) **CLAIM**

The ornamental design for a step stool, as shown and described.

(21) Appl. No.: **29/135,276**

(22) Filed: **Jan. 9, 2001**

DESCRIPTION

(51) **LOC (7) Cl.** **25-04**

FIG. 1 is a perspective view of a step stool showing my new design;

(52) **U.S. Cl.** **D25/65**

FIG. 2 is a front elevational view thereof;

(58) **Field of Search** D25/64, 65; 182/152, 182/155, 156, 163, 179, 180, 20-26

FIG. 3 is a right-side elevational view thereof;

FIG. 4 is a rear elevational view thereof;

FIG. 5 is a left-side elevational view thereof;

FIG. 6 is a top view thereof; and,

FIG. 7 is a bottom view thereof.

(56) **References Cited**

U.S. PATENT DOCUMENTS

D. 189,419 * 12/1960 Bair D25/64

1 Claim, 3 Drawing Sheets



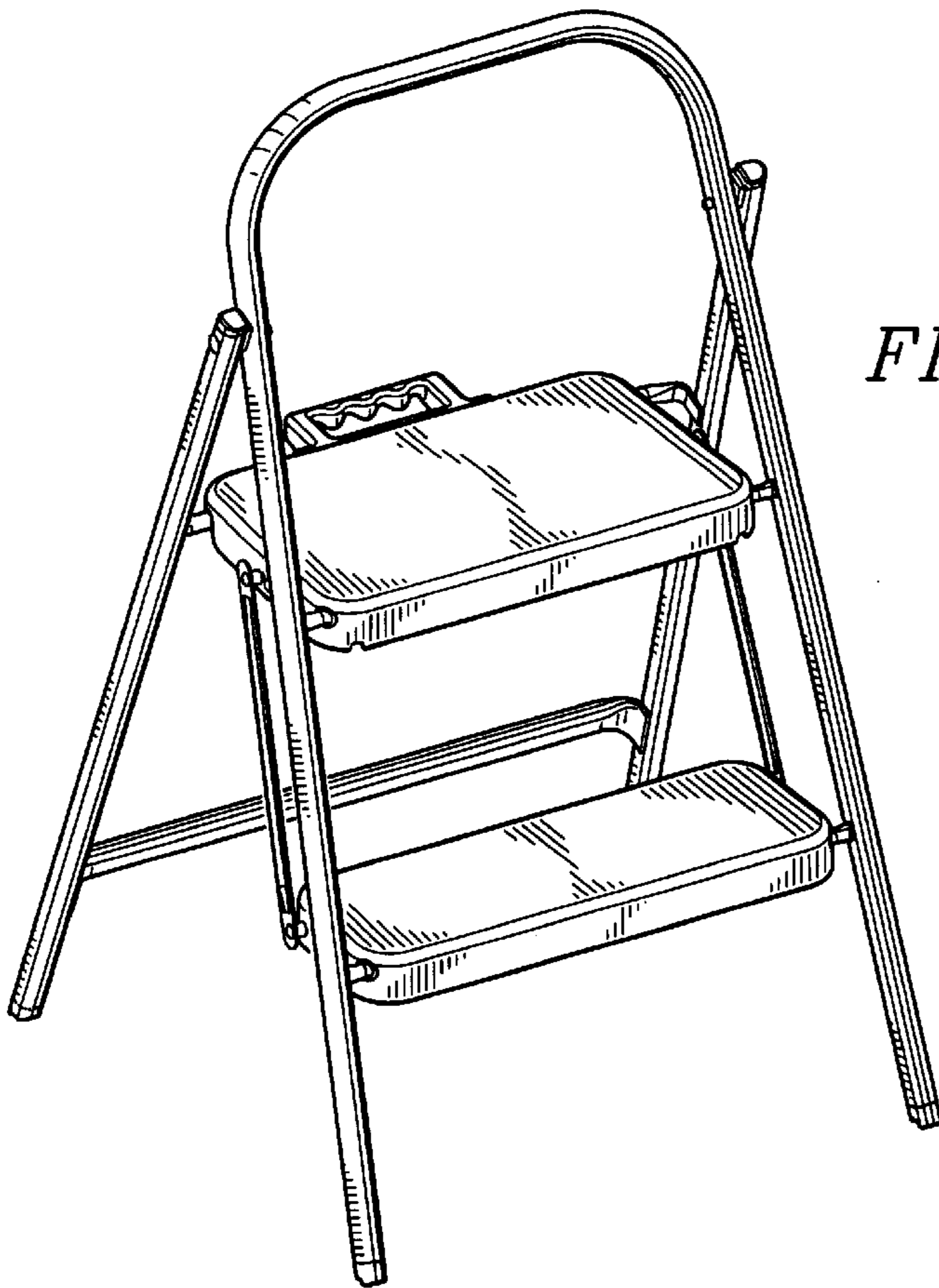


FIG. 1

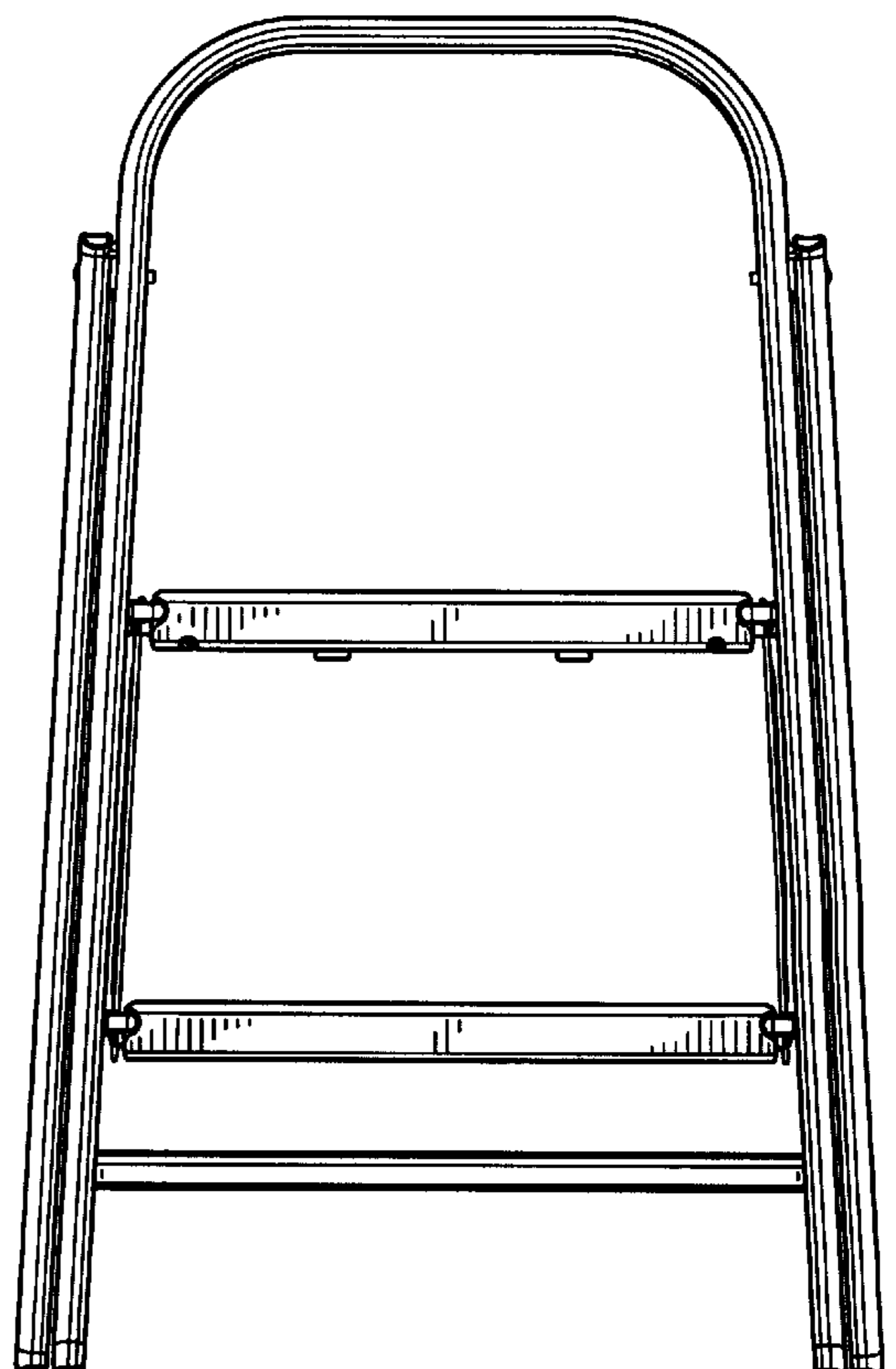


FIG. 2

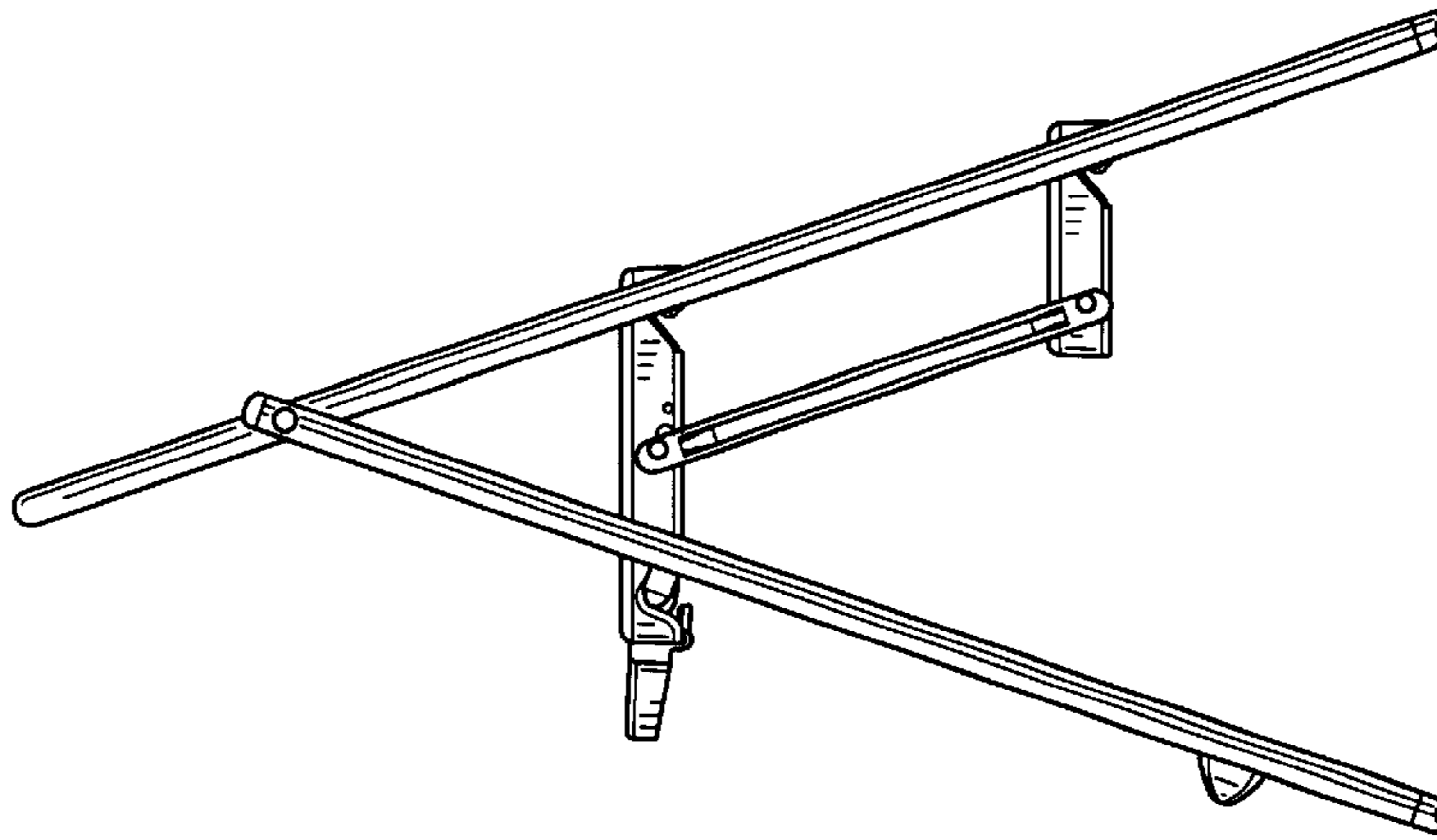


FIG. 5

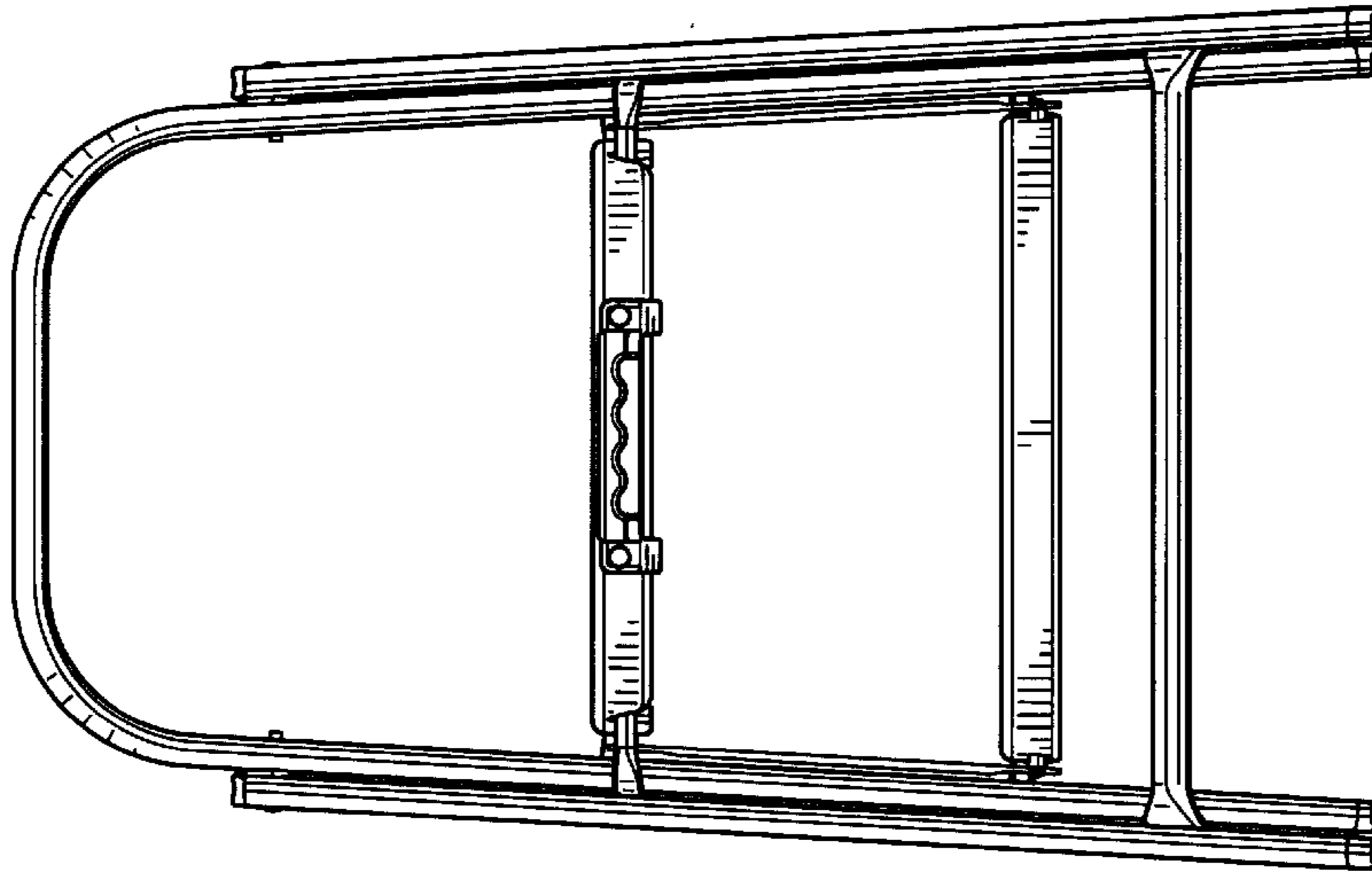


FIG. 4

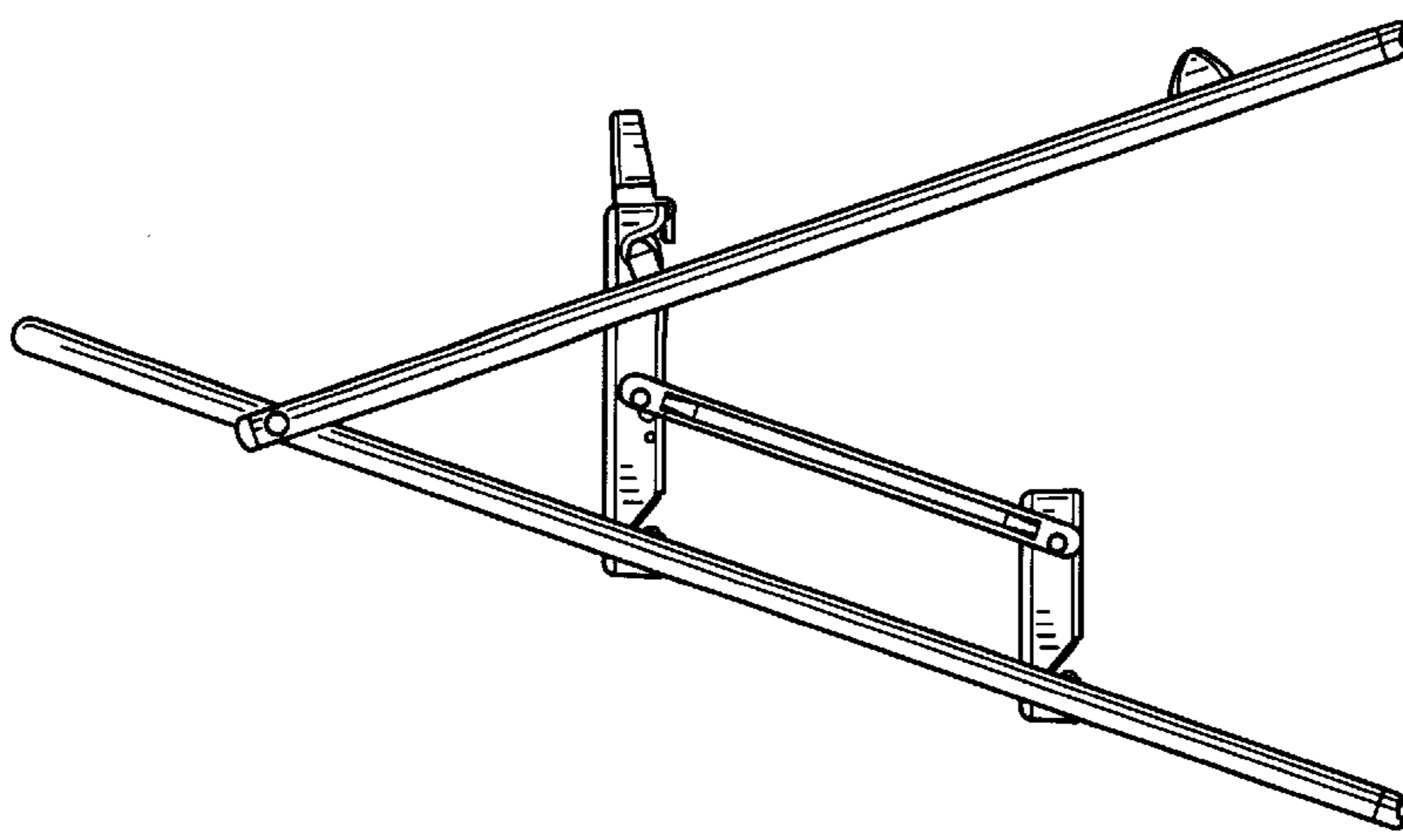


FIG. 3

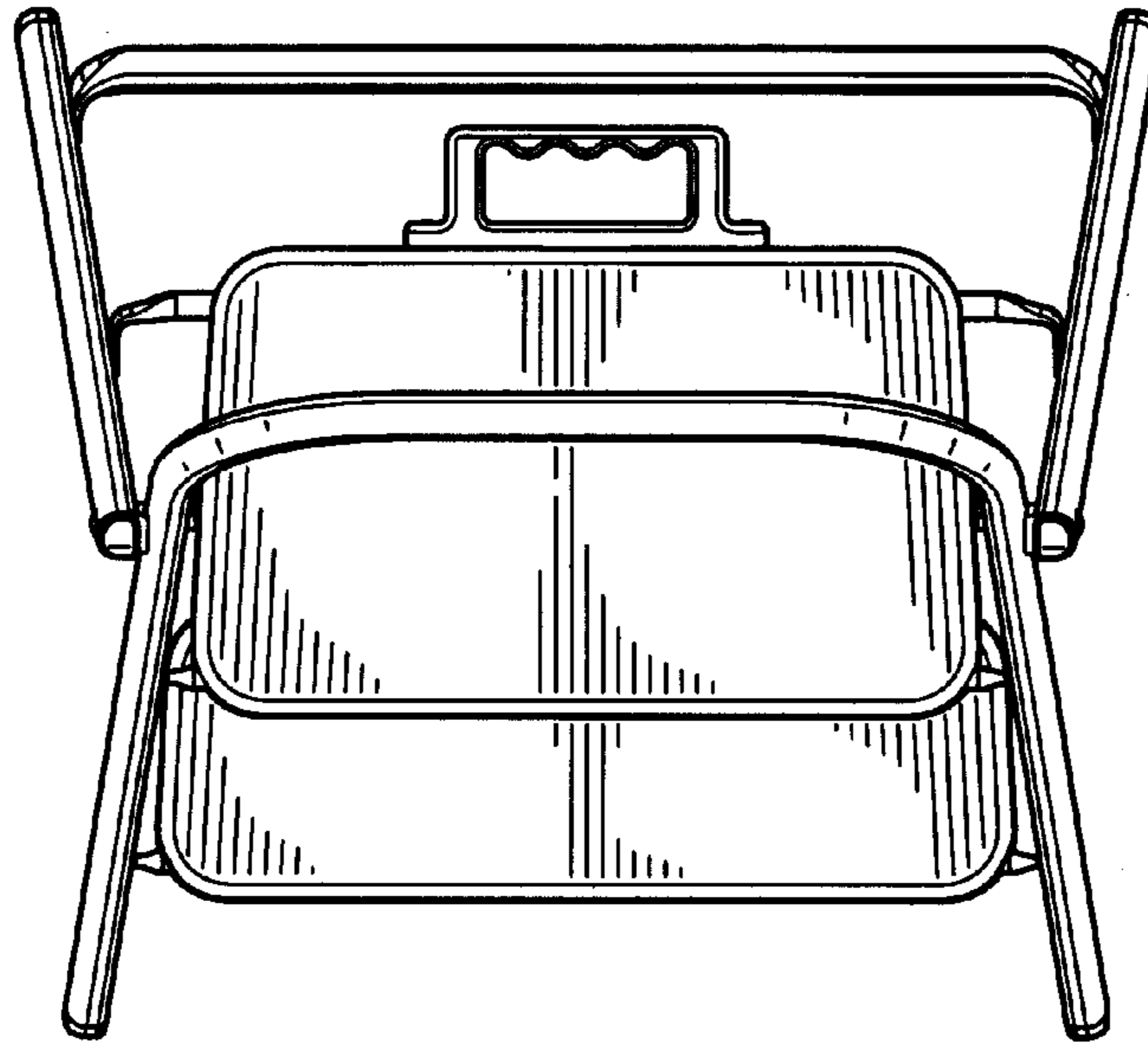


FIG. 6

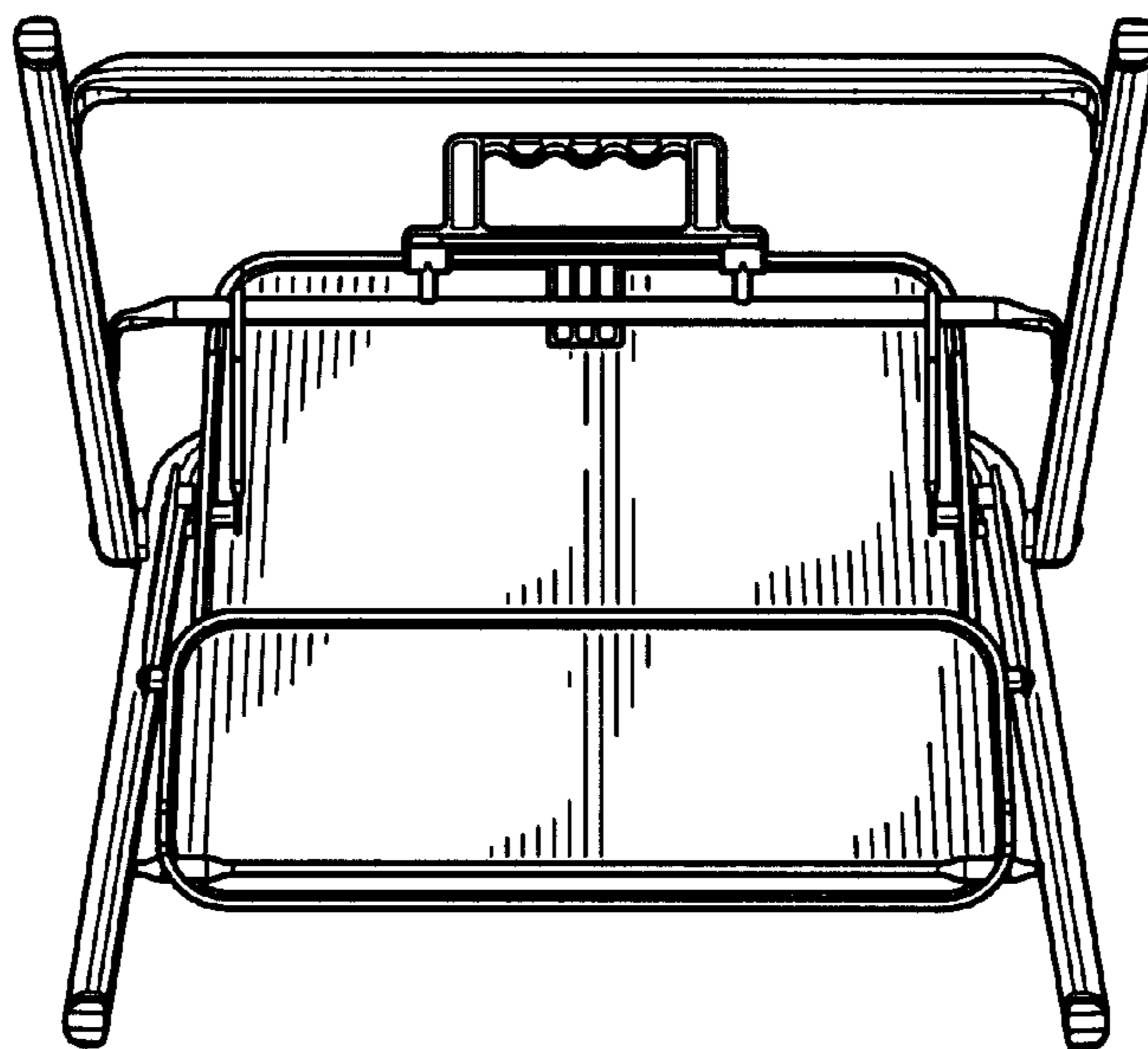


FIG. 7