



US00D447570B1

(12) **United States Design Patent**  
**Shaw et al.**

(10) **Patent No.:** **US D447,570 S**

(45) **Date of Patent:** **\*\* \*Sep. 4, 2001**

- (54) **NURSING BOTTLE HOLDER**
- (75) Inventors: **Robert W. Shaw**, Piscataway, NJ (US);  
**Paul Dowd**, Bronxville, NY (US)
- (73) Assignee: **Johnson & Johnson Consumer Companies, Inc.**, Skillman, NJ (US)
- (\* ) Notice: This patent is subject to a terminal disclaimer.
- (\*\*) Term: **14 Years**

3,071,272	1/1963	Doner .
3,145,867	8/1964	Roberts et al. .
3,762,542	10/1973	Grimes .
4,676,387	6/1987	Stephenson et al. .
4,813,556	3/1989	Lawrence .
4,925,042	5/1990	Chong .
5,509,549	4/1996	Marandola .
5,540,341	7/1996	Hadley et al. .
5,551,583	9/1996	Sachathamakul et al. .
5,588,548	12/1996	Brankley .

- (21) Appl. No.: **29/081,531**
- (22) Filed: **Jan. 5, 1998**

**Related U.S. Application Data**

- (63) Continuation-in-part of application No. 29/073,808, filed on Jul. 17, 1997, now Pat. No. Des. 414,268.
- (51) **LOC (7) Cl.** ..... **07-01**
- (52) **U.S. Cl.** ..... **D24/199**
- (58) **Field of Search** ..... D24/199, 197;  
248/102, 103, 104, 105, 106, 107; 215/11.1-11.6

(56) **References Cited**

**U.S. PATENT DOCUMENTS**

D. 138,925	9/1944	Ostrin et al. .	
D. 298,970	* 12/1988	Dirks .....	D24/199
D. 300,560	* 4/1989	Losito .....	D24/199
D. 310,417	* 9/1990	Herritz .....	D24/199
D. 315,959	* 4/1991	Bilangi .....	D24/199
D. 325,973	* 5/1992	Chen et al. ....	D24/197
D. 326,523	* 5/1992	Chen et al. ....	D24/197
D. 371,849	7/1996	Thom .	
D. 376,430	12/1996	Humphrey et al. .	
3,061,129	10/1962	FitzGerald .	

**FOREIGN PATENT DOCUMENTS**

0 061 868 A1	10/1982	(EP) .
0 414 673B1	3/1994	(EP) .
2 109 247	6/1983	(GB) .
2 277 452A	11/1994	(GB) .
WO 91/03	3/1991	(WO) .
WO 92/01435	2/1992	(WO) .
WO 92/14437	9/1992	(WO) .

\* cited by examiner

*Primary Examiner*—Stella Reid

(74) *Attorney, Agent, or Firm*—Michele G. Mangini

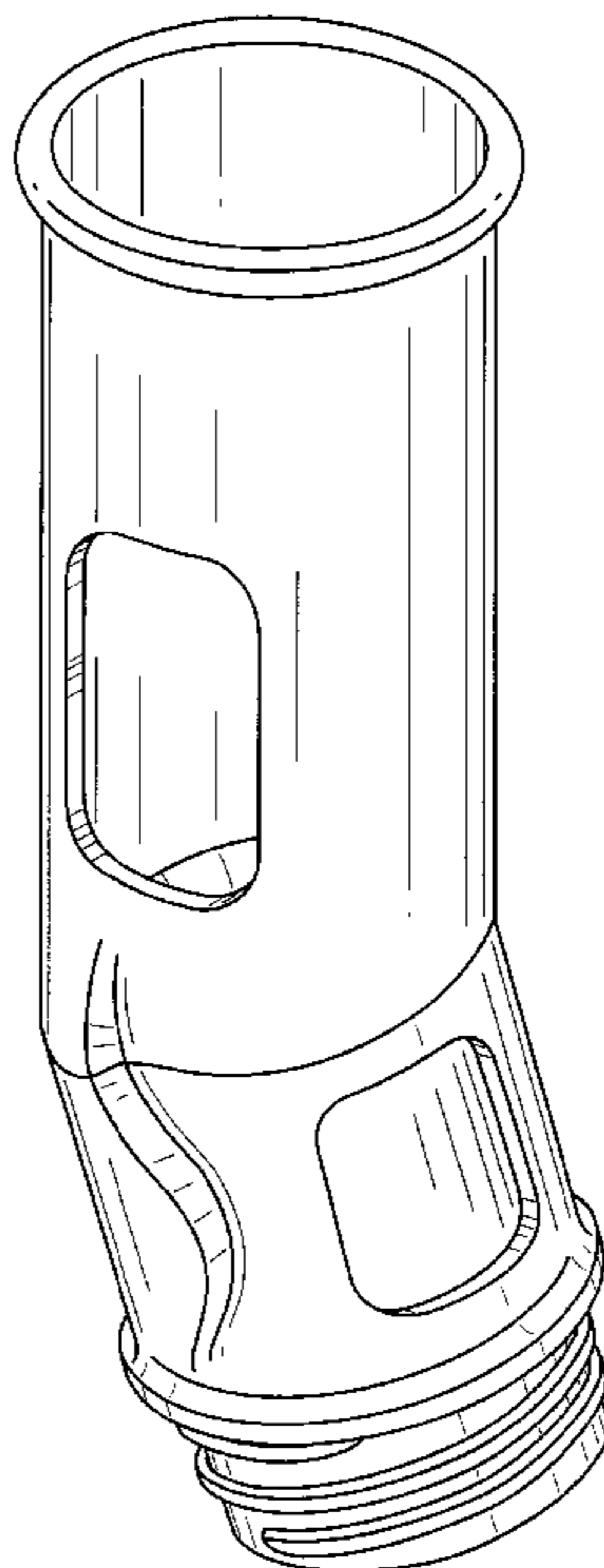
(57) **CLAIM**

The ornamental design for a nursing bottle holder, as shown and described.

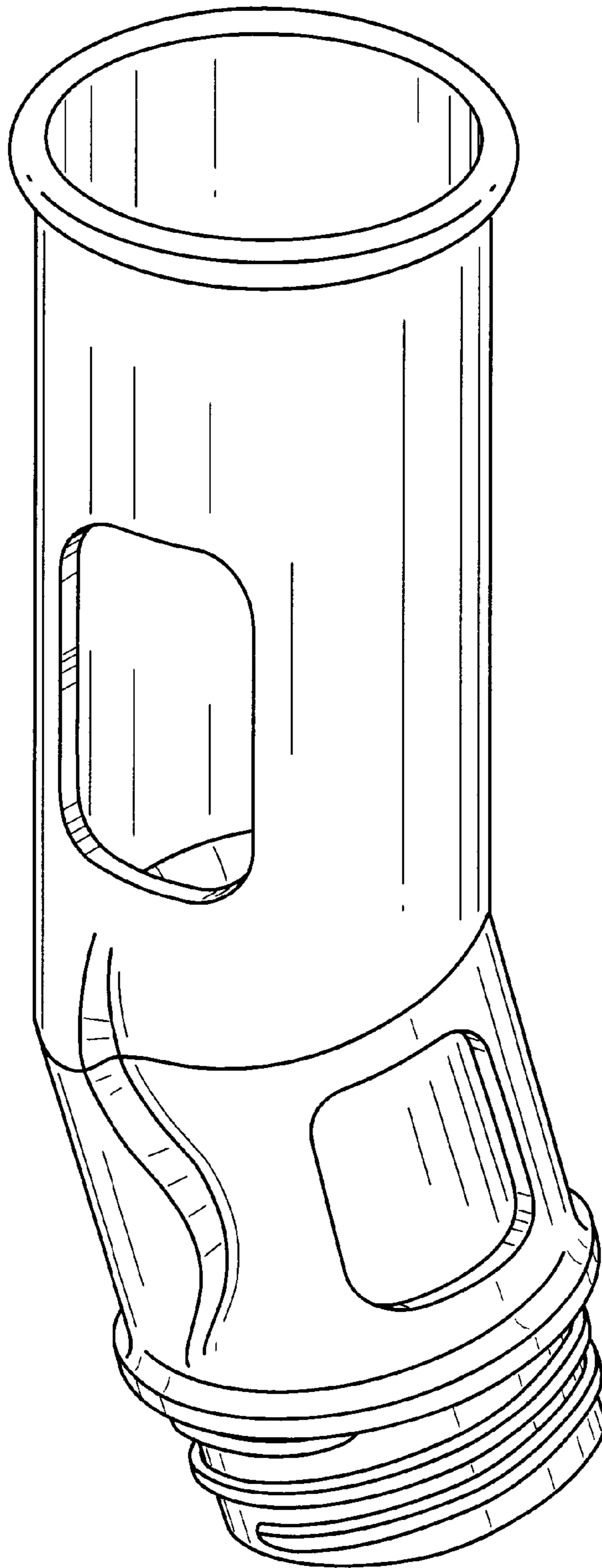
**DESCRIPTION**

FIG. 1 is a perspective view of the nursing bottle holder showing our new design;  
 FIG. 2 is a front elevational view thereof;  
 FIG. 3 is a side elevational view thereof, the opposite side being a mirror image;  
 FIG. 4 is a rear elevational view thereof;  
 FIG. 5 is a top plan view thereof; and,  
 FIG. 6 is a bottom plan view thereof.

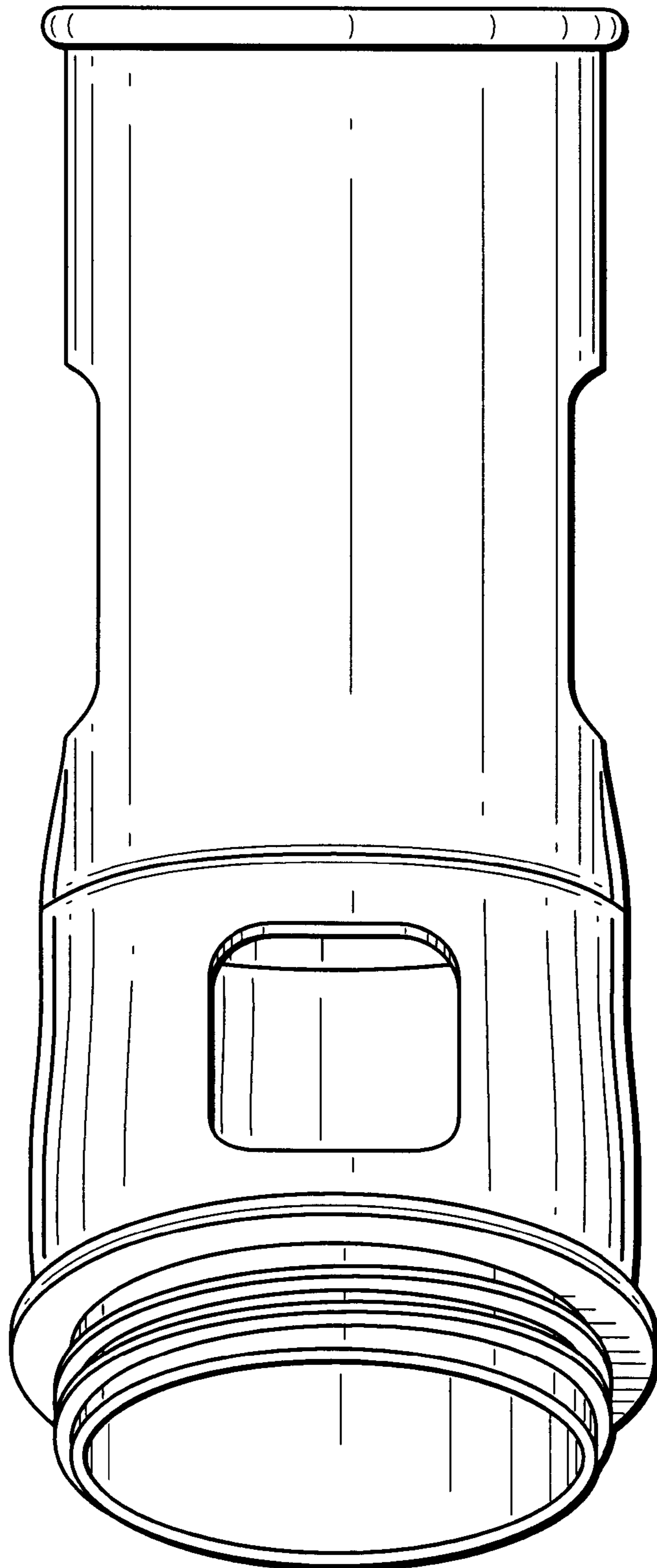
**1 Claim, 5 Drawing Sheets**



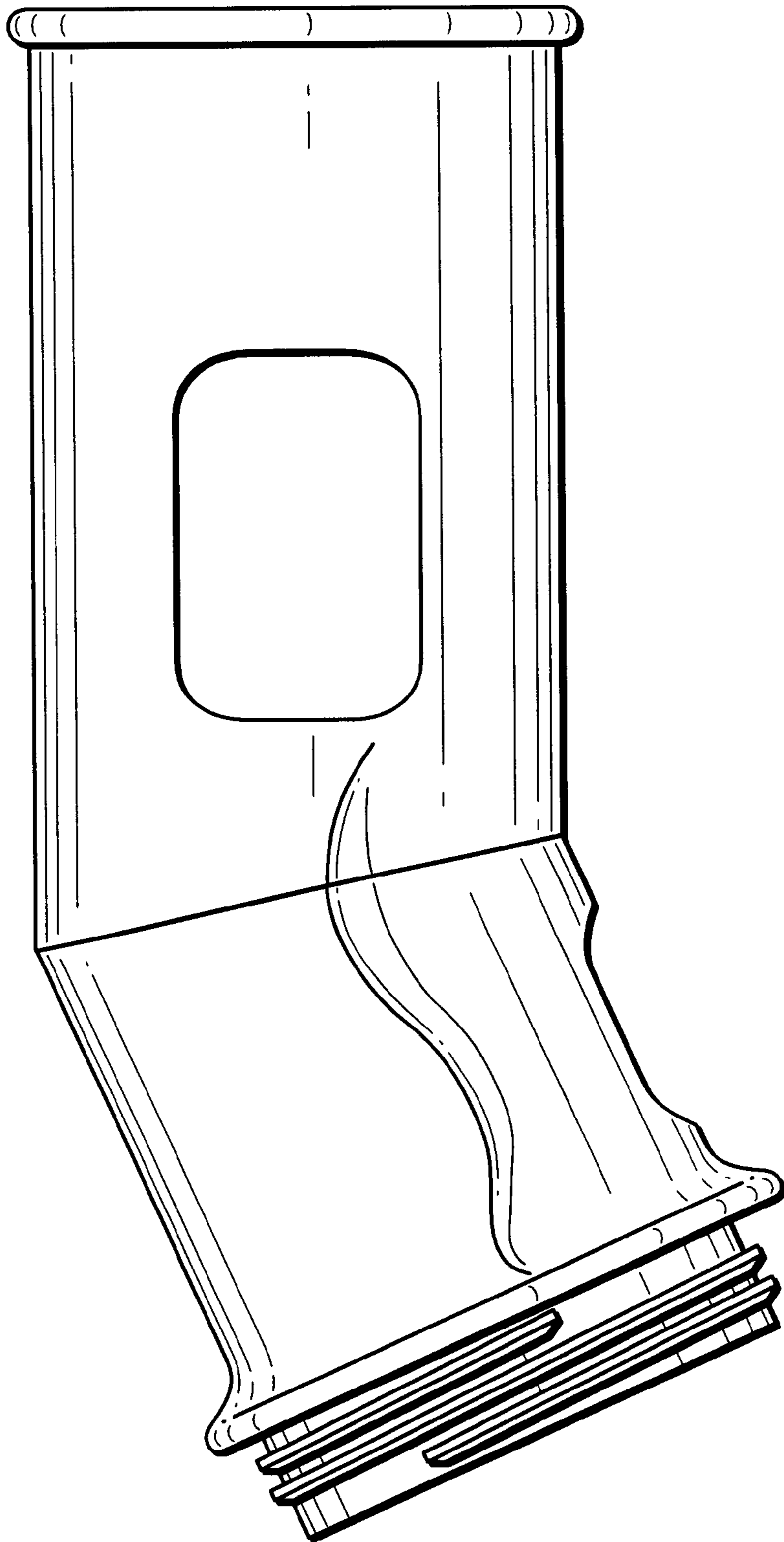
**FIG. 1**



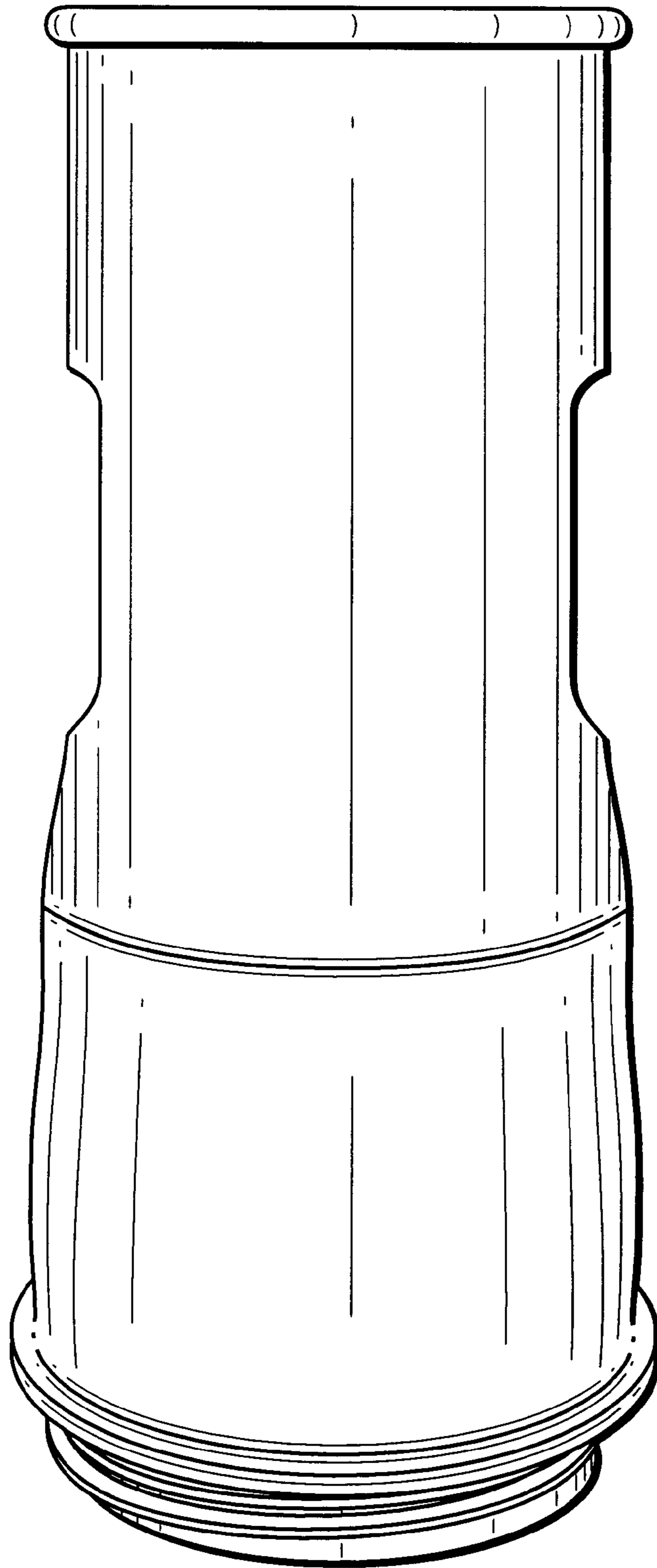
**FIG. 2**



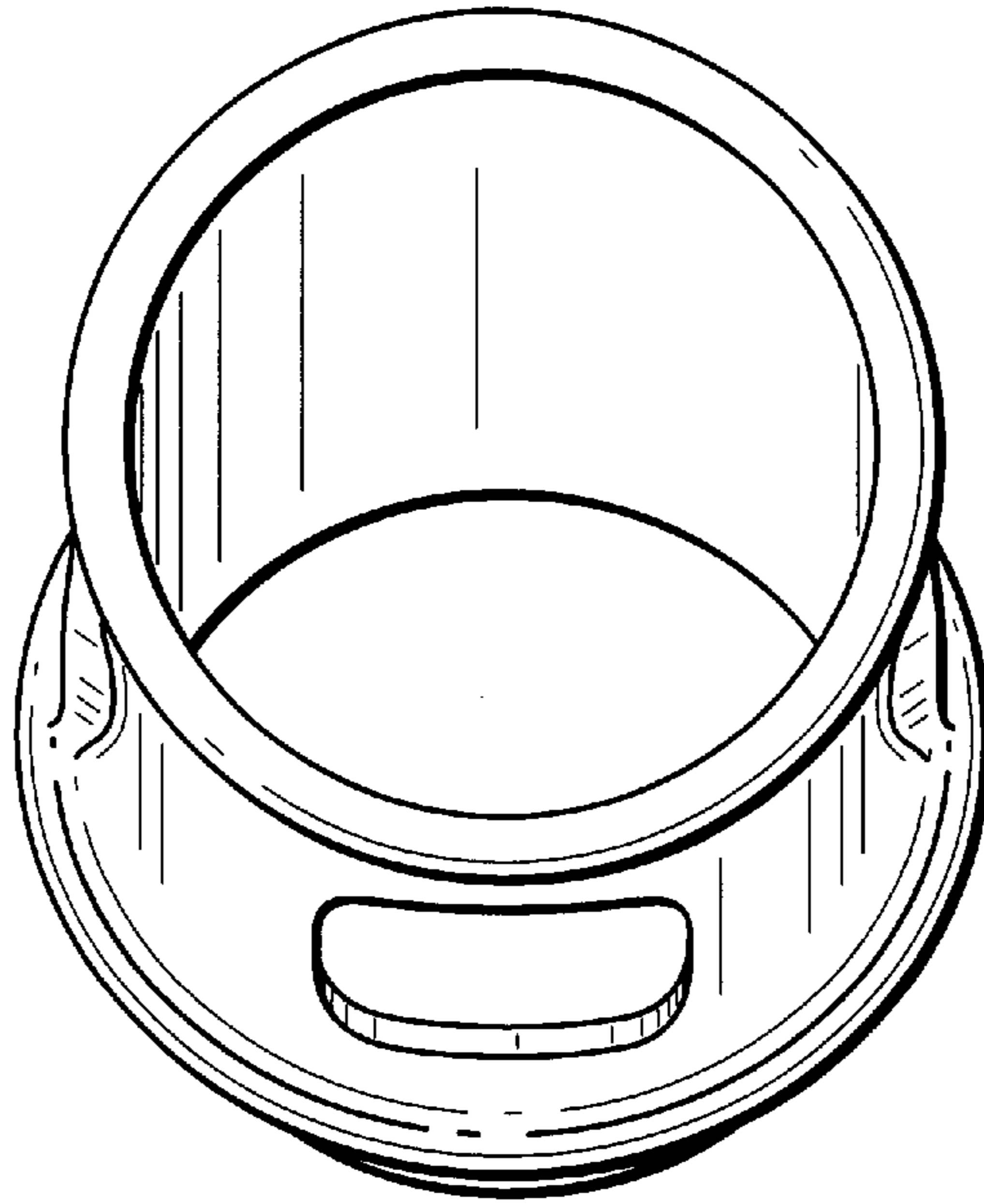
**FIG. 3**



**FIG. 4**



**FIG. 5**



**FIG. 6**

