



US00D447569B1

(12) **United States Design Patent**  
**Baily et al.**

(10) **Patent No.:** **US D447,569 S**

(45) **Date of Patent:** **\*\* Sep. 4, 2001**

(54) **MEDICAL DEVICE CASING**

4,889,131 \* 12/1989 Salem et al. .... 128/671  
5,865,733 \* 2/1999 Malinouskas et al. .... 600/300  
6,093,151 \* 7/2000 Shine et al. .... 600/485

(75) Inventors: **Greg Baily; John Albert Davis Iles,**  
both of Cardiff (GB)

\* cited by examiner

(73) Assignee: **Huntleigh Technology, PLC,** Luton  
(GB)

*Primary Examiner*—Stella Reid

(\*\*) Term: **14 Years**

(74) *Attorney, Agent, or Firm*—Brown Raysman Millstein  
Felder & Steiner LLP

(21) Appl. No.: **29/115,518**

(57) **CLAIM**

(22) Filed: **Dec. 15, 1999**

The ornamental design for a medical device casing, as  
shown and described.

(30) **Foreign Application Priority Data**

**DESCRIPTION**

Jun. 16, 1999 (GB) ..... 2084157

FIG. 1 is a front elevational view of a medical device casing,  
showing our new design;

(51) **LOC (7) Cl.** ..... **24-01**

FIG. 2 is a back elevational view thereof;

(52) **U.S. Cl.** ..... **D24/186**

FIG. 3 is a front, top and side perspective view thereof;

(58) **Field of Search** ..... D24/165, 167,  
D24/169, 186; 600/300, 453, 481, 483,  
485, 511

FIG. 4 is a back, bottom and side perspective view thereof,  
opposite that shown in FIG. 3;

FIG. 5 is a side elevational view thereof;

(56) **References Cited**

FIG. 6 is a side elevational view thereof, opposite that shown  
in FIG. 5;

**U.S. PATENT DOCUMENTS**

FIG. 7 is a top end view thereof; and,

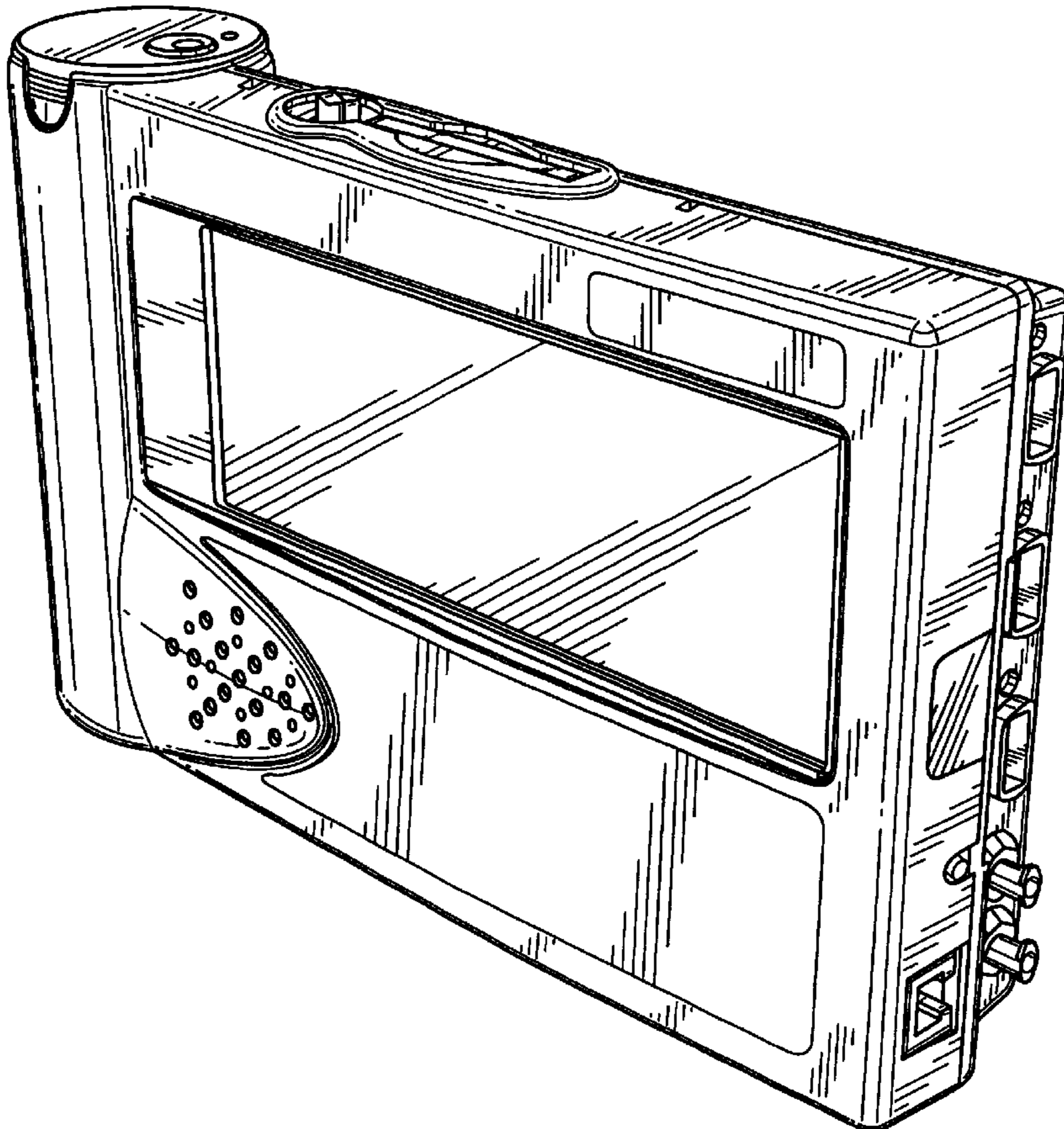
D. 372,977 \* 8/1996 Bishay ..... D24/167

FIG. 8 is a bottom end view of thereof.

D. 392,043 \* 3/1998 Cooper et al. .... D24/186

D. 414,870 \* 10/1999 Saltzstein et al. .... D24/186

**1 Claim, 7 Drawing Sheets**



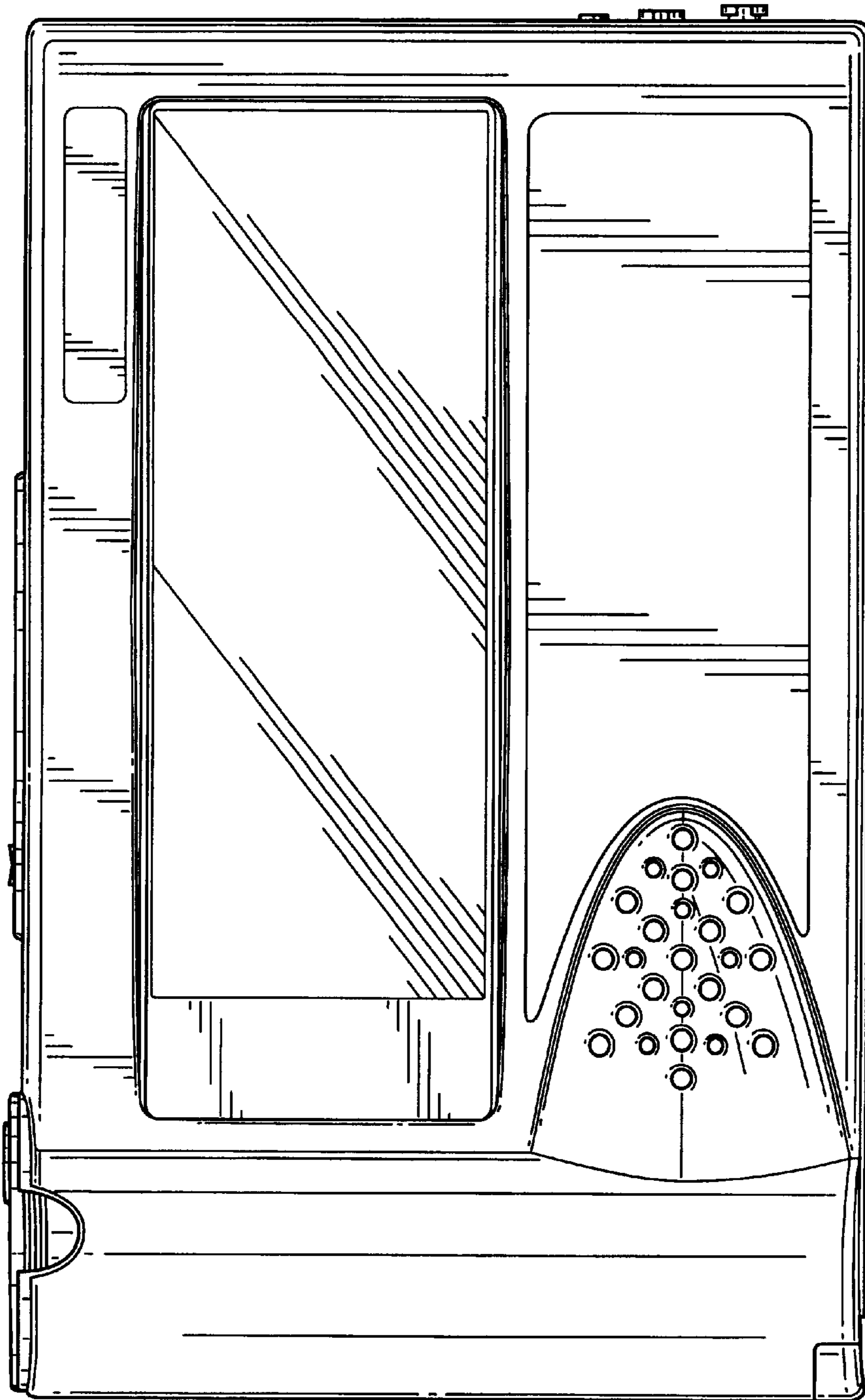


FIG. 1

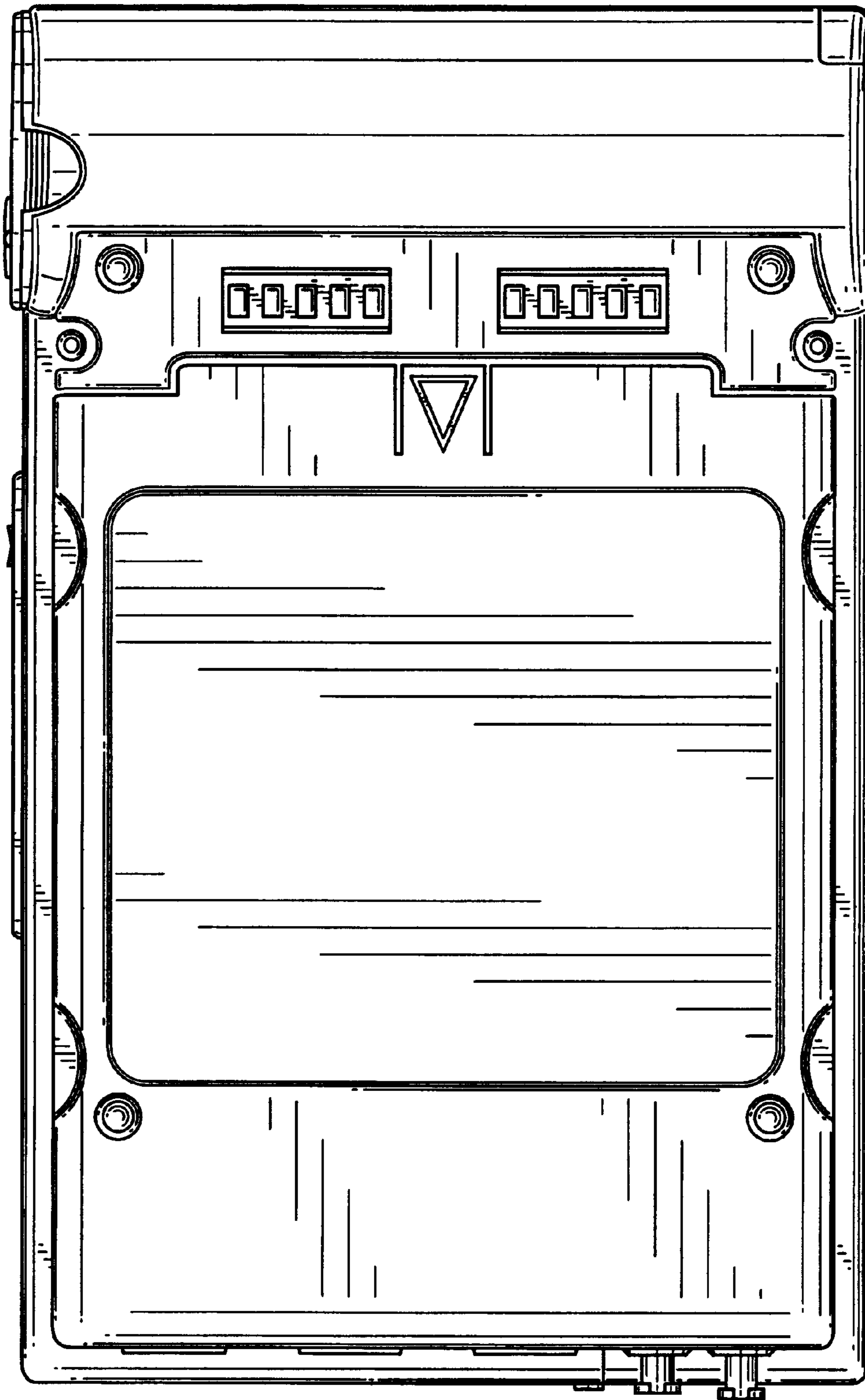


FIG. 2

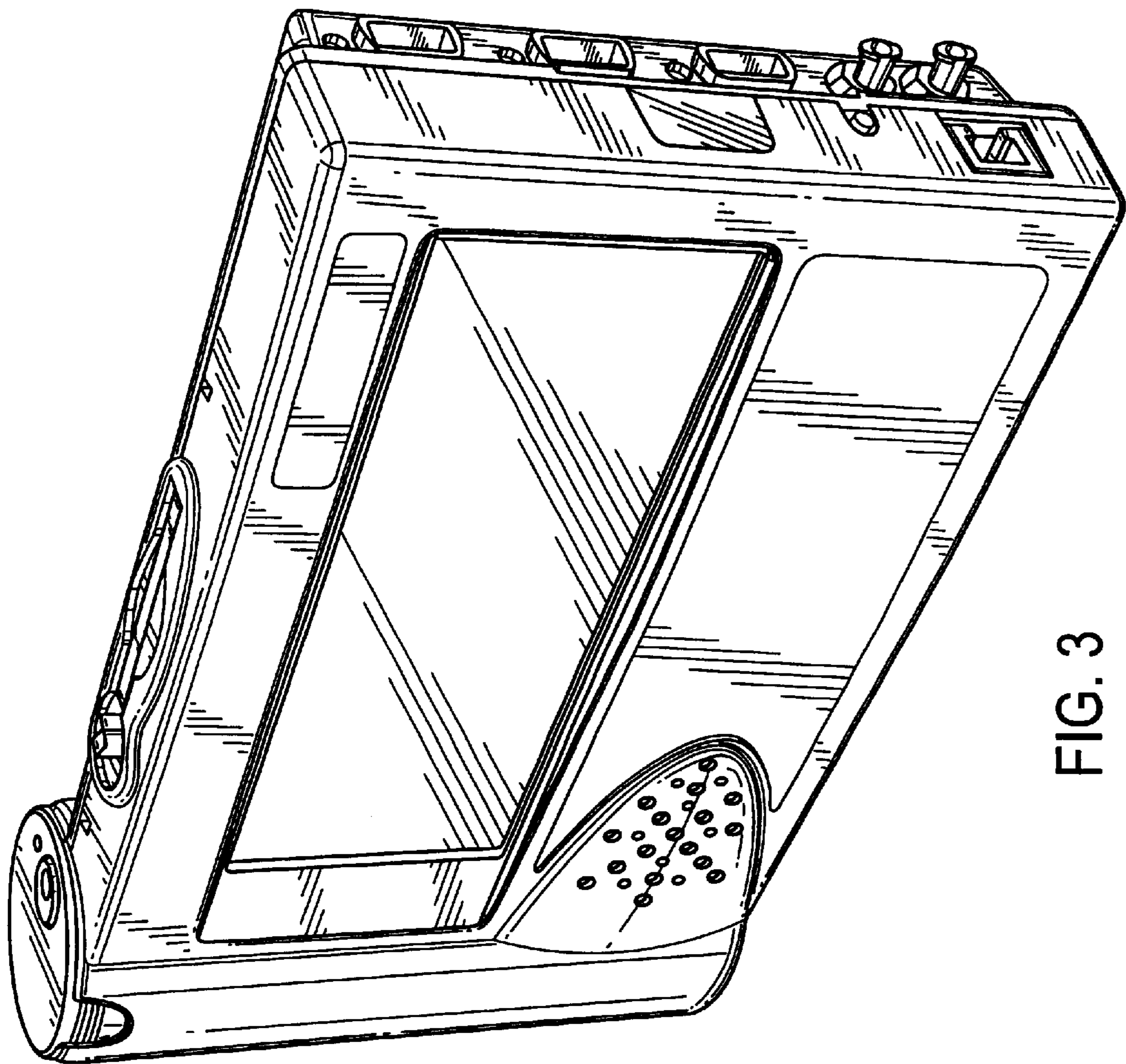


FIG. 3

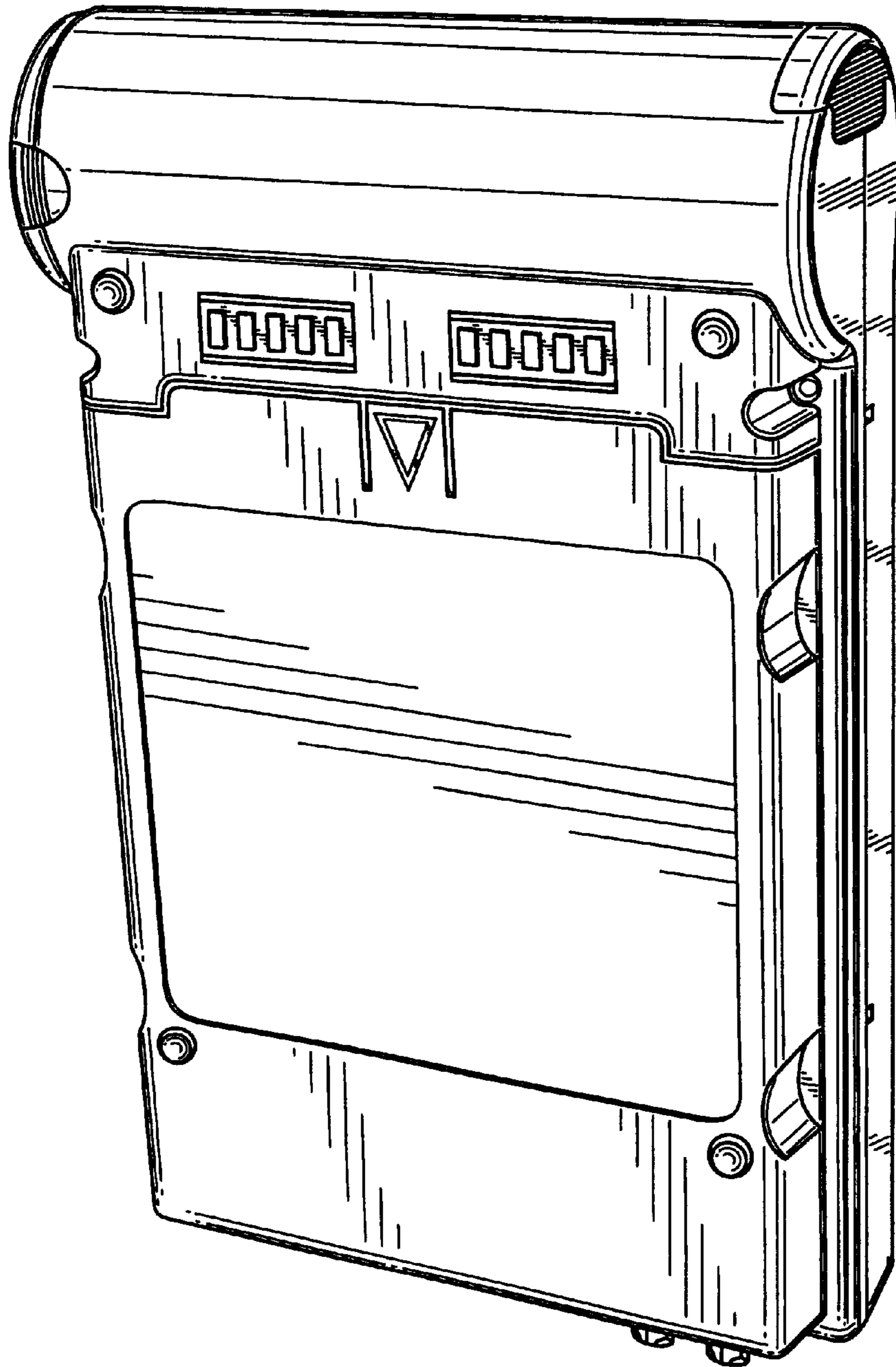


FIG. 4

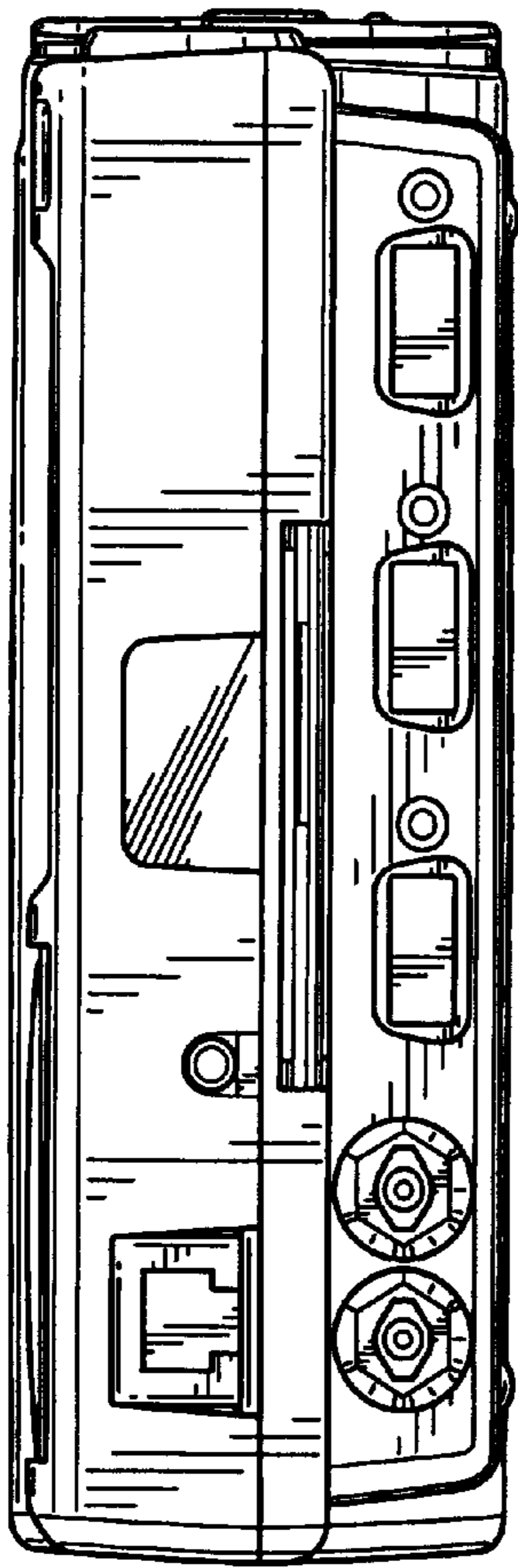


FIG. 5

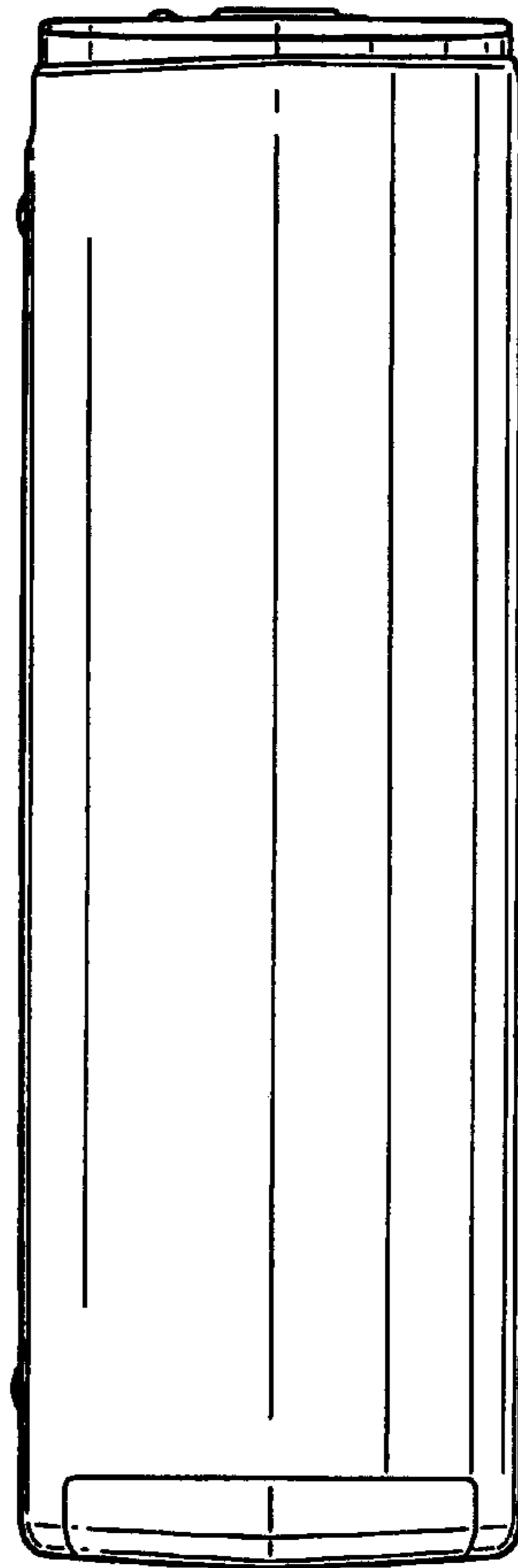


FIG. 6

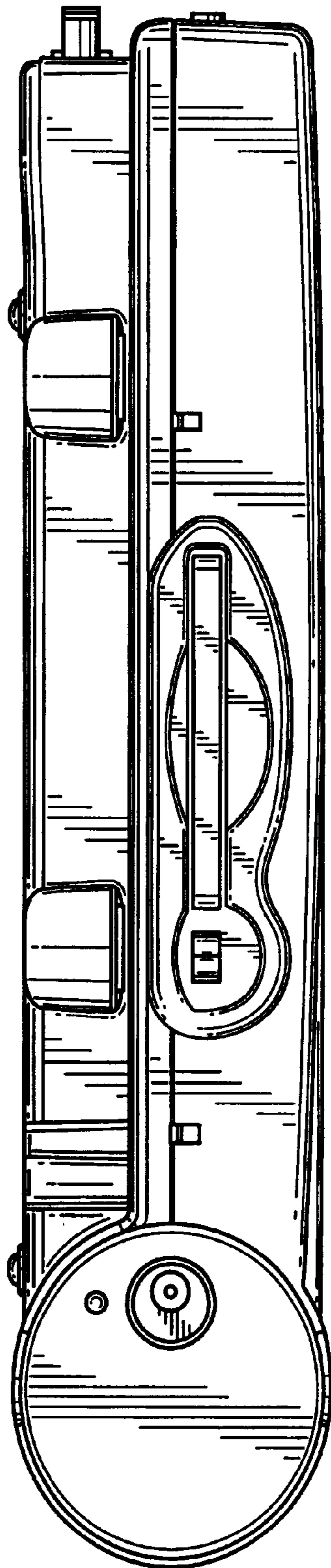


FIG. 7

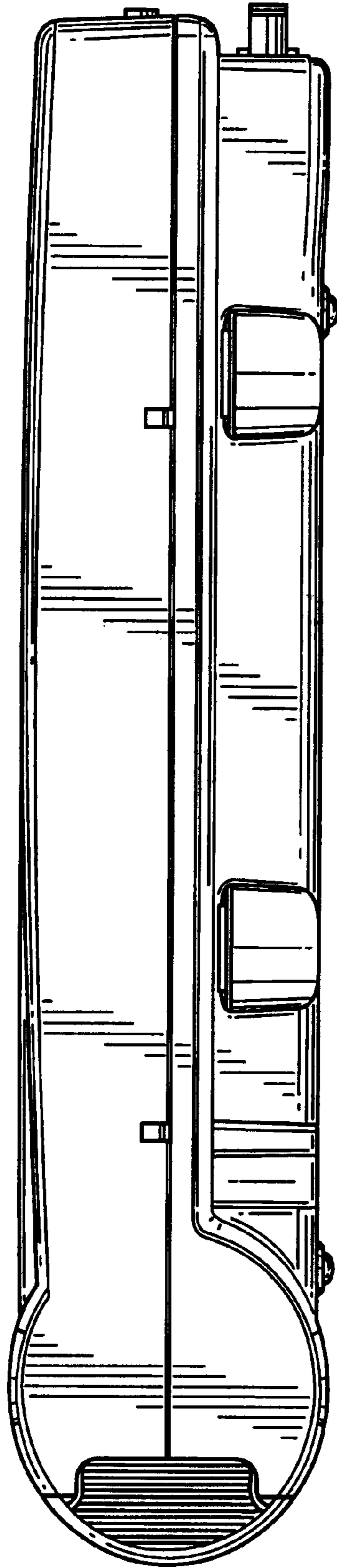


FIG. 8